

US00D498373S

(12) **United States Design Patent**  
**Hong**

(10) **Patent No.:** **US D498,373 S**

(45) **Date of Patent:** **\*\* Nov. 16, 2004**

(54) **TABLE**

(76) **Inventor:** **Jae Hyun Hong**, 14065 Stage Rd.  
Bloomfield Commerce Center, Santa Fe  
Springs, CA (US) 90670

(\*\*) **Term:** **14 Years**

(21) **Appl. No.:** **29/189,539**

(22) **Filed:** **Sep. 8, 2003**

(51) **LOC (7) Cl.** ..... **06-03**

(52) **U.S. Cl.** ..... **D6/484**

(58) **Field of Search** ..... D6/480-489, 495,  
D6/499, 497, 451, 429; 108/150, 153.1,  
155, 156, 157.1, 33, 161, 25; 248/188,  
188.1, 188.8

(56) **References Cited**

**U.S. PATENT DOCUMENTS**

3,875,873 A	*	4/1975	Howitt	.....	108/25
D350,040 S	*	8/1994	Magnusson	.....	D6/484
D382,144 S	*	8/1997	Lo	.....	D6/480
D395,772 S	*	7/1998	Malvasi	.....	D6/480

\* cited by examiner

*Primary Examiner*—Janice E. Seeger

(74) *Attorney, Agent, or Firm*—Park & Sutton LLP; John K. Park

(57) **CLAIM**

The ornamental design for a table, as shown and described.

**DESCRIPTION**

FIG. 1 is a first perspective view of a first embodiment of my new design;

FIG. 2 is a second perspective view of the embodiment shown in FIG. 1;

FIG. 3 is a top plan view of FIG. 1;

FIG. 4 is a bottom plan view of FIG. 1;

FIG. 5 is a first side elevational view of FIG. 1;

FIG. 6 is a second side elevational view of FIG. 1;

FIG. 7 is a second perspective view of a second embodiment of my new design;

FIG. 8 is a second perspective view of in FIG. 7;

FIG. 9 is a top plan view of FIG. 7;

FIG. 10 is a bottom plan view of FIG. 7;

FIG. 11 is a first side elevational view of FIG. 7; and,

FIG. 12 is a second side elevational view of FIG. 7.

**1 Claim, 12 Drawing Sheets**

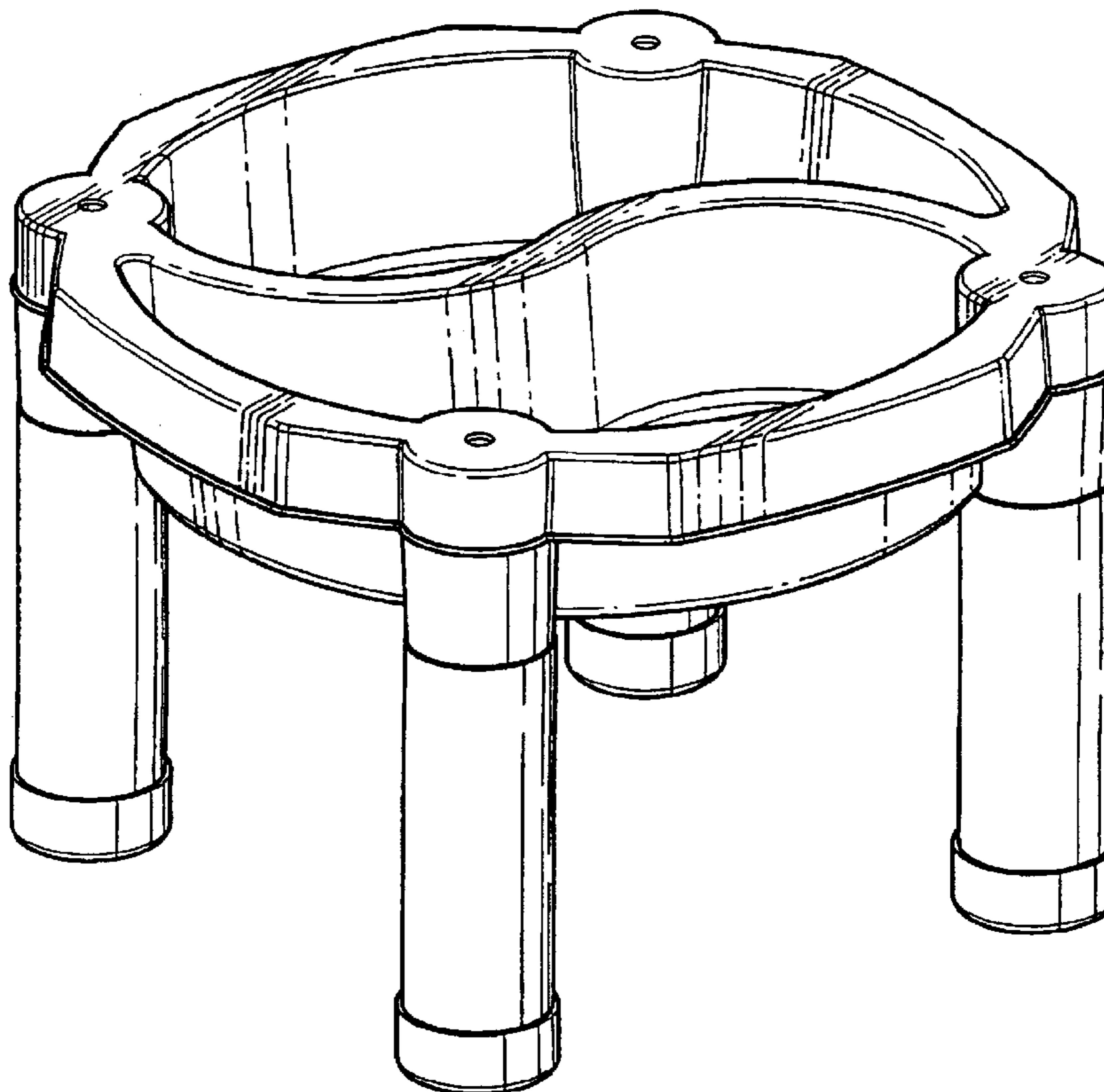


Fig. 1

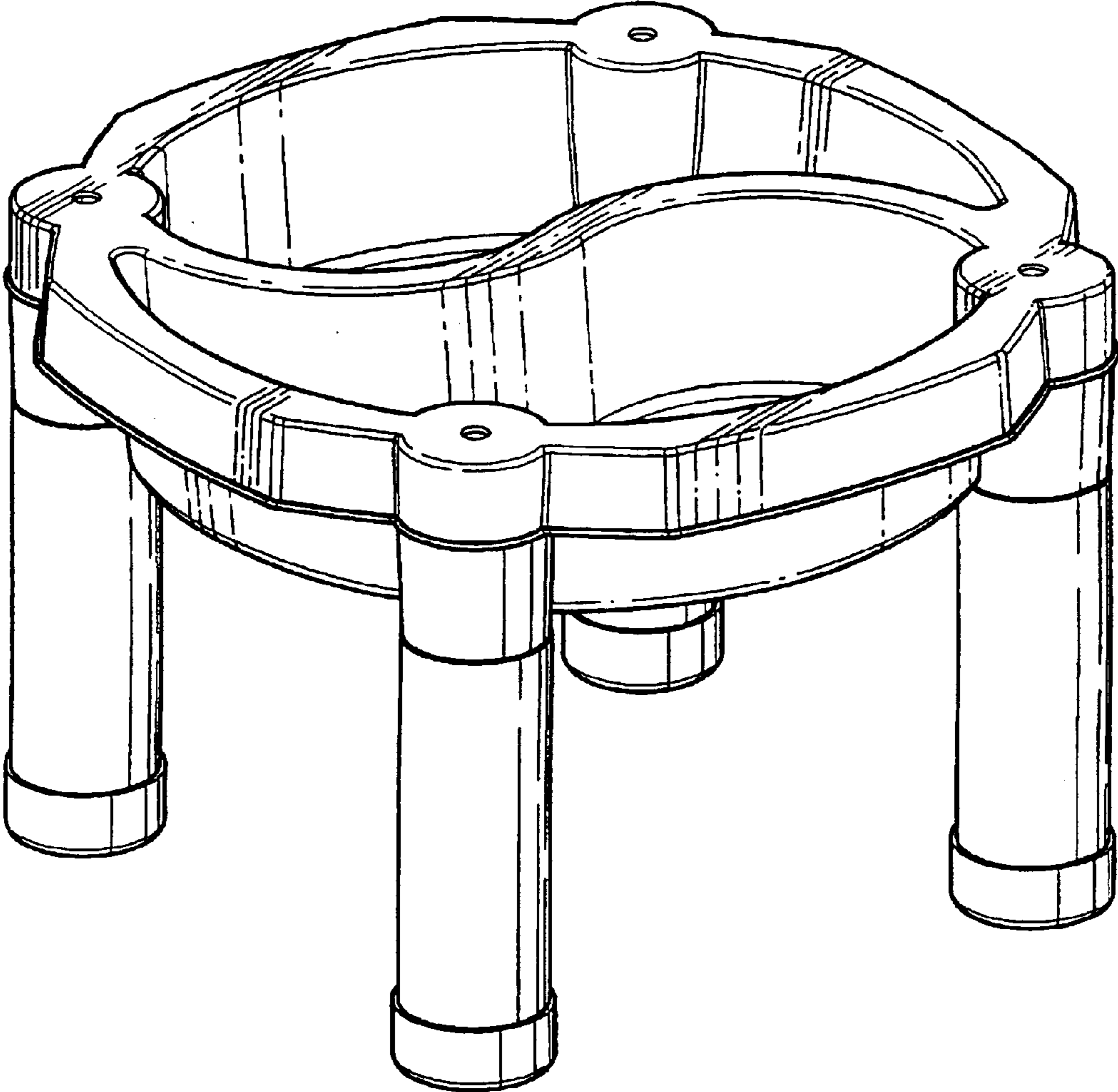


Fig. 2

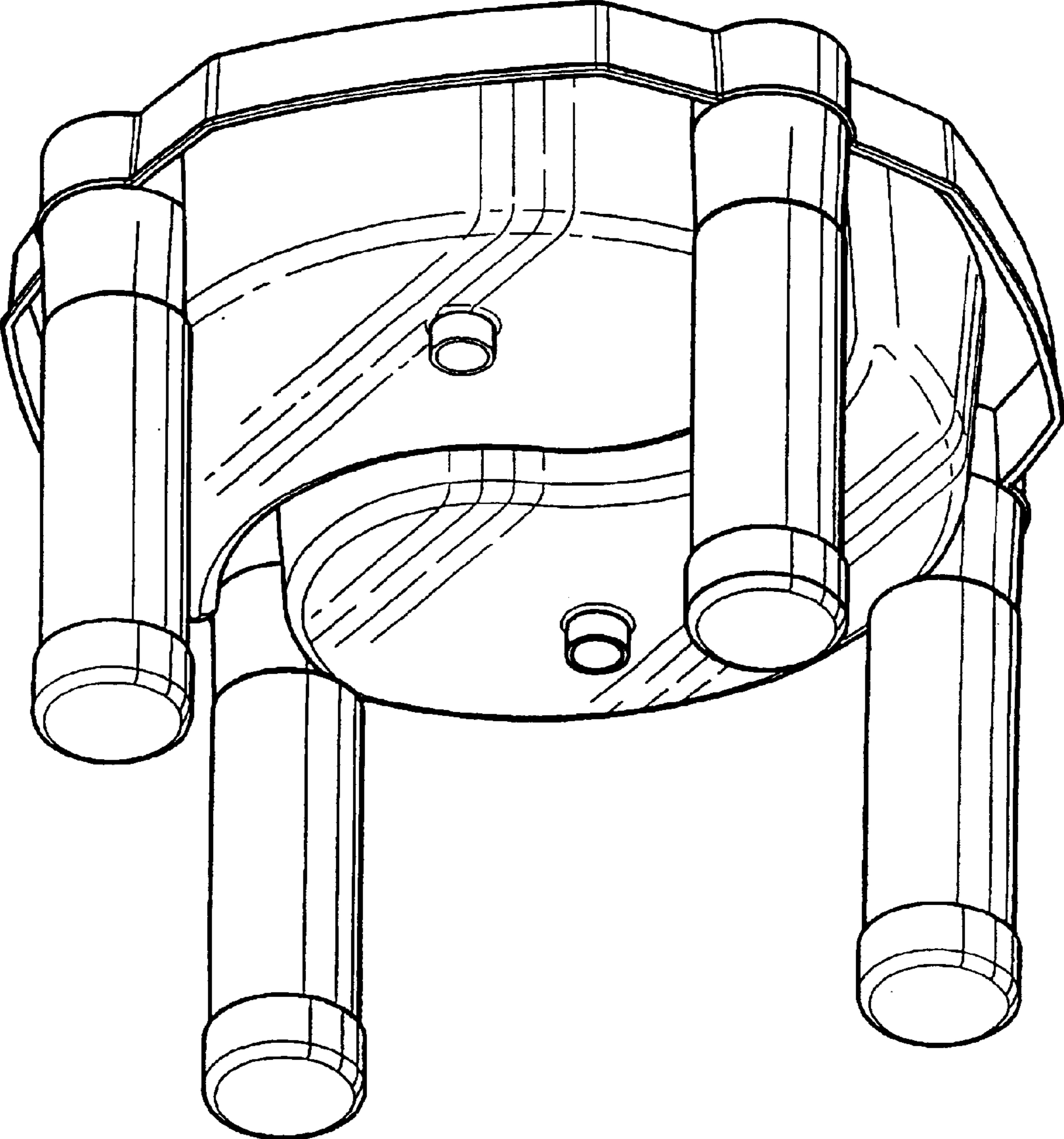


Fig. 3

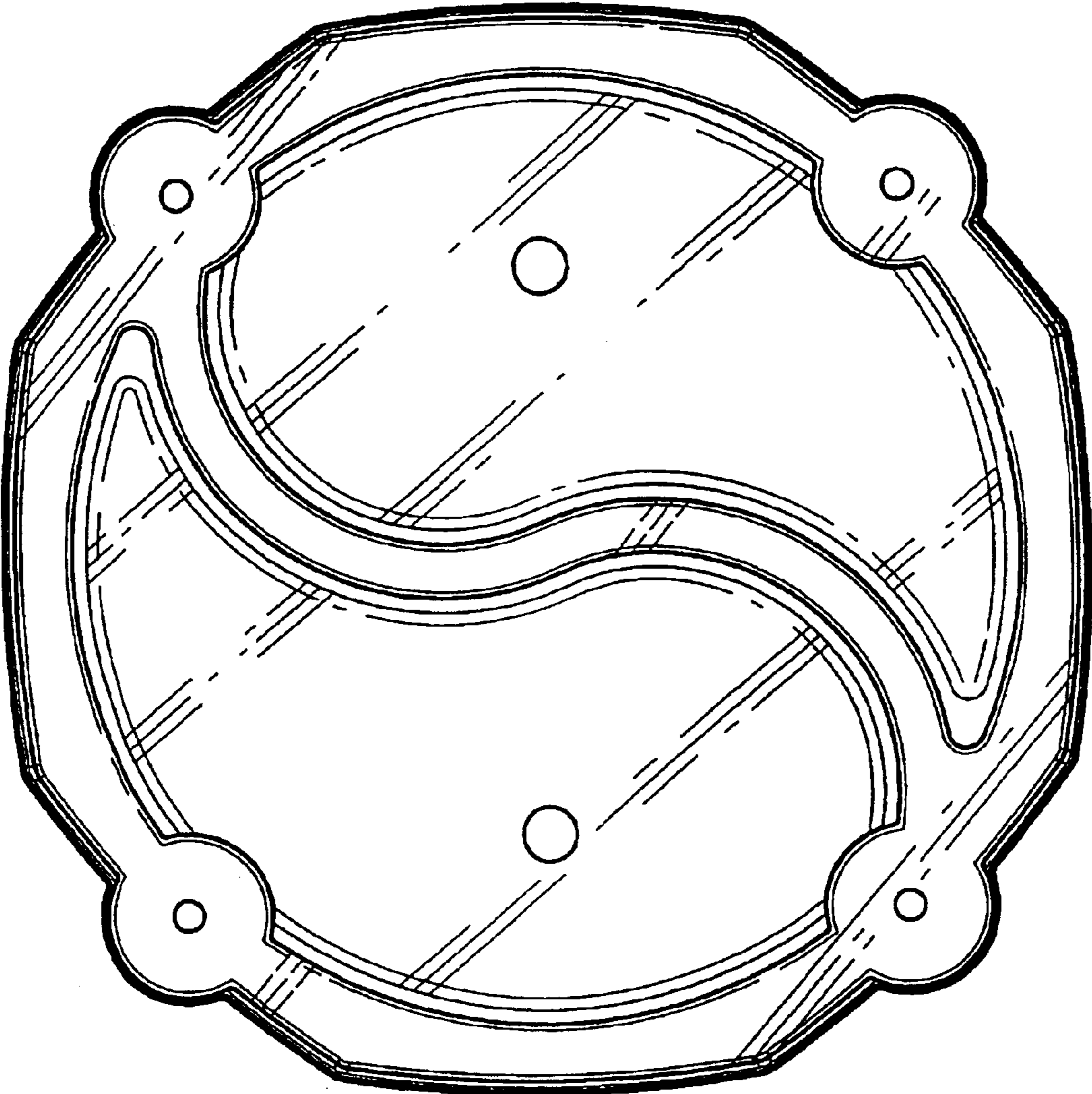


Fig. 4

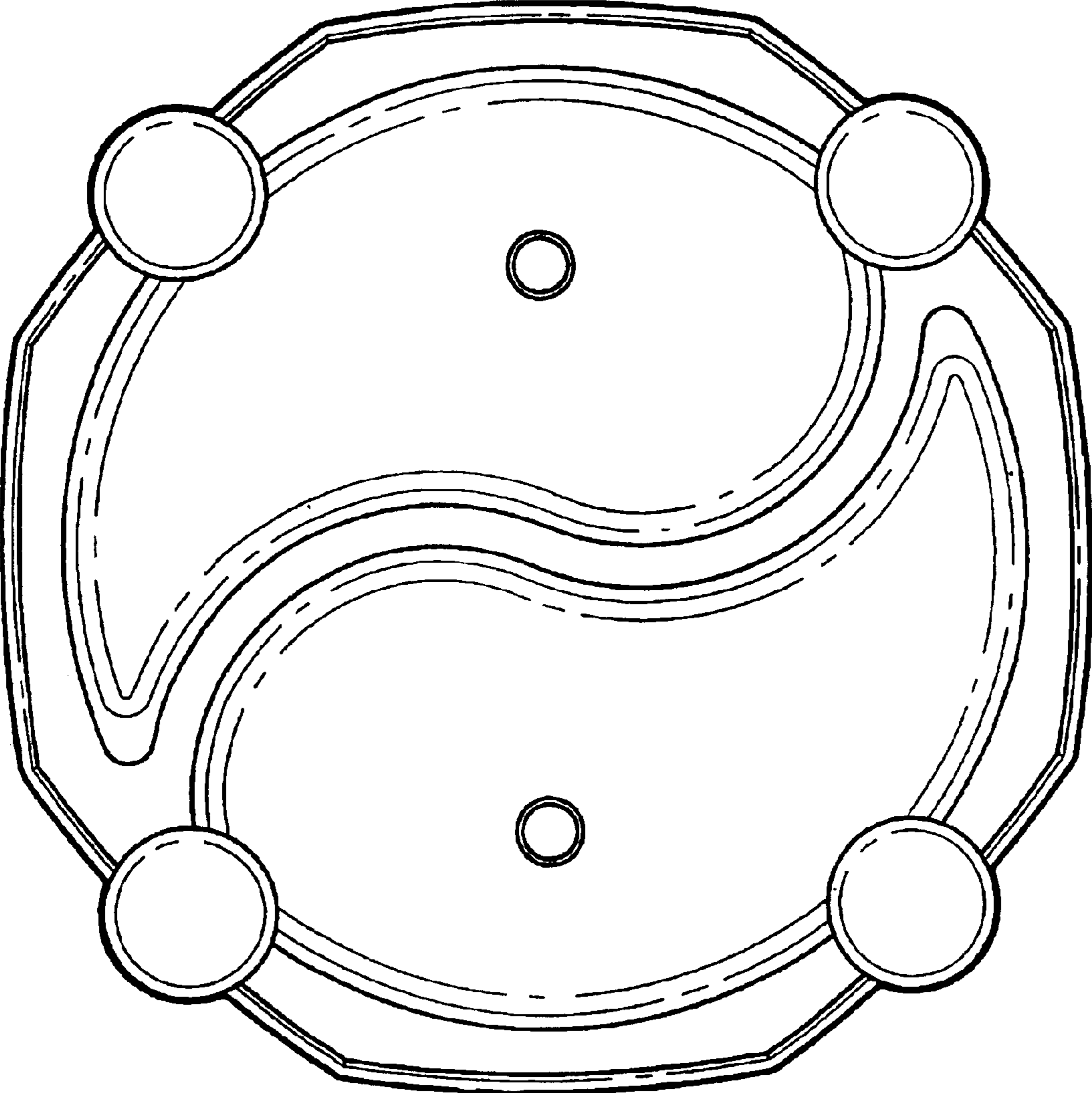


Fig. 5

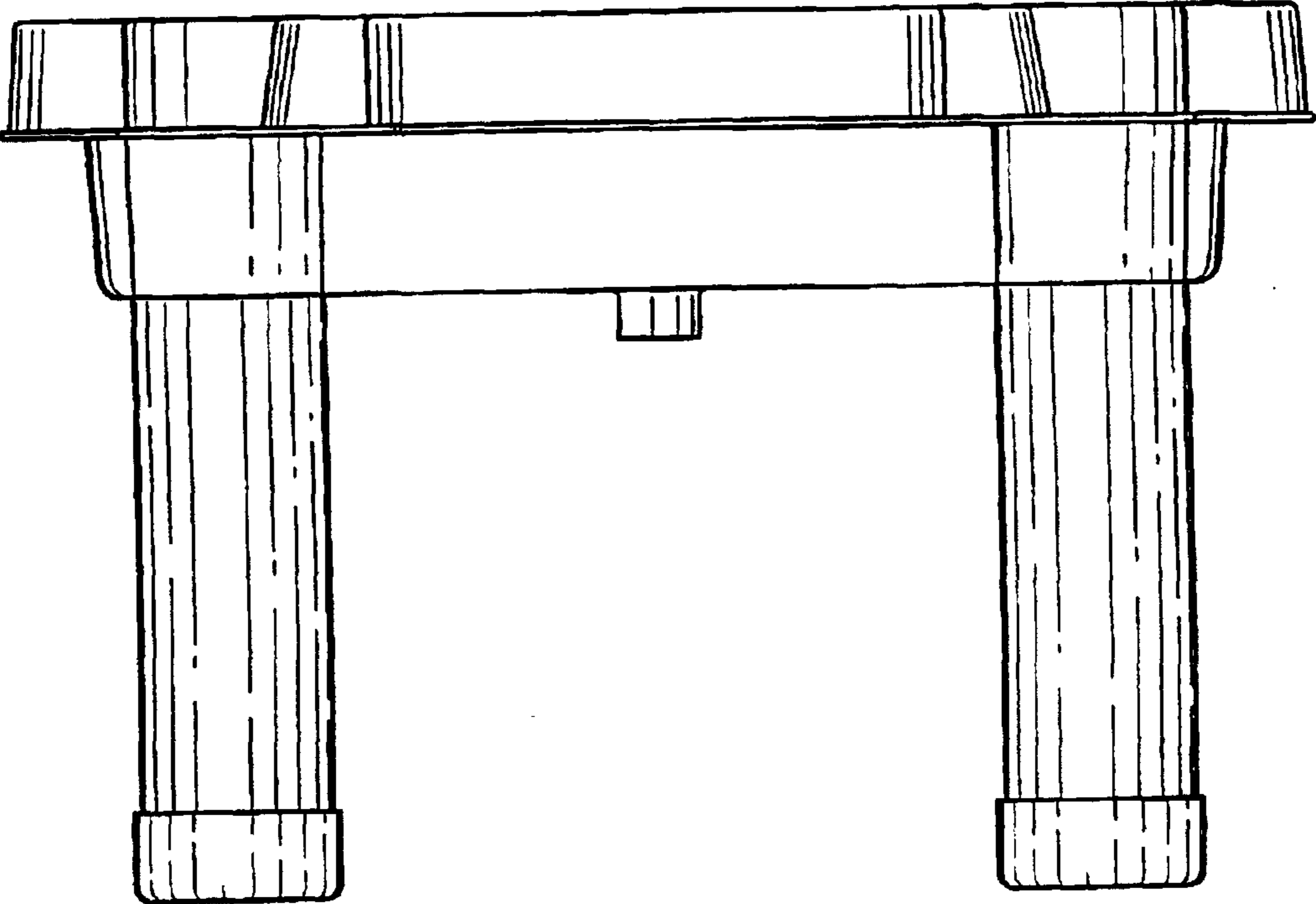


Fig. 6

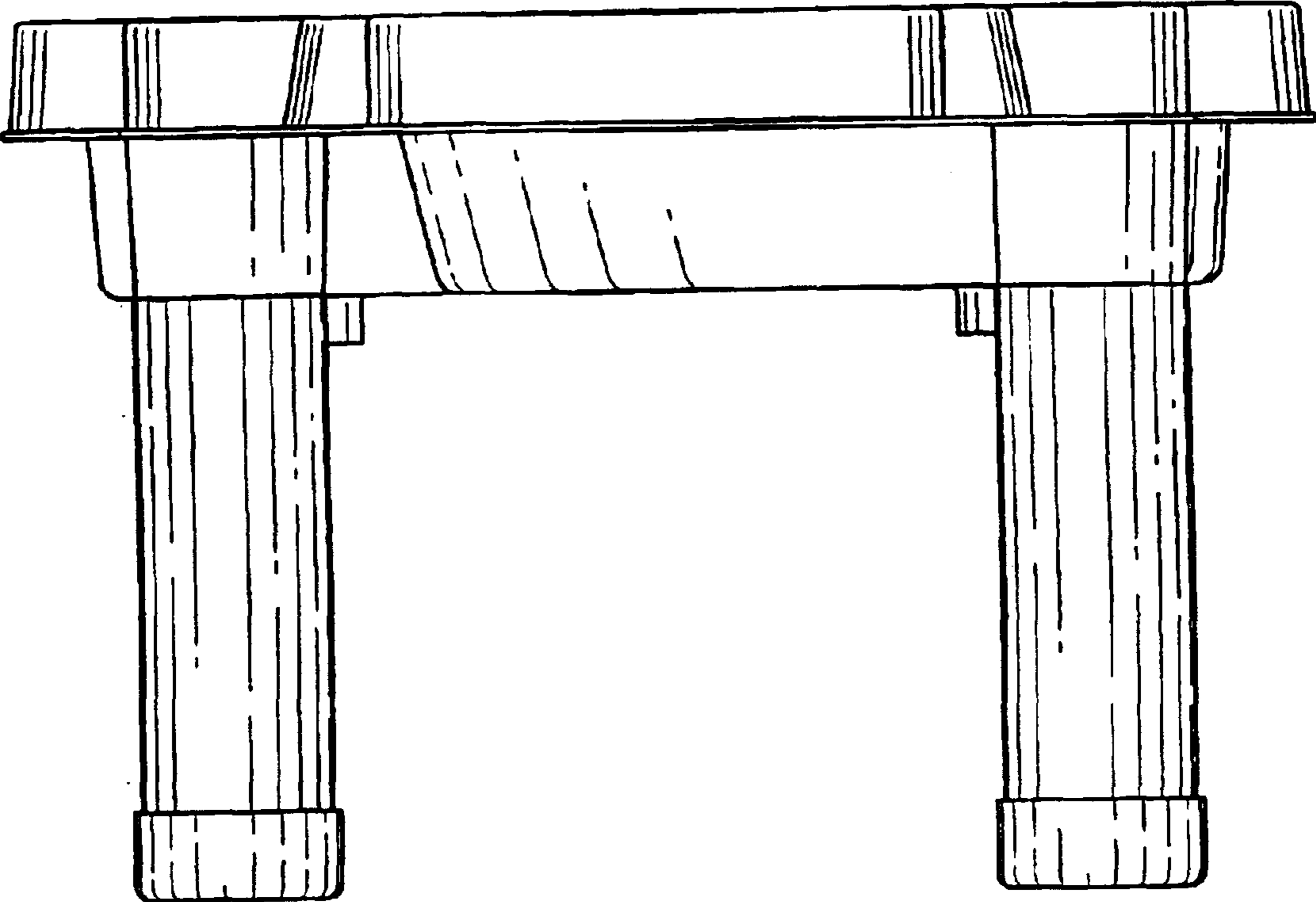


Fig. 7

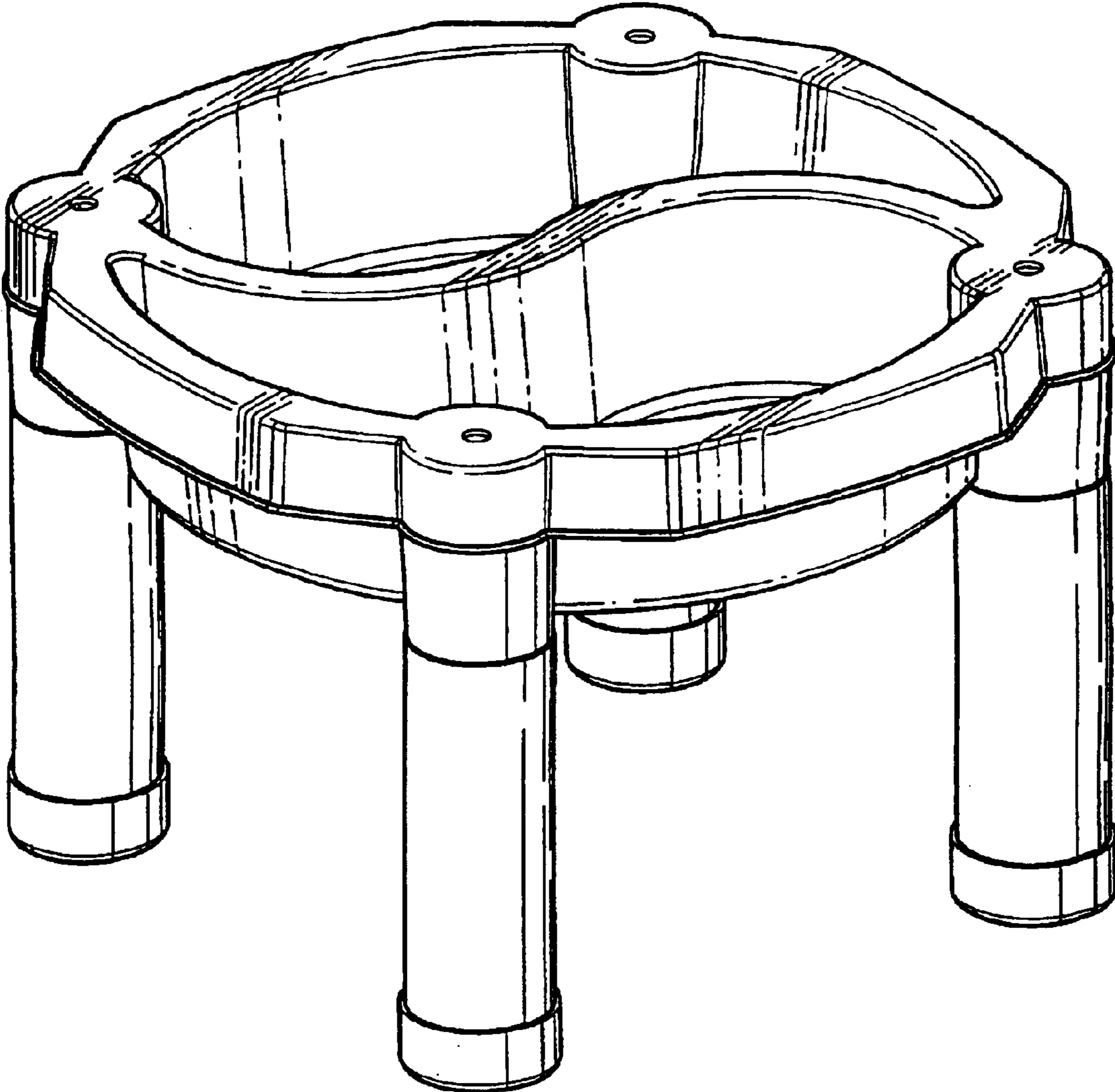




Fig. 8

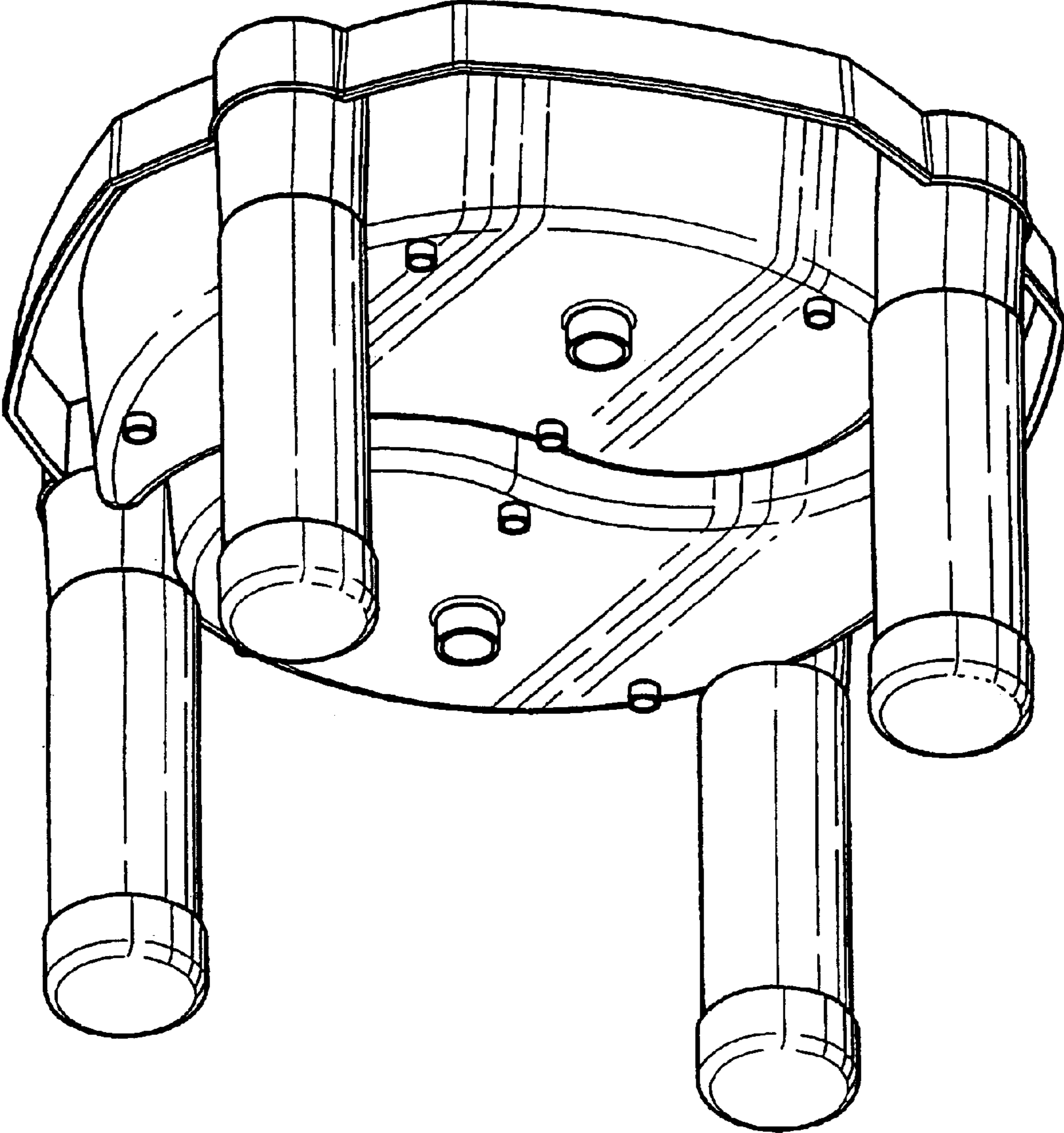


Fig. 9

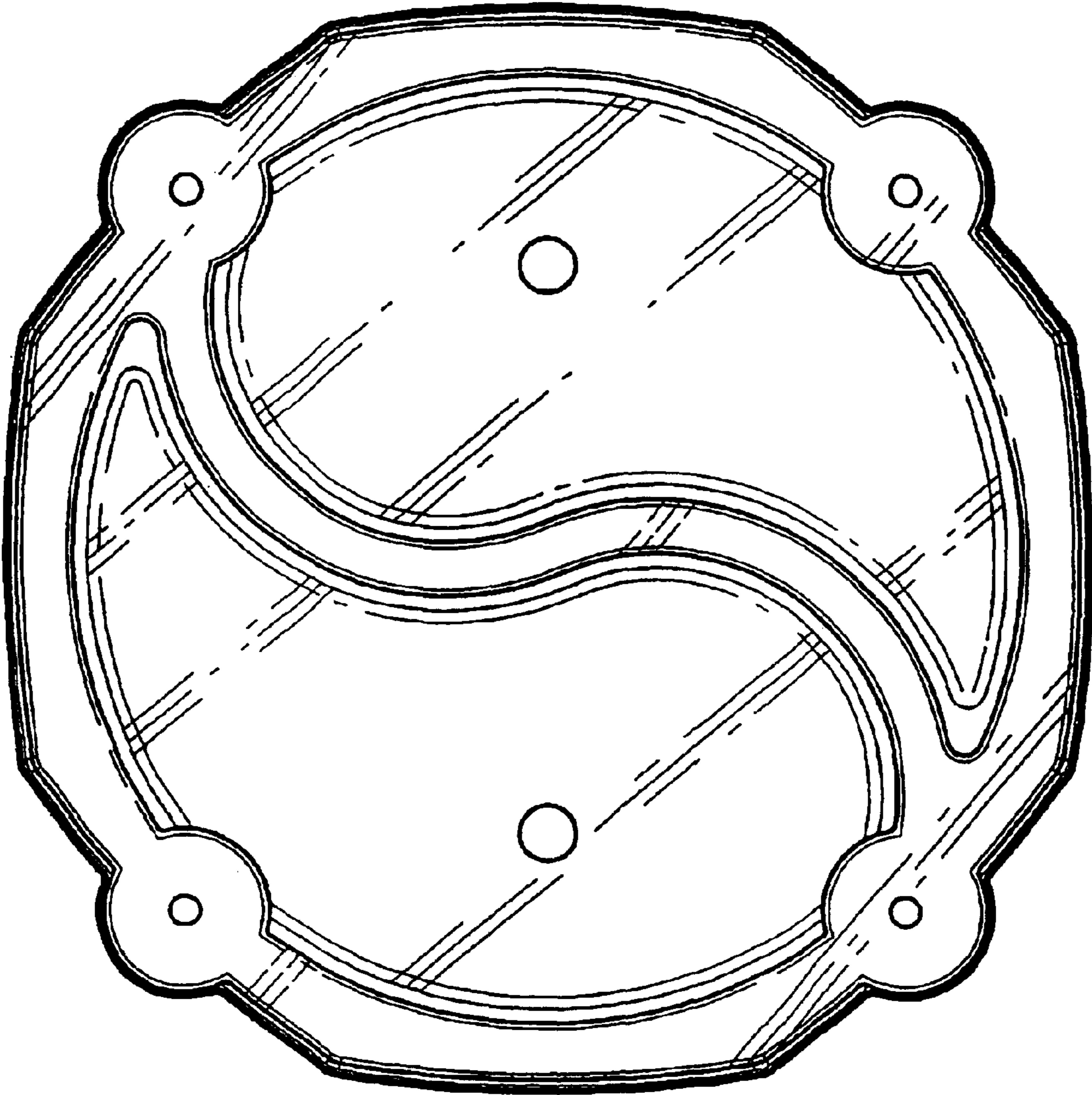


Fig. 10

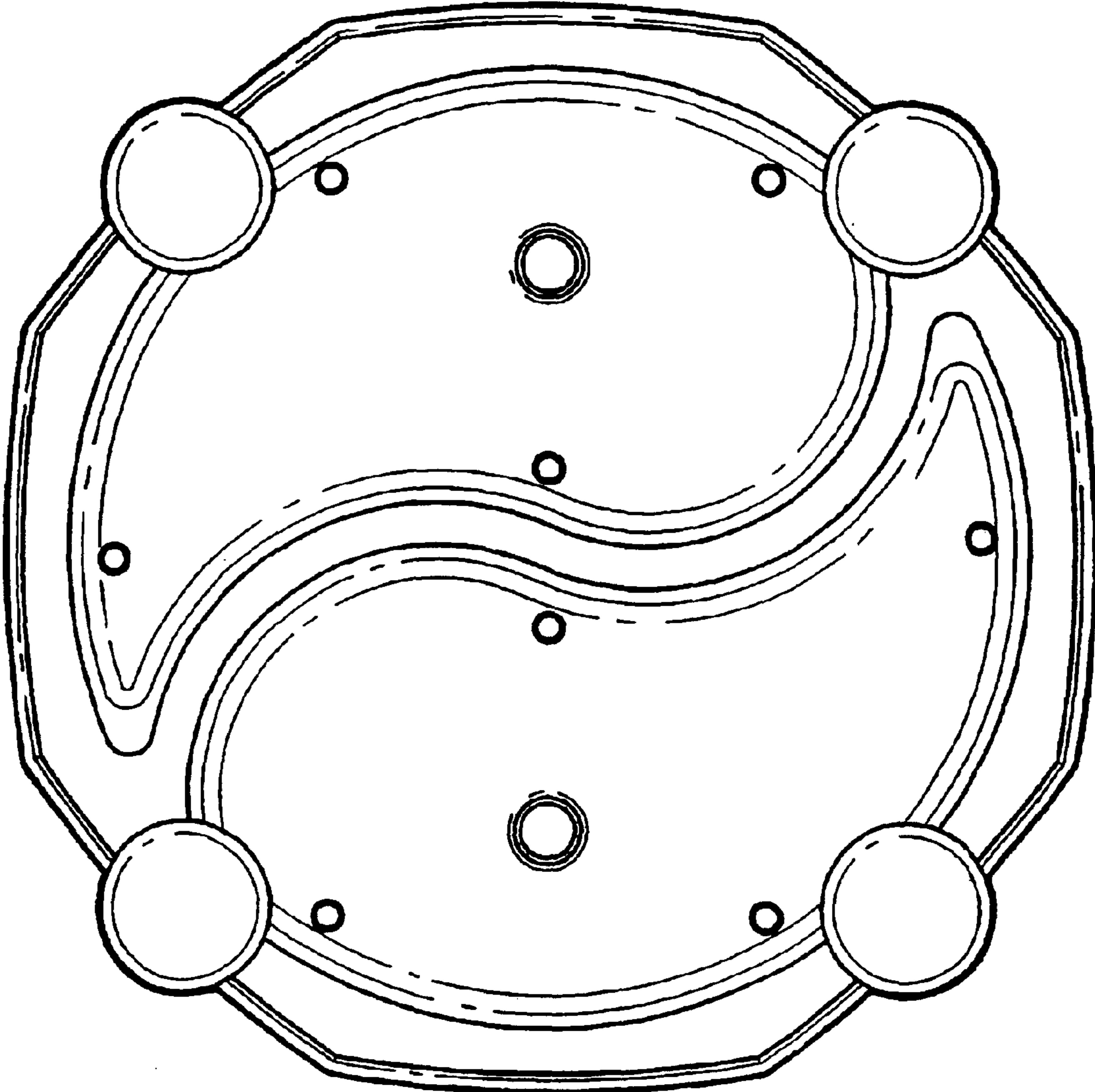


Fig. 11

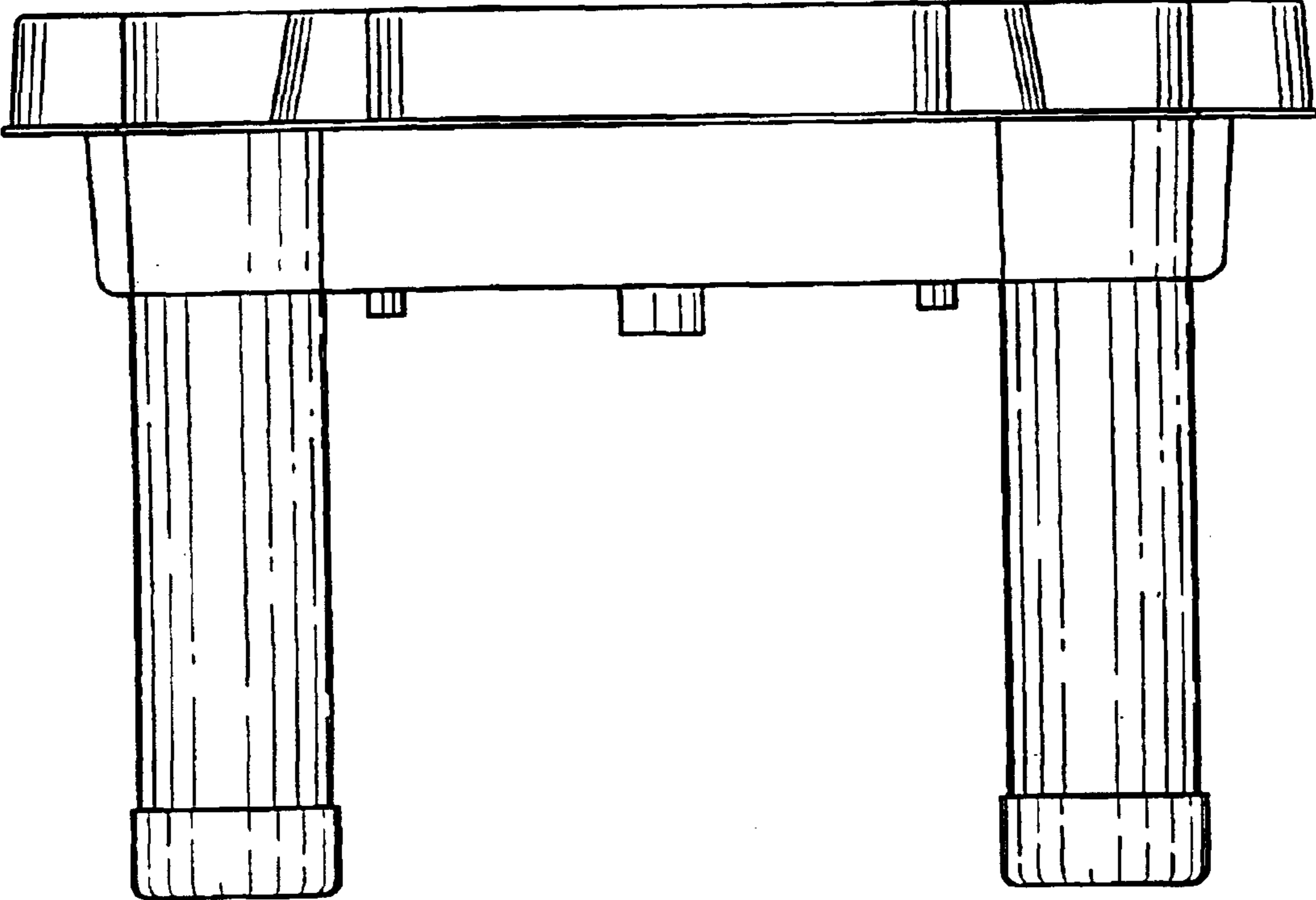


Fig. 12

