

US00D498372S

(12) **United States Design Patent** (10) **Patent No.:** **US D498,372 S**
Winig et al. (45) **Date of Patent:** **** Nov. 16, 2004**

(54) **SHELF**

(75) Inventors: **Alan Winig**, Wynnewood, PA (US);
Richard Winig, Villanova, PA (US);
James Eldon, Barto, PA (US); **Lea Bogdan**, Philadelphia, PA (US)

(73) Assignee: **Eye Designs LLC**, Collegetown, PA (US)

(**) Term: **14 Years**

3,565,020 A	2/1971	Schier et al.	
4,325,484 A	4/1982	Berry	
4,340,144 A	7/1982	Cousins	
4,407,476 A	10/1983	Bohannon	
4,439,884 A	4/1984	Giorni	
4,450,961 A	5/1984	Bies et al.	
4,500,943 A	2/1985	Greene	
4,508,301 A	4/1985	Nicholson et al.	
4,516,681 A	5/1985	Jahel	
D319,362 S	* 8/1991	Kellems et al.	D6/511
D385,140 S	* 10/1997	Whitehead et al.	D6/511
D422,309 S	* 4/2000	Bond	D10/71

* cited by examiner

(21) Appl. No.: **29/192,172**

(22) Filed: **Oct. 20, 2003**

(51) **LOC (7) Cl.** **06-06**

(52) **U.S. Cl.** **D6/450; D6/511**

(58) **Field of Search** D6/400, 450, 491,
D6/509-511; D10/71

Primary Examiner—Cathron Brooks

(74) *Attorney, Agent, or Firm*—Duane Morris LLP

(57) **CLAIM**

The ornamental design for a shelf, as shown and described.

DESCRIPTION

FIG. 1 is a front perspective view of the shelf according to the invention;

FIG. 2 is a front perspective view of the shelf;

FIG. 3 is a front elevational view of the shelf;

FIG. 4 is a back elevational view of the shelf;

FIG. 5 is a top view of the shelf;

FIG. 6 is a bottom view of the shelf; and,

FIG. 7 is an end view of the shelf.

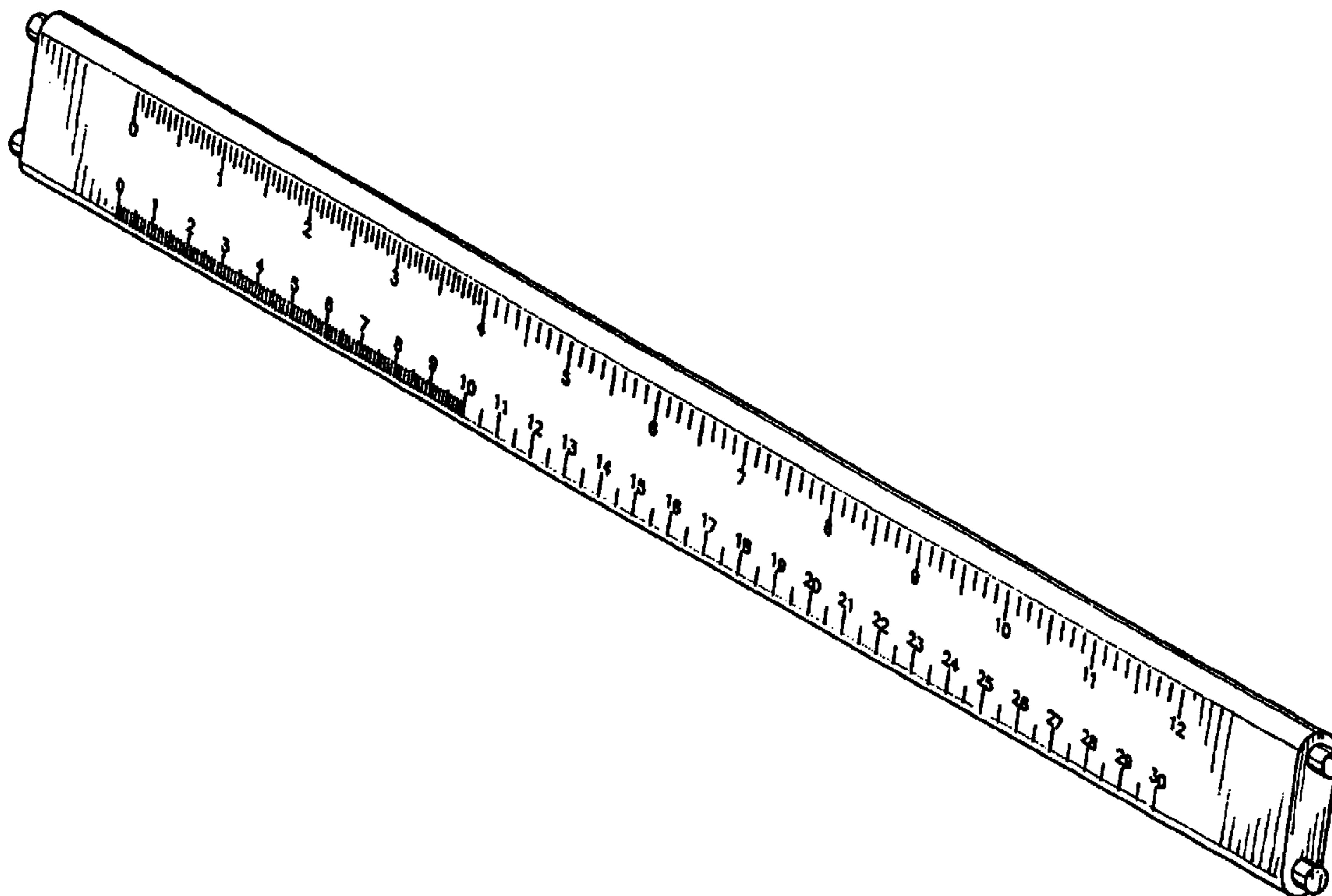
The broken line showing of structure is for illustrative purposes only and forms no part of the claimed design.

1 Claim, 4 Drawing Sheets

(56) **References Cited**

U.S. PATENT DOCUMENTS

1,958,772 A	5/1934	Stewart	
1,992,857 A	2/1935	Breedlove	
2,121,307 A	6/1938	Swift	
2,266,409 A	* 12/1941	Buccelli et al.	D6/491
D177,697 S	* 5/1956	Salm et al.	D10/71
2,785,919 A	3/1957	Grondzik	
2,887,802 A	5/1959	Burmeister	
2,956,687 A	10/1960	Robichaud	
2,995,256 A	8/1961	Schoenfisch	
3,063,569 A	11/1962	Huber	



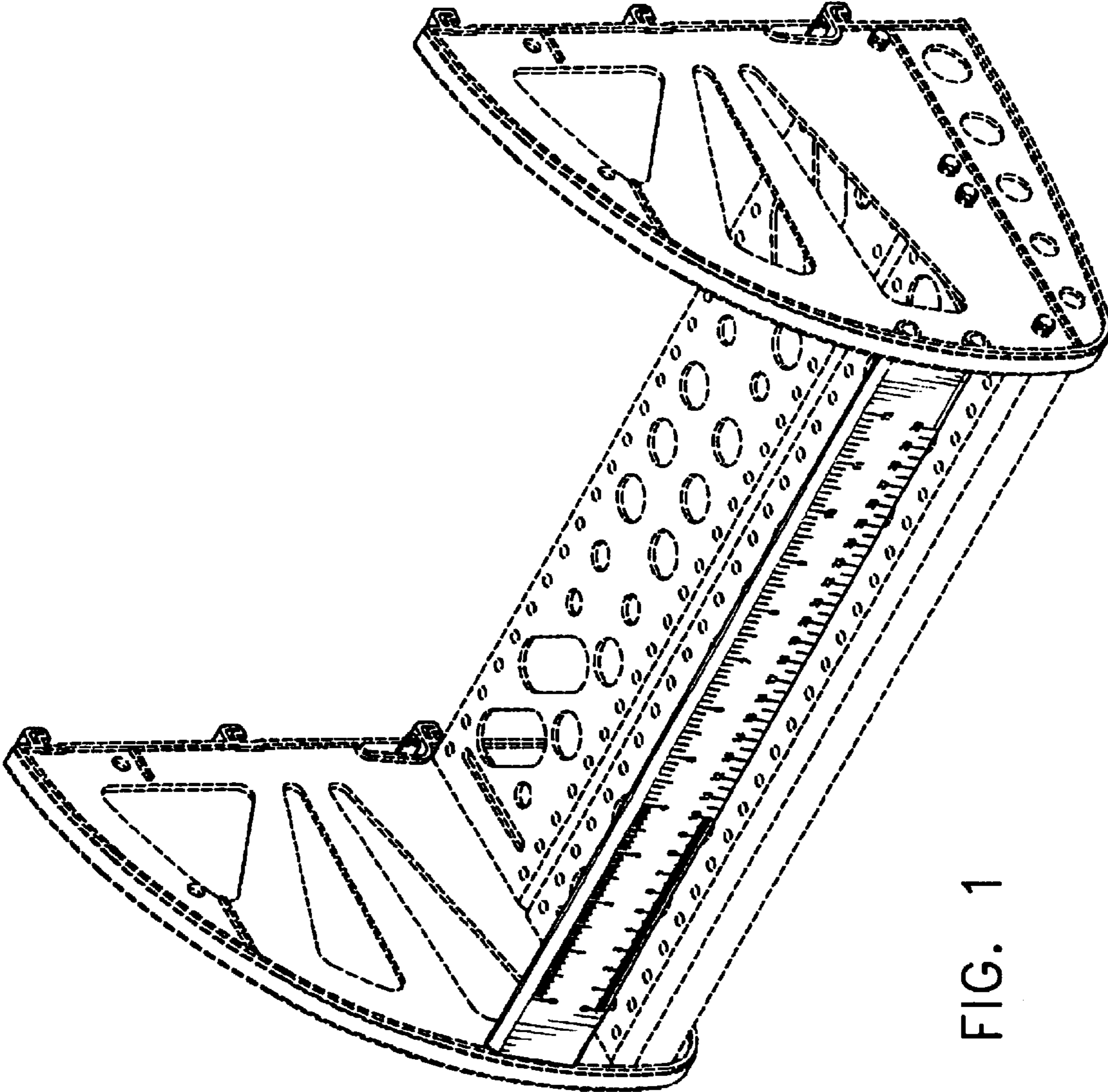


FIG. 1

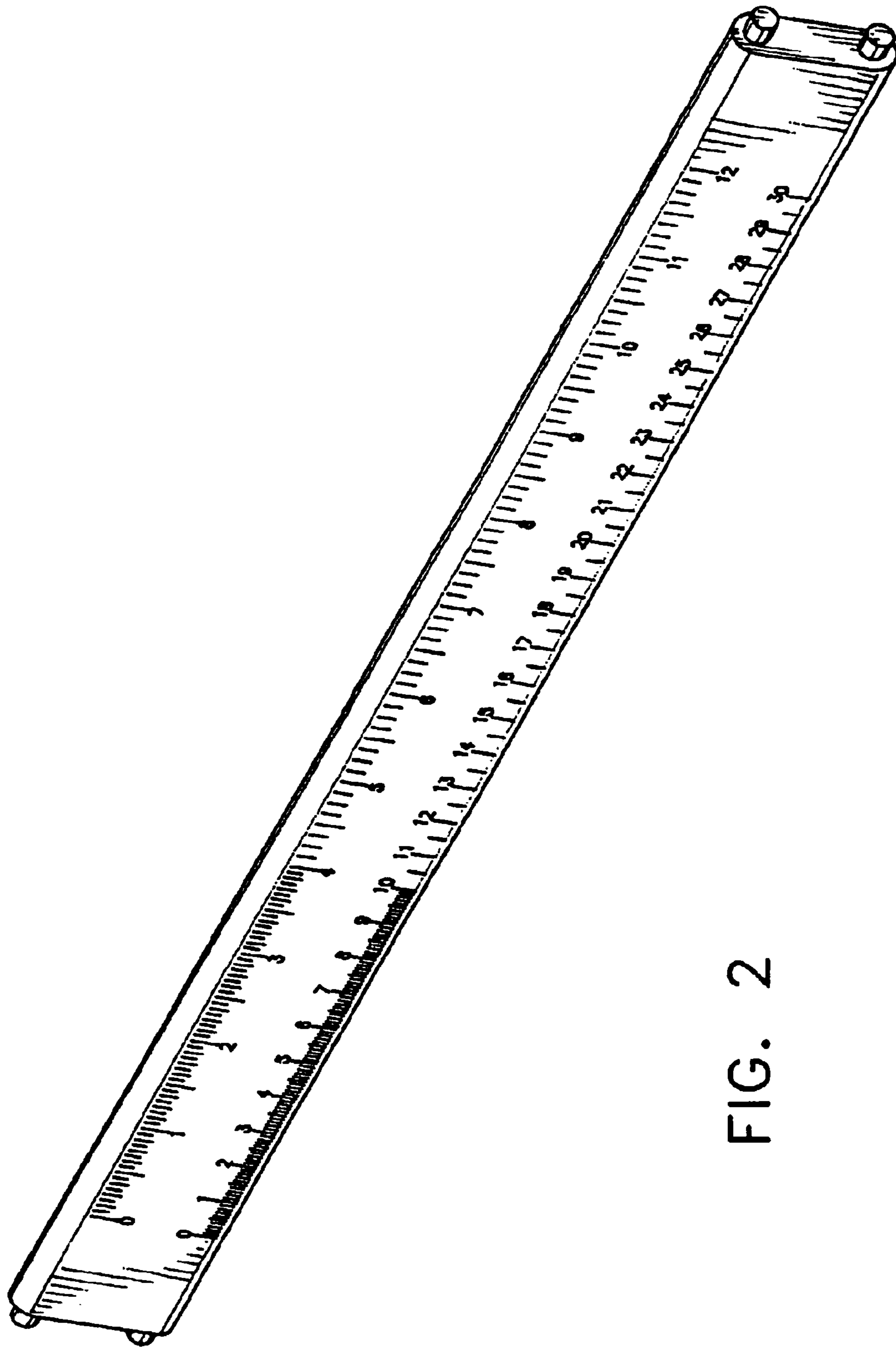


FIG. 2

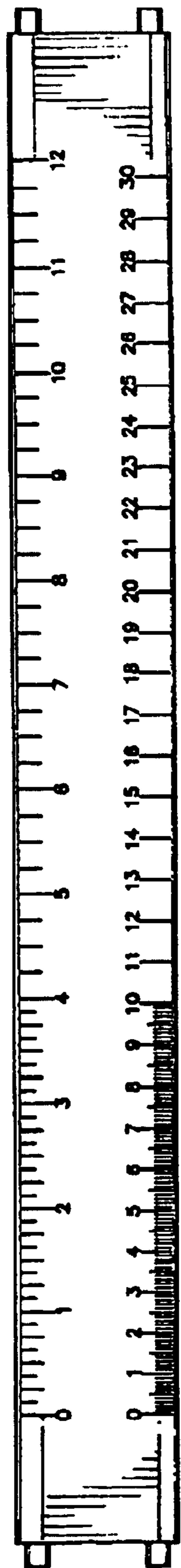


FIG. 3



FIG. 4



FIG. 5

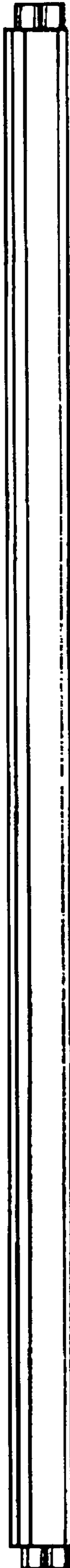


FIG. 6



FIG. 7