

US00D498365S

(12) **United States Design Patent** (10) **Patent No.:** **US D498,365 S**  
**Judy** (45) **Date of Patent:** **\*\* Nov. 16, 2004**

(54) **ADJUSTABLE CHAIR**

(76) Inventor: **L. Dale Judy**, 125 Adams, Pendleton,  
IN (US) 46064

(\*\*) Term: **14 Years**

(21) Appl. No.: **29/203,704**

(22) Filed: **Apr. 19, 2004**

(51) **LOC (7) Cl.** ..... **06-01**

(52) **U.S. Cl.** ..... **D6/367; D6/374; D6/375**

(58) **Field of Search** ..... **D6/334-336, 339,**  
**D6/349, 429, 353, 360, 367, 368, 371-376,**  
**379, 380, 500-502; 297/239, 344.1, 344.18,**  
**344.21, 440.1, 440.21, 440, 23, 440.24,**  
**445.1, 446.1, 452.18, 452.19, 411.2, 411.43,**  
**411.44, 423.1, 148, 149**

(56) **References Cited**

**U.S. PATENT DOCUMENTS**

- 855,520 A \* 6/1907 Margolin et al. .... 297/440.24
- D149,637 S \* 5/1948 Hayes et al.
- D153,672 S \* 5/1949 Giorgio ..... D6/339
- D177,760 S \* 5/1956 Pokorny, Jr. .... D6/339
- D193,506 S \* 9/1962 Smith et al. .... D6/339

- D345,472 S \* 3/1994 Sheftel ..... D6/349
- D347,739 S \* 6/1994 Beaulieu ..... D6/360
- 5,364,163 A \* 11/1994 Hardison ..... 297/344.21
- 5,494,333 A \* 2/1996 Wilson ..... 297/344.18
- D395,760 S \* 7/1998 Hickey ..... D6/339
- 6,056,353 A \* 5/2000 Meara ..... 297/344.18
- D444,009 S \* 6/2001 Ambrosio ..... D6/502
- 2004/0041453 A1 \* 3/2004 Ellis et al. .... 297/344.18

\* cited by examiner

*Primary Examiner*—Mimosa De

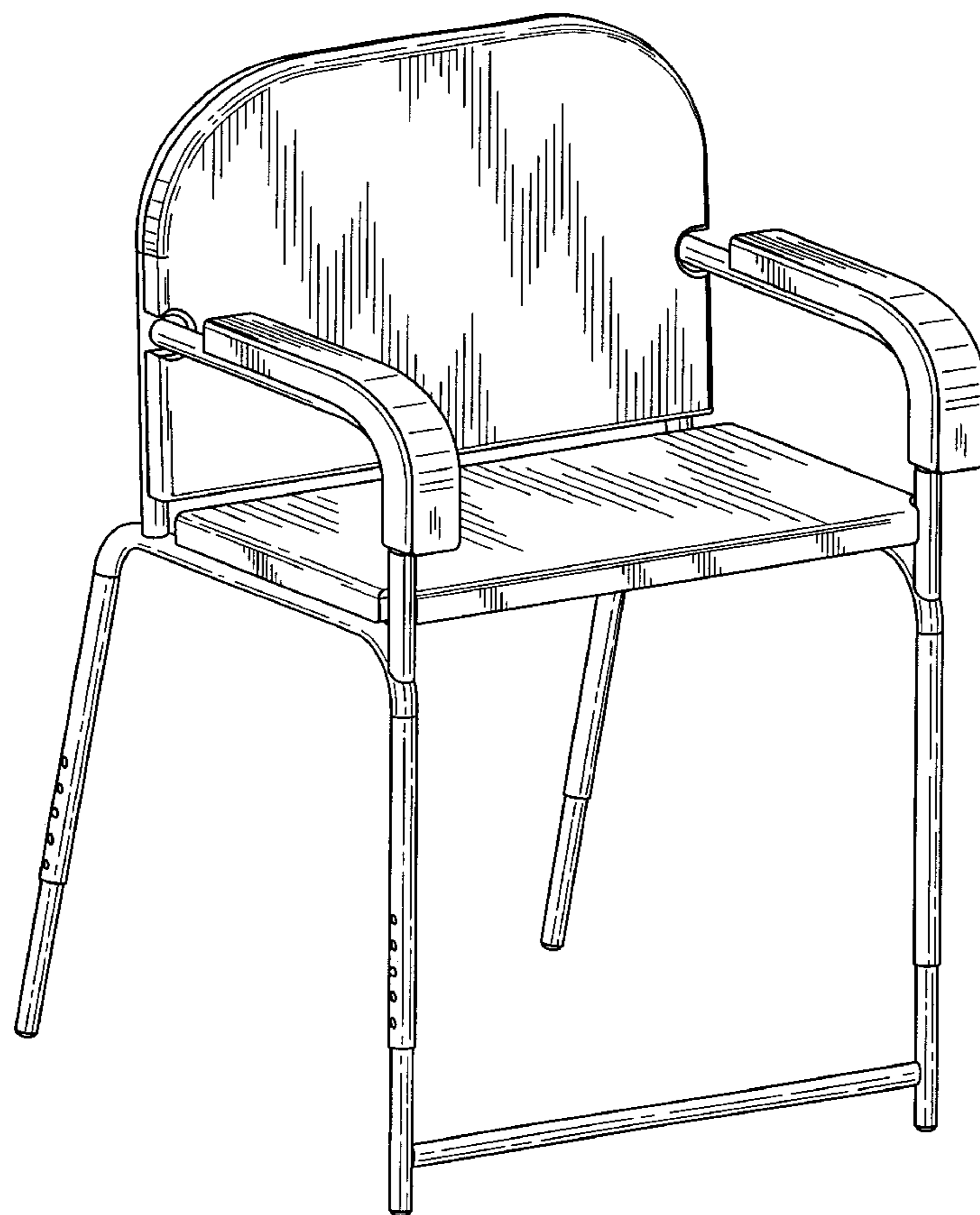
(57) **CLAIM**

I claim the ornamental design for an adjustable chair, as shown and described.

**DESCRIPTION**

FIG. 1 is a front view illustrating my new design;  
 FIG. 2 is a back view thereof;  
 FIG. 3 is a left side view thereof;  
 FIG. 4 is a right side view thereof;  
 FIG. 5 is a top view thereof;  
 FIG. 6 is a back view thereof; and,  
 FIG. 7 is a perspective view thereof.

**1 Claim, 7 Drawing Sheets**



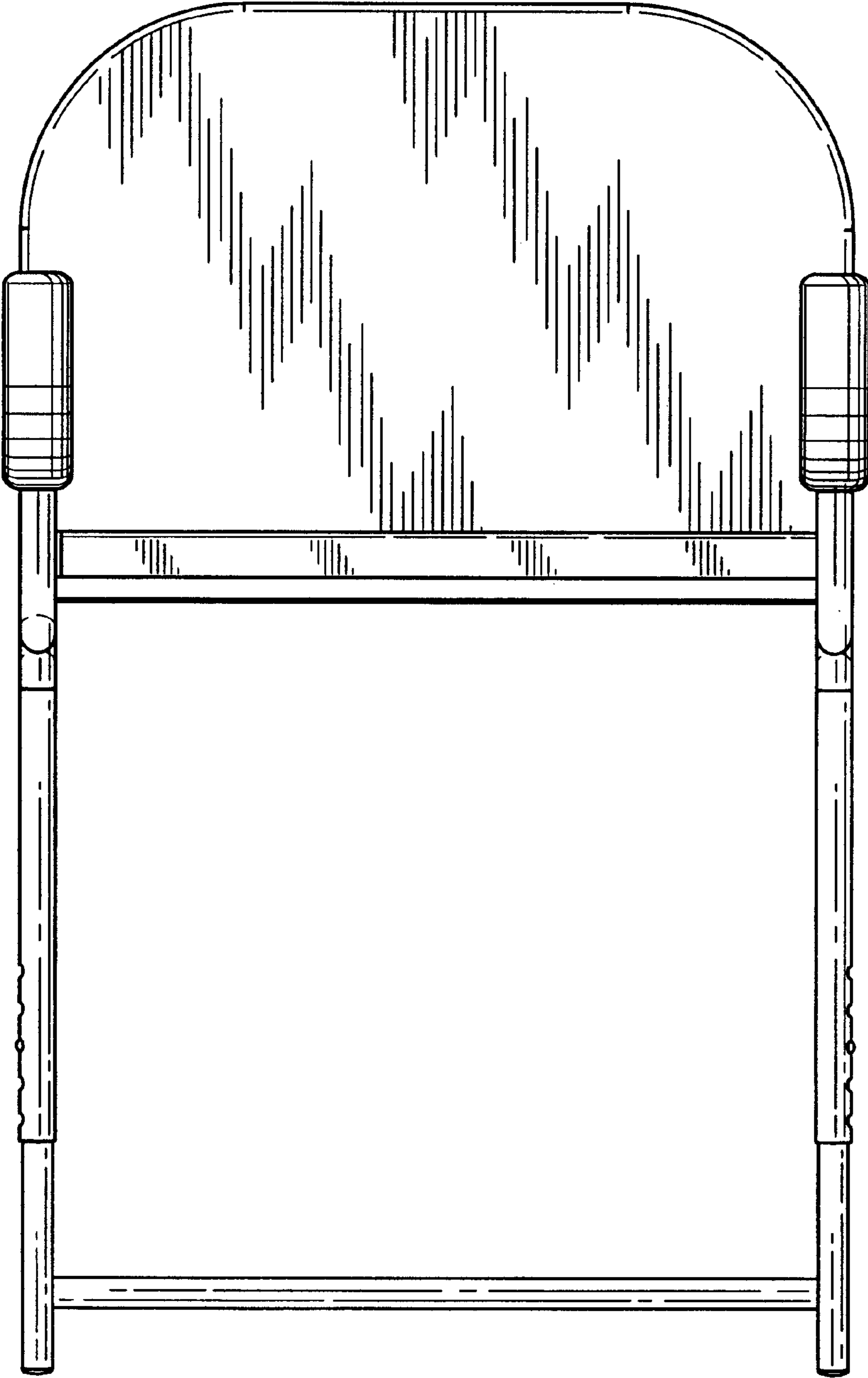


Fig. 1

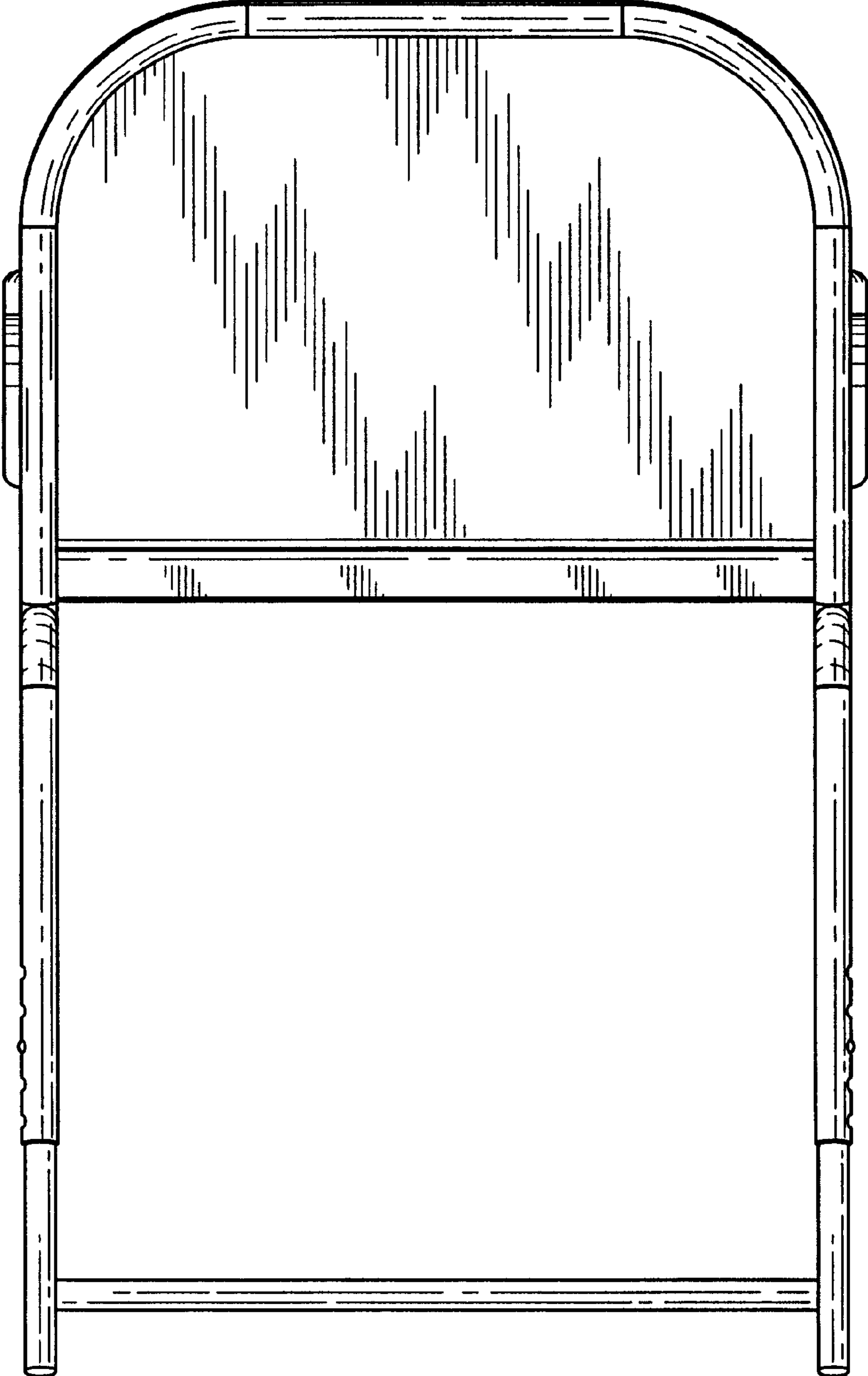


Fig. 2

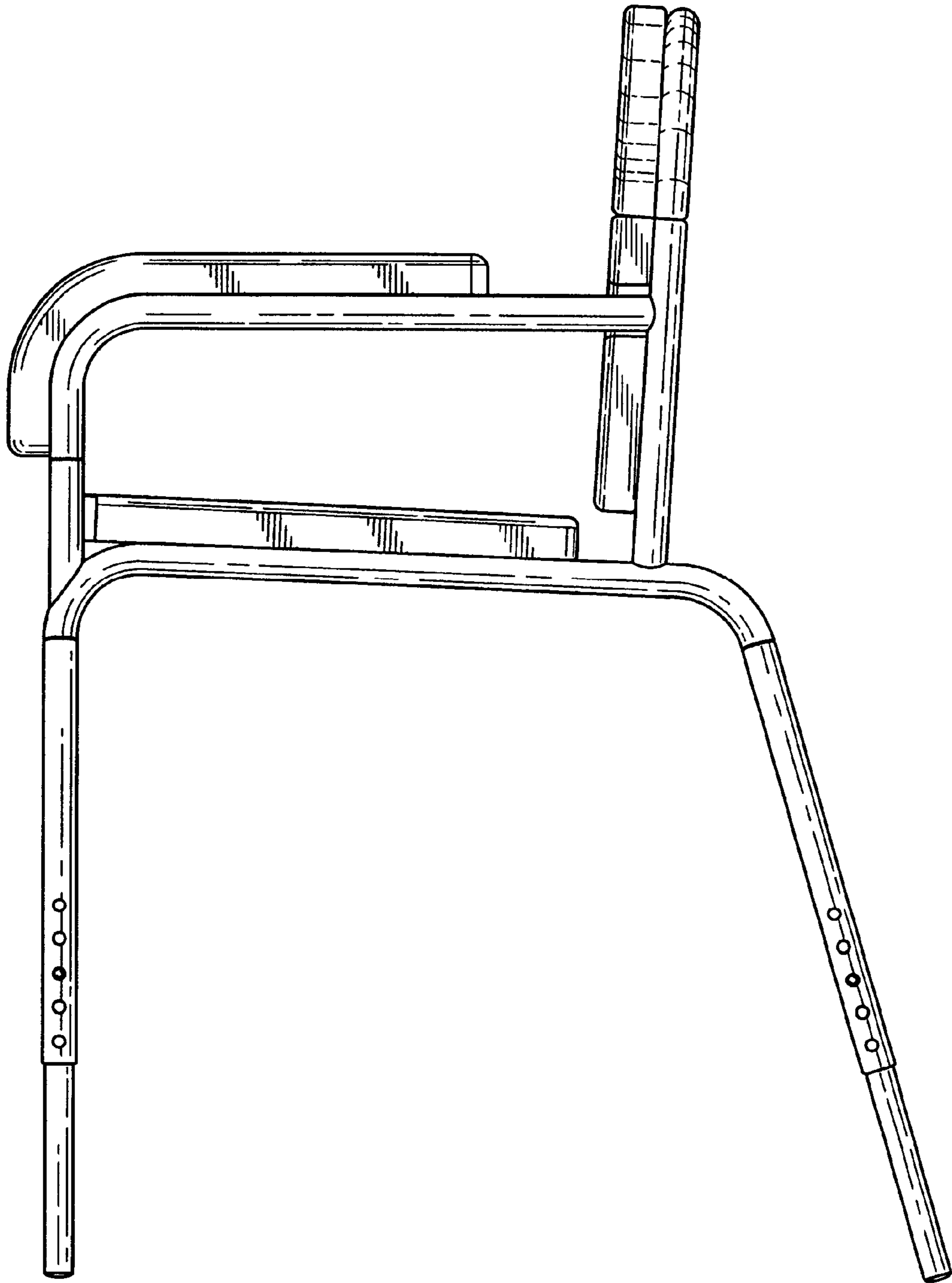


Fig. 3

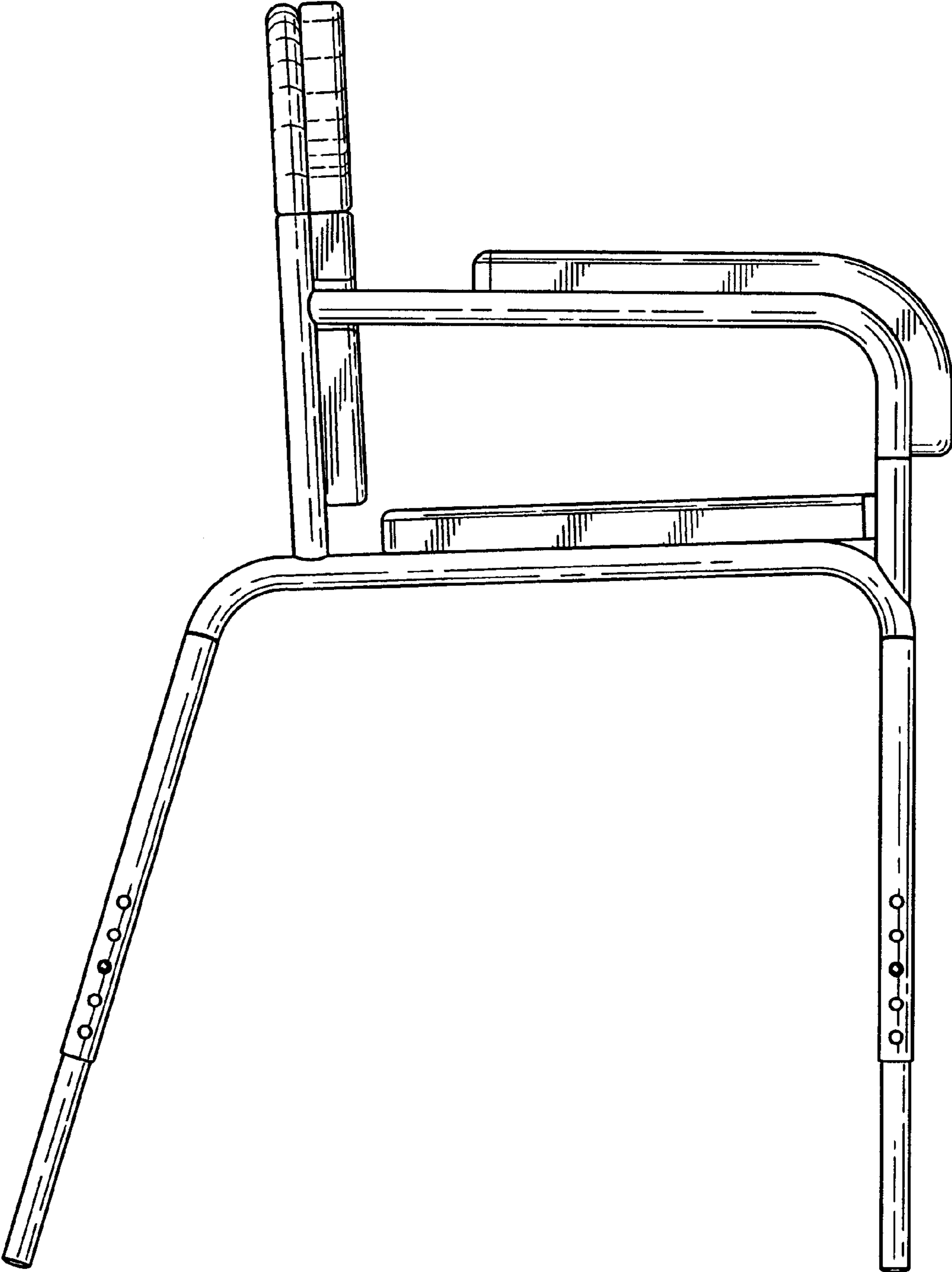


Fig. 4

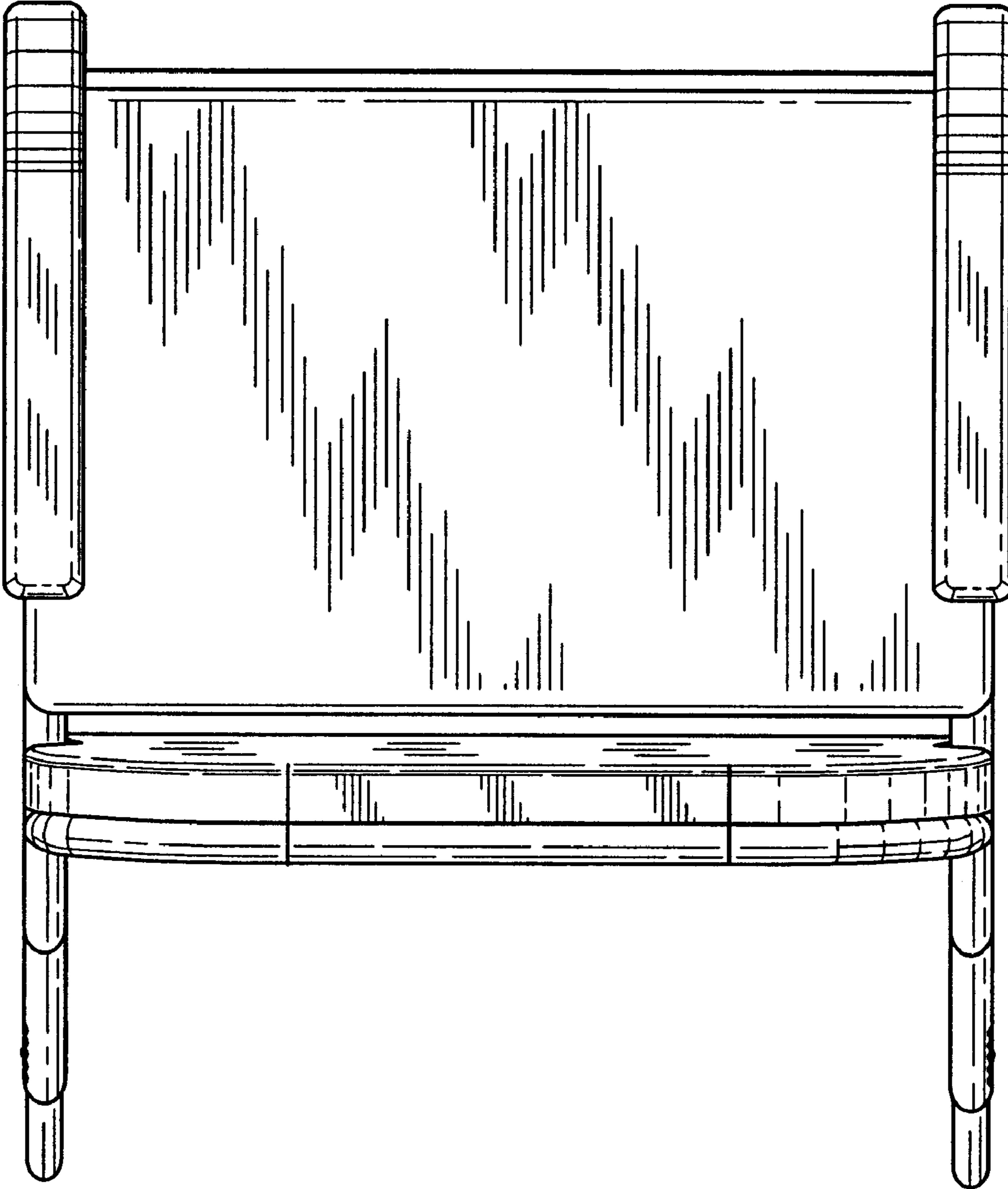


Fig. 5

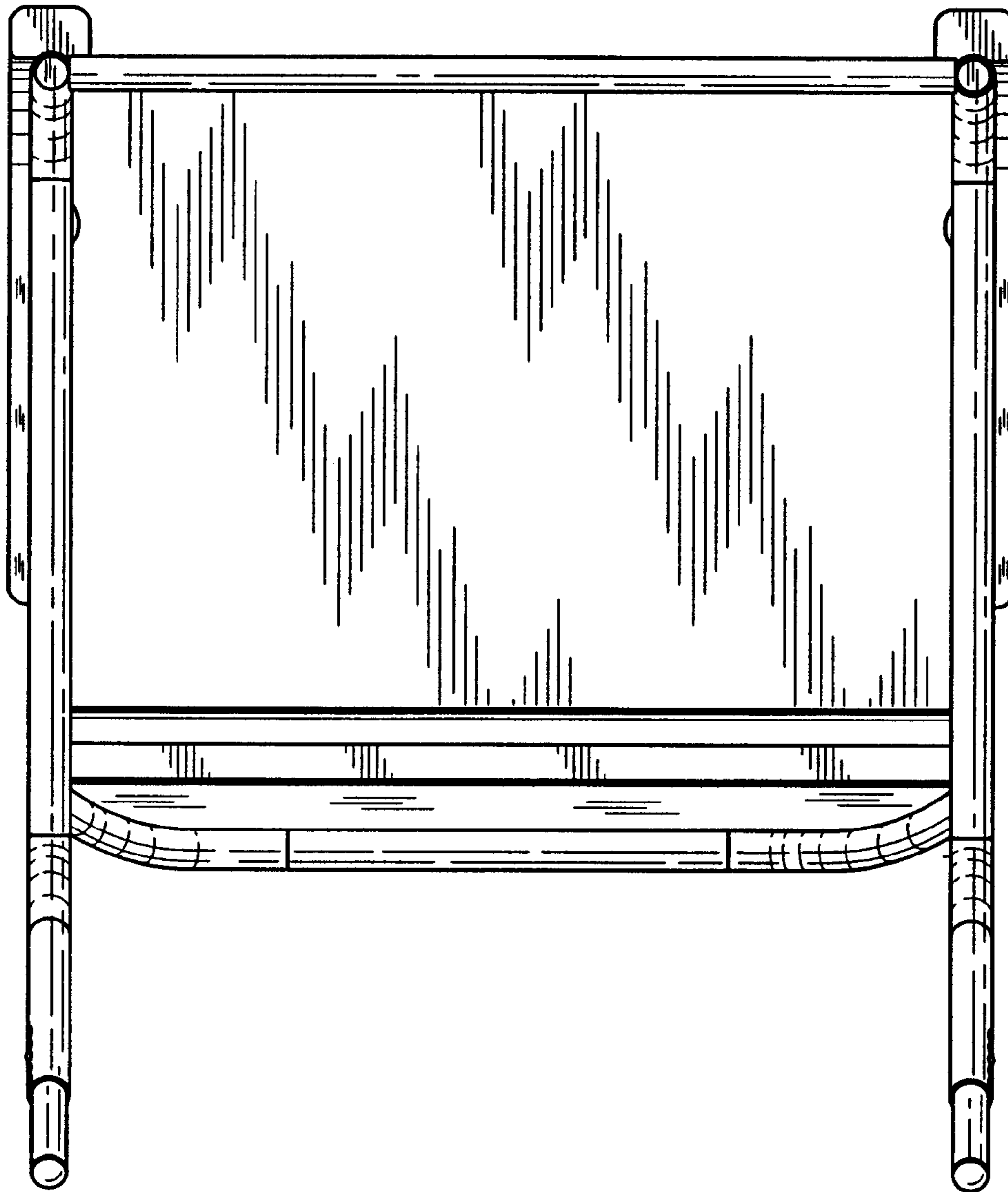


Fig. 6

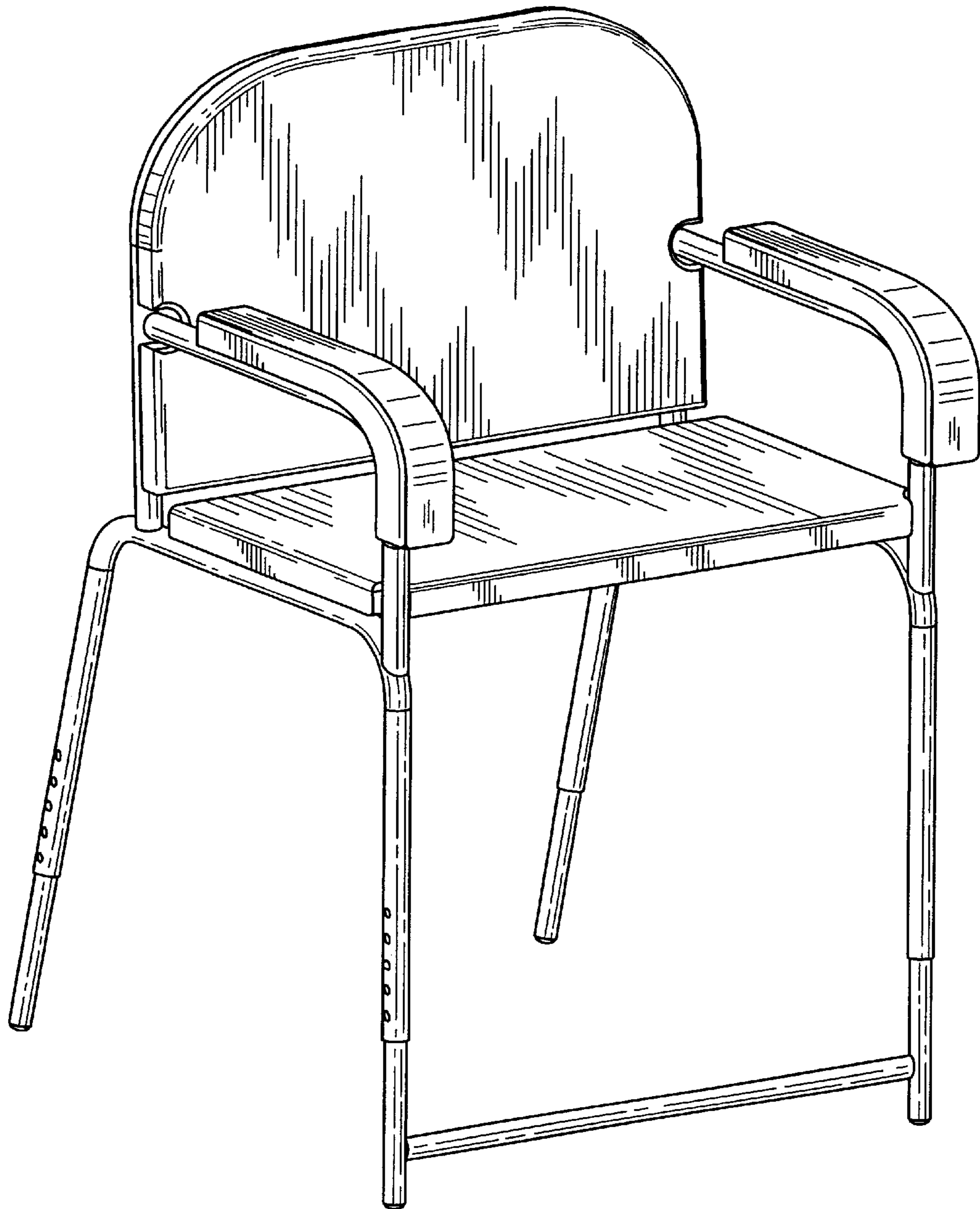


Fig. 7