

US00D498364S

(12) **United States Design Patent**
Mohundro

(10) **Patent No.:** **US D498,364 S**

(45) **Date of Patent:** **** Nov. 16, 2004**

(54) **MIRROR**

D413,024 S * 8/1999 Wanek et al. D6/300
D485,686 S * 1/2004 Stein D6/332

(75) Inventor: **James Glenn Mohundro**, Taichung (TW)

* cited by examiner

(73) Assignee: **Pacific Marketing International Co., Ltd.**, Taichung (TW)

Primary Examiner—Janice E. Seeger
(74) *Attorney, Agent, or Firm*—Rosenberg, Klein & Lee

(**) Term: **14 Years**

(57) **CLAIM**

The ornamental design for a mirror, as shown and described.

(21) Appl. No.: **29/193,085**

(22) Filed: **Nov. 4, 2003**

DESCRIPTION

(51) **LOC (7) Cl.** **06-07**

FIG. 1 is a perspective view of a mirror, showing my new design;

(52) **U.S. Cl.** **D6/300**

FIG. 2 is a front elevational view thereof;

(58) **Field of Search** D6/300–303, 308–314,

FIG. 3 is a rear elevational view thereof;

D6/444; 40/700, 711, 714–716, 721, 722,

FIG. 4 is a left elevational view thereof; and

735, 737, 745, 750, 765, 790, 798; 359/838,

FIG. 5 is a right elevational view thereof;

871, 882, 872

FIG. 6 is a top plan view thereof; and,

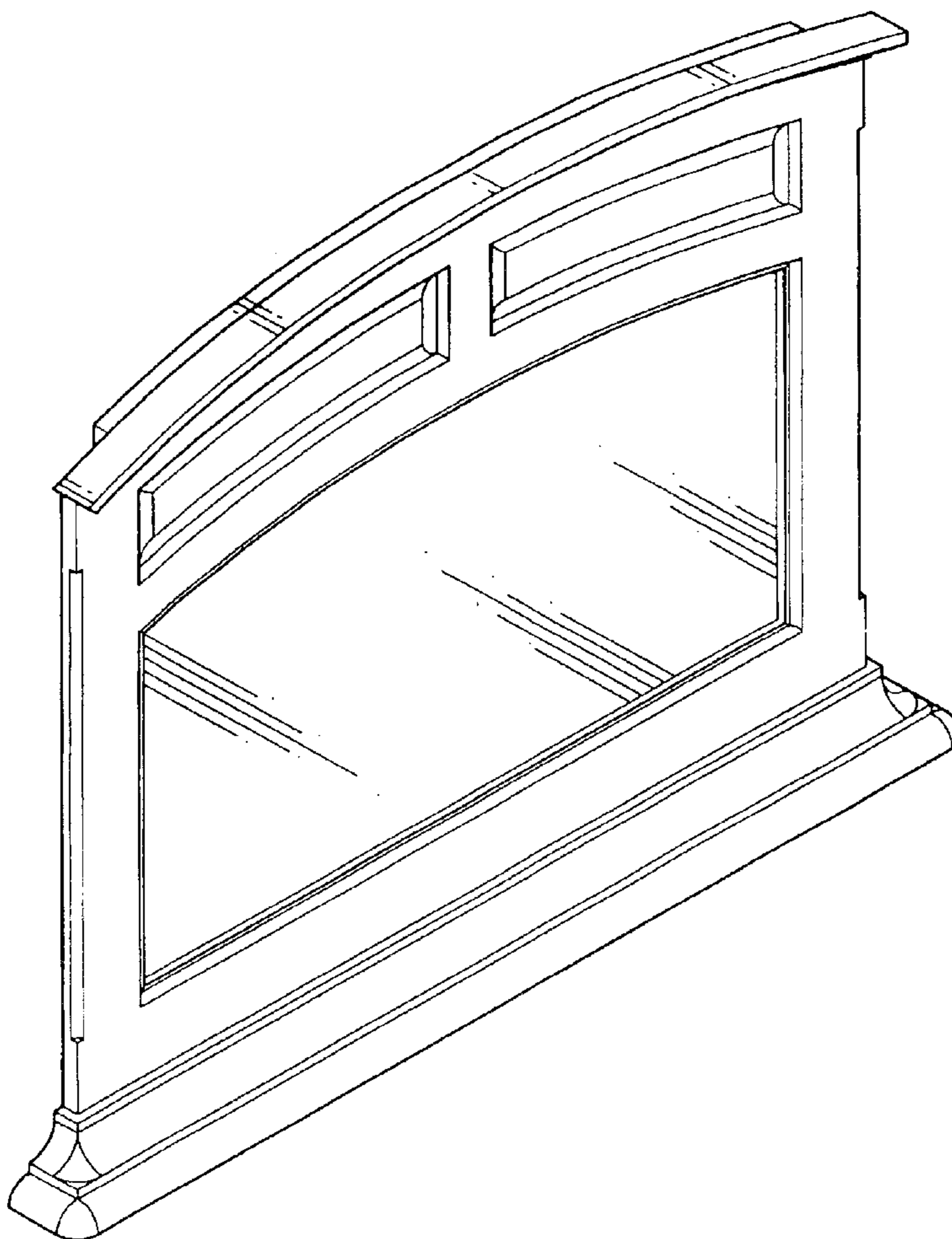
(56) **References Cited**

FIG. 7 is a bottom plan view thereof.

U.S. PATENT DOCUMENTS

D410,792 S * 6/1999 Zaidman D6/300

1 Claim, 5 Drawing Sheets



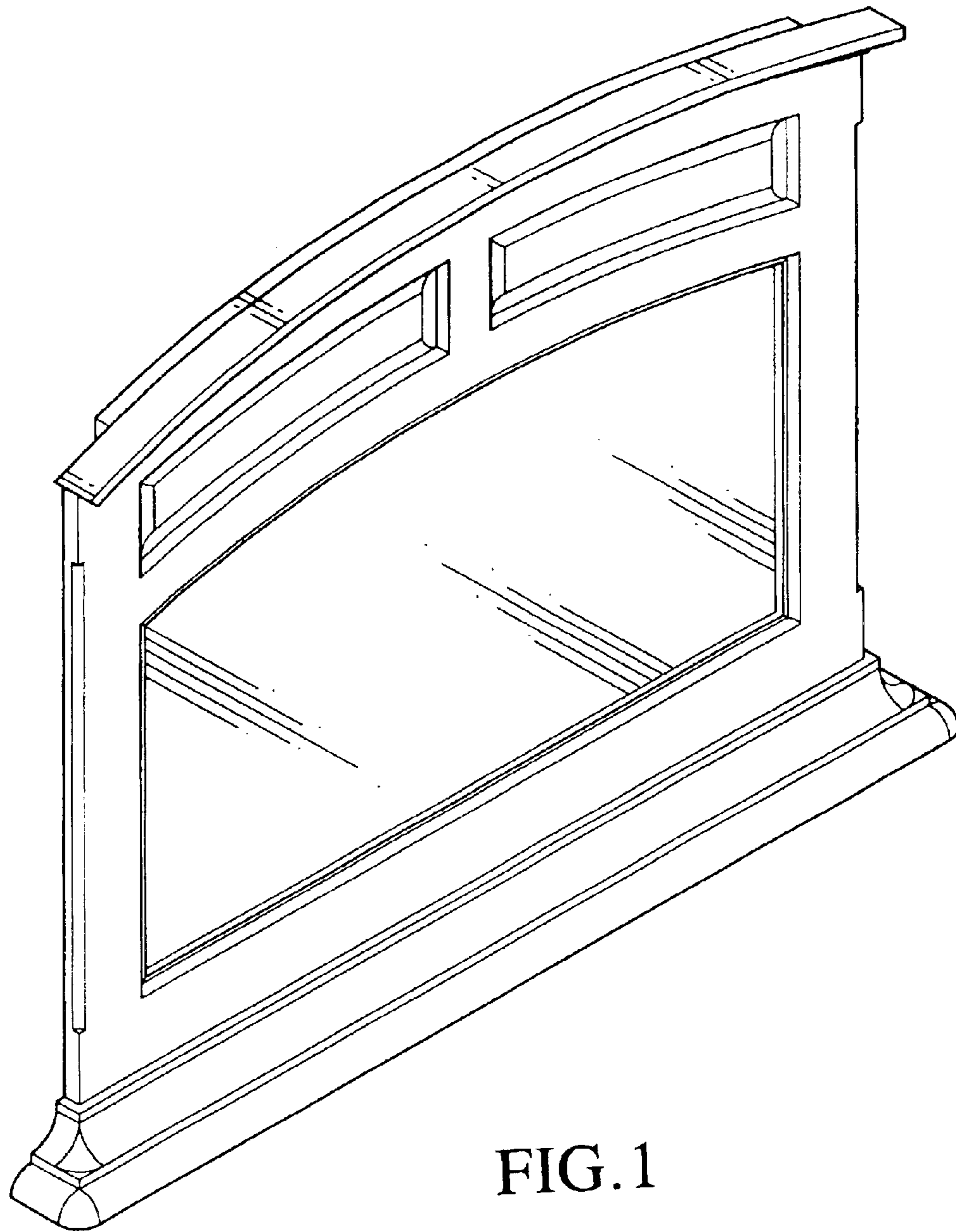


FIG. 1

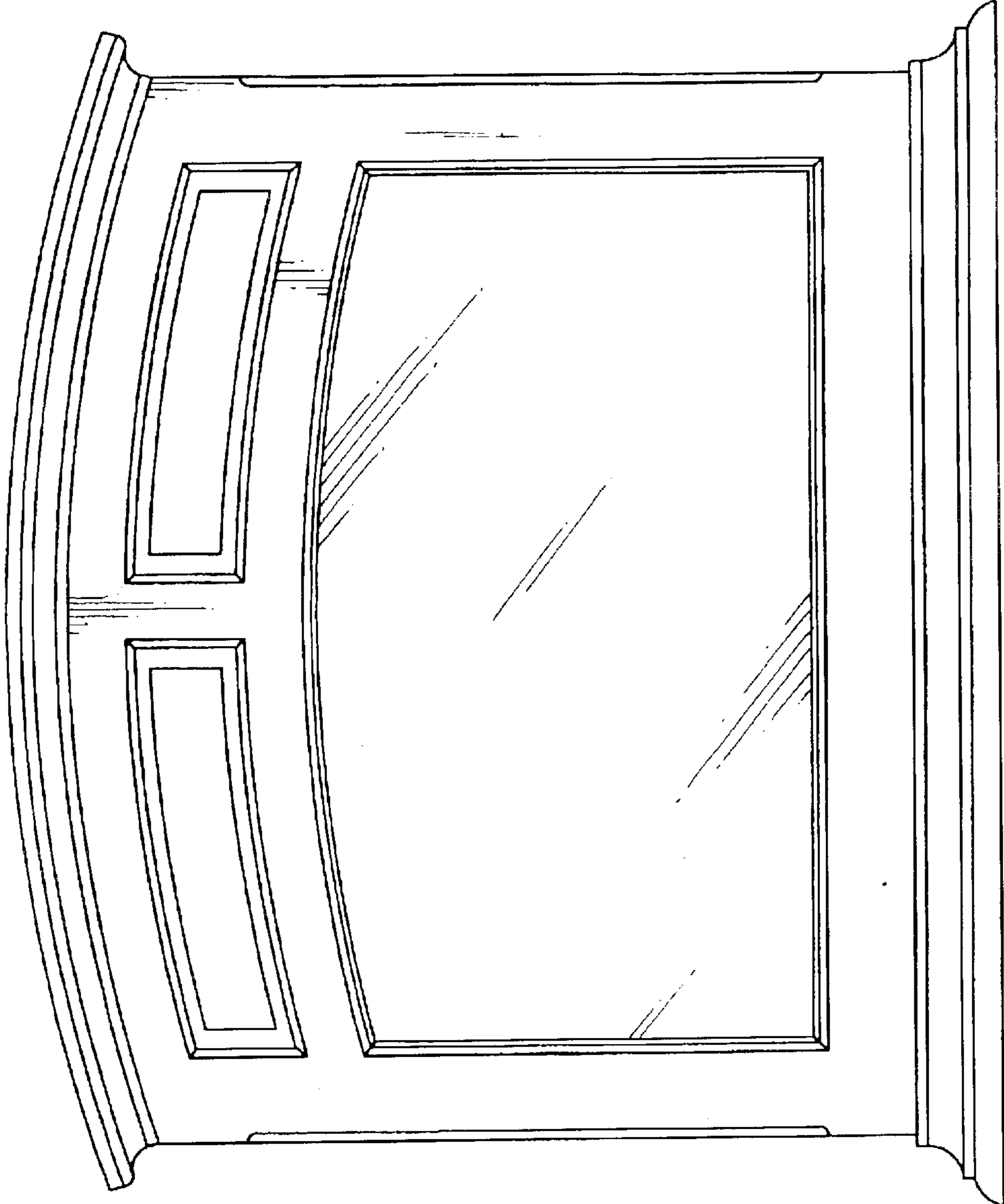


FIG. 2

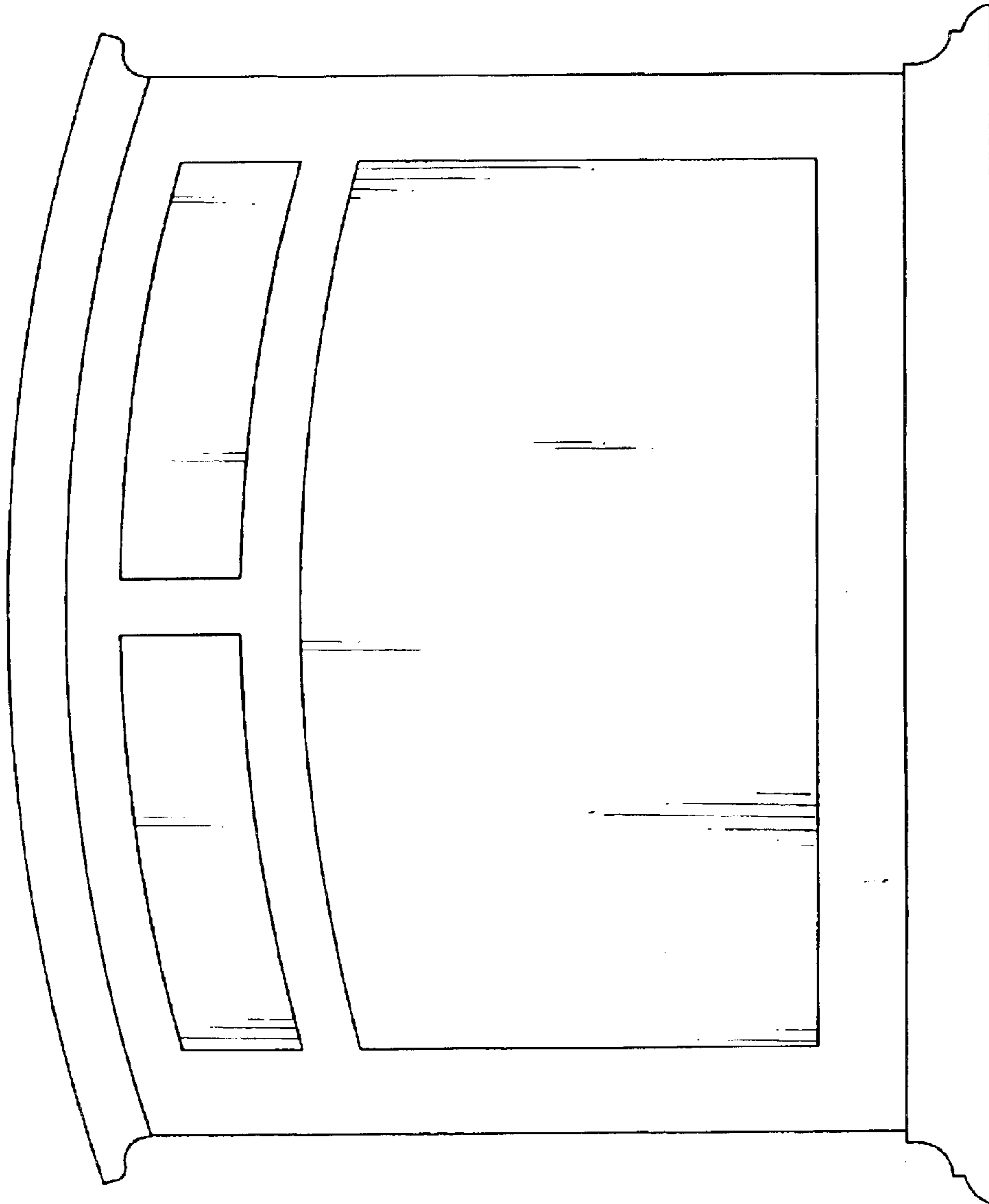


FIG. 3

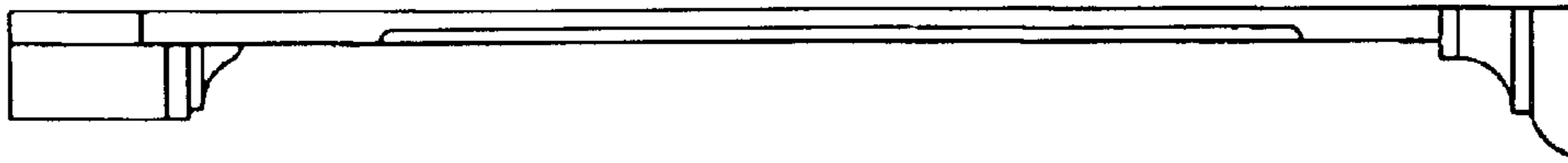


FIG. 5



FIG. 4

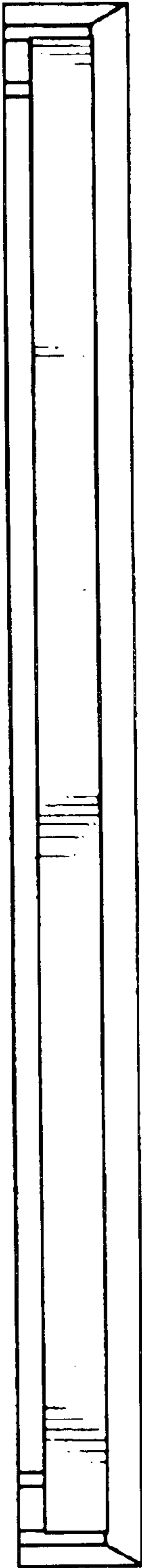


FIG. 6

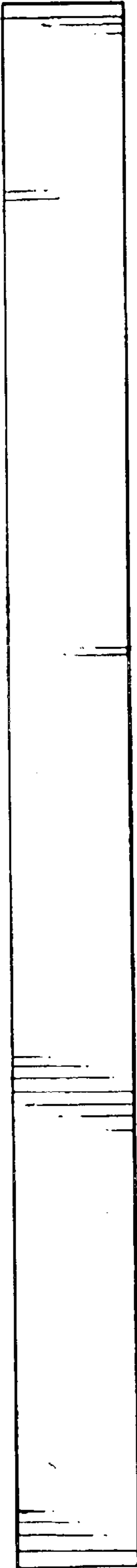


FIG. 7