

US00D498361S

(12) **United States Design Patent** (10) **Patent No.:** **US D498,361 S**  
**Badaan** (45) **Date of Patent:** **\*\* Nov. 16, 2004**

(54) **UPRIGHT TRUNK**

(76) **Inventor:** **Mounir Badaan**, 43 Graceview Dr.,  
Kinnelon, NJ (US) 07405

(\*\*) **Term:** **14 Years**

(21) **Appl. No.:** **29/178,271**

(22) **Filed:** **Mar. 24, 2003**

(51) **LOC (7) Cl.** ..... **03-01**

(52) **U.S. Cl.** ..... **D3/279; D3/276; D3/321**

(58) **Field of Search** ..... **D3/272, 273, 276,**  
**D3/279, 283, 294, 321; 190/18 A, 100,**  
**109, 110, 112, 113, 127, 900**

(56) **References Cited**

**U.S. PATENT DOCUMENTS**

|             |   |         |               |       |          |
|-------------|---|---------|---------------|-------|----------|
| D265,352 S  | * | 7/1982  | Stark         | ..... | D3/289   |
| D266,206 S  | * | 9/1982  | Stark         | ..... | D3/289   |
| D308,137 S  | * | 5/1990  | Grecchi       | ..... | D3/292   |
| 5,000,301 A | * | 3/1991  | Grenier       | ..... | 190/127  |
| 5,115,895 A | * | 5/1992  | Myers         | ..... | 190/18 A |
| D354,166 S  | * | 1/1995  | Lin           | ..... | D3/276   |
| D364,504 S  | * | 11/1995 | Bieber et al. | ..... | D3/276   |
| D378,164 S  | * | 2/1997  | Lee           | ..... | D3/276   |
| D385,699 S  | * | 11/1997 | Lin           | ..... | D3/279   |

\* cited by examiner

*Primary Examiner*—Philip S. Hyder

(74) *Attorney, Agent, or Firm*—Hoffmann & Baron, LLP

(57) **CLAIM**

The ornamental design of a upright trunk, substantially as shown and described.

**DESCRIPTION**

FIG. 1 is a front perspective showing of the ornamental design for the upright trunk of the present invention.

FIG. 2 is a front elevational showing of the ornamental design for the upright trunk of FIG. 1.

FIG. 3 is a right side elevational showing of the ornamental design for the upright trunk of FIG. 1.

FIG. 4 is a back elevational showing of the ornamental design for the upright trunk of FIG. 1.

FIG. 5 is a left side elevational showing of the ornamental design for the upright trunk of FIG. 1.

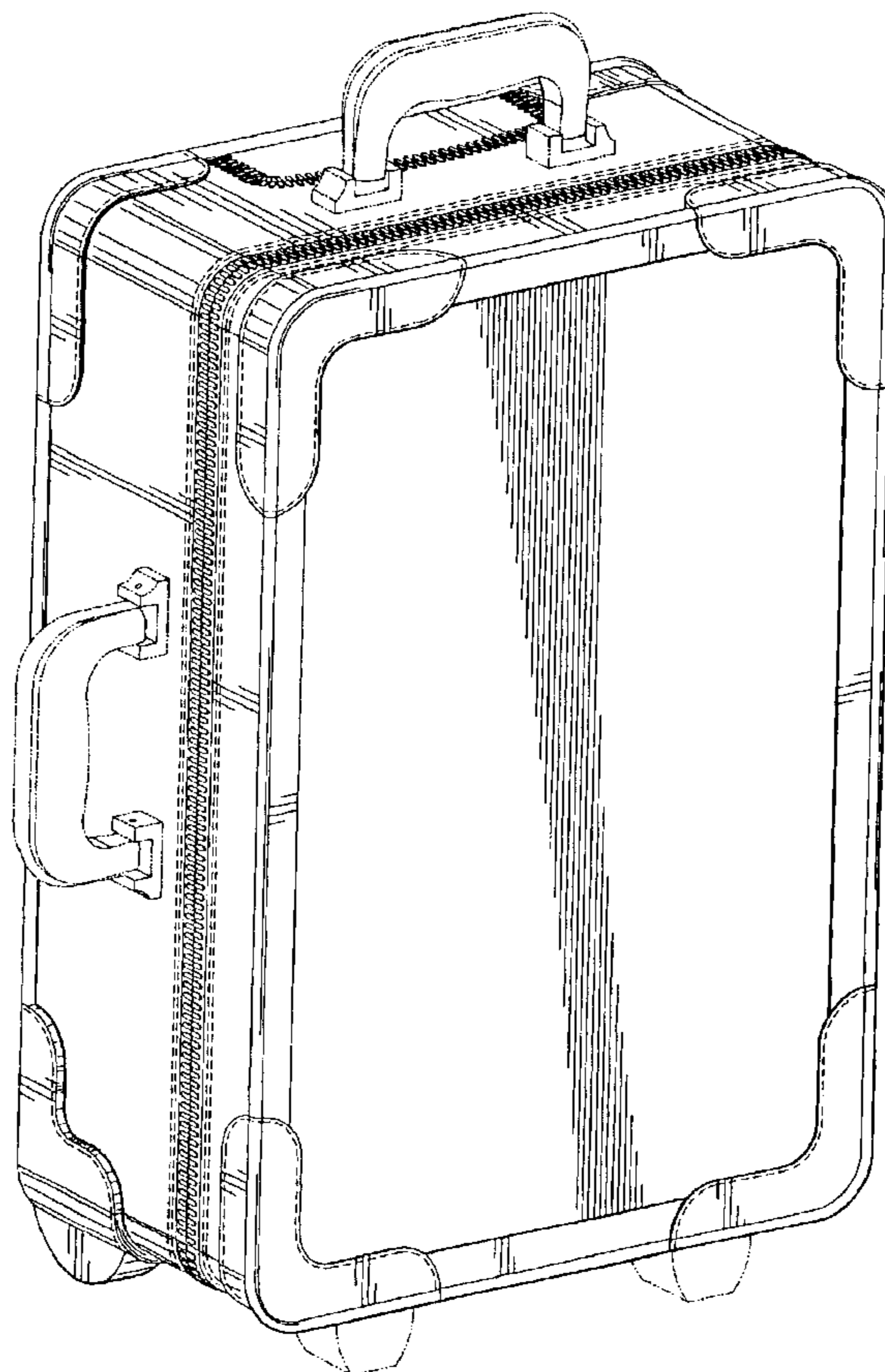
FIG. 6 is a top elevational showing of the ornamental design for the upright trunk of FIG. 1.

FIG. 7 is a bottom elevational showing of the ornamental design for the upright trunk of FIG. 1; and,

FIG. 8 is a rear perspective showing of the ornamental design for the upright trunk of the present invention with an open flap and an exemplary extended telescoping handle.

The subject matter shown in broken lines forms no part of the claimed design.

**1 Claim, 7 Drawing Sheets**



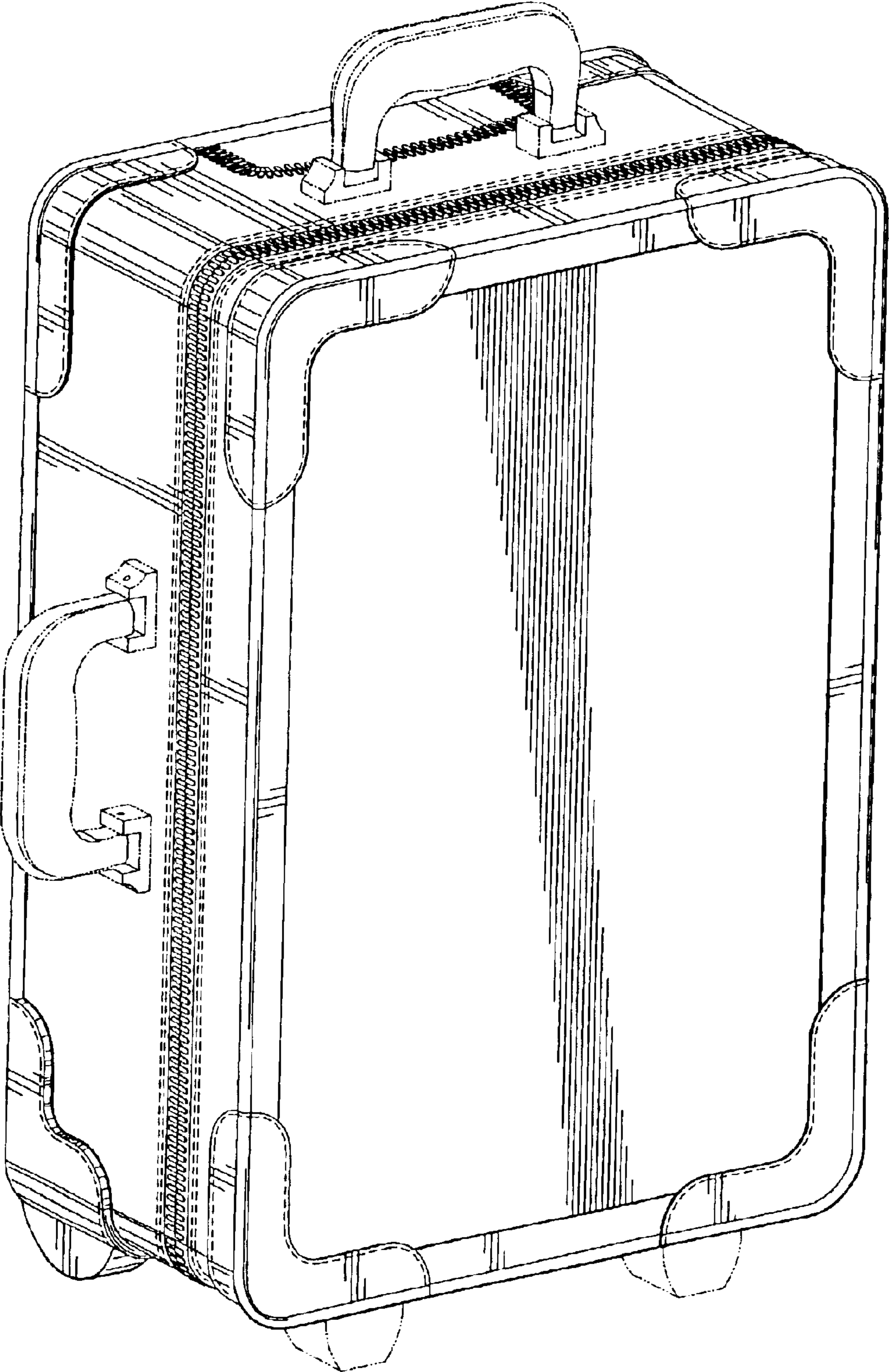


FIG. 1

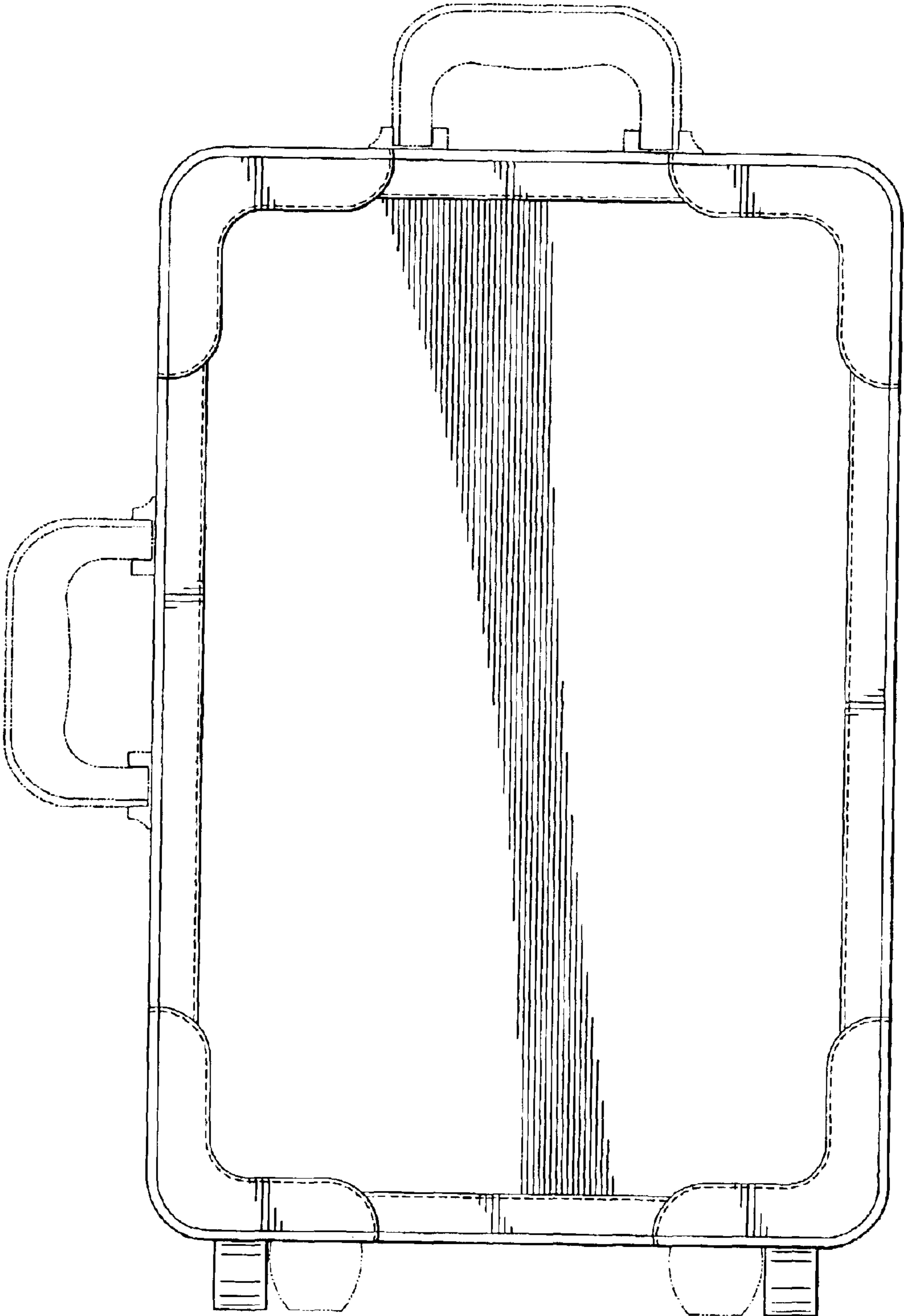


FIG. 2

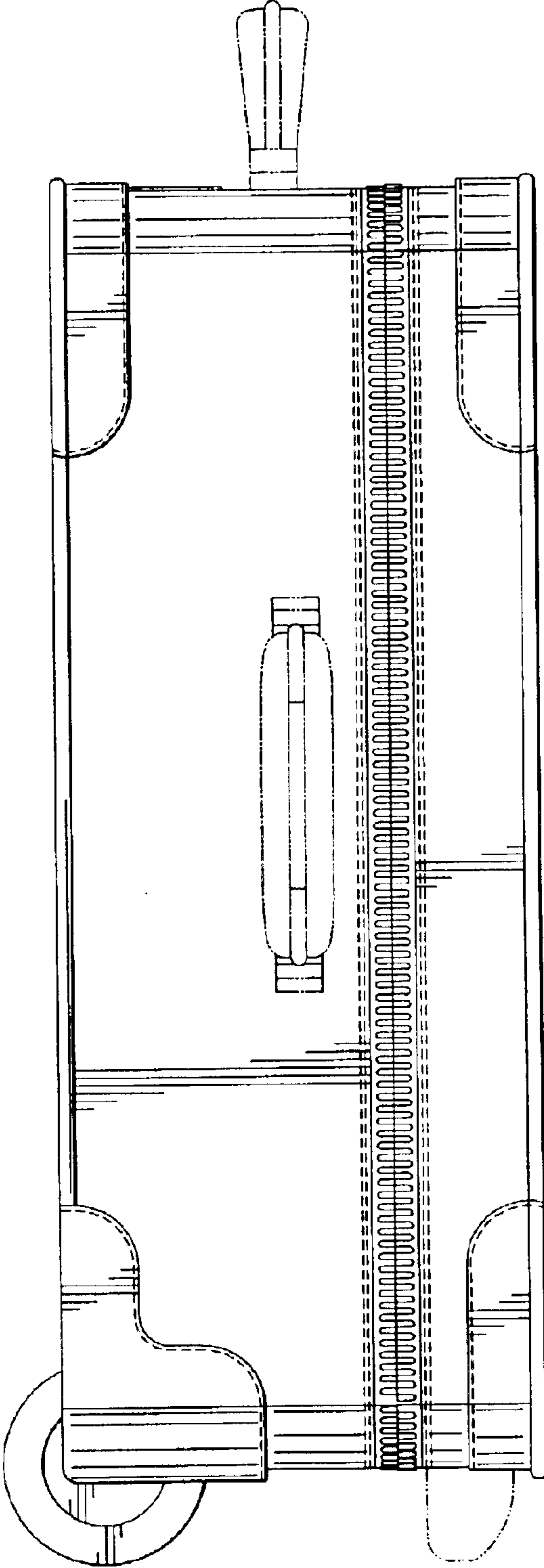


FIG. 3



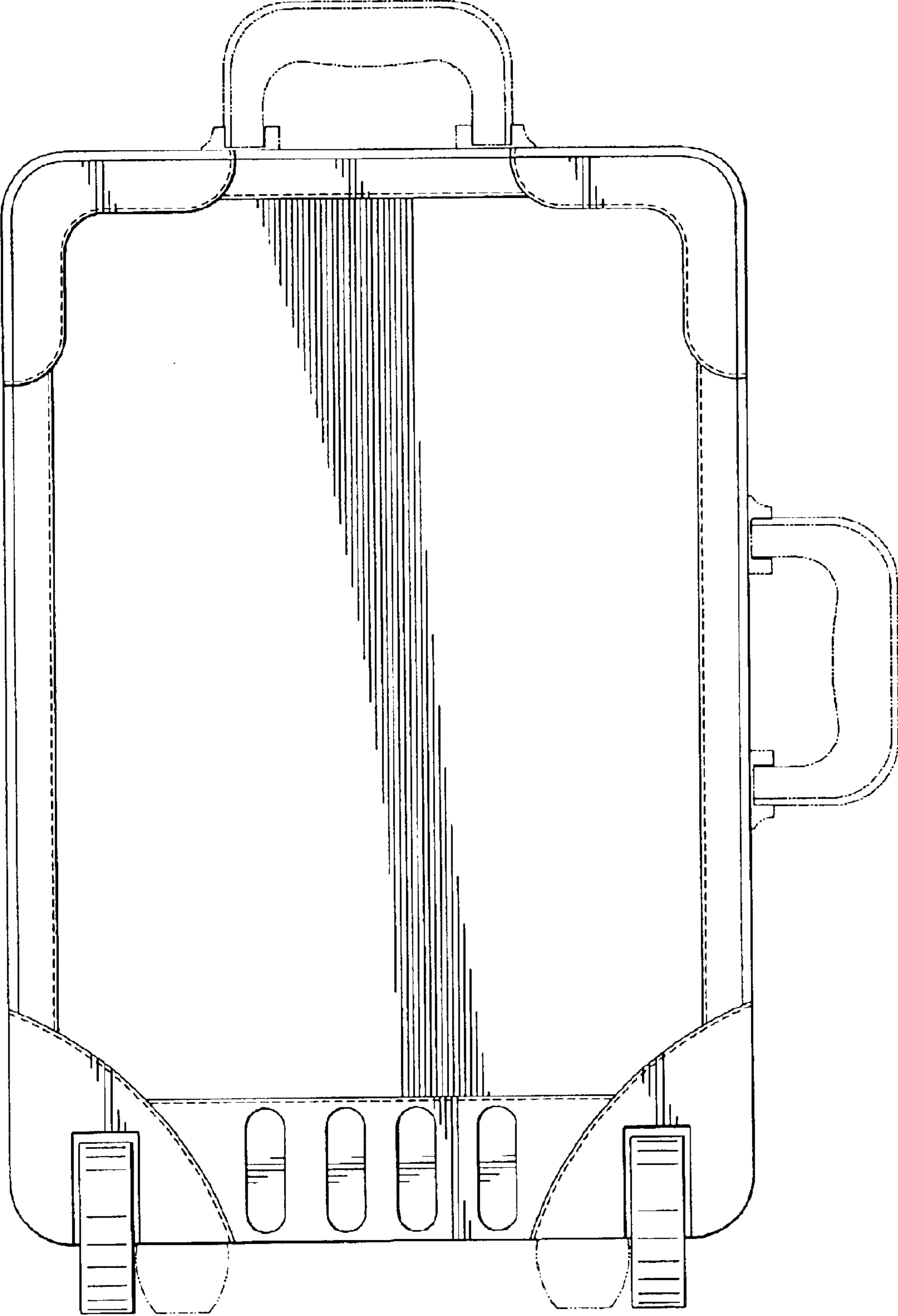


FIG. 4

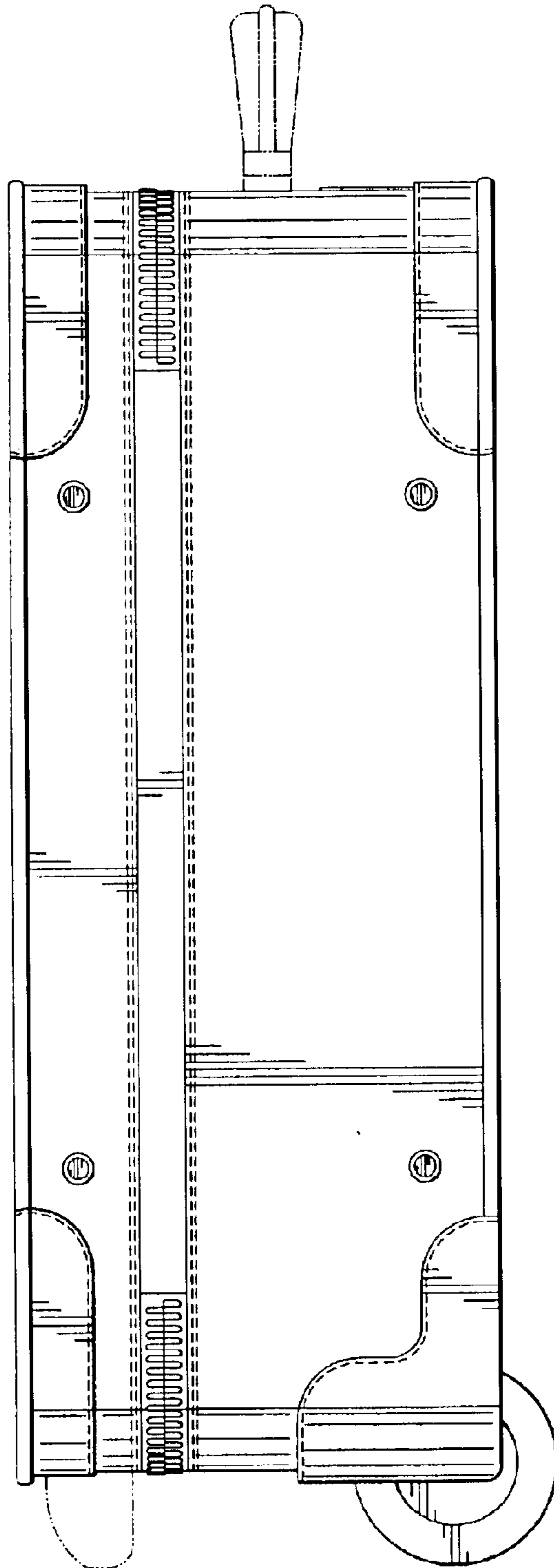


FIG. 5

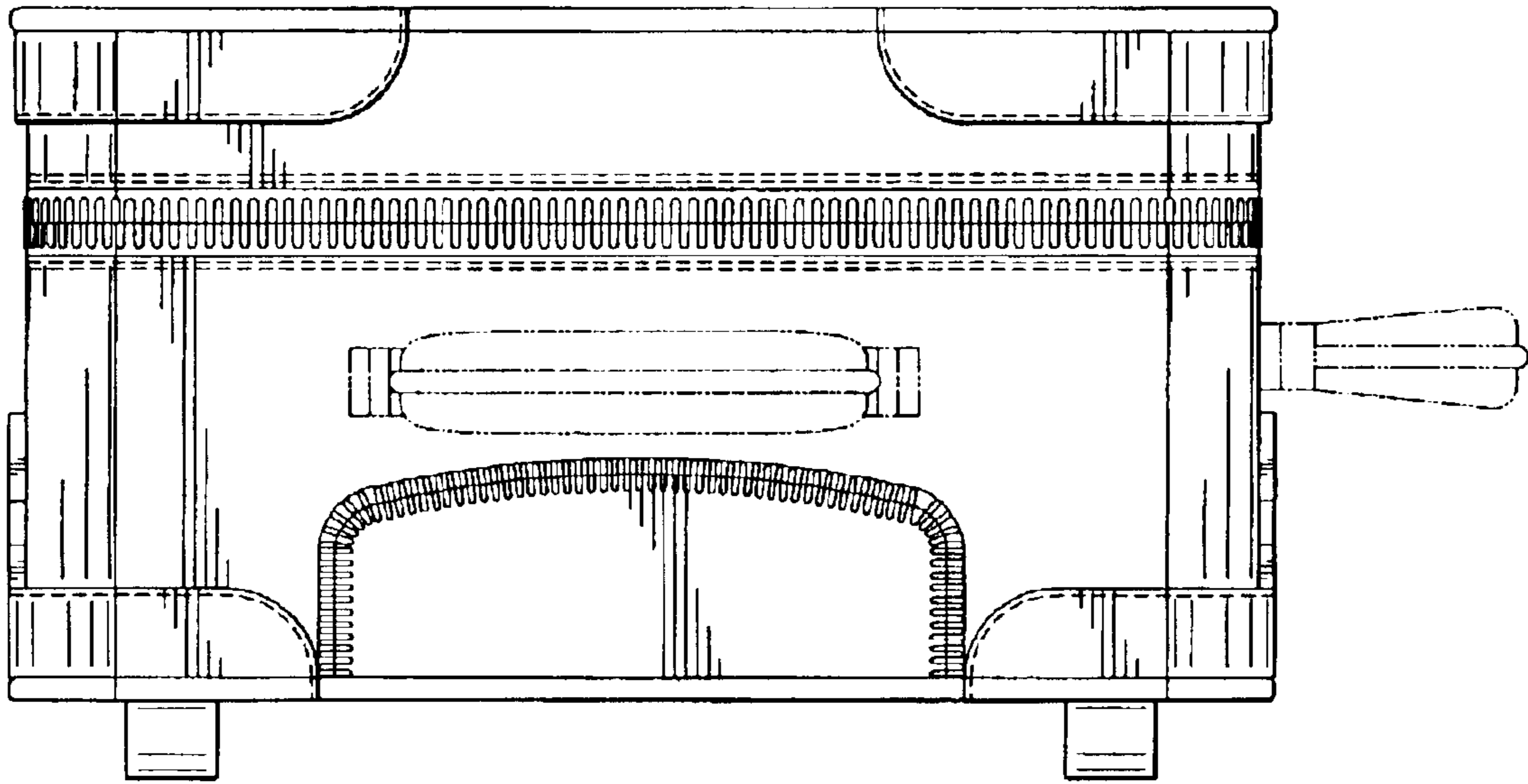


FIG. 6

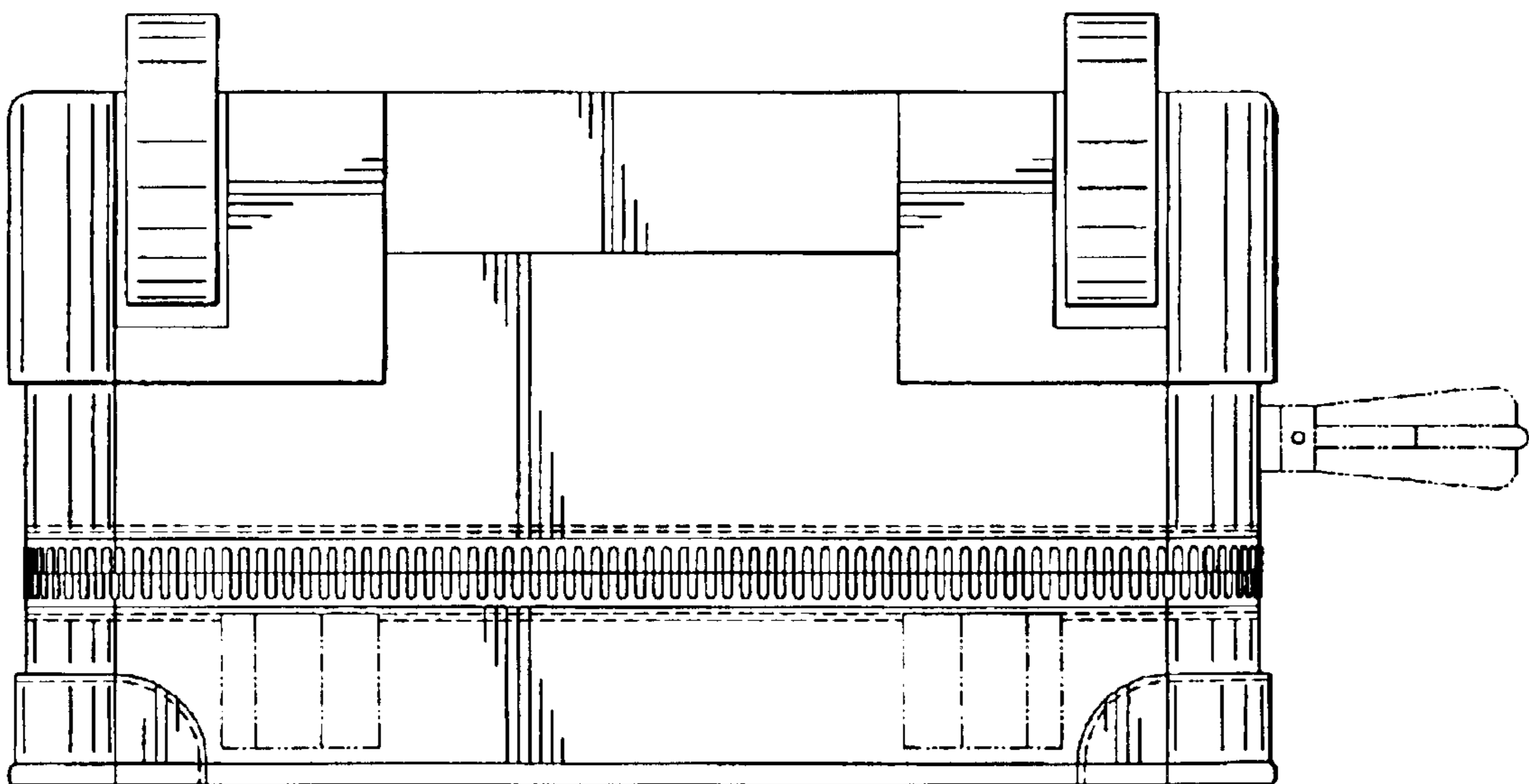


FIG. 7

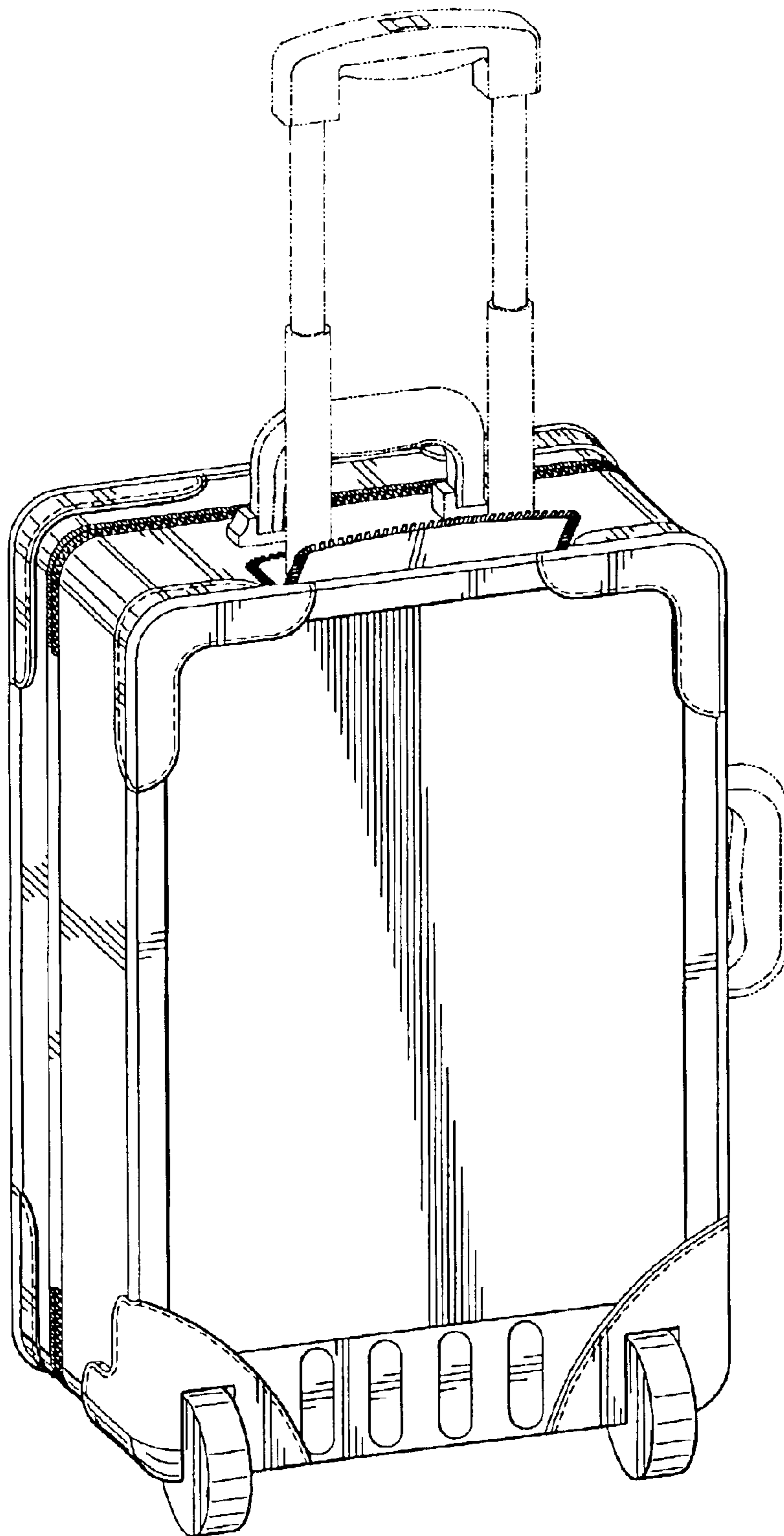


FIG. 8