

US00D498358S

(12) **United States Design Patent** (10) **Patent No.:** **US D498,358 S**
Wolff (45) **Date of Patent:** **** Nov. 16, 2004**

(54) **RETRACTABLE BADGE REEL**

(76) Inventor: **Stephen H. Wolff**, 271 North Ave.,
New Rochelle, NY (US) 10801

(**) Term: **14 Years**

(21) Appl. No.: **29/193,159**

(22) Filed: **Nov. 4, 2003**

(51) **LOC (7) Cl.** **03-01**

(52) **U.S. Cl.** **D3/215**

(58) **Field of Search** D3/215, 218, 219,
D3/221, 224, 226, 207-212; 40/1.5, 1.6,
661.04; 24/3.12, 3.13, 3.11

(56) **References Cited**

U.S. PATENT DOCUMENTS

6,226,905	B1	*	5/2001	Osuna	40/1.6
D471,005	S	*	3/2003	Hastings	D3/215
D485,981	S	*	2/2004	Romero	D3/215
2003/0093931	A1	*	5/2003	Cuff	40/1.6

* cited by examiner

Primary Examiner—Catherine R. Oliver

(74) *Attorney, Agent, or Firm*—Lerner, David, Littenberg,
Krumholz & Mentlik, LLP

(57) **CLAIM**

The ornamental design for a retractable badge reel, as shown and described.

DESCRIPTION

FIG. 1 is a front perspective view of a retractable badge reel, in accordance with the present invention;

FIG. 2 is a front perspective view of the retractable badge reel in its extended position;

FIG. 3 is a front view of the retractable badge reel shown in FIG. 1;

FIG. 4 is rear view of the retractable badge reel shown in FIG. 1;

FIG. 5 is a right side plan view of the retractable badge reel shown in FIG. 1, the left side being a mirror image thereof;

FIG. 6 is a top plan view of the retractable badge reel shown in FIG. 1; and,

FIG. 7 is a bottom plan view of the retractable badge reel shown in FIG. 1.

The broken line showing of environment is for illustrative purposes only and forms no part of the claimed design.

1 Claim, 3 Drawing Sheets

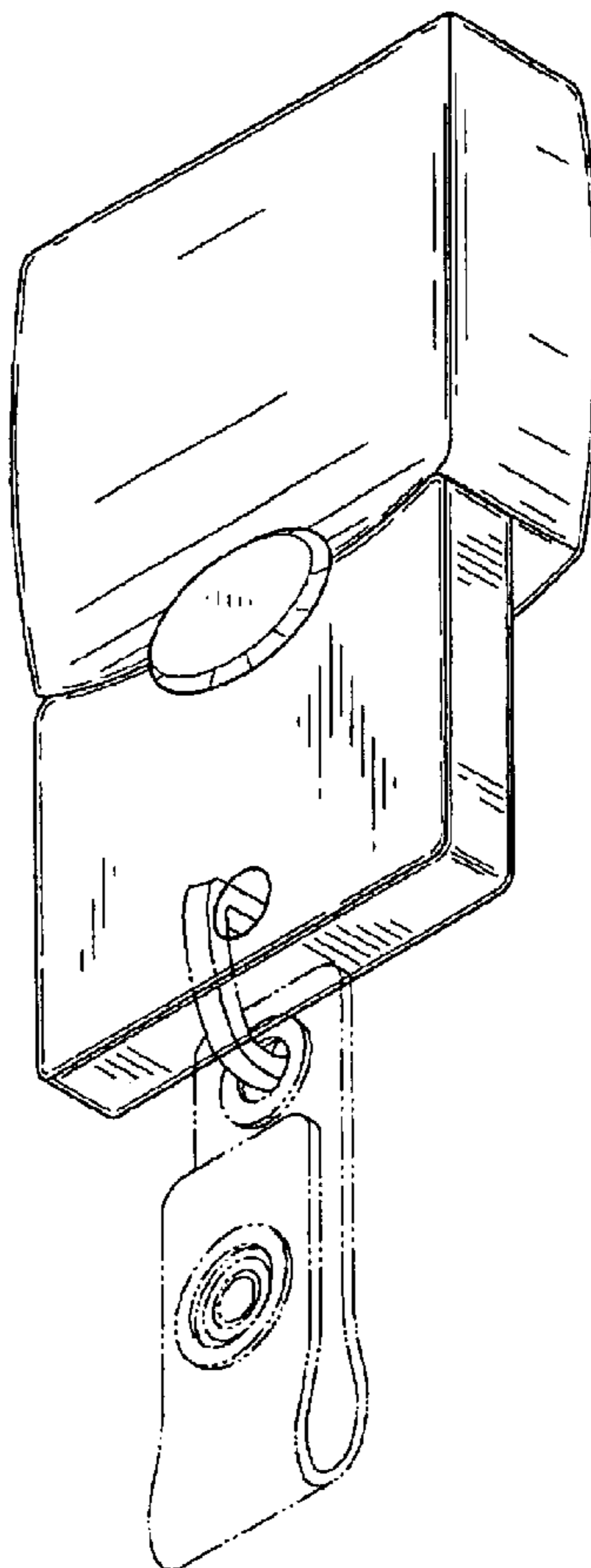


FIG. 1

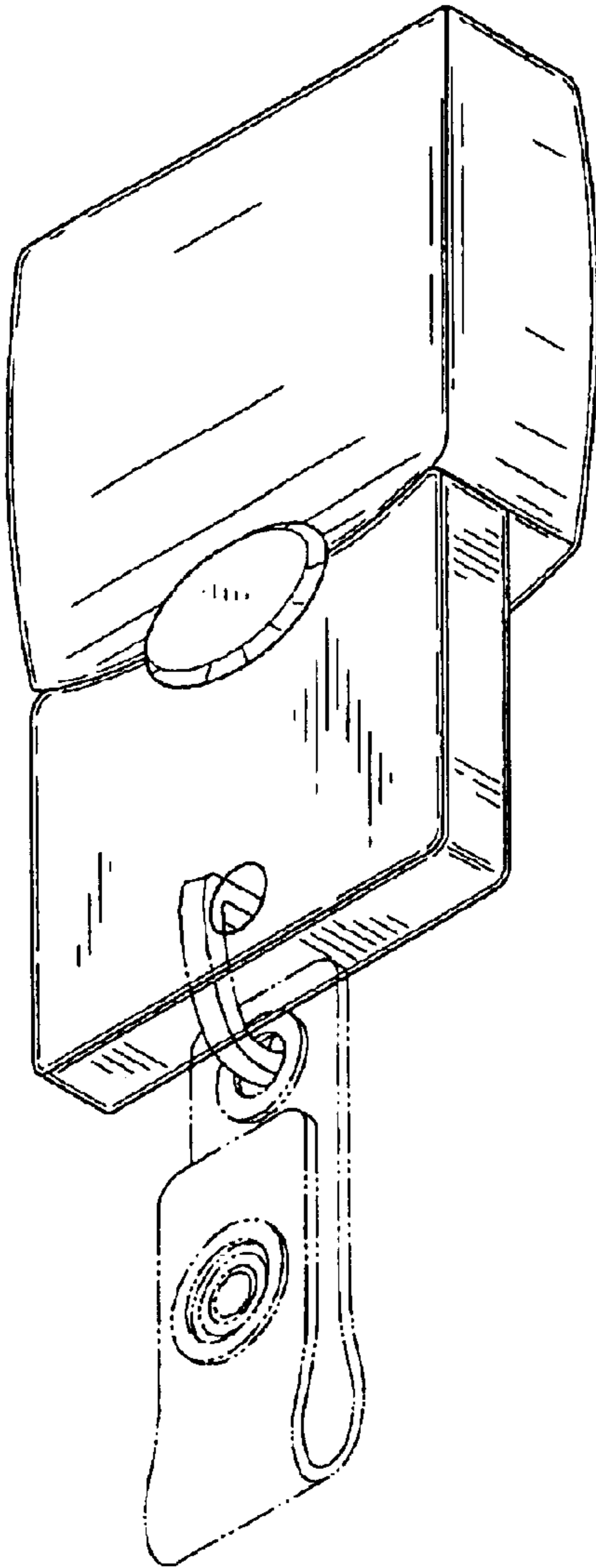


FIG. 2

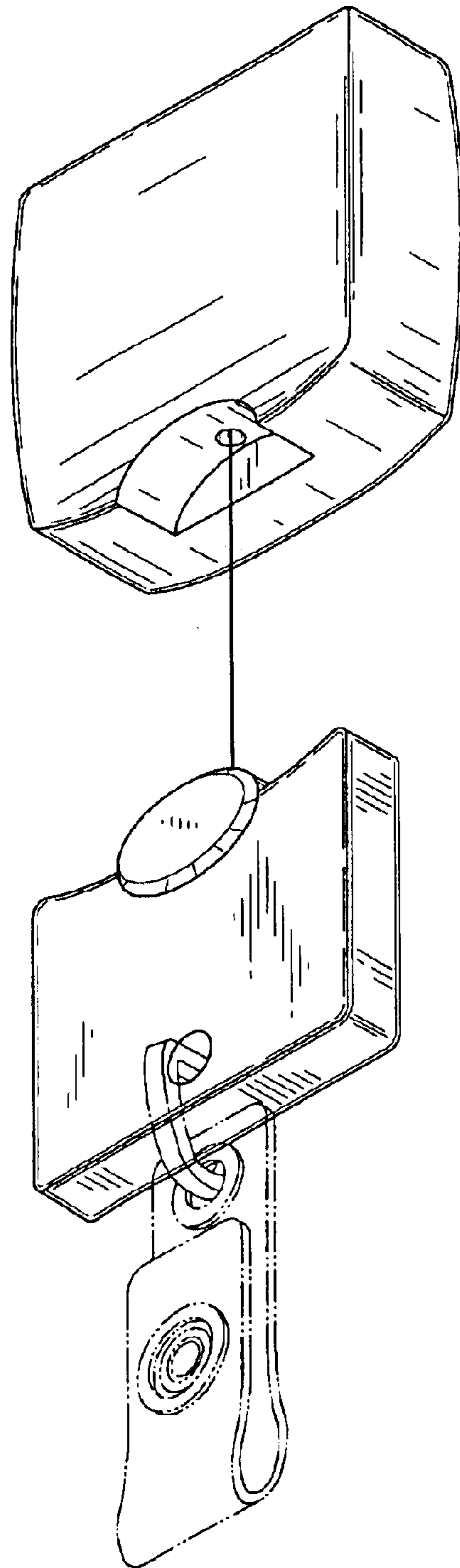


FIG. 3

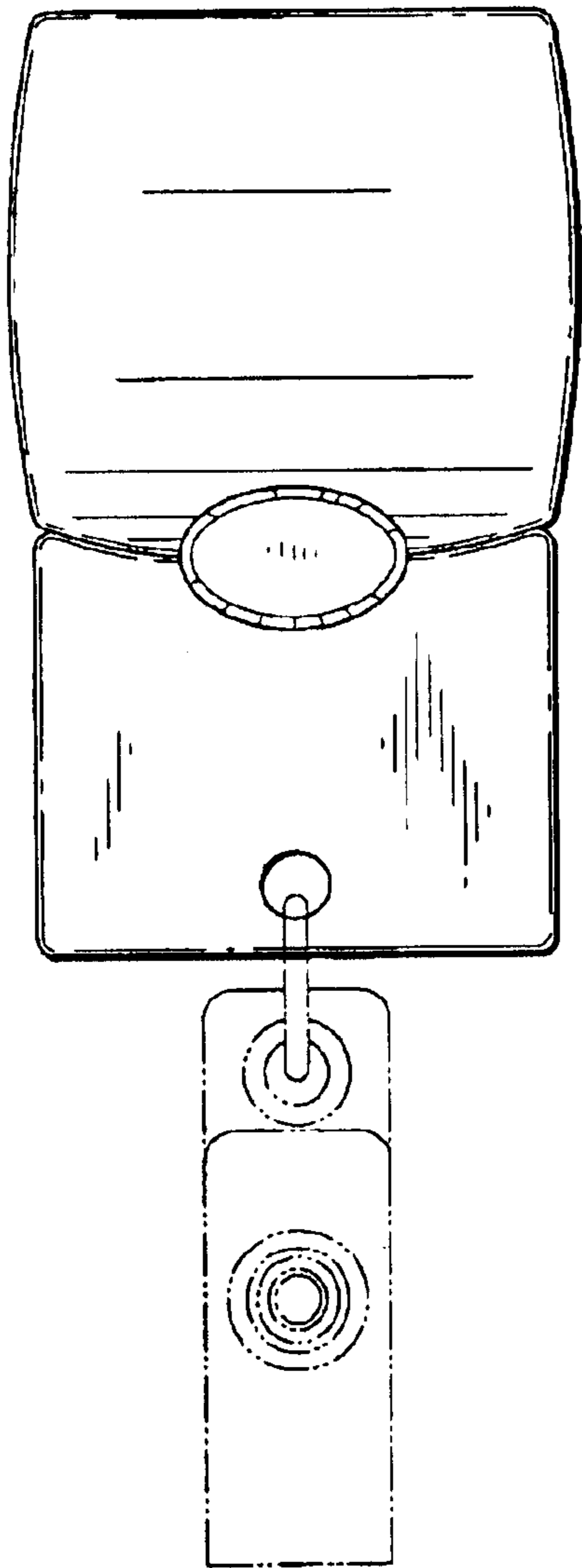


FIG. 4

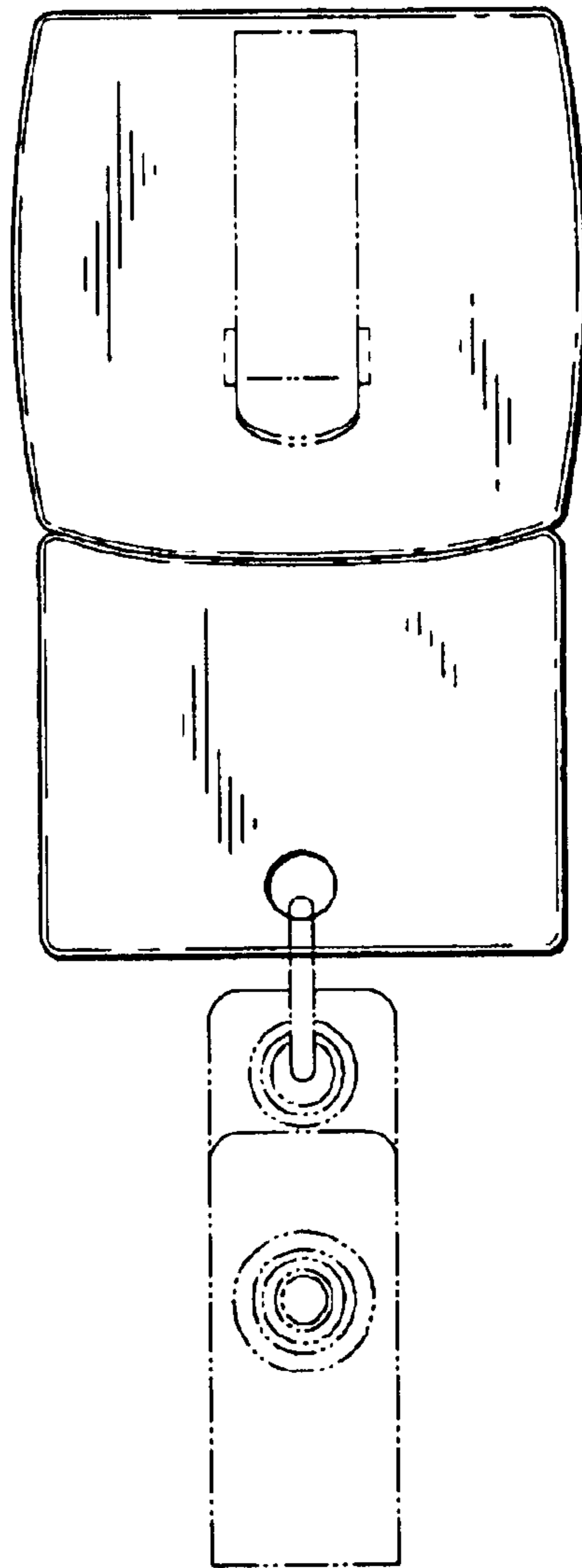


FIG. 5

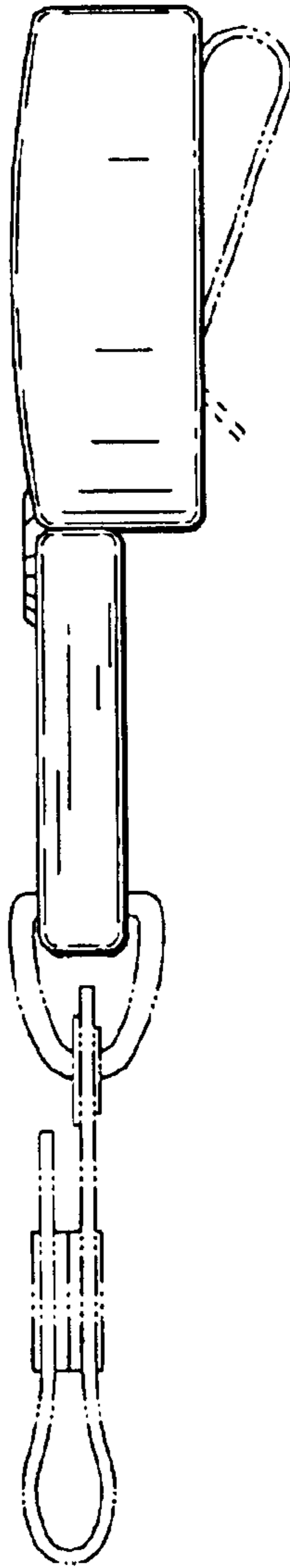


FIG. 6

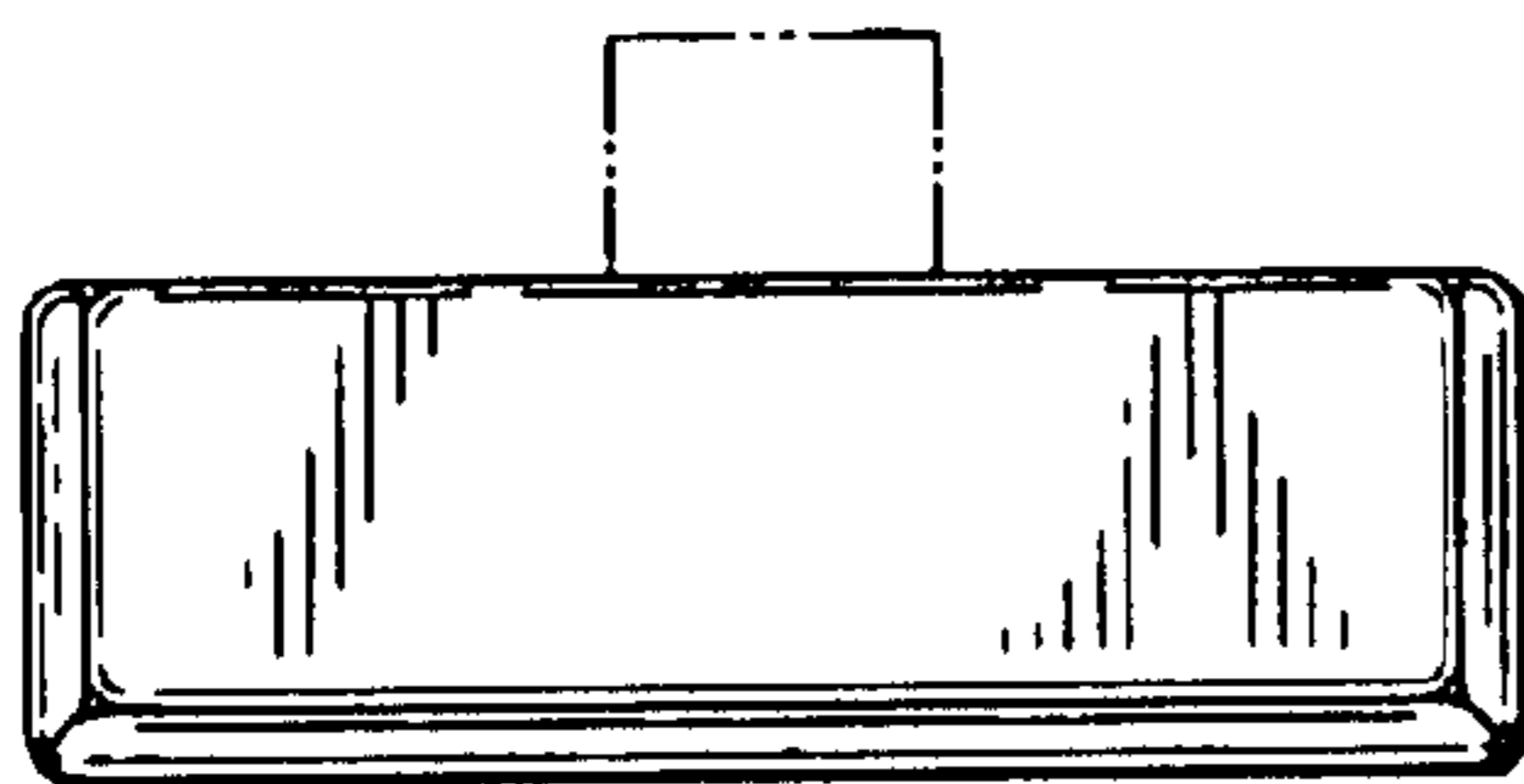


FIG. 7

