

US00D498340S

(12) **United States Design Patent**
Parker et al.

(10) **Patent No.:** **US D498,340 S**

(45) **Date of Patent:** **** Nov. 9, 2004**

(54) **CASKET DISH**

(75) Inventors: **Daniel J. Parker**, Connersville, IN
(US); **Jamie D. Riddle**, Sunman, IN
(US); **Greg Wray**, Guilford, IN (US)

(73) Assignee: **Batesville Services, Inc.**, Batesville, IN
(US)

(**) Term: **14 Years**

(21) Appl. No.: **29/192,035**

(22) Filed: **Oct. 16, 2003**

(51) **LOC (7) Cl.** **99-00**

(52) **U.S. Cl.** **D99/8; D99/10**

(58) **Field of Search** D99/1, 2, 7, 8,
D99/10; 27/1-3, 7, 14, 15, 19, 20

(56) **References Cited**

U.S. PATENT DOCUMENTS

- 2,964,824 A * 12/1960 Hillenbrand 27/19
- 4,962,574 A * 10/1990 Estes 27/2
- 5,088,167 A * 2/1992 Rahe 27/1
- D338,313 S * 8/1993 Beardsley D99/1
- 5,636,419 A 6/1997 Foye

- 5,675,877 A * 10/1997 Lewis 27/19
- D414,308 S 9/1999 Agee et al.
- D424,779 S * 5/2000 Agee et al. D99/1
- D435,954 S * 1/2001 Biondo D99/10
- D446,624 S * 8/2001 Hankel et al. D99/10

* cited by examiner

Primary Examiner—Paula A. Greene

(74) *Attorney, Agent, or Firm*—Wood, Herron & Evans, LLP

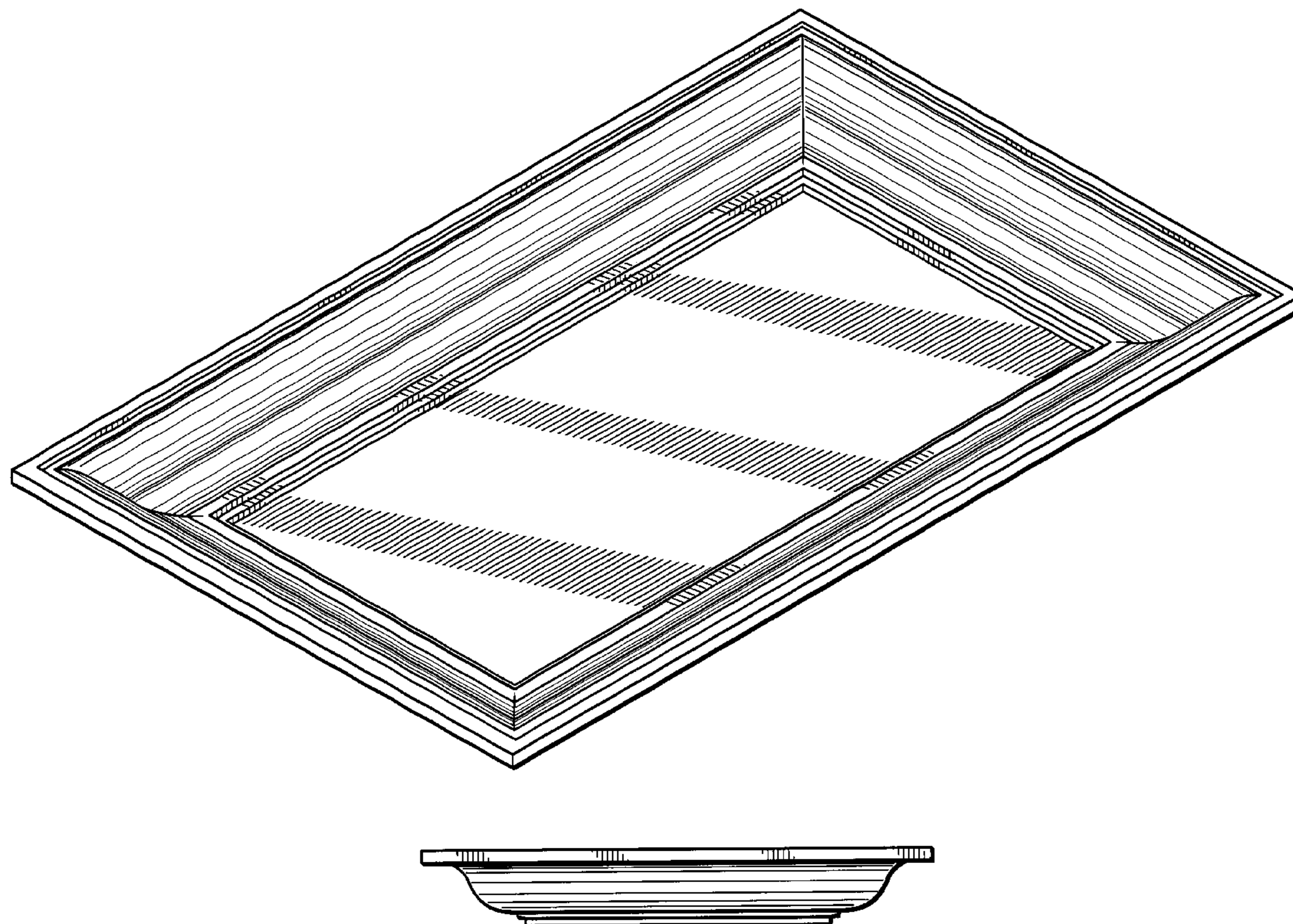
(57) **CLAIM**

The ornamental design for a casket dish, as shown and described.

DESCRIPTION

FIG. 1 is a perspective view of our new, original and ornamental design for a casket dish;
 FIG. 2 is a top view thereof;
 FIG. 3 is a bottom view thereof;
 FIG. 4 is an end view thereof, the other end view being the same; and,
 FIG. 5 is a side elevational view thereof, the other side view being the same.

1 Claim, 3 Drawing Sheets



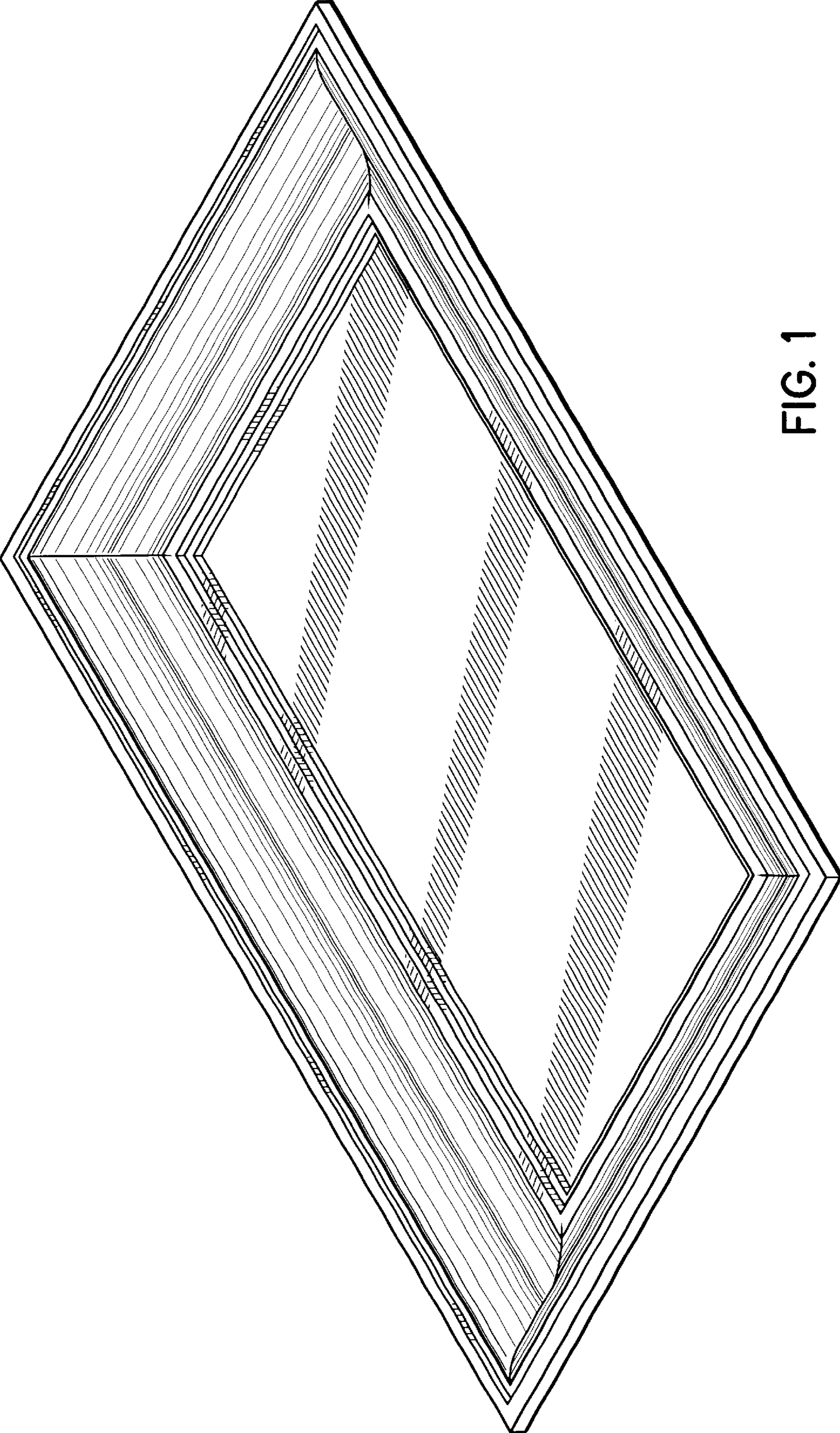


FIG. 1

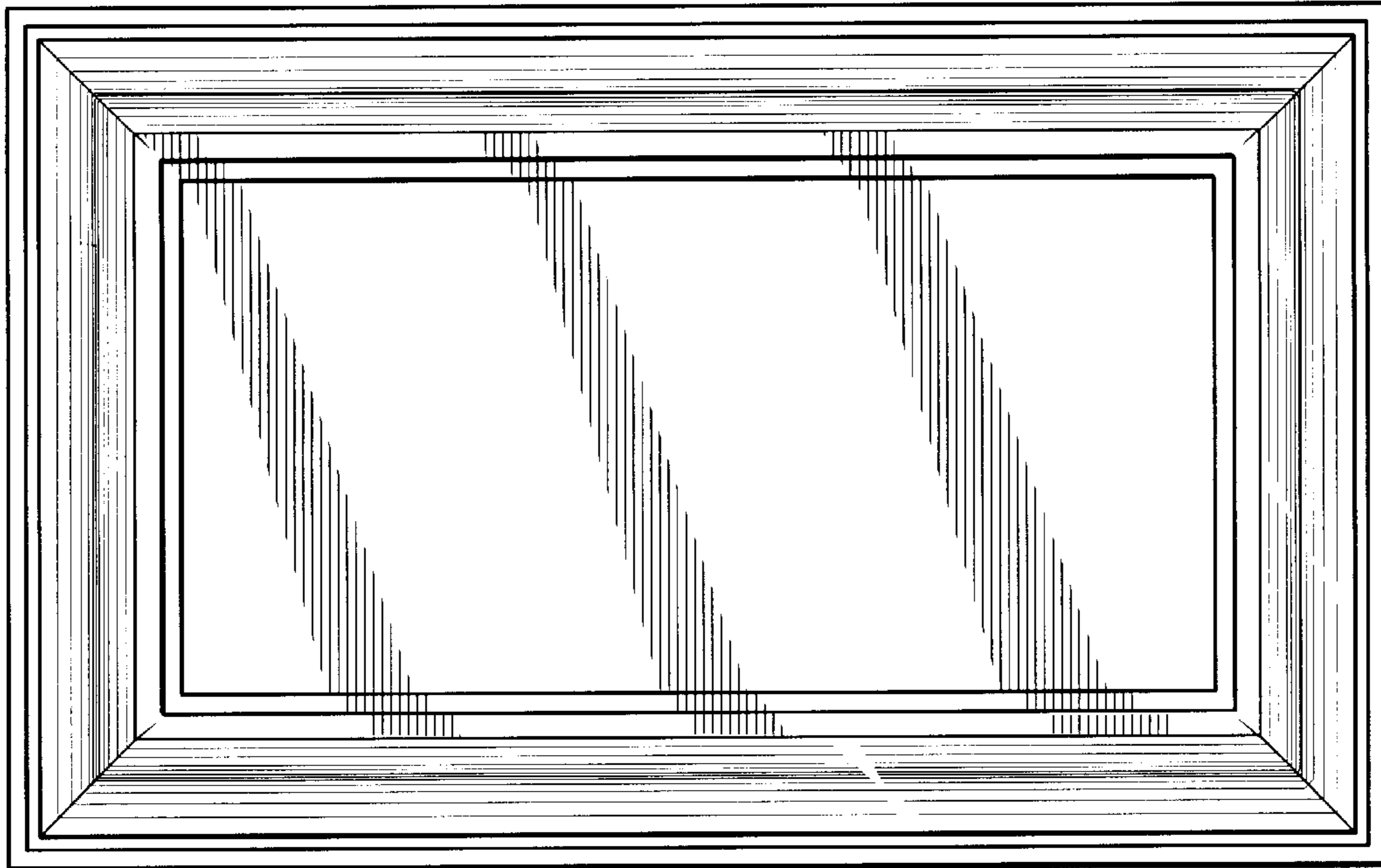


FIG. 2

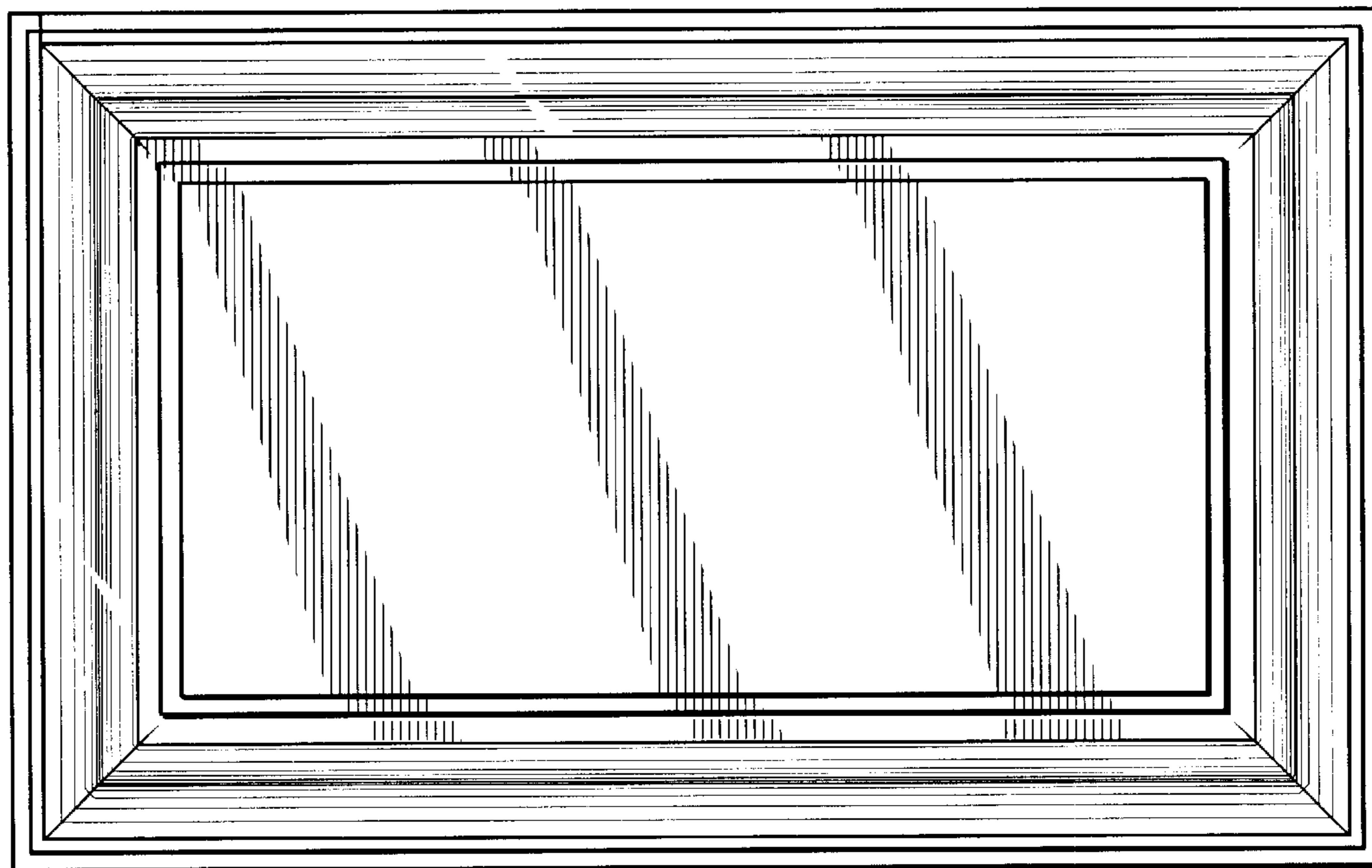


FIG. 3

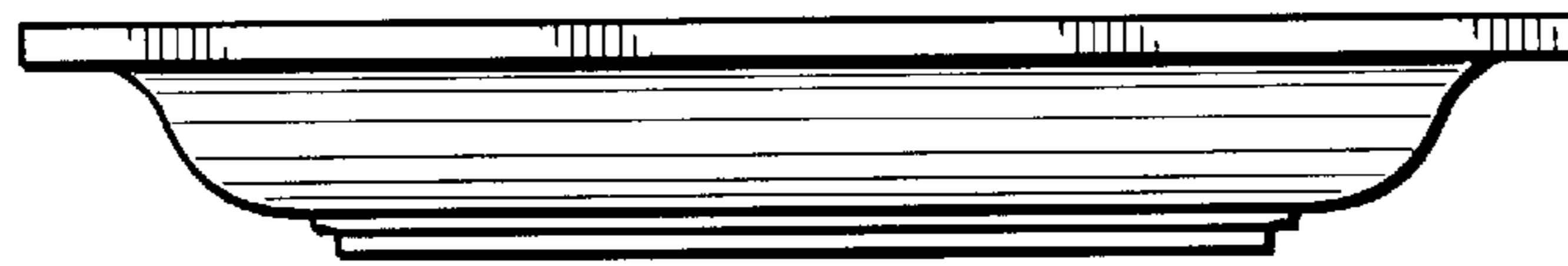


FIG. 4

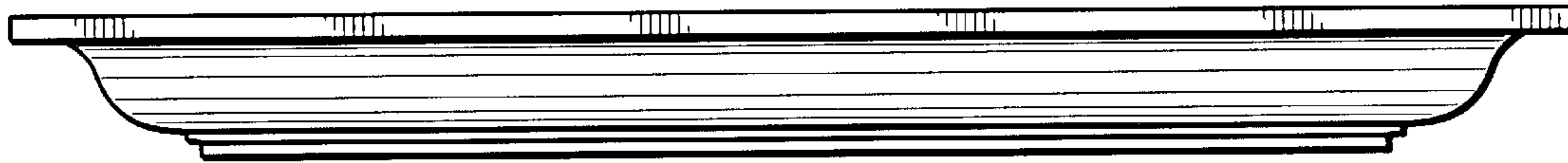


FIG. 5