

US00D498323S

(12) **United States Design Patent**  
**Dahlquist**

(10) **Patent No.:** **US D498,323 S**

(45) **Date of Patent:** **\*\* Nov. 9, 2004**

(54) **LIGHTING DEVICE**

FOREIGN PATENT DOCUMENTS

(75) Inventor: **Gunnar Dahlquist, Trollåsen (NO)**

NO 76200 2/2001

\* cited by examiner

(73) Assignee: **Advanced Light AS (NO)**

*Primary Examiner*—Clare E Heflin

(\*\*) Term: **14 Years**

(74) *Attorney, Agent, or Firm*—Nixon & Vanderhye PC

(21) Appl. No.: **29/176,779**

(57) **CLAIM**

(22) Filed: **Feb. 28, 2003**

The ornamental design for a “lighting device,” as shown and described.

(51) **LOC (7) Cl.** ..... **26-05**

**DESCRIPTION**

(52) **U.S. Cl.** ..... **D26/67**

(58) **Field of Search** ..... D26/61–66, 72,  
D26/74, 82–85, 87–92; 362/153, 153.1,  
267, 310, 375

The illustrated lighting device is to be placed in a housing lowered into the ground. The top face of the lighting device is intended to be flush with the ground. The lighting device is primarily for indication of runways and taxiways and allowable direction of traffic for air craft, but may also be used as indicator on common traffic roads.

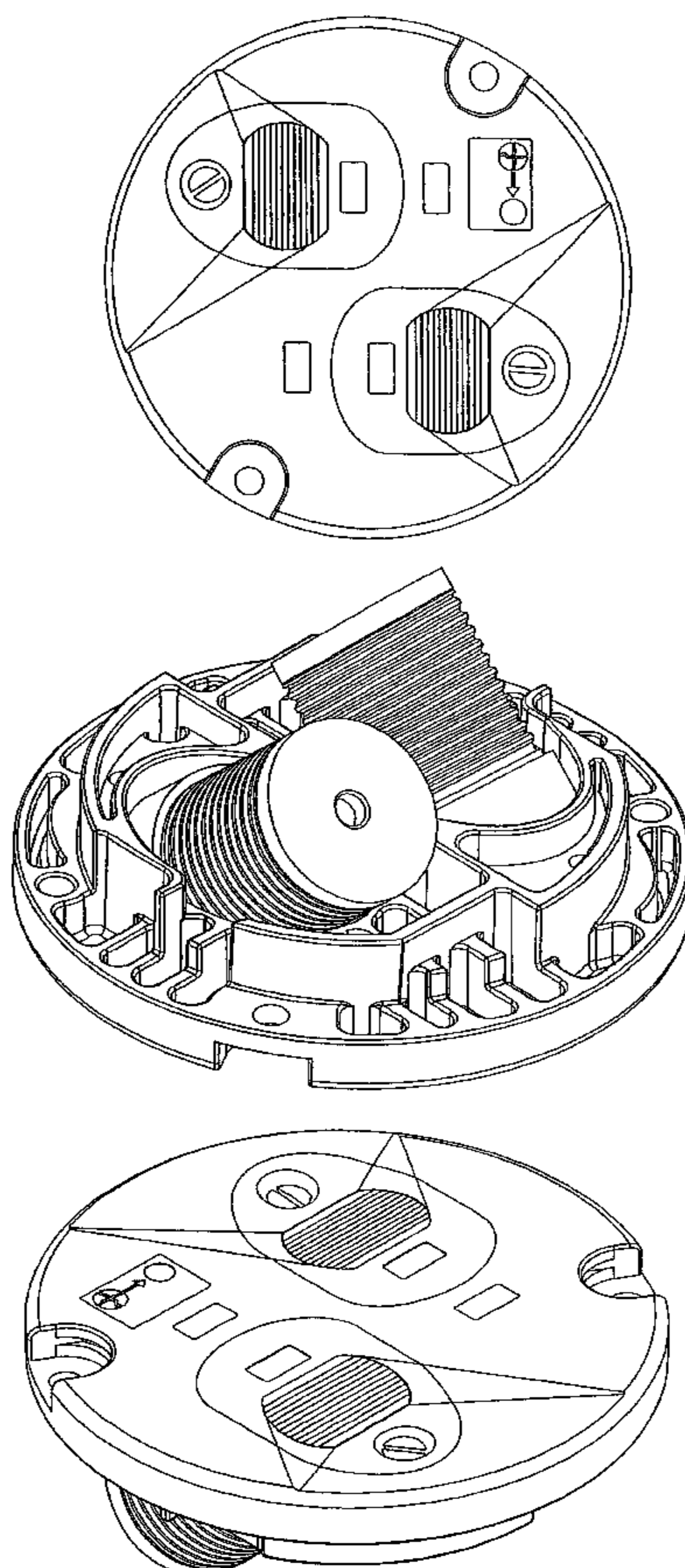
(56) **References Cited**

U.S. PATENT DOCUMENTS

1,965,784	A	*	7/1934	Utrecht	.....	200/51.04
3,353,013	A		11/1967	Robertson et al.		
D318,344	S		7/1991	Arts	.....	D26/113
5,335,151	A		8/1994	Dahlberg		
5,662,411	A	*	9/1997	Haslam et al.	.....	362/276
5,676,448	A	*	10/1997	Urbaing	.....	362/153.1
6,669,351	B1	*	12/2003	Shea et al.	.....	362/153.1
2002/0044444	A1	*	4/2002	Forster	.....	362/153.1
2003/0048634	A1	*	3/2003	You et al.	.....	362/153.1
2003/0179571	A1	*	9/2003	Reinert, Sr.	.....	362/153

FIG. 1 is a top plan view of the lighting device in accordance with the new design;  
FIG. 2 is a right side view thereof;  
FIG. 3 is a front view thereof;  
FIG. 4 is a bottom plan view thereof;  
FIG. 5 is a left side view thereof;  
FIG. 6 is a rear view thereof;  
FIG. 7 is a bottom isometric view thereof; and,  
FIG. 8 is a top isometric view thereof.

**1 Claim, 8 Drawing Sheets**



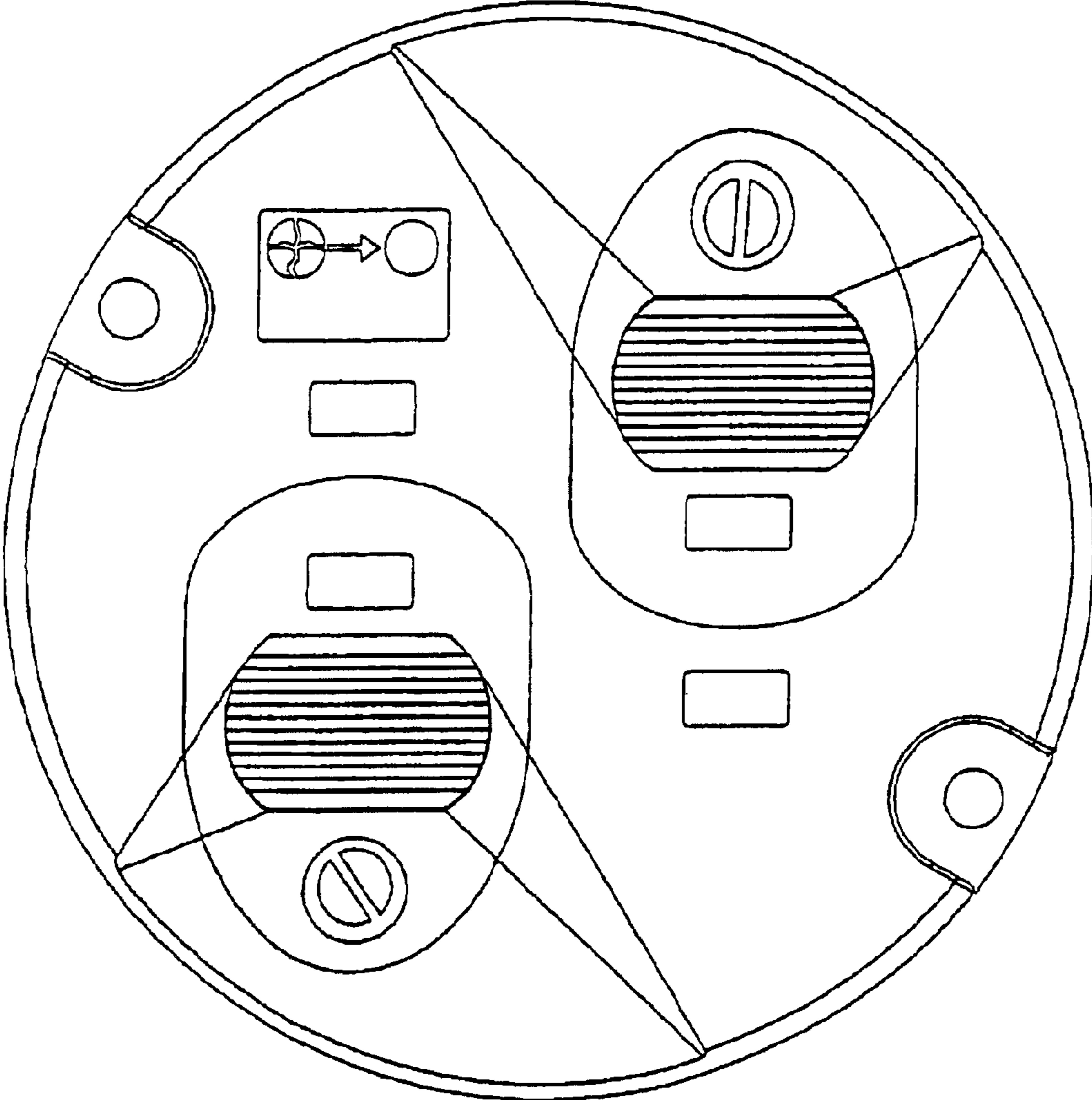


FIGURE 1

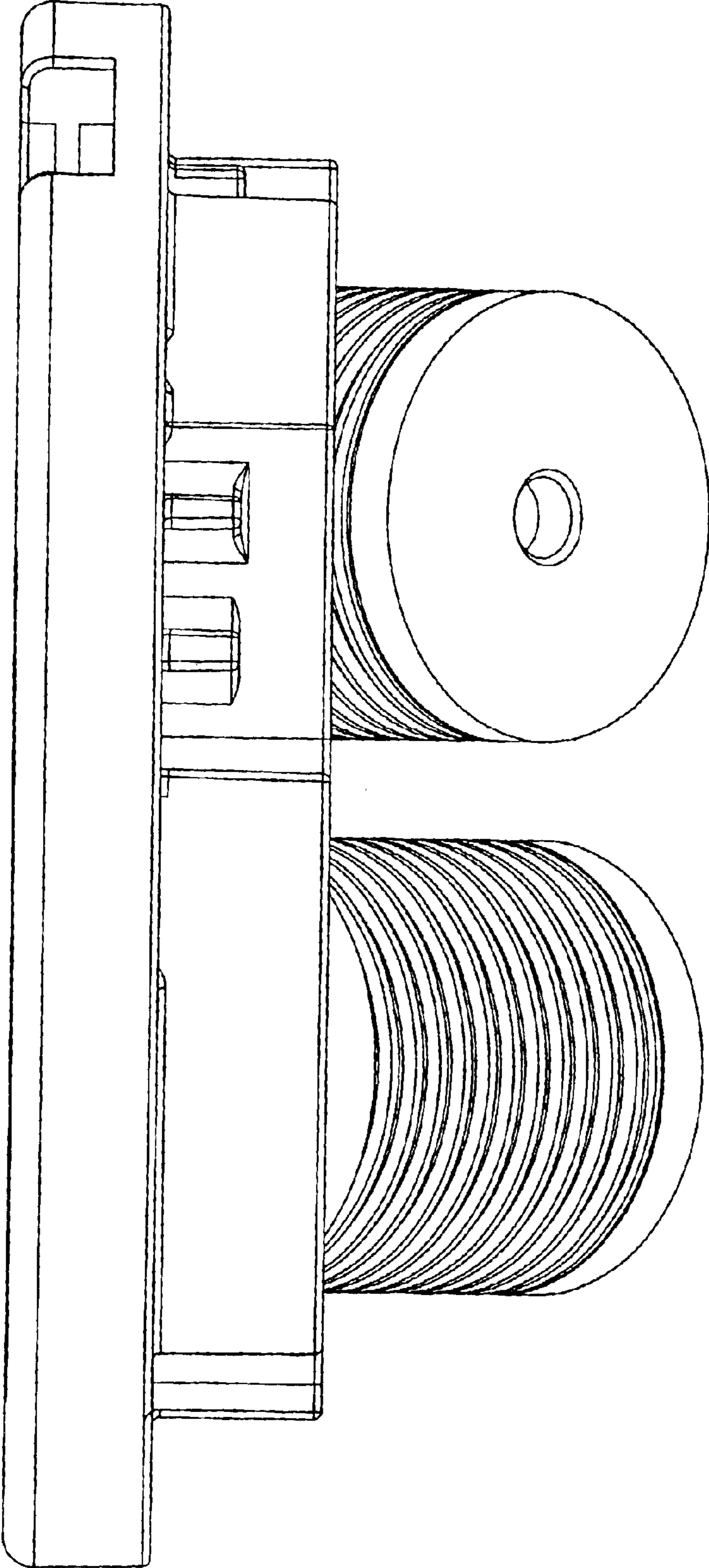


FIGURE 2

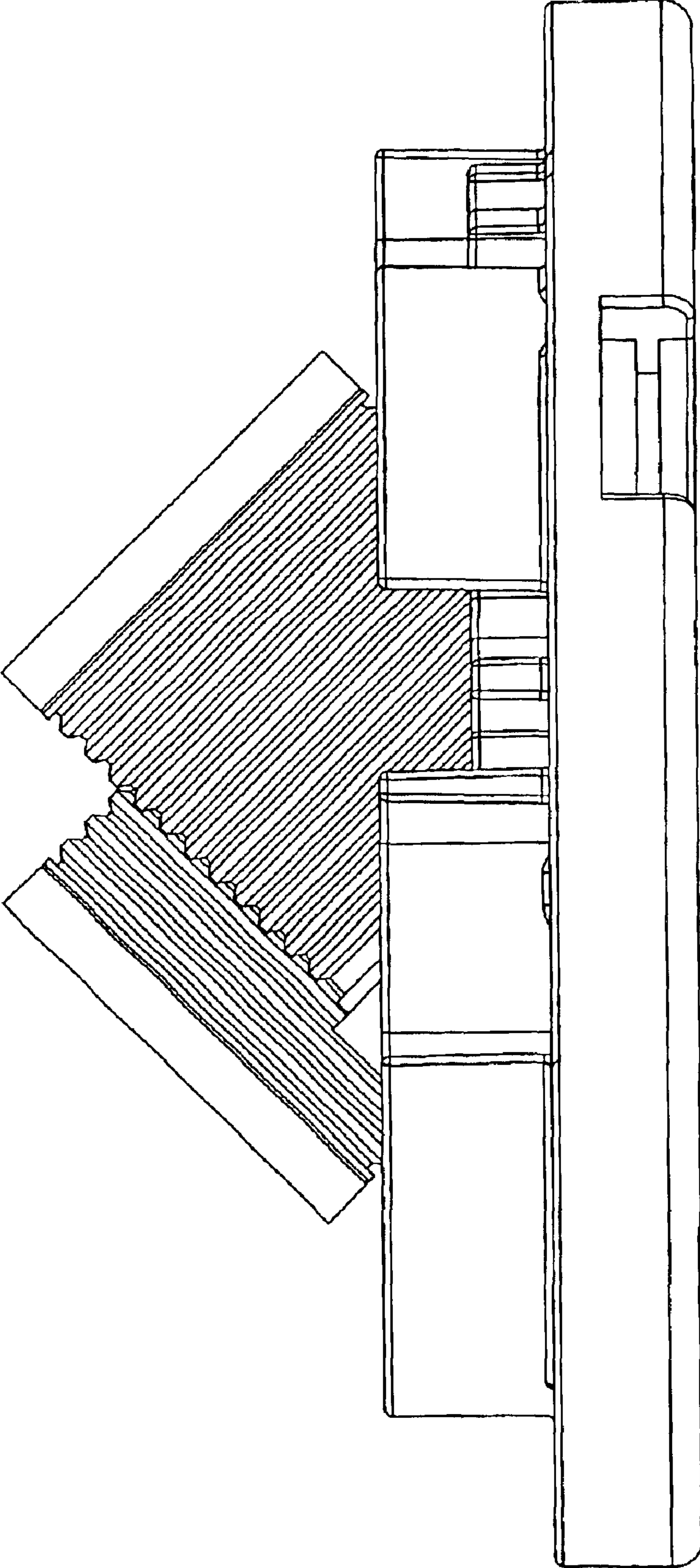


FIGURE 3

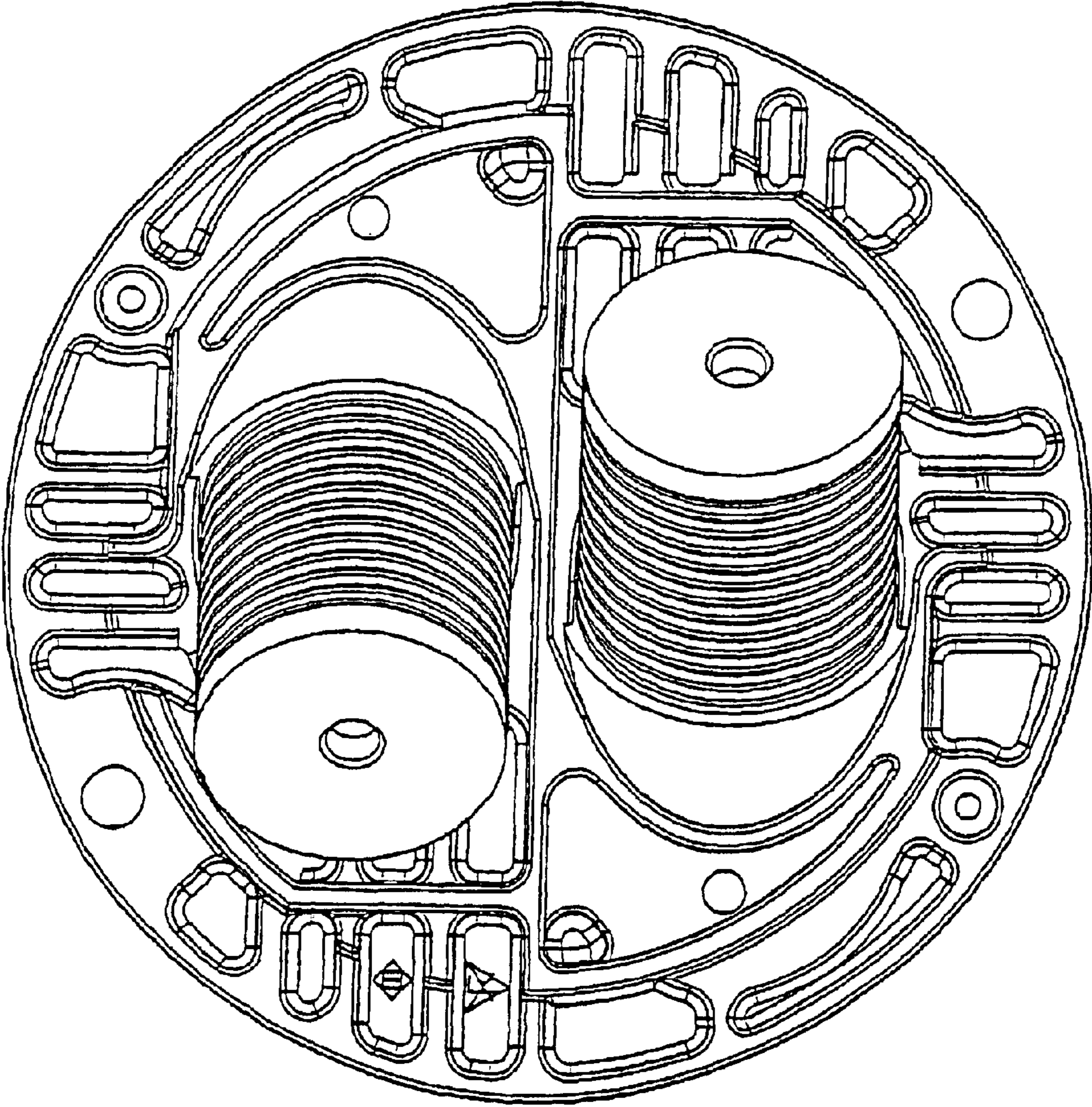


FIGURE 4

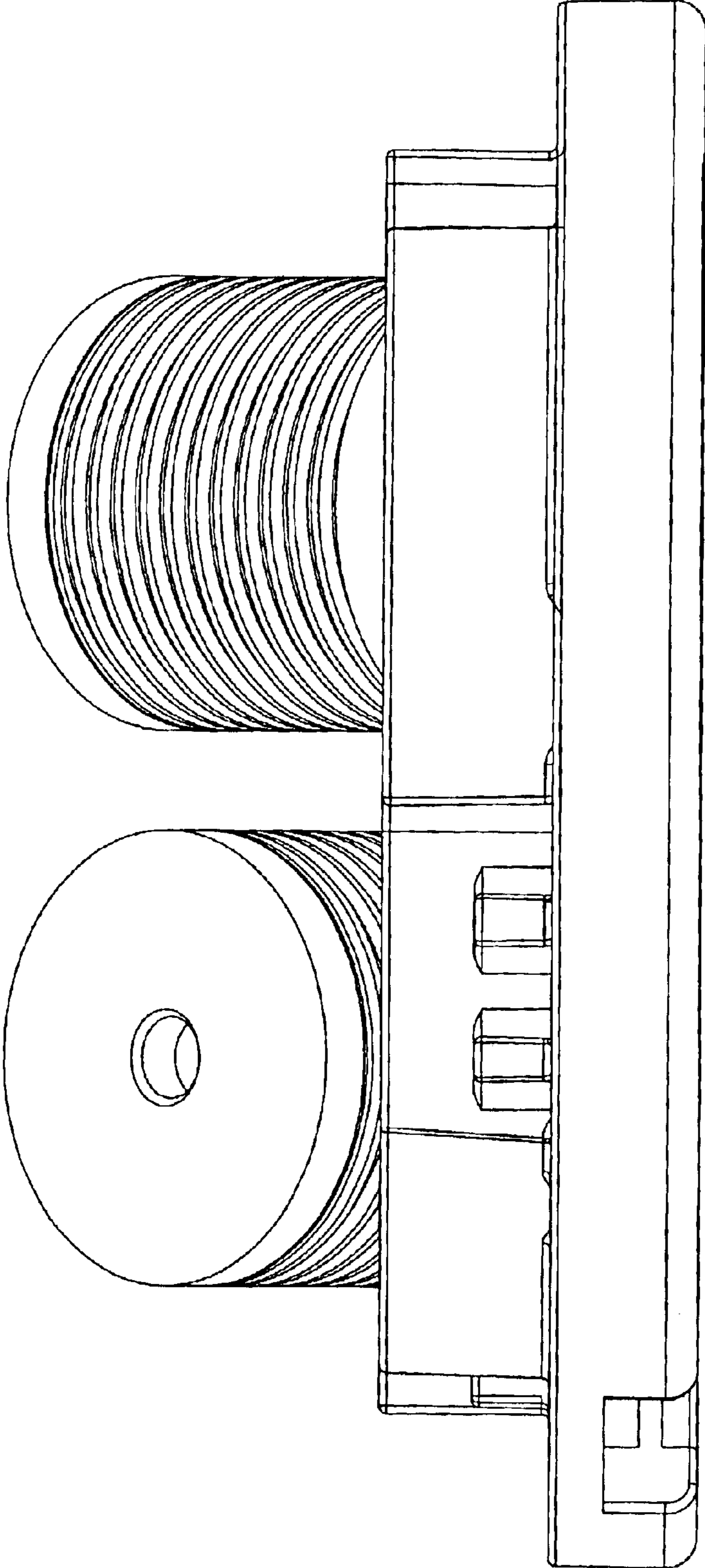


FIGURE 5

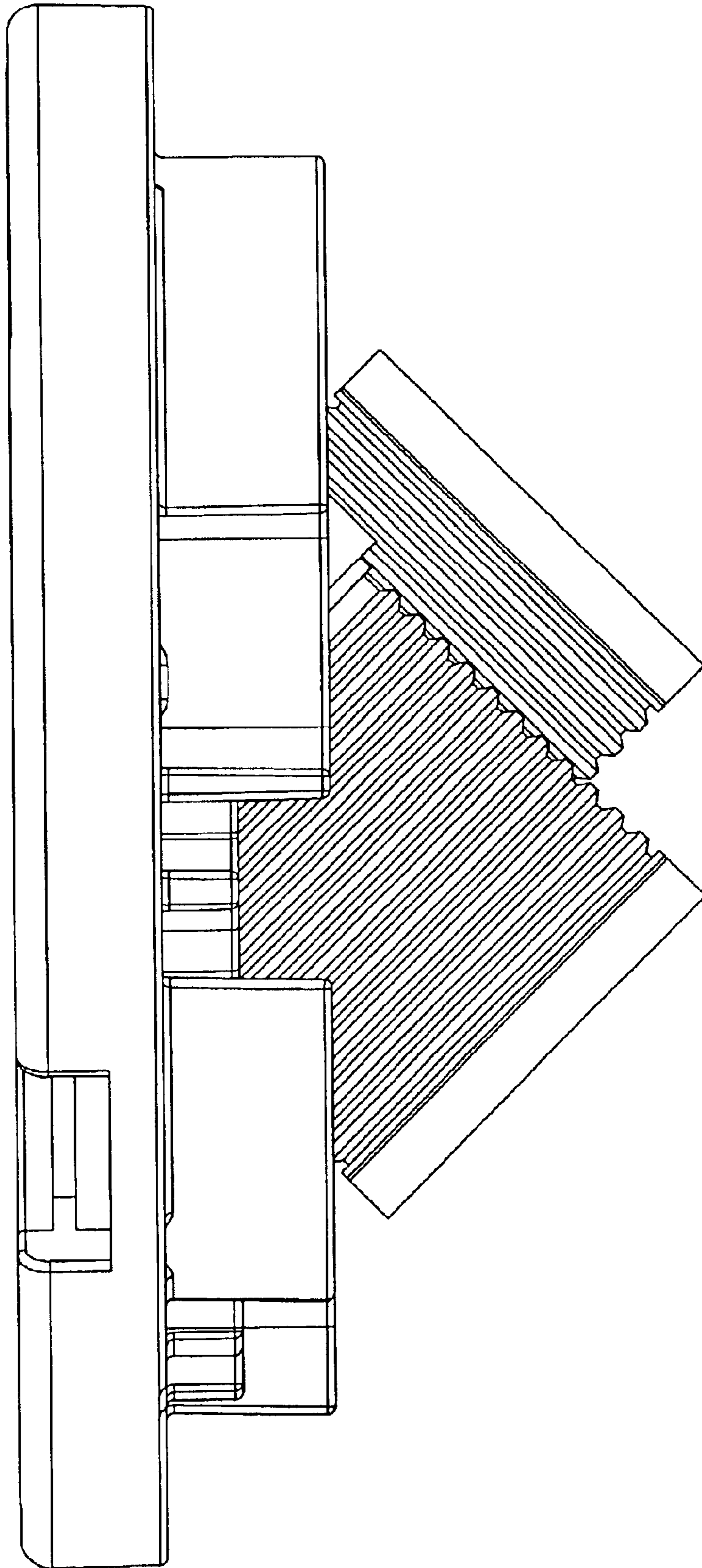


FIGURE 6

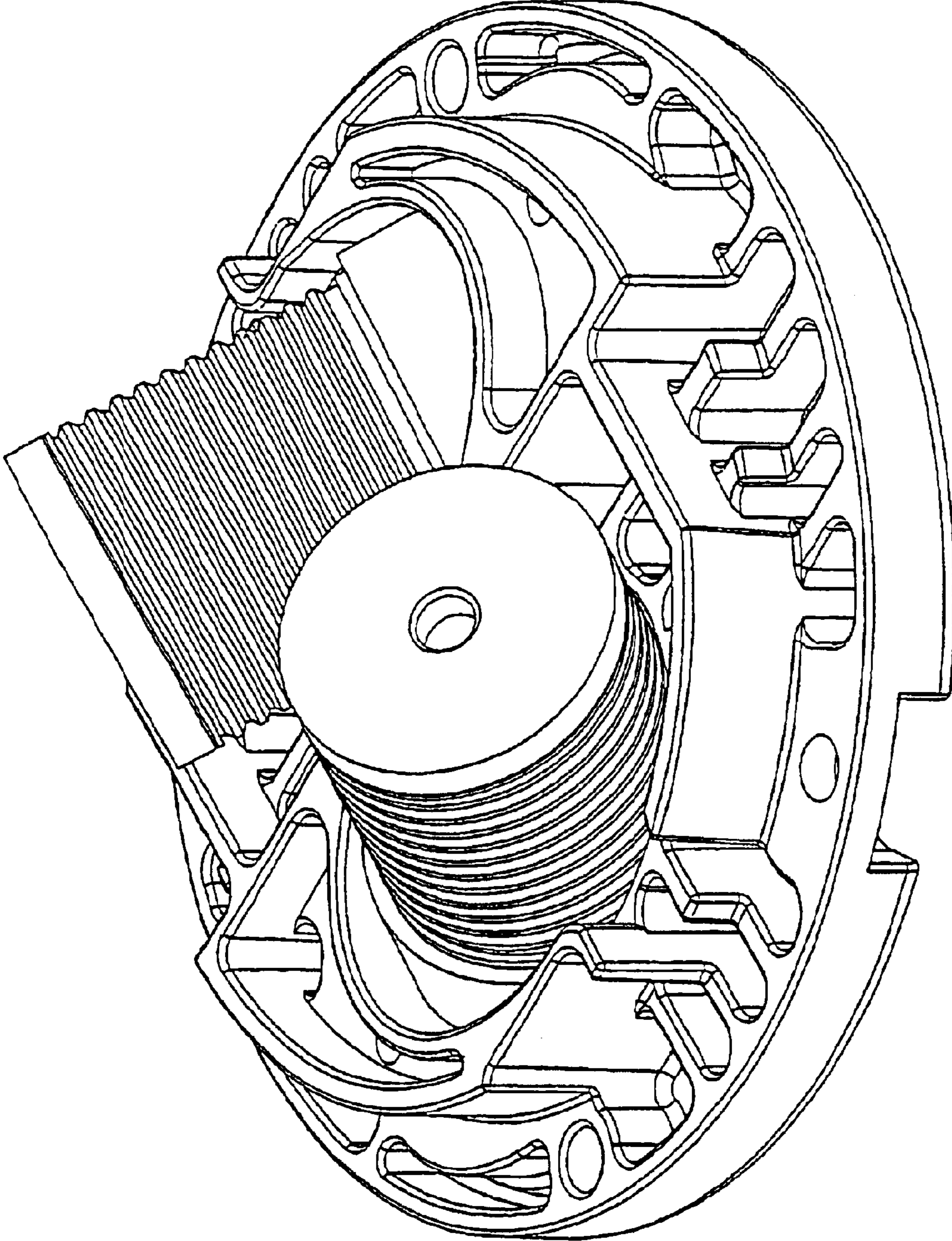


FIGURE 7



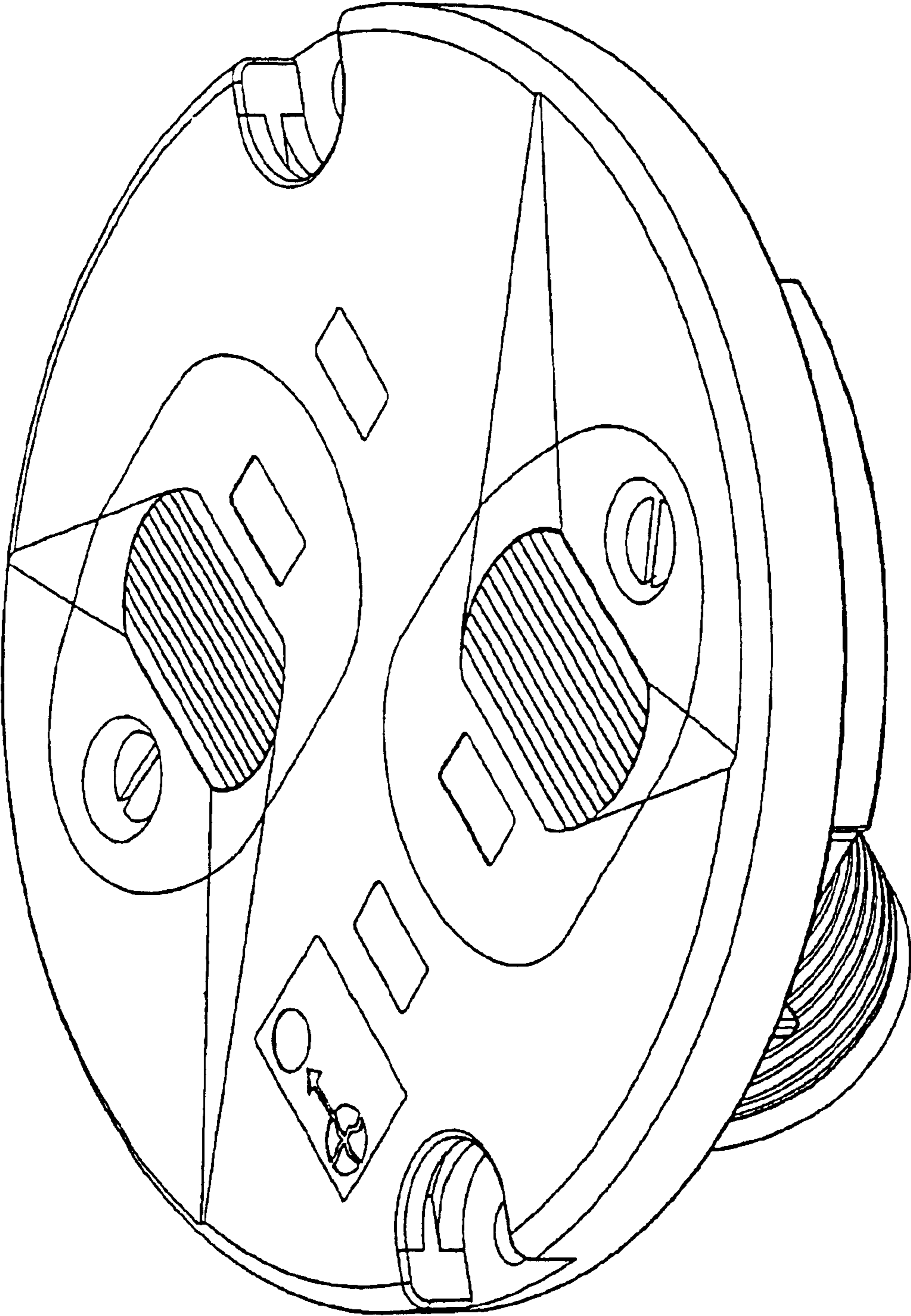


FIGURE 8