

US00D498320S

(12) **United States Design Patent**
Leung

(10) **Patent No.:** **US D498,320 S**

(45) **Date of Patent:** **** Nov. 9, 2004**

(54) **COMPUTER LAMP**

(76) **Inventor:** **Benson Chung-Pun Leung**, Unit 901,
53-57 Kwai Fung Crescent, Kwai
Chung, New Territories (HK)

(**) **Term:** **14 Years**

(21) **Appl. No.:** **29/198,772**

(22) **Filed:** **Feb. 4, 2004**

(51) **LOC (7) Cl.** **26-05**

(52) **U.S. Cl.** **D26/51**

(58) **Field of Search** D26/51, 60-66;
362/282, 283, 284, 285, 413, 418, 419,
427, 428

(56) **References Cited**

U.S. PATENT DOCUMENTS

D277,320 S	*	1/1985	Selden	D26/51
D287,604 S	*	1/1987	Creed	D26/51
D295,287 S	*	4/1988	Krogsrud et al.	D26/51
D367,541 S	*	2/1996	Kuo	D26/51

* cited by examiner

Primary Examiner—Marcus A. Jackson

(74) *Attorney, Agent, or Firm*—Wallenstein Wagner & Rockey, Ltd.

(57) **CLAIM**

I claim the ornamental design for a computer lamp, as shown and described.

DESCRIPTION

FIG. 1 is a perspective view showing a computer lamp according to the new design.

FIG. 2 is a front elevation view showing the computer lamp depicted in FIG. 1.

FIG. 3 is a rear elevation view showing the computer lamp depicted in FIG. 1.

FIG. 4 is a first side elevation view showing the computer lamp depicted in FIG. 1.

FIG. 5 is a second side elevation view showing the computer lamp depicted in FIG. 1.

FIG. 6 is a top plan view showing computer lamp depicted in FIG. 1; and,

FIG. 7 is a bottom plan view showing the computer lamp depicted in FIG. 1.

Features shown in broken lines in the drawings are not part of the claim.

1 Claim, 6 Drawing Sheets

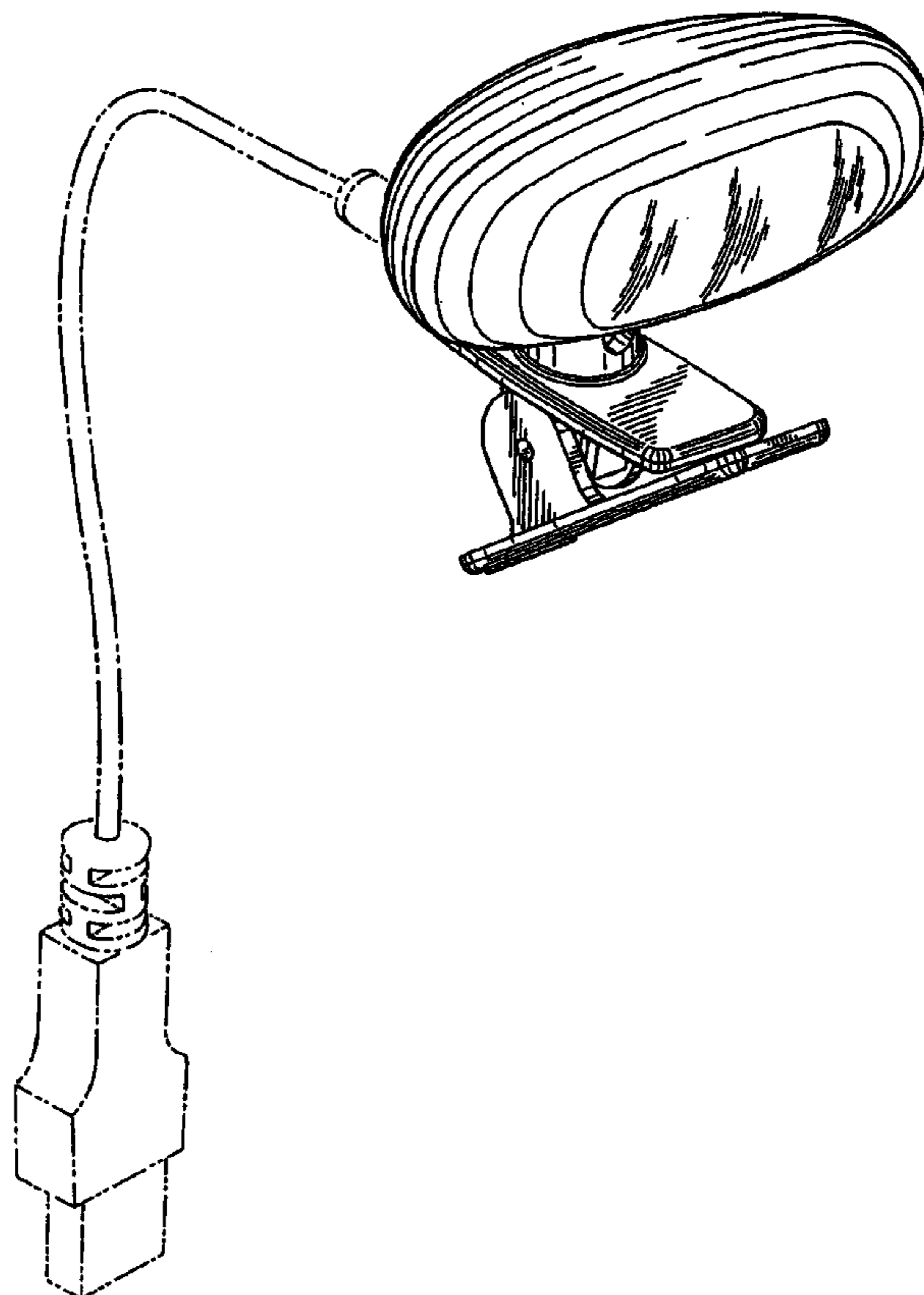
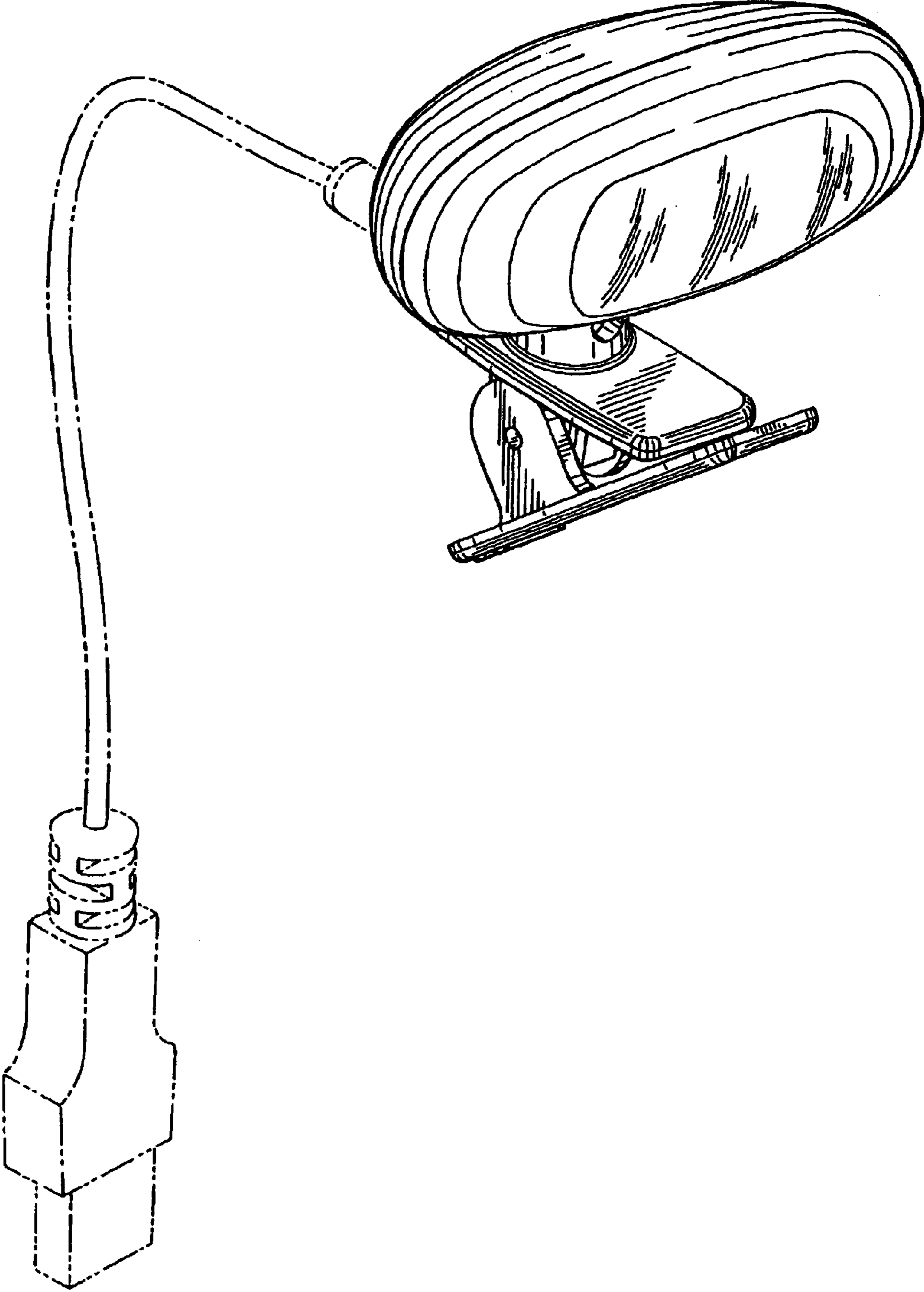


FIG. 1



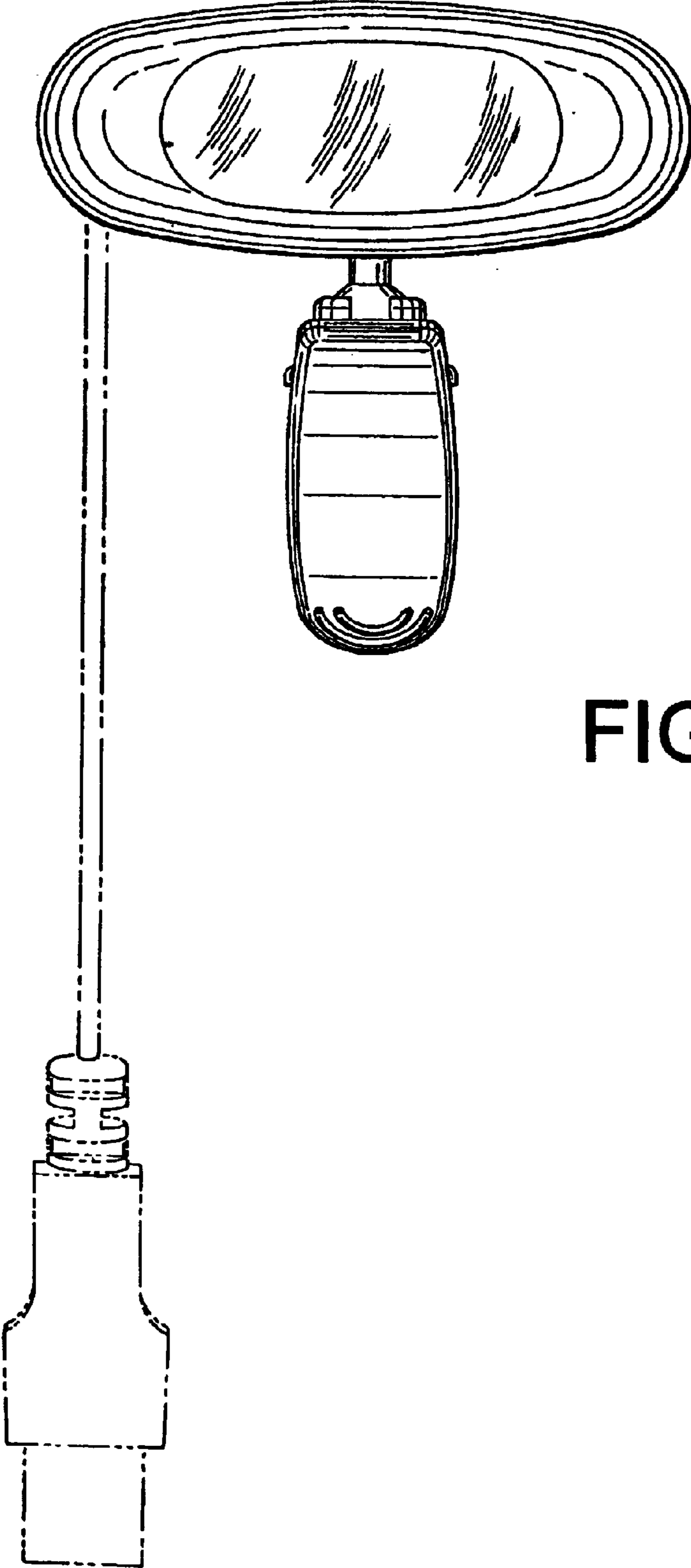


FIG. 2

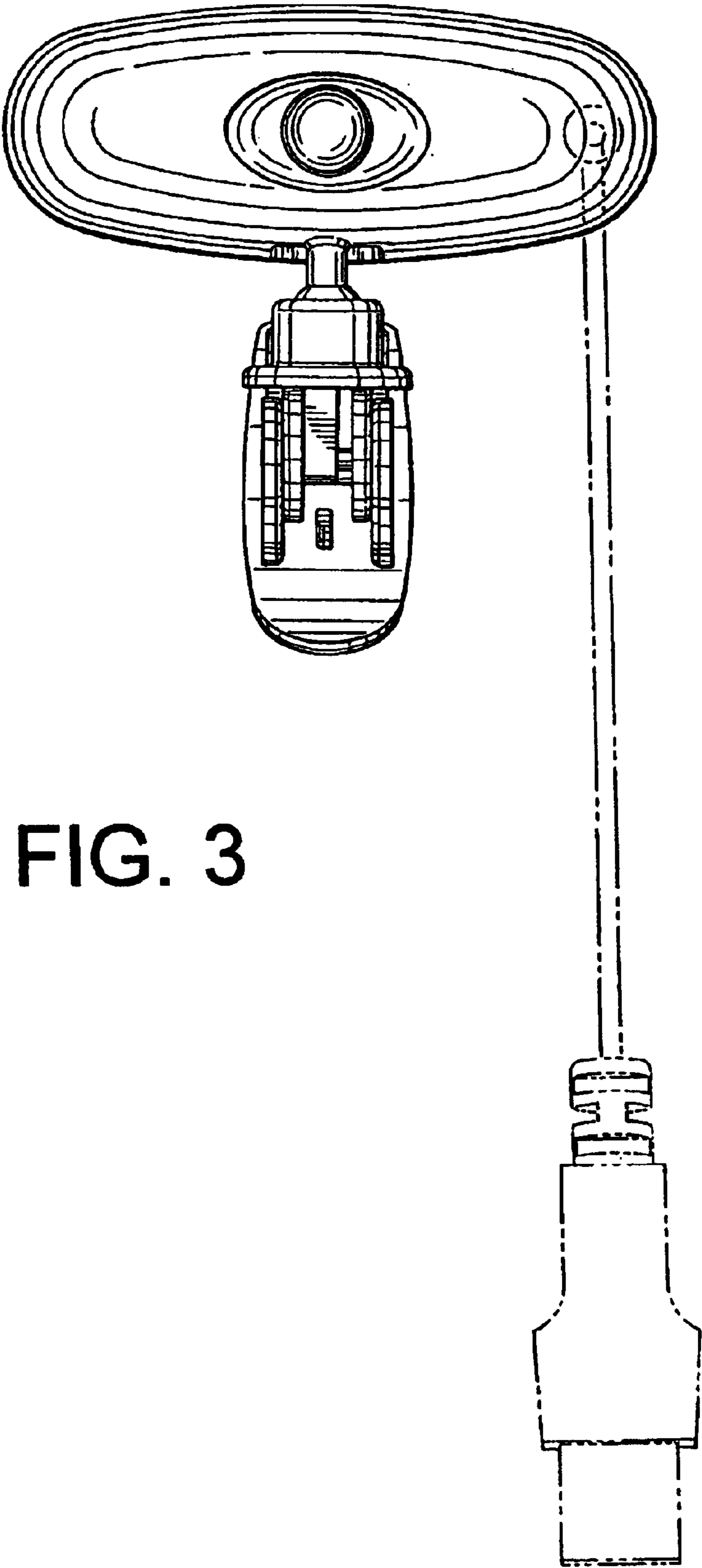


FIG. 3

FIG. 4

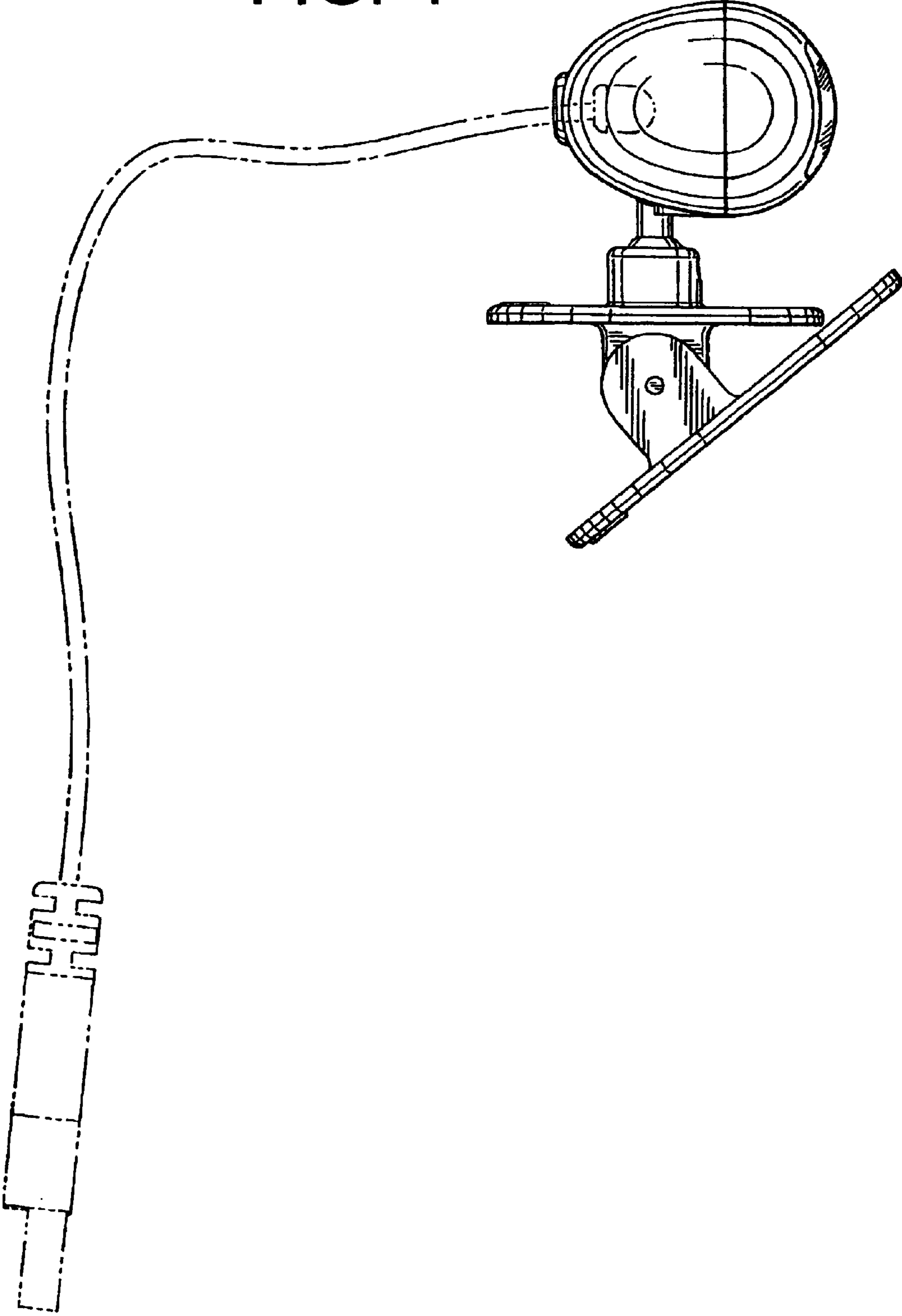
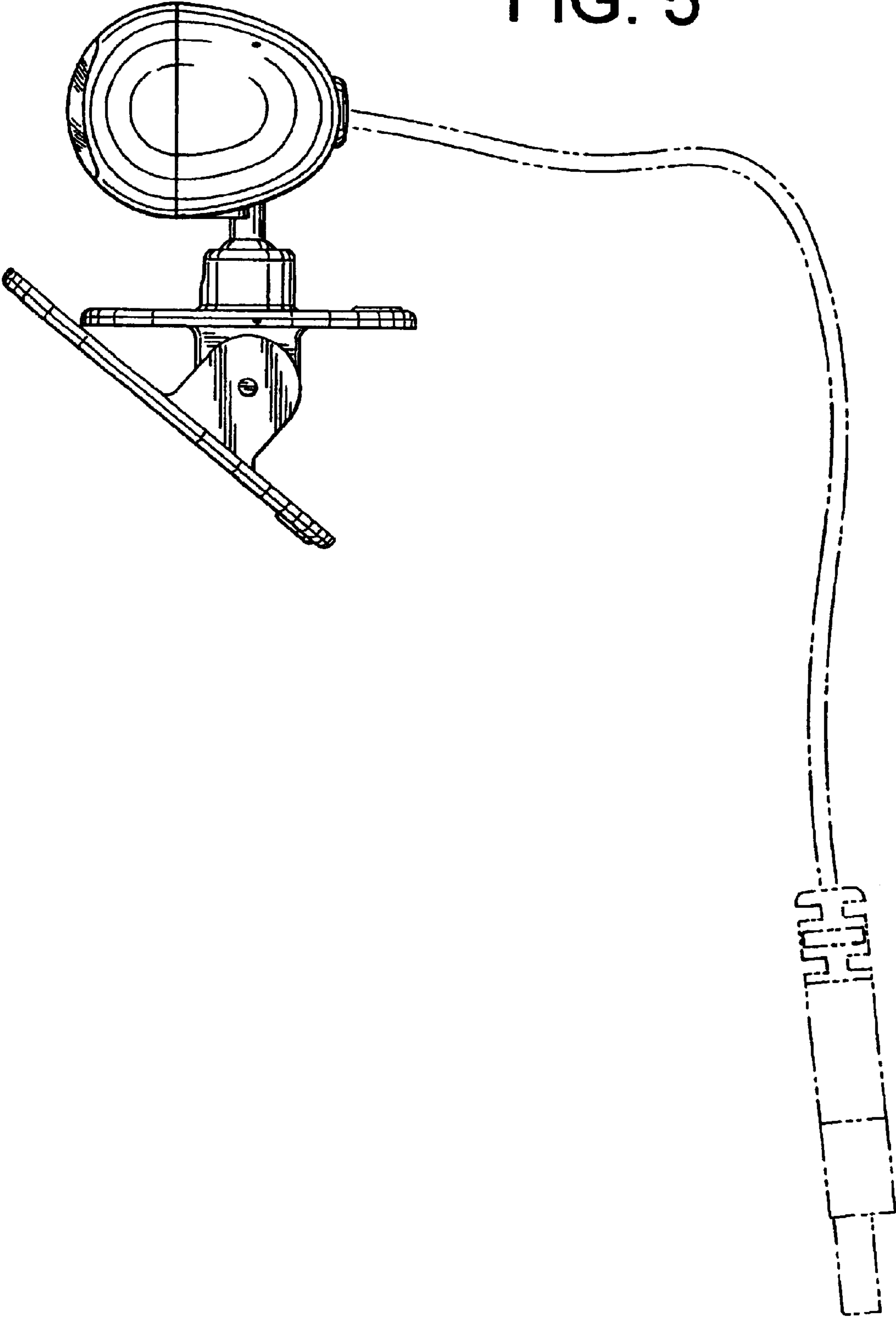


FIG. 5



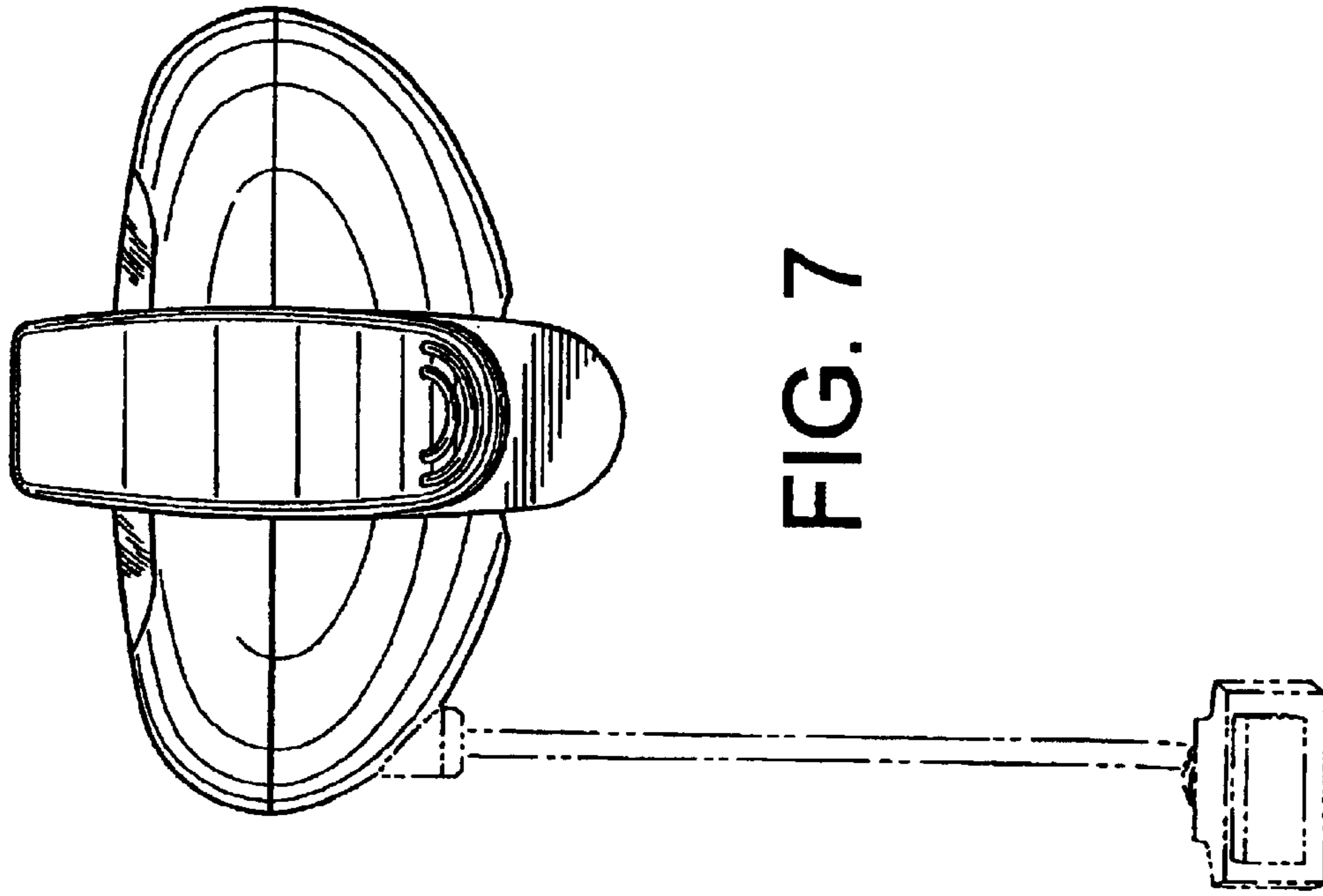


FIG. 7

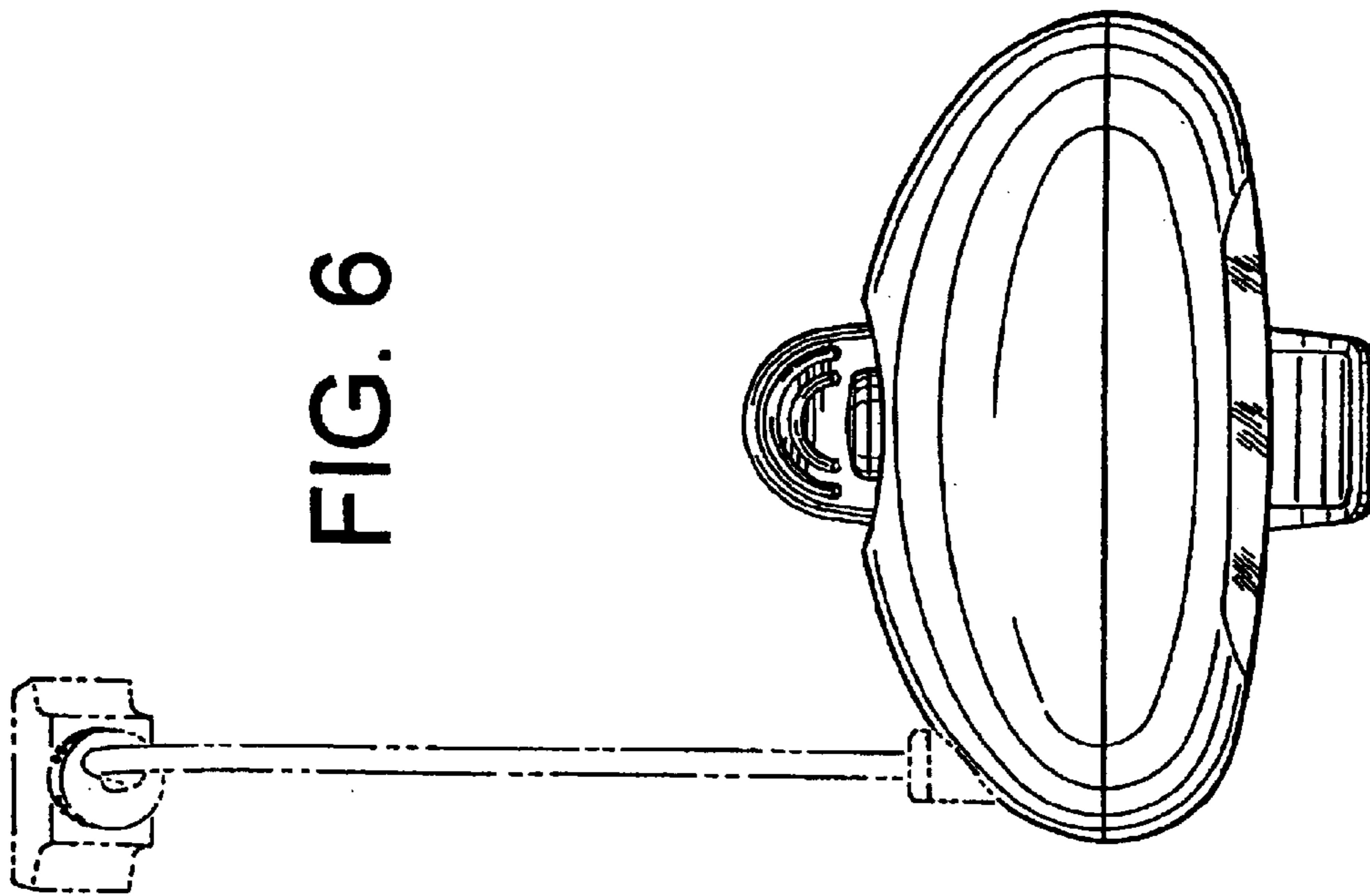


FIG. 6