

US00D498315S

(12) **United States Design Patent**
Campagna

(10) **Patent No.:** **US D498,315 S**

(45) **Date of Patent:** **** Nov. 9, 2004**

(54) **LIGHT FIXTURE FOR A VEHICLE**

D450,402 S * 11/2001 Xuan D26/28
D461,574 S * 8/2002 Helmke, III D26/28

(75) **Inventor:** **Cary J. Campagna**, Portage, MI (US)

* cited by examiner

(73) **Assignee:** **Command Electronics, Inc.**,
Schoolcraft, MI (US)

Primary Examiner—Marcus A. Jackson

(74) *Attorney, Agent, or Firm*—Flynn, Thiel, Boutell &
Tanis, P.C.

(**) **Term:** **14 Years**

(57) **CLAIM**

(21) **Appl. No.:** **29/202,803**

The ornamental design for a light fixture for a vehicle, as
shown and described.

(22) **Filed:** **Apr. 5, 2004**

(51) **LOC (7) Cl.** **26-06**

(52) **U.S. Cl.** **D26/28; D10/114**

(58) **Field of Search** **D26/28-36; D10/114;**
362/61, 80, 80.1, 83.3, 83.4, 267, 269,
275, 330-340

DESCRIPTION

FIG. 1 is a top, right, front isometric view of a light fixture
for a vehicle embodying my new design;

FIG. 2 is a front view thereof, the rear view being identical
thereto;

FIG. 3 is a left edge view thereof, the right edge view being
identical thereto;

FIG. 4 is a top view thereof; and,

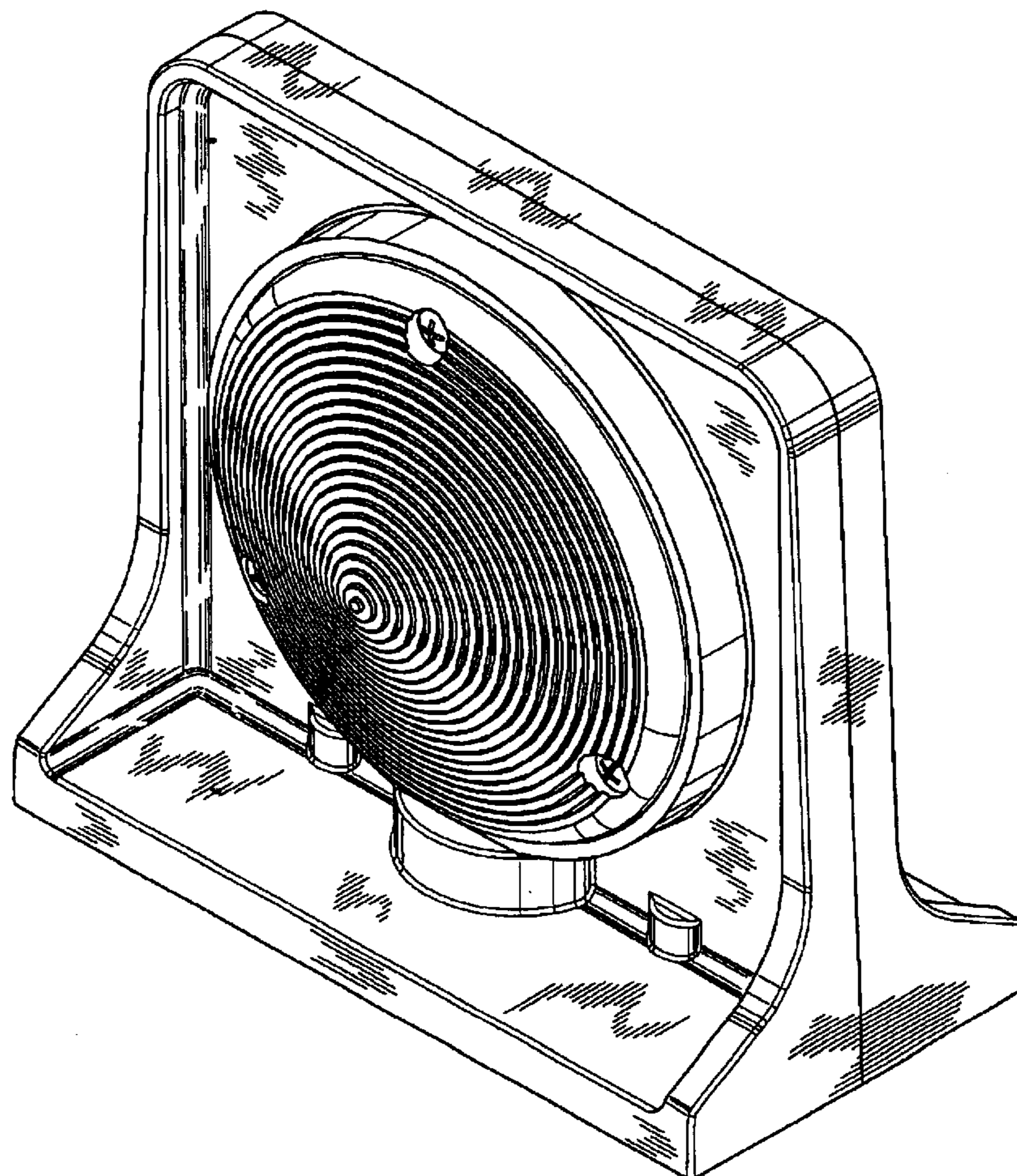
FIG. 5 is a bottom view thereof.

(56) **References Cited**

U.S. PATENT DOCUMENTS

4,858,082 A * 8/1989 Hayward D10/114
D407,168 S * 3/1999 Arakelian D26/28
D422,102 S * 3/2000 Moore D26/28

1 Claim, 4 Drawing Sheets



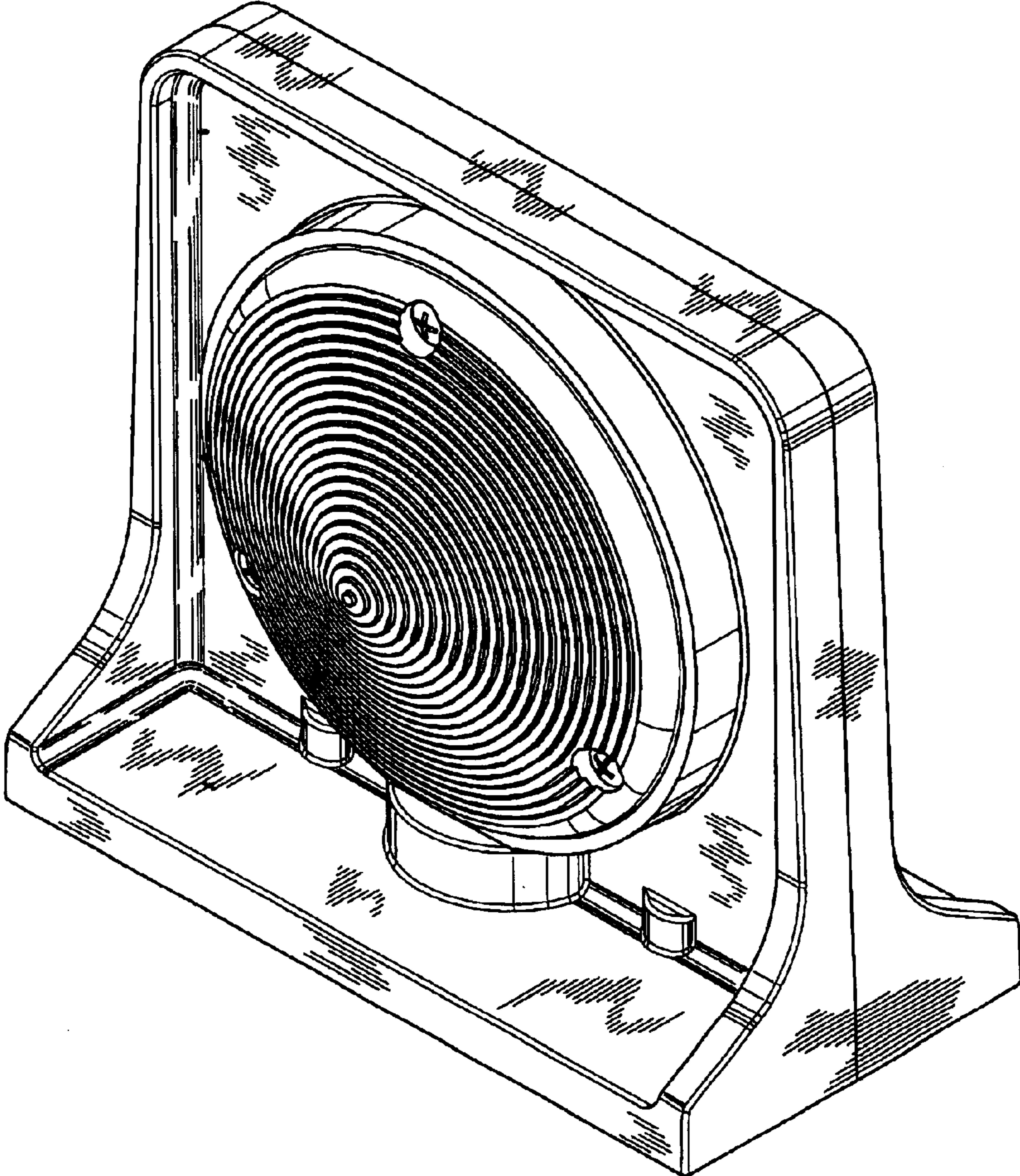


FIG. 1

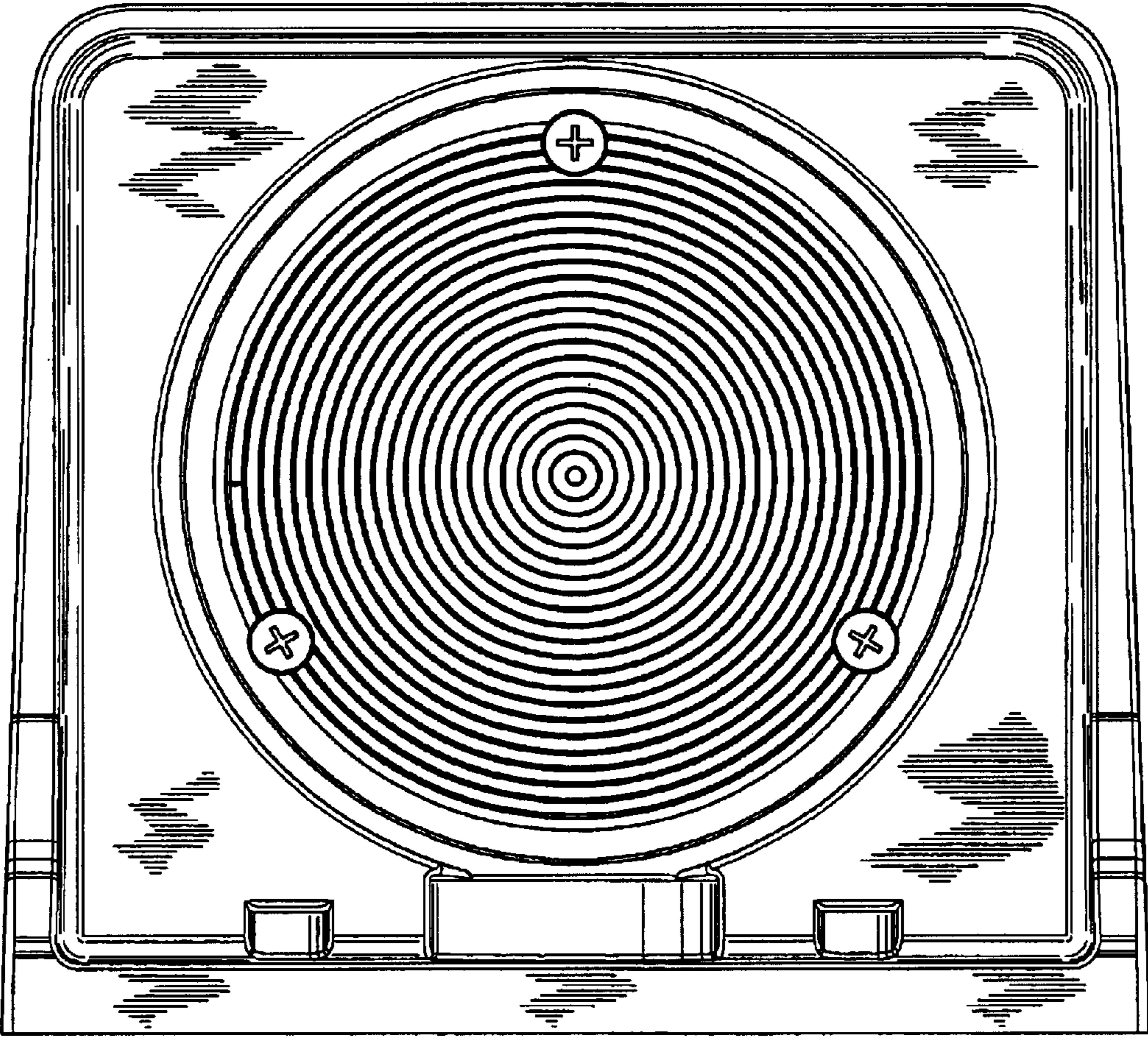


FIG. 2

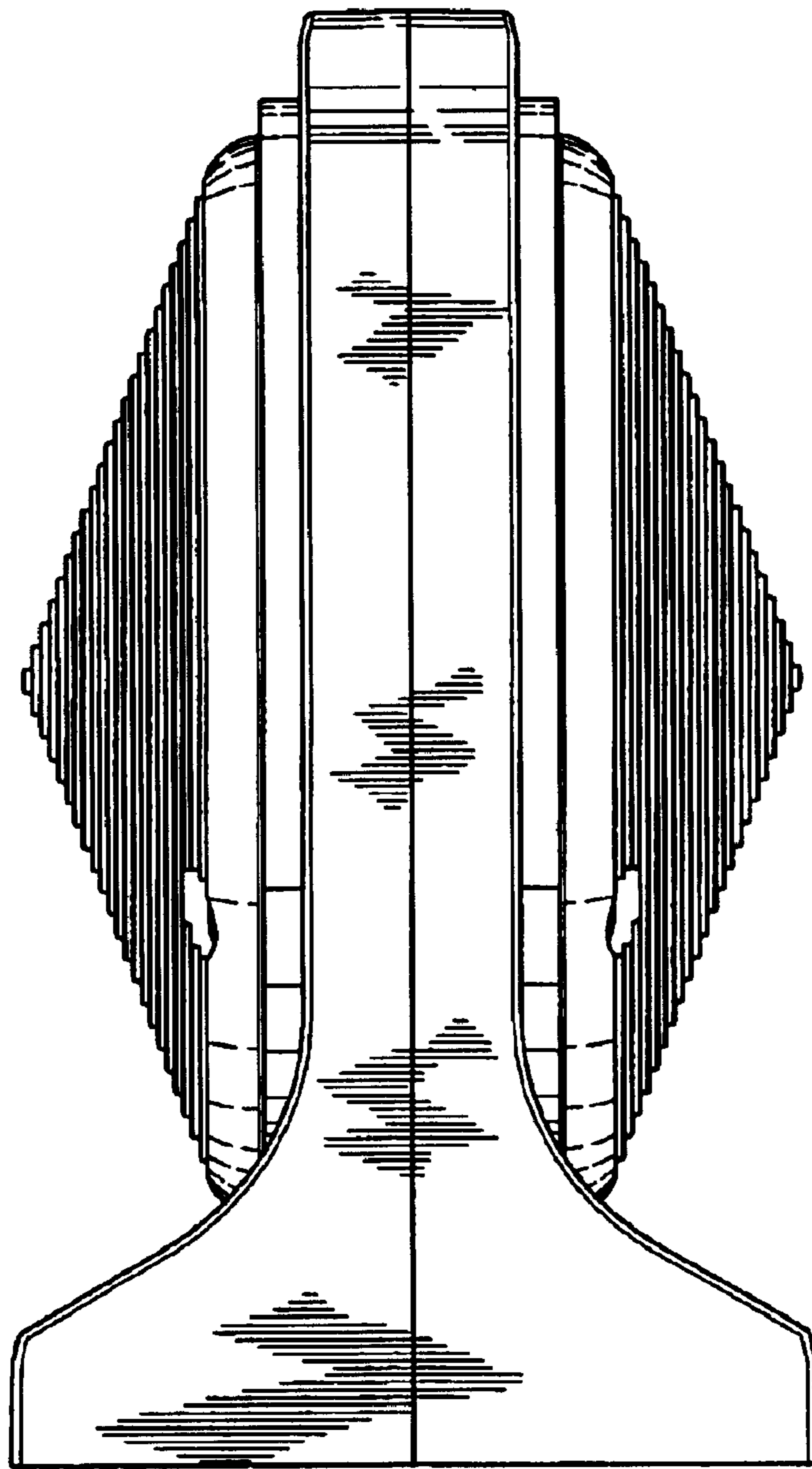


FIG. 3

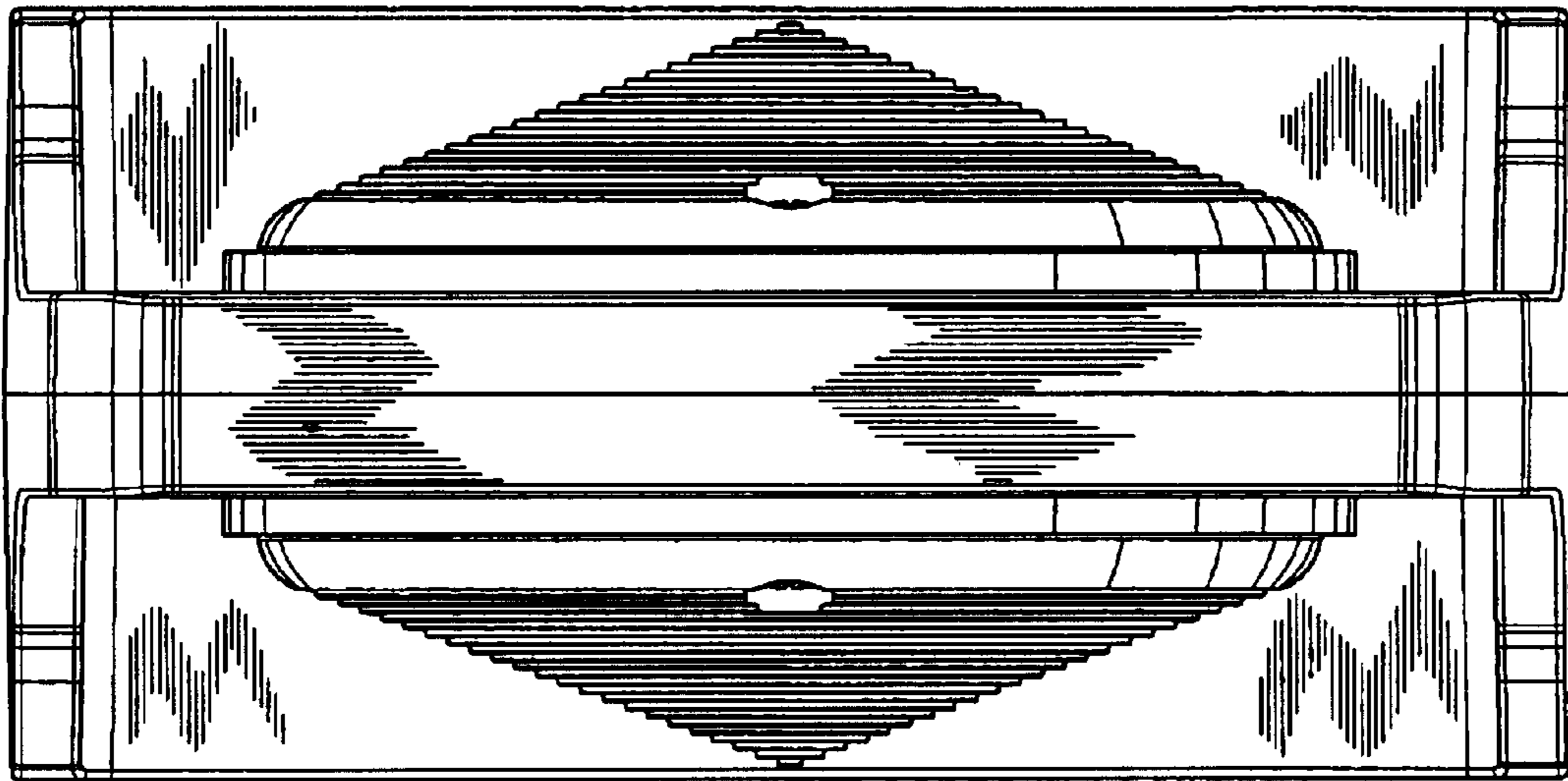


FIG. 4

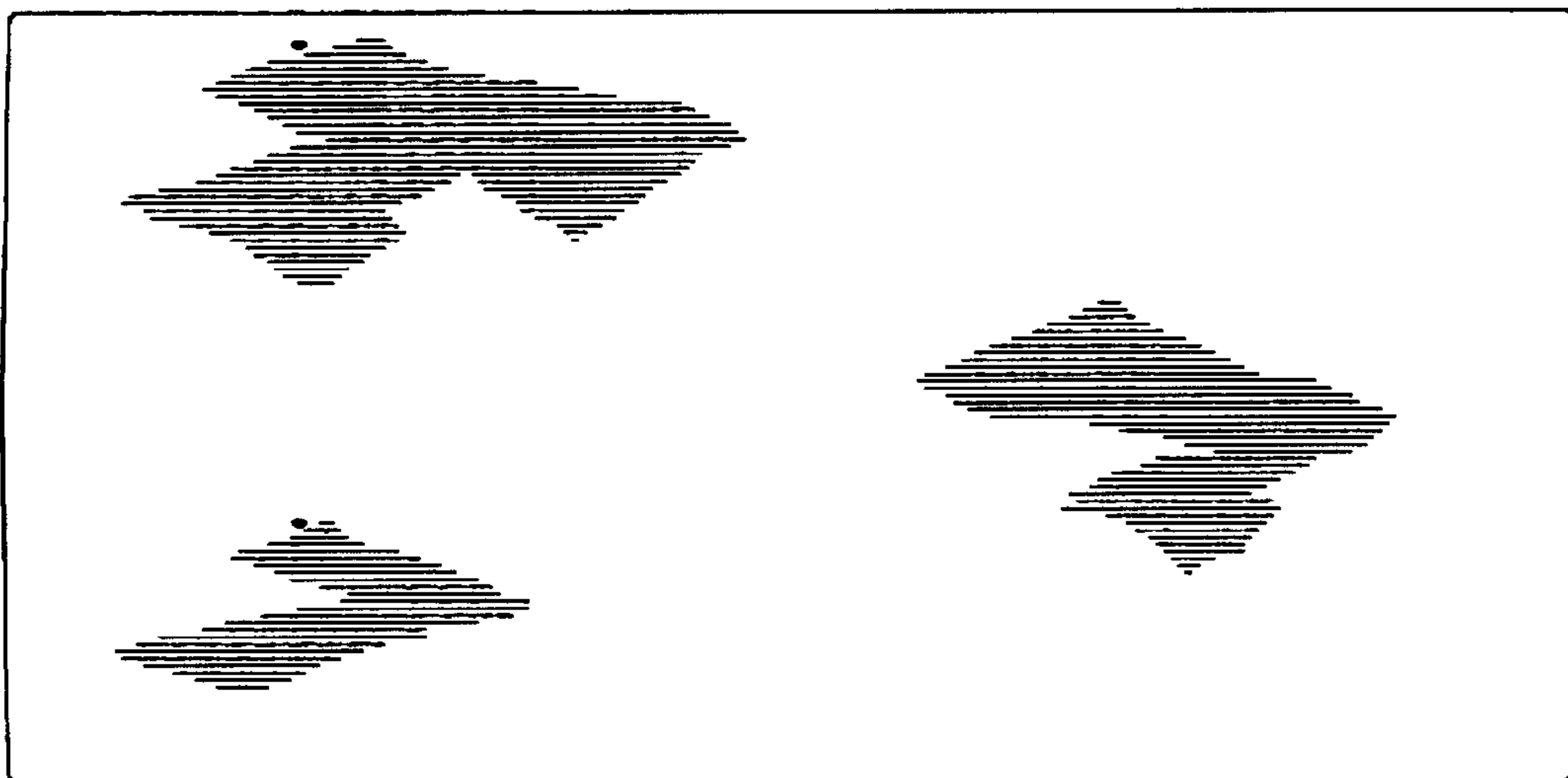


FIG. 5