

US00D498313S

(12) **United States Design Patent**
Kuo

(10) **Patent No.:** **US D498,313 S**
(45) **Date of Patent:** **** Nov. 9, 2004**

(54) **COLD CATHODE ENERGY SAVING LAMP**

D407,833 S * 4/1999 Foo D26/3

(75) **Inventor:** **Yim Kin Kuo, Kowloon (HK)**

* cited by examiner

(73) **Assignee:** **Super Trend Lighting Limited, Kowloon (HK)**

Primary Examiner—Marcus A. Jackson

(**) **Term:** **14 Years**

(57) **CLAIM**

The ornamental design for a cold cathode energy saving lamp, as shown and described.

(21) **Appl. No.:** **29/204,176**

(22) **Filed:** **Apr. 26, 2004**

DESCRIPTION

(51) **LOC (7) Cl.** **26-04**

FIG. 1 Front view.

(52) **U.S. Cl.** **D26/3**

FIG. 2 Top view.

(58) **Field of Search** D26/1-4; 313/313, 313/315, 317, 318, 493, 497, 567, 569; 315/52, 56, 57, 58, 73

FIG. 3 Rear view.

FIG. 4 Bottom view.

FIG. 5 Left view.

FIG. 6 Right view; and,

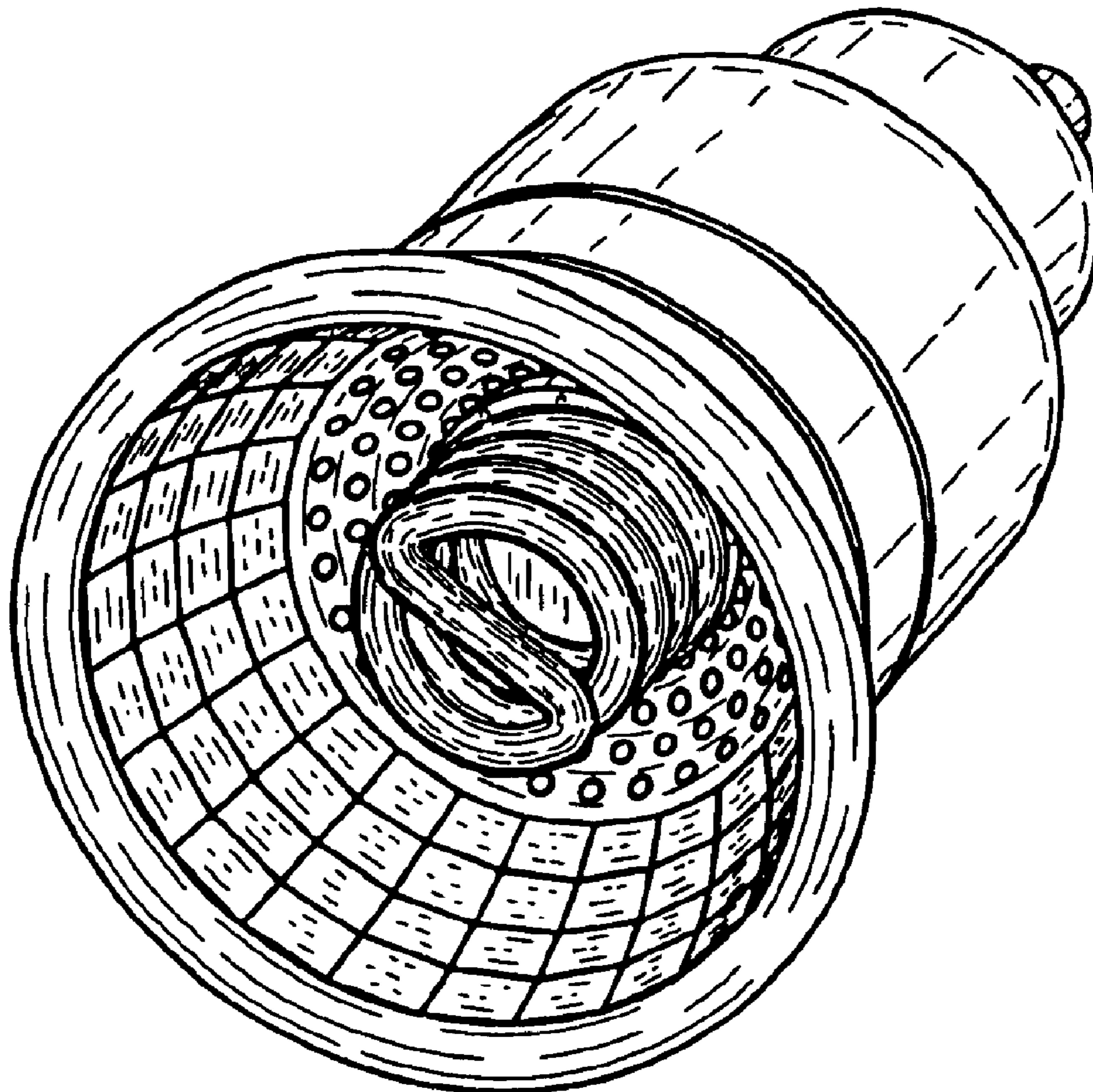
FIG. 7 Perspective view.

(56) **References Cited**

U.S. PATENT DOCUMENTS

D353,900 S * 12/1994 Sangen et al. D26/3

1 Claim, 4 Drawing Sheets



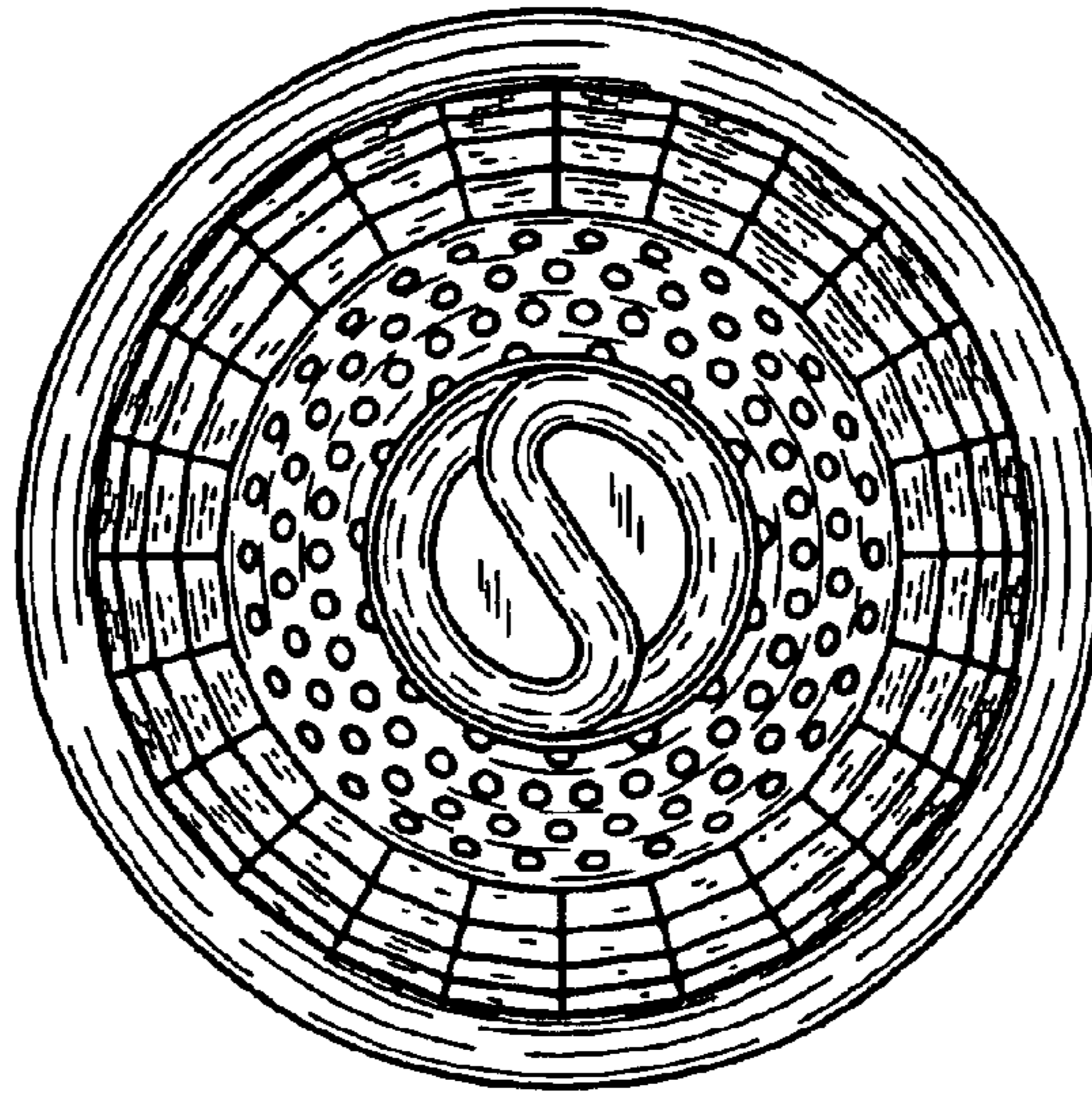


Fig.1

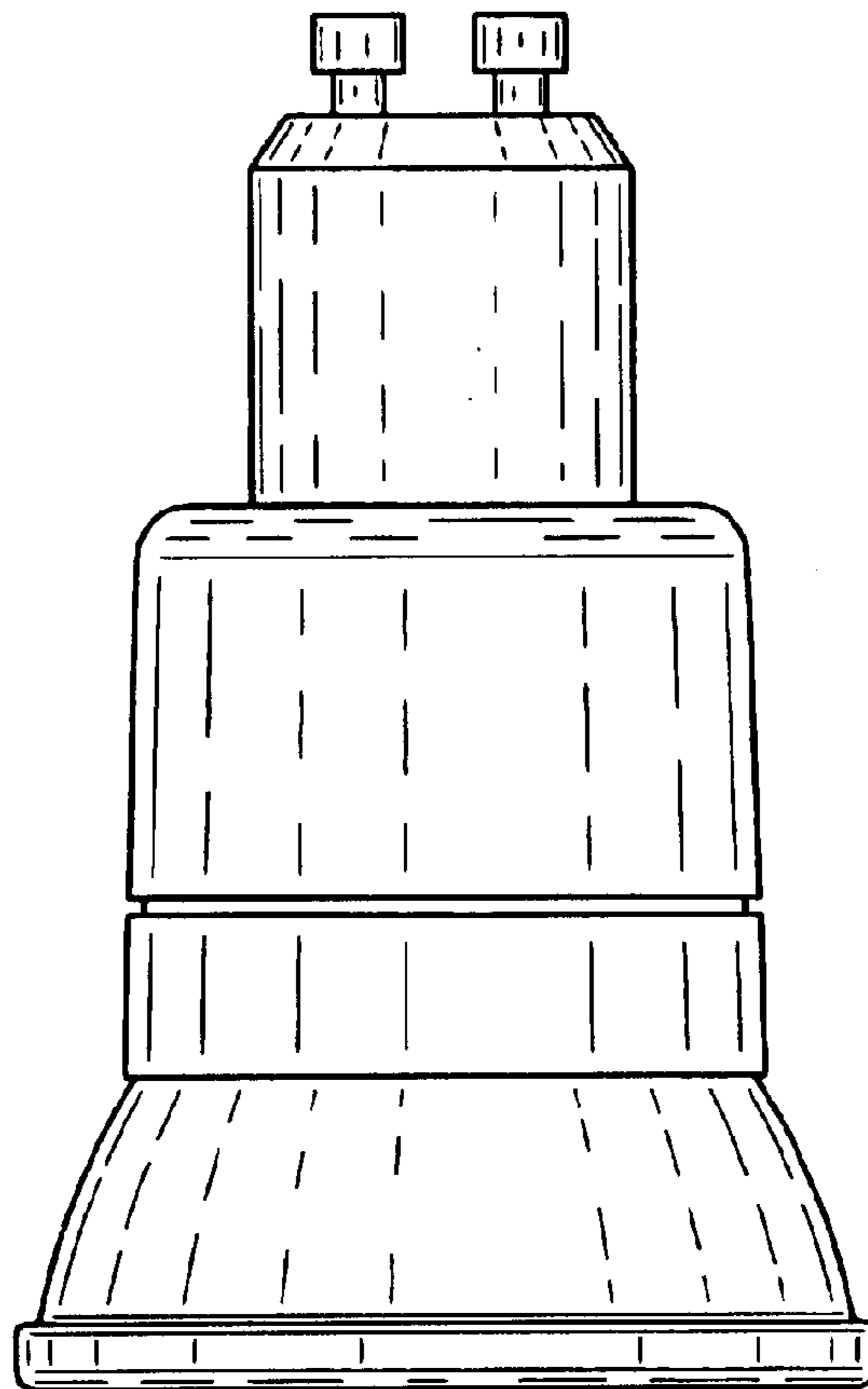


Fig.2

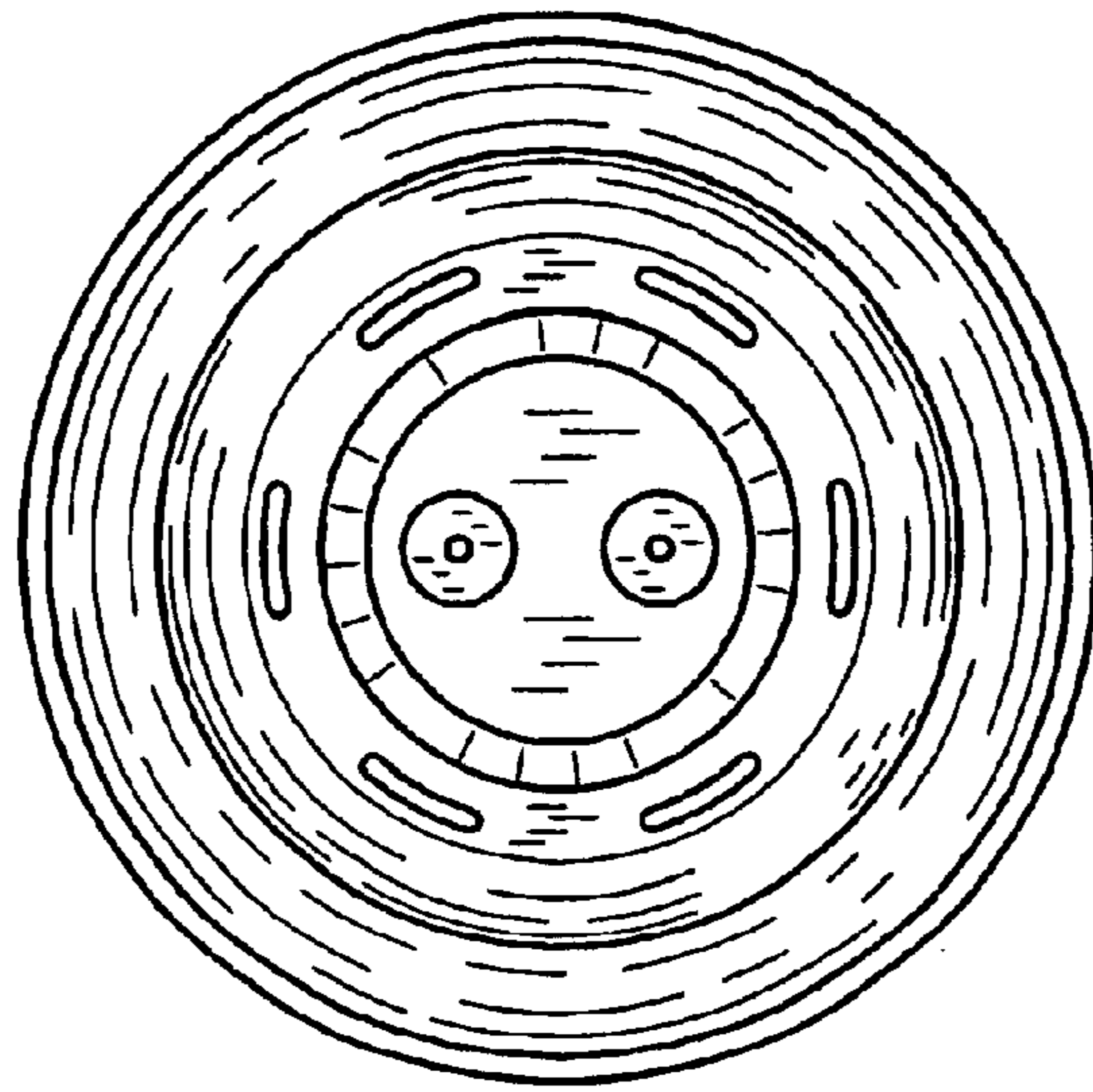


Fig.3

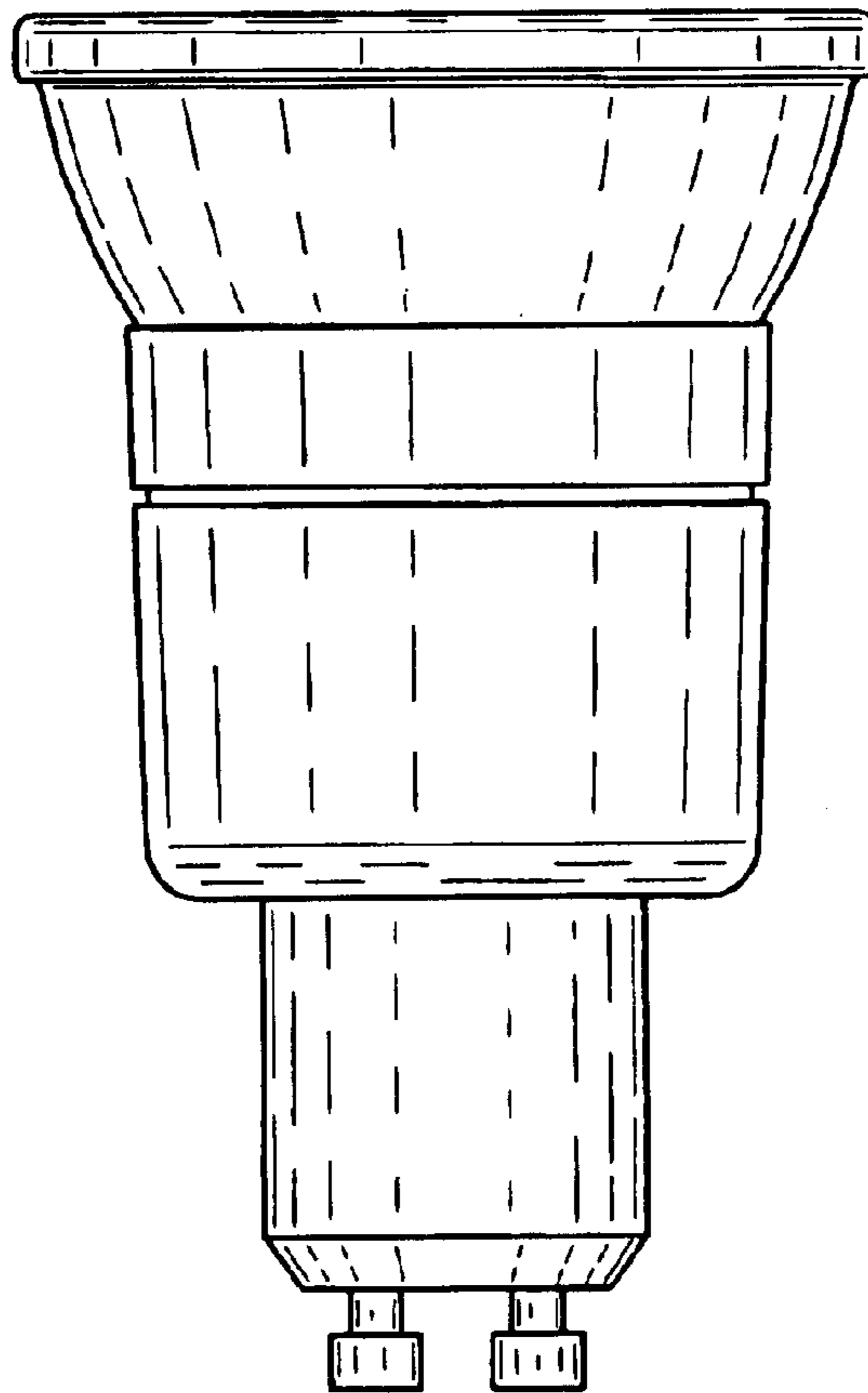


Fig.4

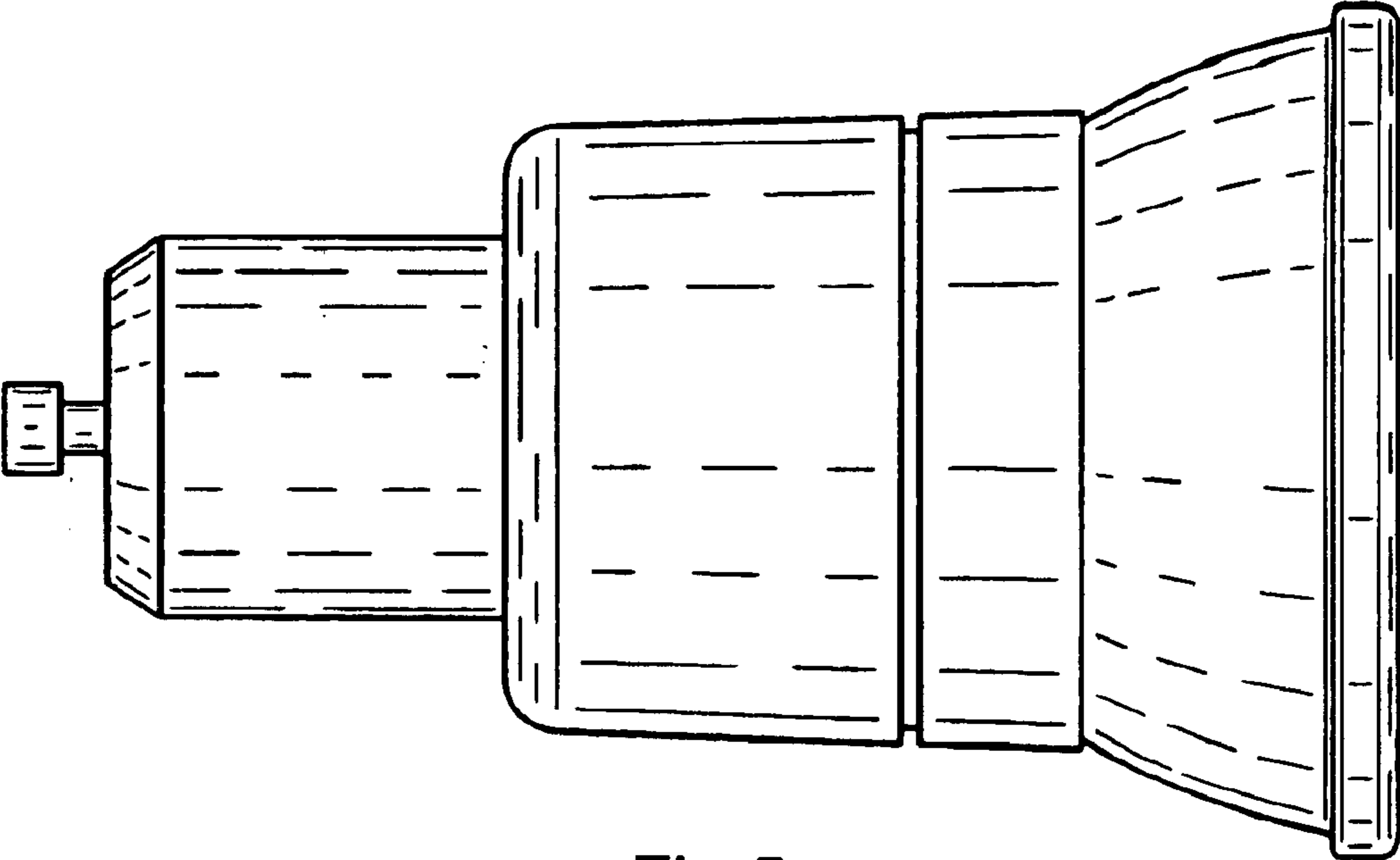


Fig.5

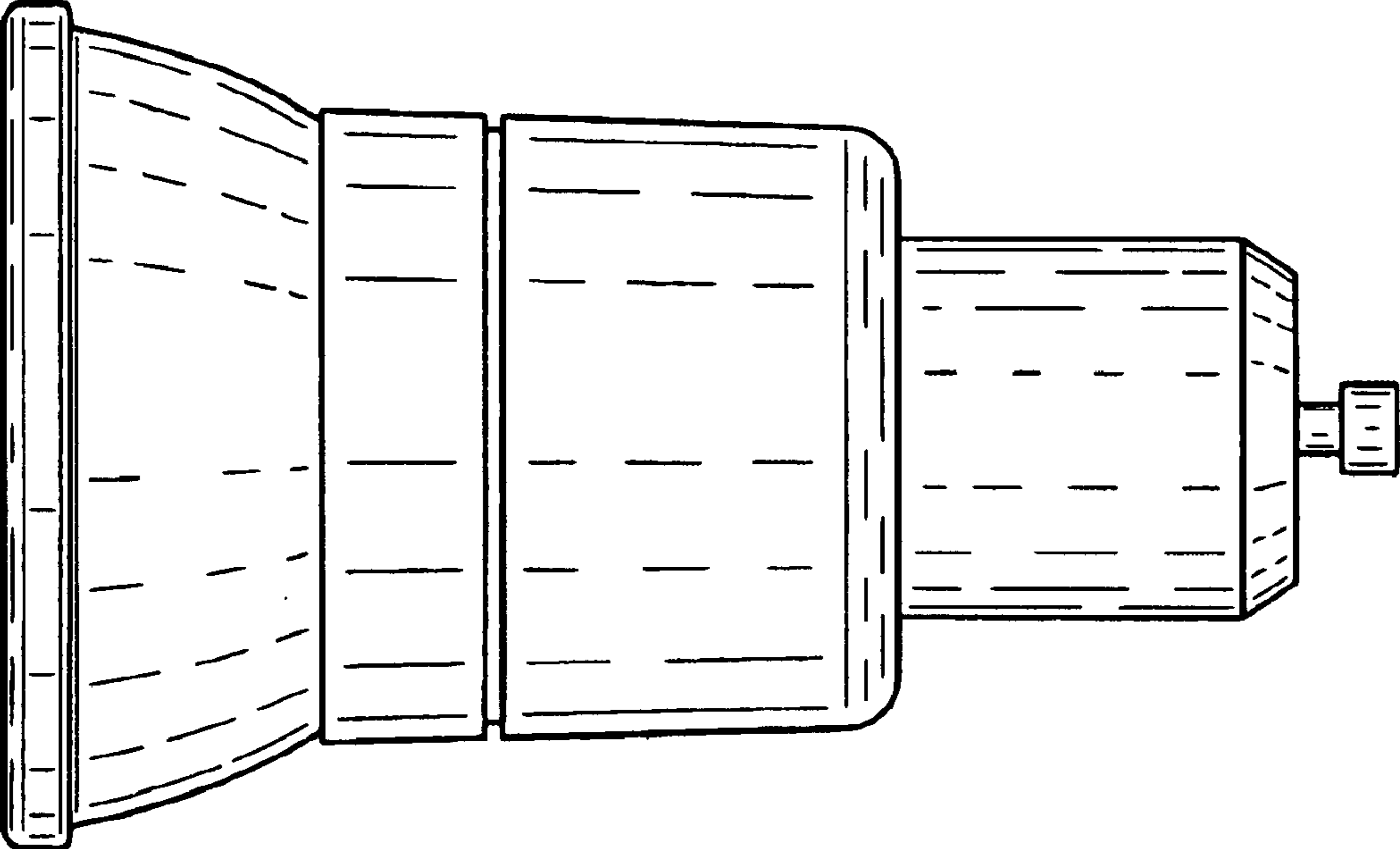


Fig.6

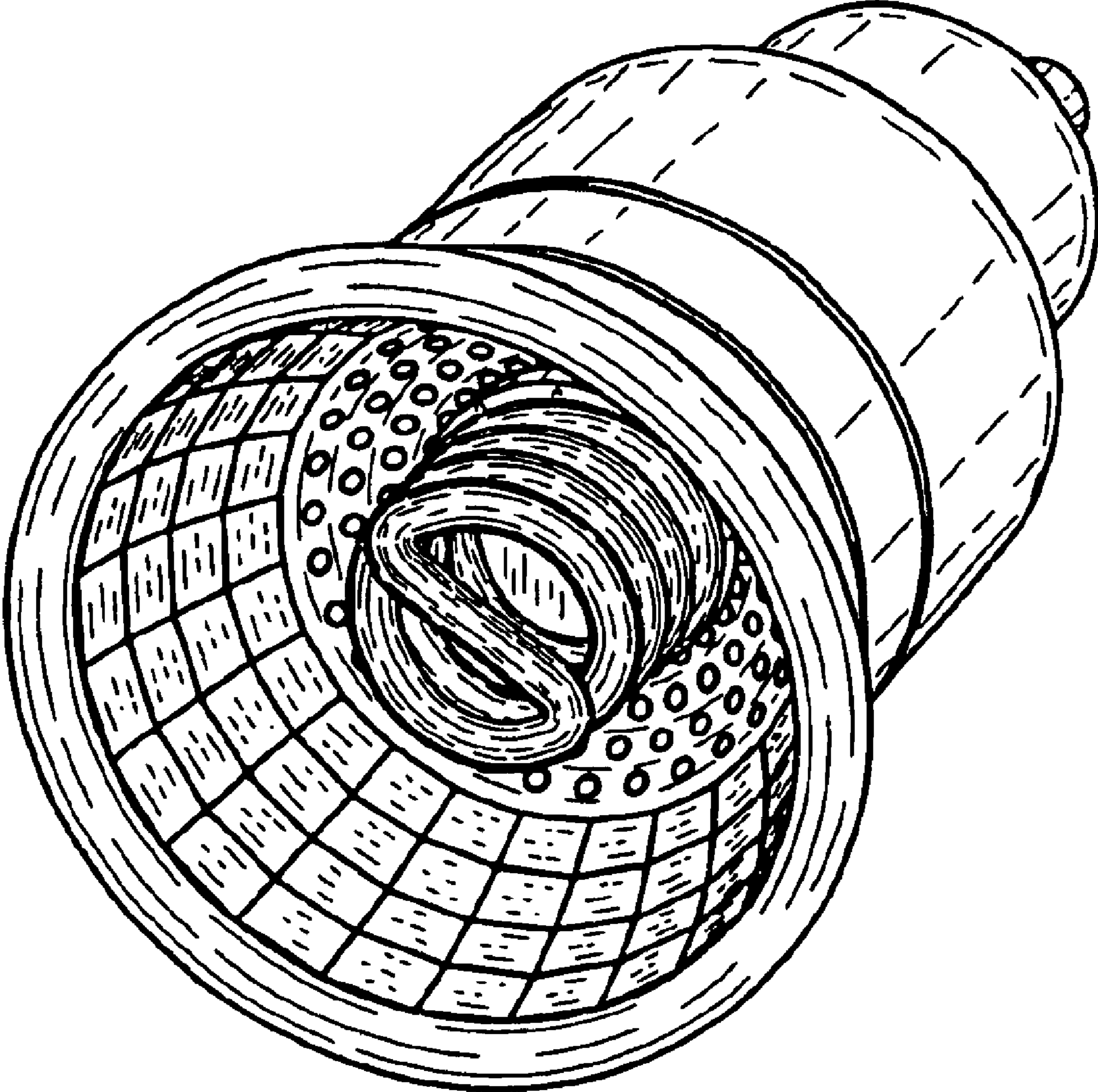


Fig.7