

US00D498309S

(12) **United States Design Patent**
Koerner et al.

(10) **Patent No.:** **US D498,309 S**

(45) **Date of Patent:** **** Nov. 9, 2004**

(54) **SEALING PROFILE**

5,465,532 A * 11/1995 Varin 49/493.1
6,624,252 B2 * 9/2003 Yabe et al. D25/199

(75) Inventors: **Helmut Koerner**, Rehau (DE); **Stefan Lang**, Rehau (DE)

* cited by examiner

(73) Assignee: **Rehau AG & Co.**, Rehau (DE)

Primary Examiner—Doris Clark

(**) Term: **14 Years**

(74) *Attorney, Agent, or Firm*—Venable LLP; Robert Kinberg

(21) Appl. No.: **29/194,001**

(57) **CLAIM**

(22) Filed: **Nov. 19, 2003**

The ornamental design for sealing profile, as shown and described.

(30) **Foreign Application Priority Data**

May 20, 2003 (DE) 4 03 03 679

DESCRIPTION

(51) **LOC (7) Cl.** **25-01**

FIG. 1 is a perspective view from the front-top-right side of the sealing profile showing our new design;

(52) **U.S. Cl.** **D25/164**

FIG. 2 is a front view of the design shown in FIG. 1;

(58) **Field of Search** D25/164, 199,

FIG. 3 is a rear view of the design shown in FIG. 1;

D25/119; 49/383, 475.1, 484.1

FIG. 4 is a left side view of the design shown in FIG. 1;

FIG. 5 is a right side view of the design shown in FIG. 1;

FIG. 6 is a top view of the design shown in FIG. 1; and,

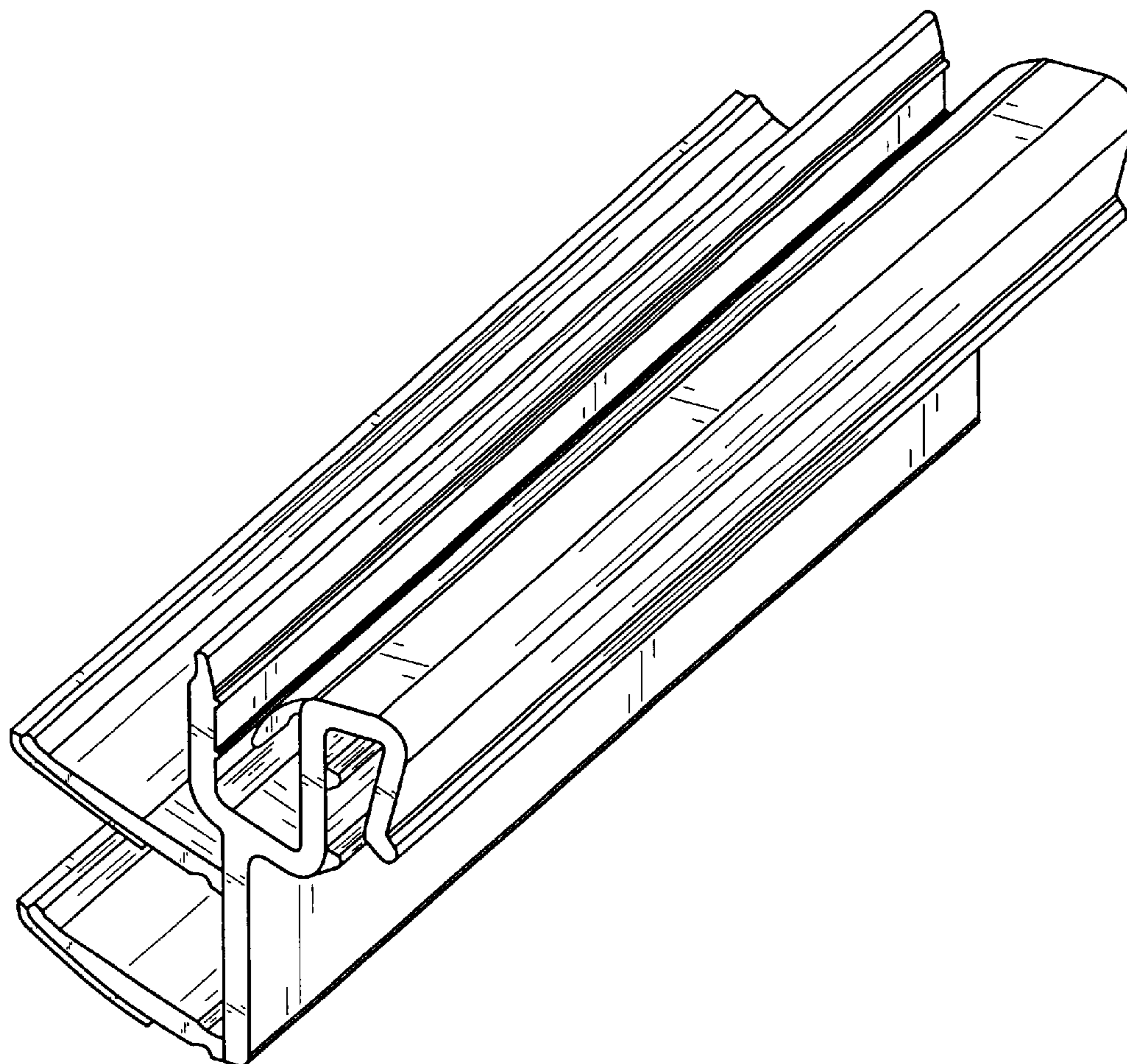
FIG. 7 is a bottom view of the design shown in FIG. 1.

(56) **References Cited**

U.S. PATENT DOCUMENTS

D293,935 S * 1/1988 Allen, Jr. D25/164

1 Claim, 7 Drawing Sheets



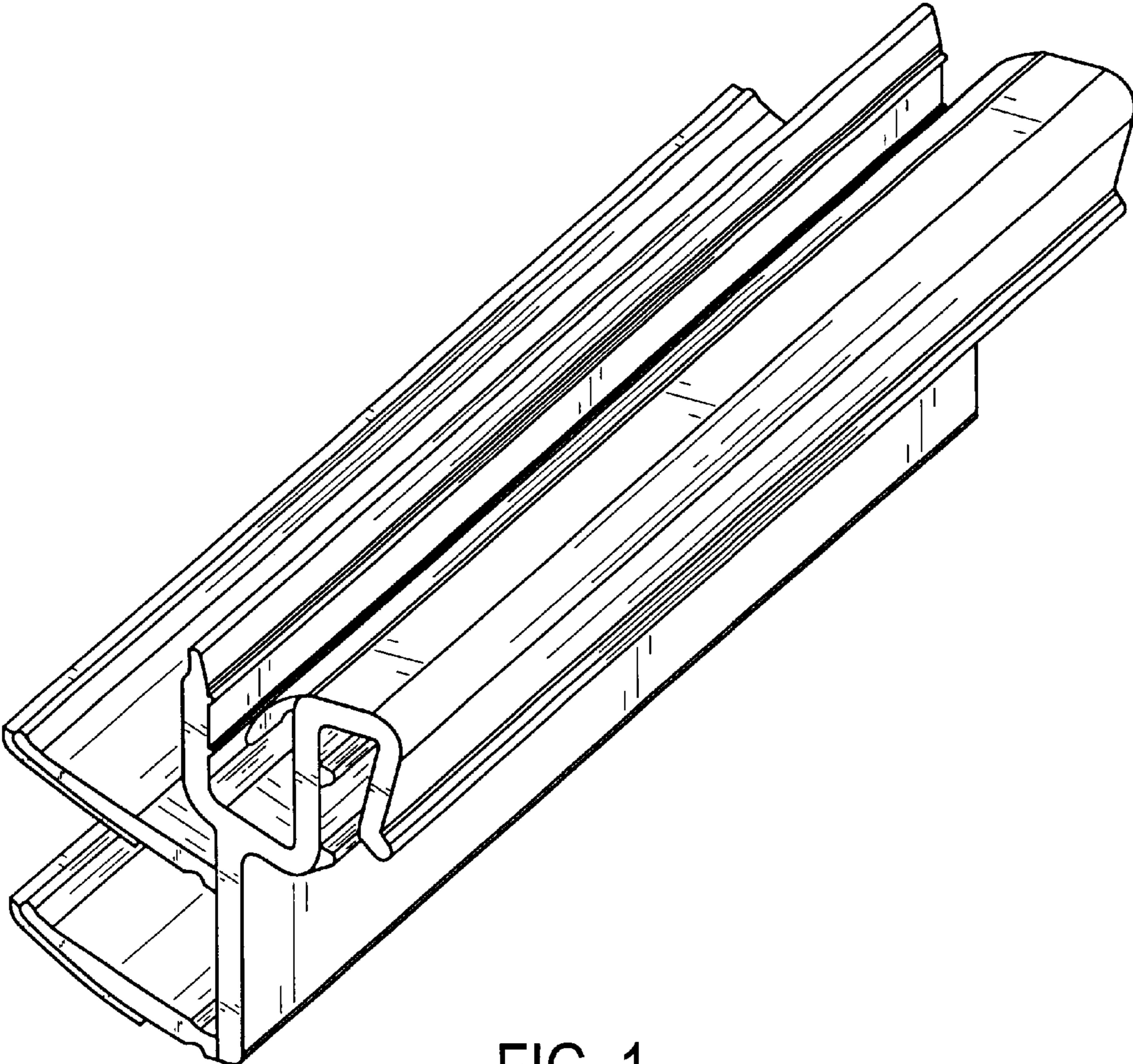


FIG. 1

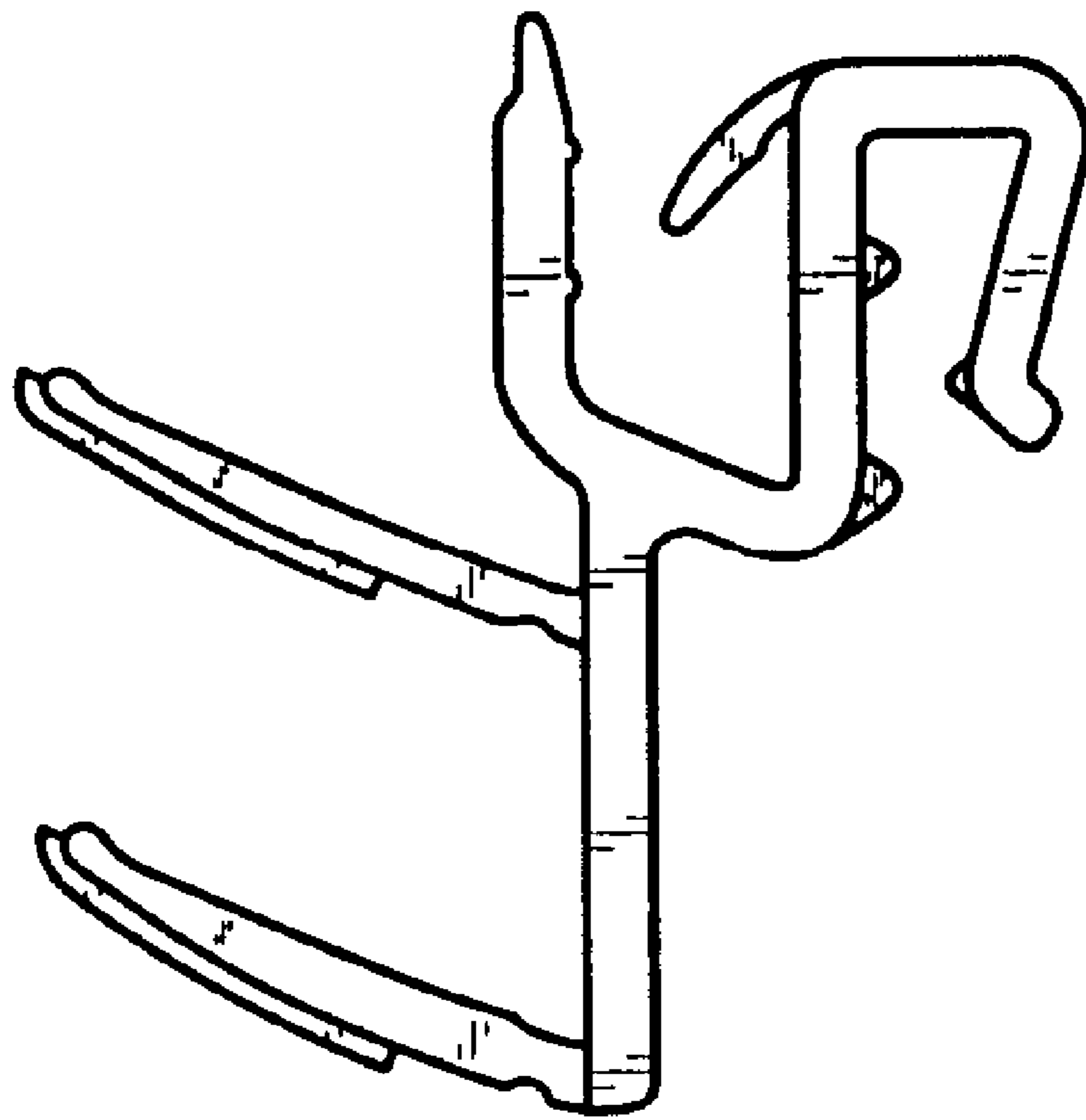


FIG. 2

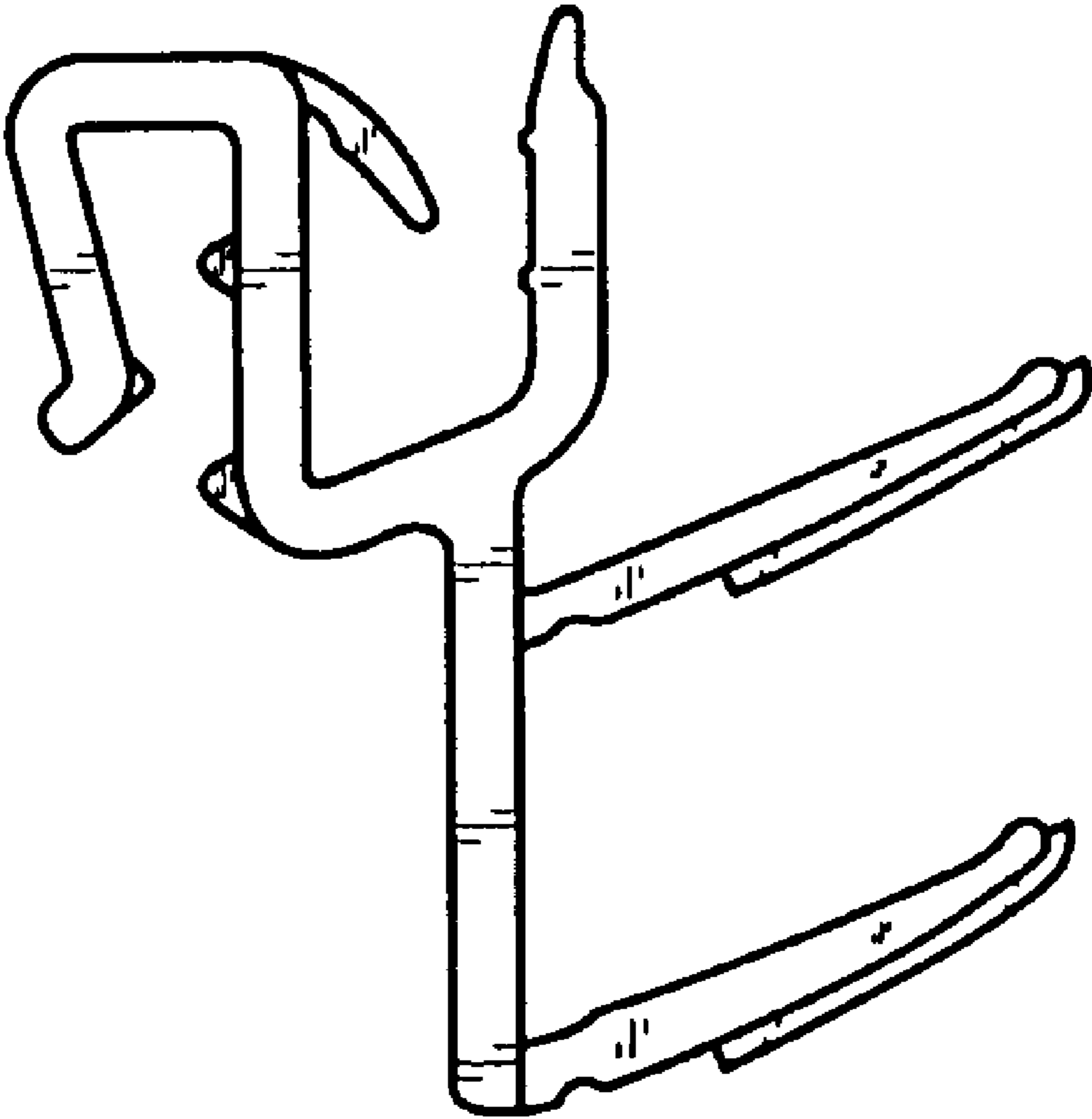


FIG. 3

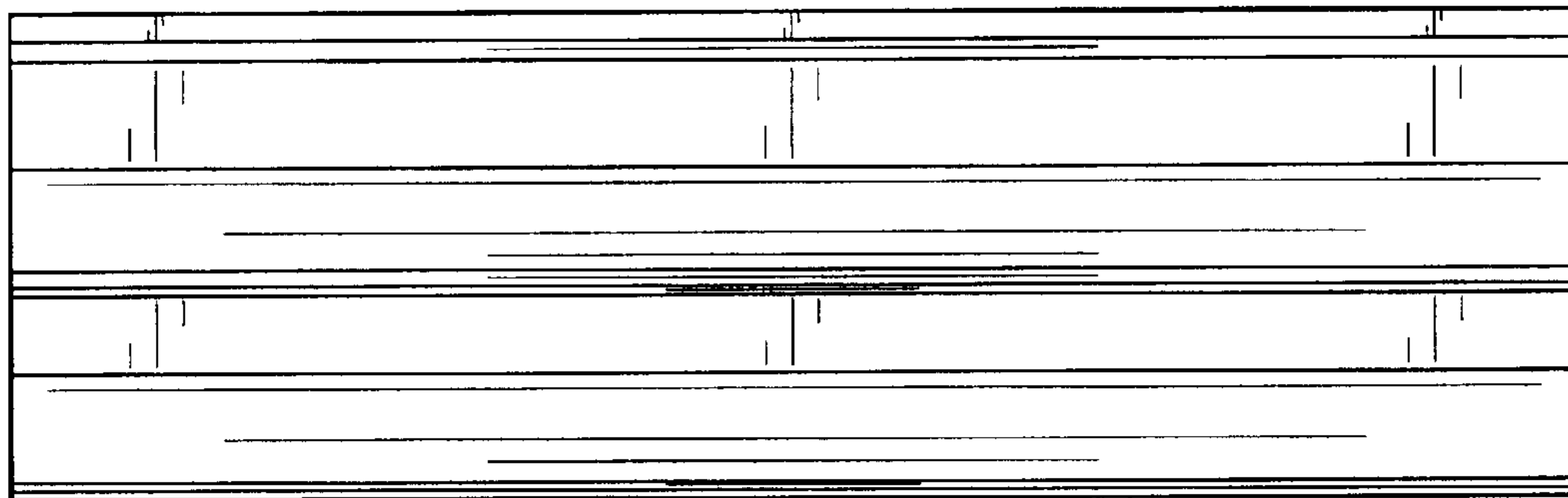


FIG. 4

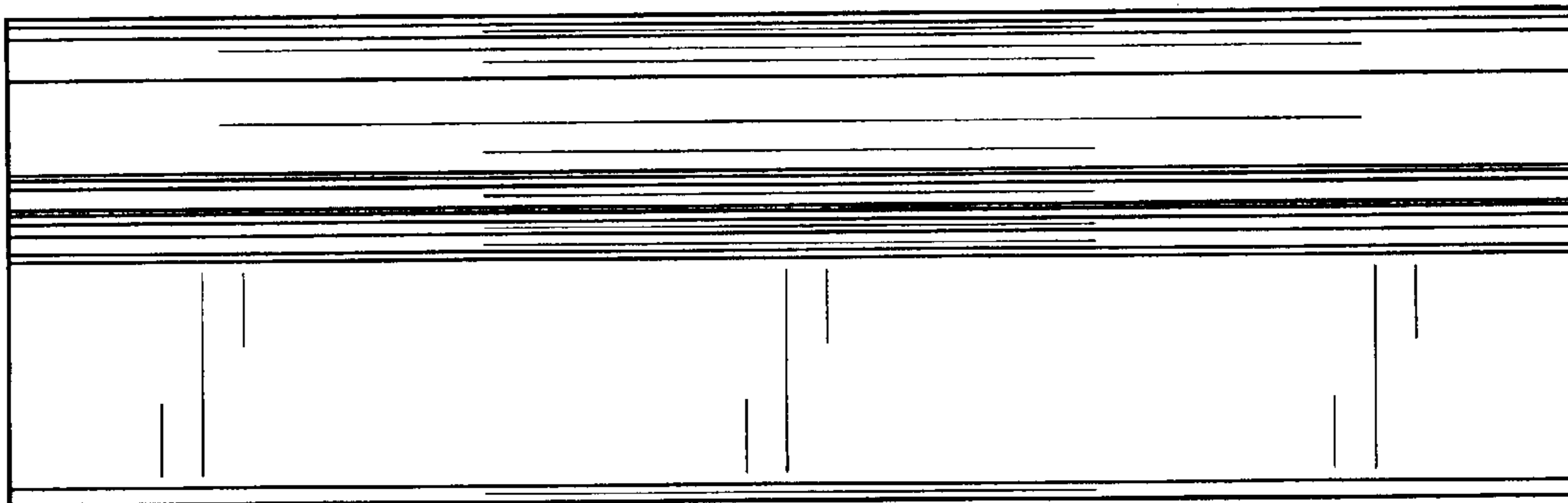


FIG. 5

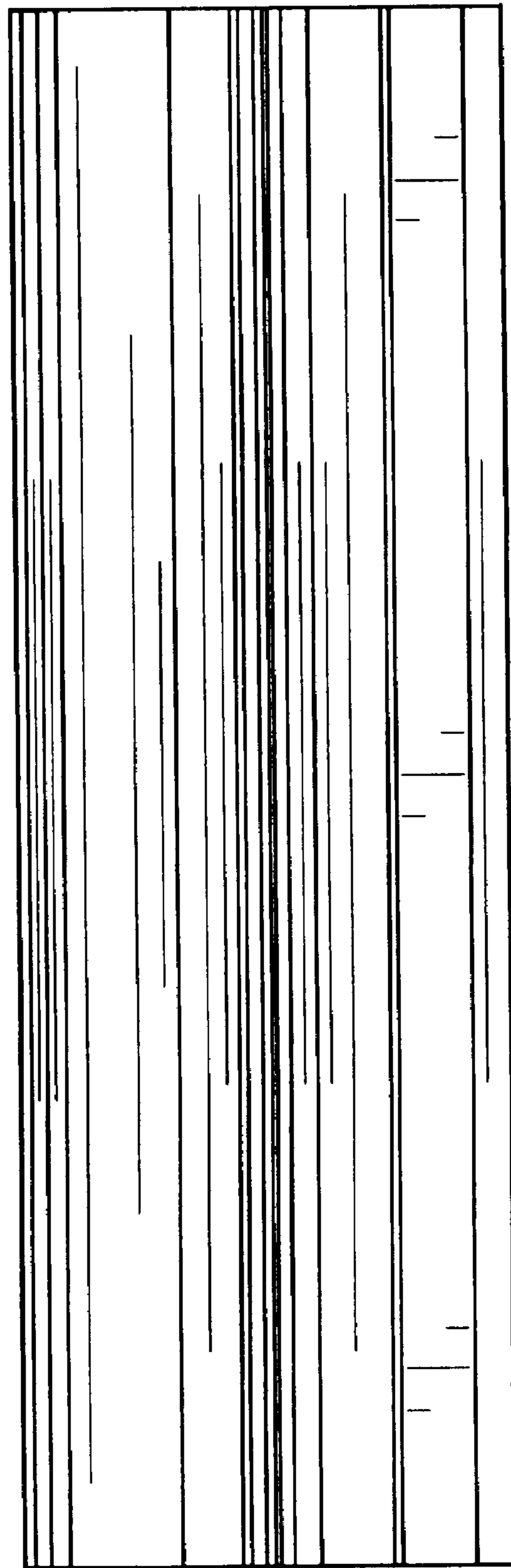


FIG. 6

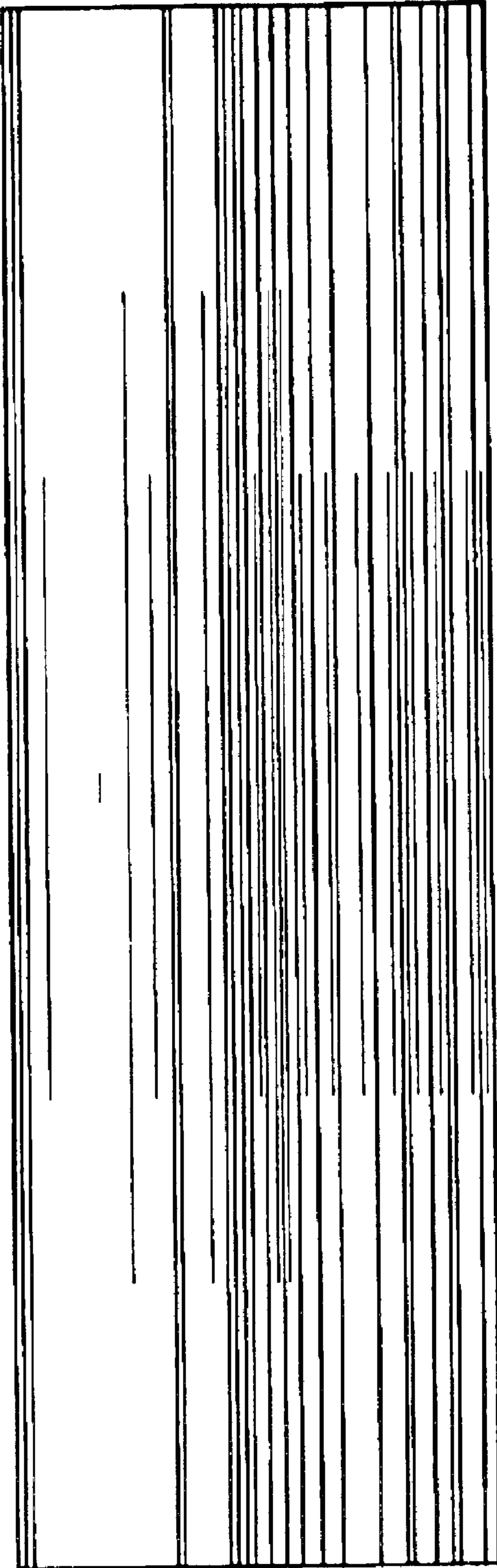


FIG. 7