

US00D498294S

(12) **United States Design Patent**
Dusar

(10) **Patent No.:** **US D498,294 S**

(45) **Date of Patent:** **** Nov. 9, 2004**

(54) **SHOWER ARRANGEMENT**

D480,457 S * 10/2003 Dimitriadis et al. D23/304

(75) Inventor: **Heinz Dusar**, Anhausen (DE)

* cited by examiner

(73) Assignee: **Dusar Kunststoff-und Metallwaren GmbH** (DE)

Primary Examiner—Robert A. Delehanty
(74) *Attorney, Agent, or Firm*—R W Becker & Associates;
R W Becker

(**) Term: **14 Years**

(57) **CLAIM**

(21) Appl. No.: **29/189,249**

The ornamental design for a shower arrangement, as shown and described.

(22) Filed: **Aug. 29, 2003**

DESCRIPTION

(30) **Foreign Application Priority Data**

Mar. 1, 2003 (DE) 403 01 773

FIG. 1 is a perspective view of a shower arrangement showing my new design.

(51) **LOC (7) Cl.** **23-02**

FIG. 2 is a front view thereof;

(52) **U.S. Cl.** **D23/304**

FIG. 3 is a rear view thereof;

(58) **Field of Search** D23/270, 275,
D23/279, 283, 303, 304; 4/552, 605, 596-597,
615; 248/229.1, 230.1, 230.3; D8/355, 373

FIG. 4 is a right side view thereof;

FIG. 5 is a left side view thereof;

FIG. 6 is a top view thereof; and,

FIG. 7 is a bottom view thereof.

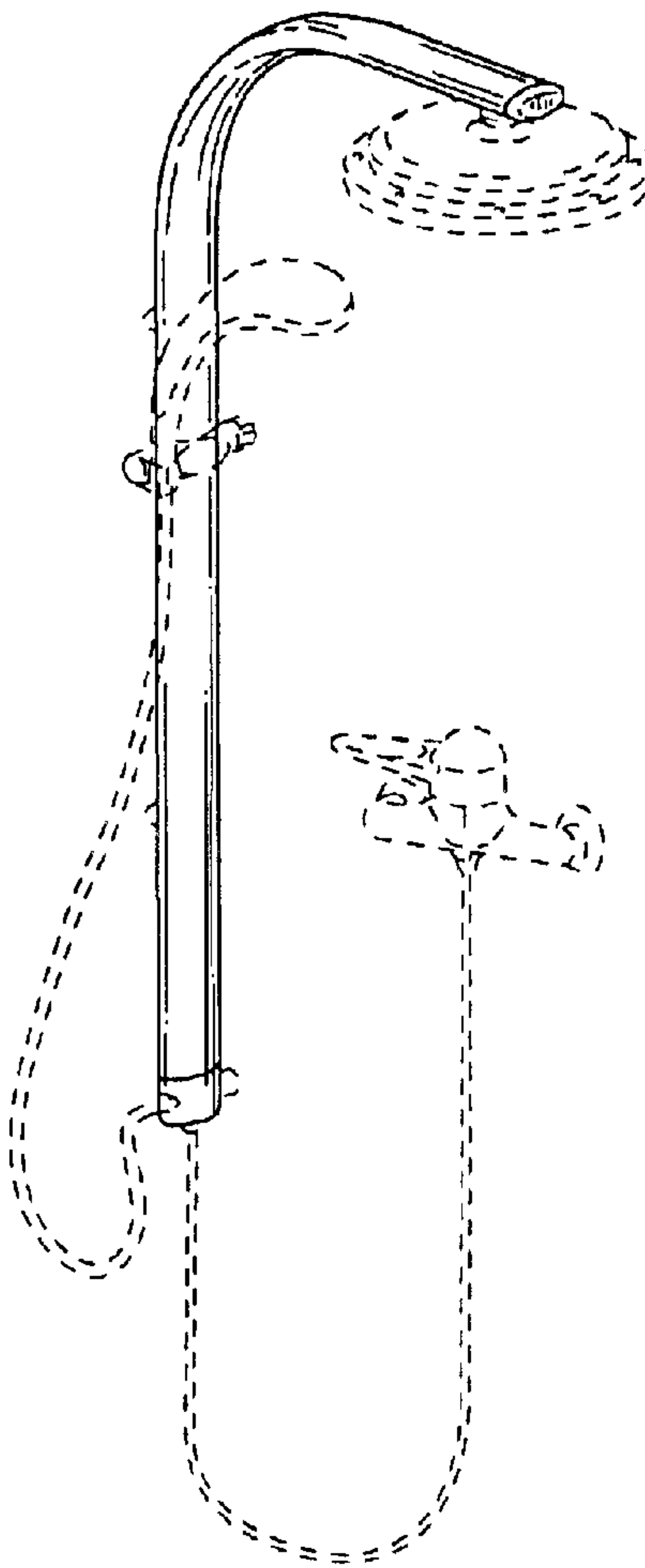
(56) **References Cited**

The broken lines showing of a shower head, controls and hoses is for illustrative purposes only and forms no part of the claimed design.

U.S. PATENT DOCUMENTS

4,174,822 A * 11/1979 Larsson 248/229.1

1 Claim, 4 Drawing Sheets



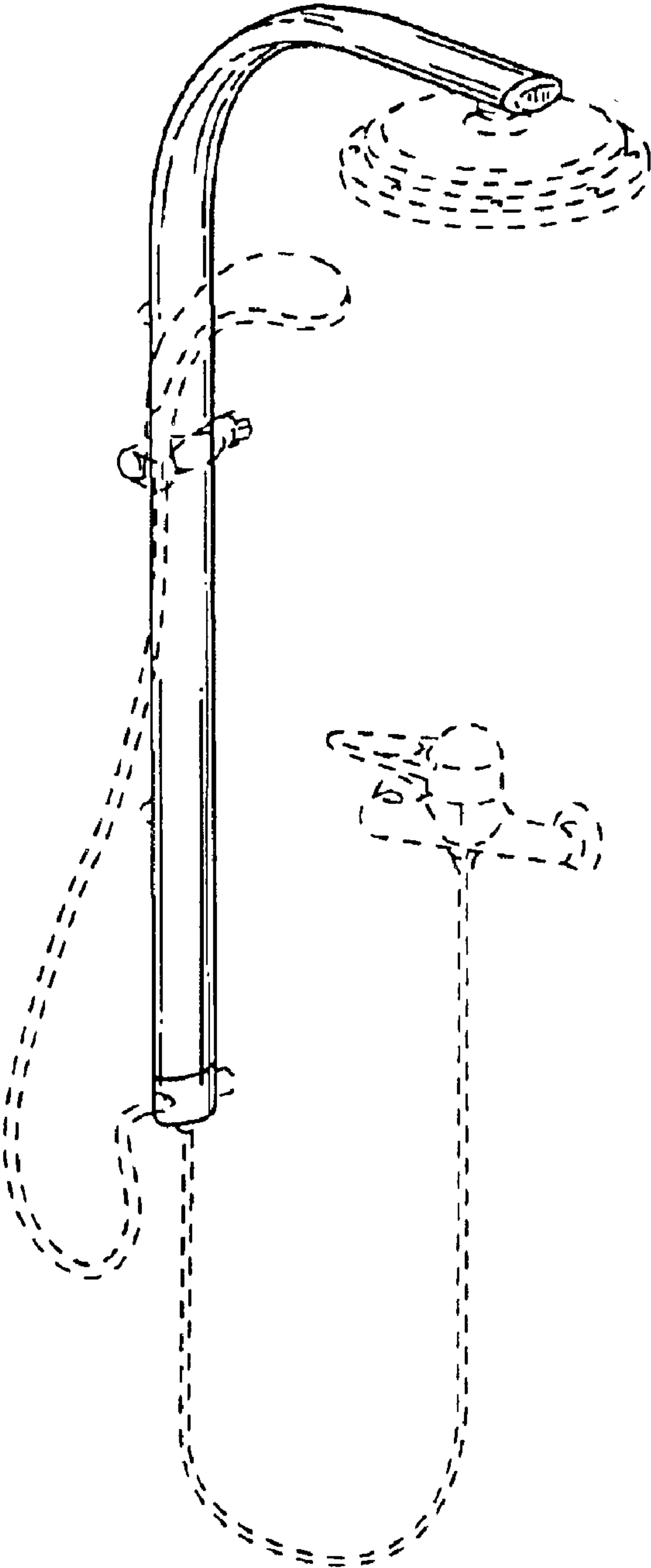


FIG. 1

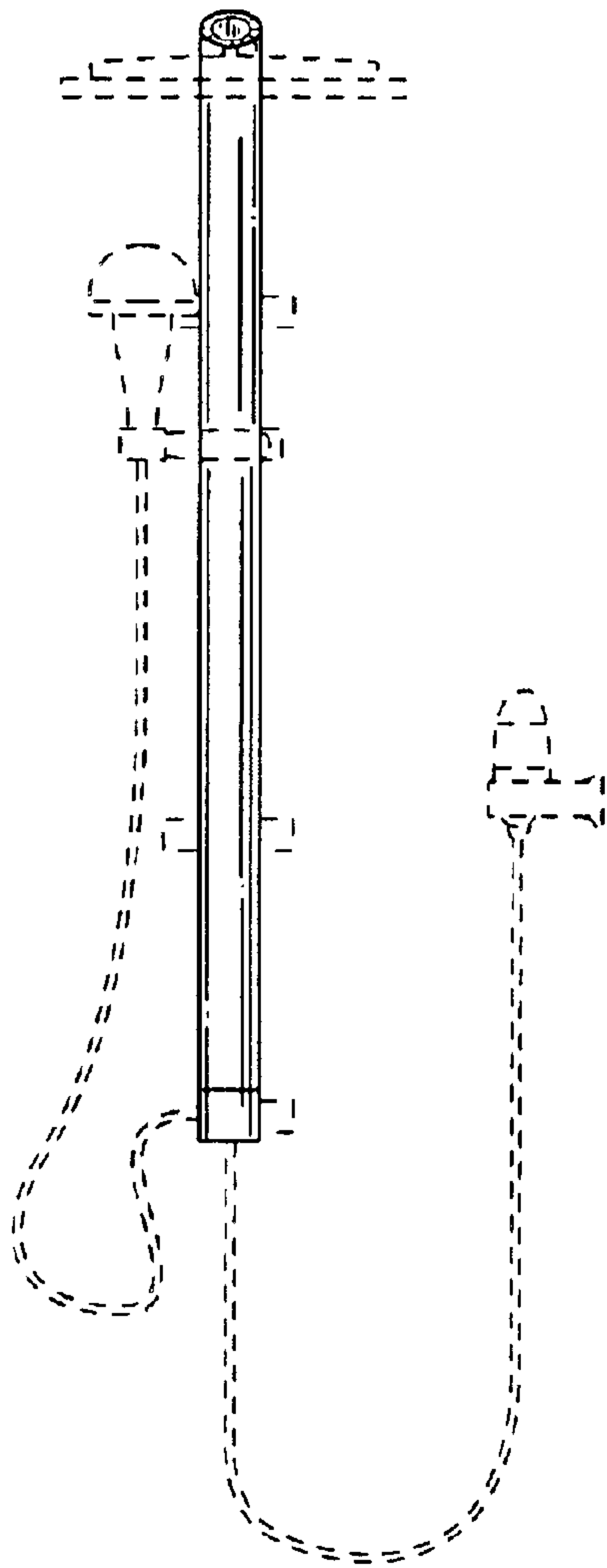


FIG. 2

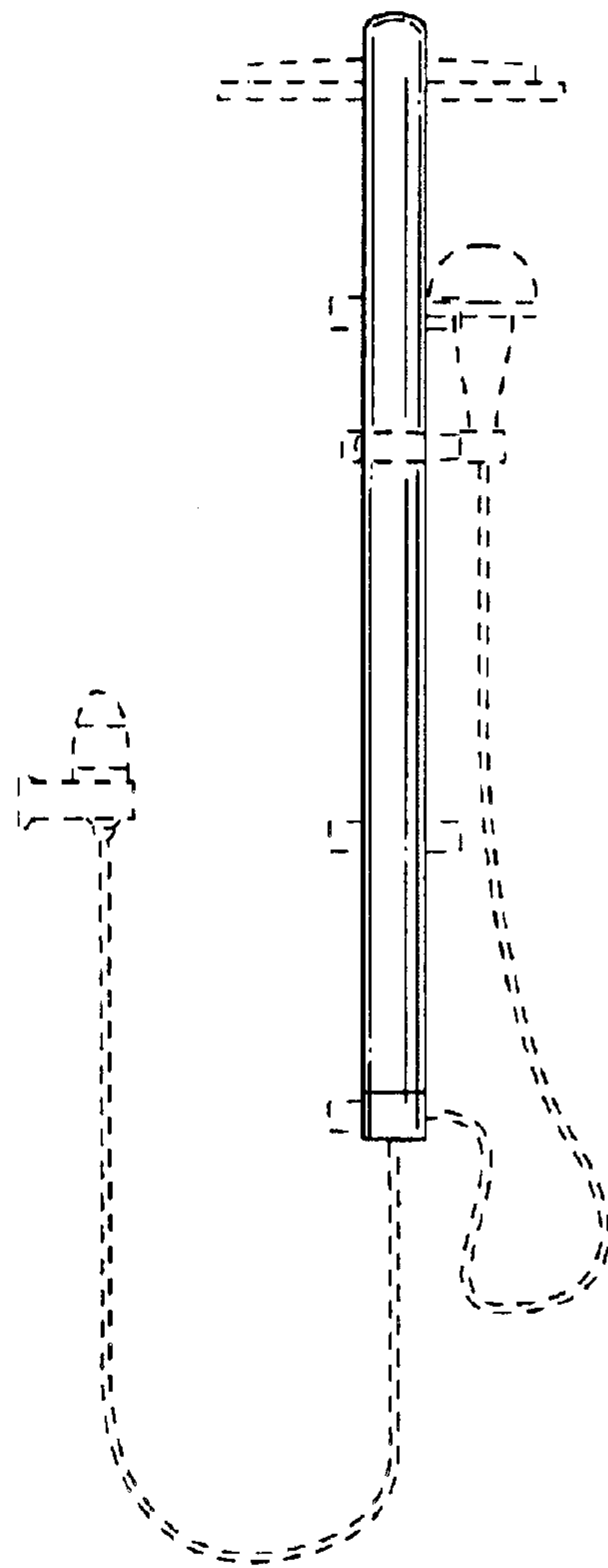


FIG. 3

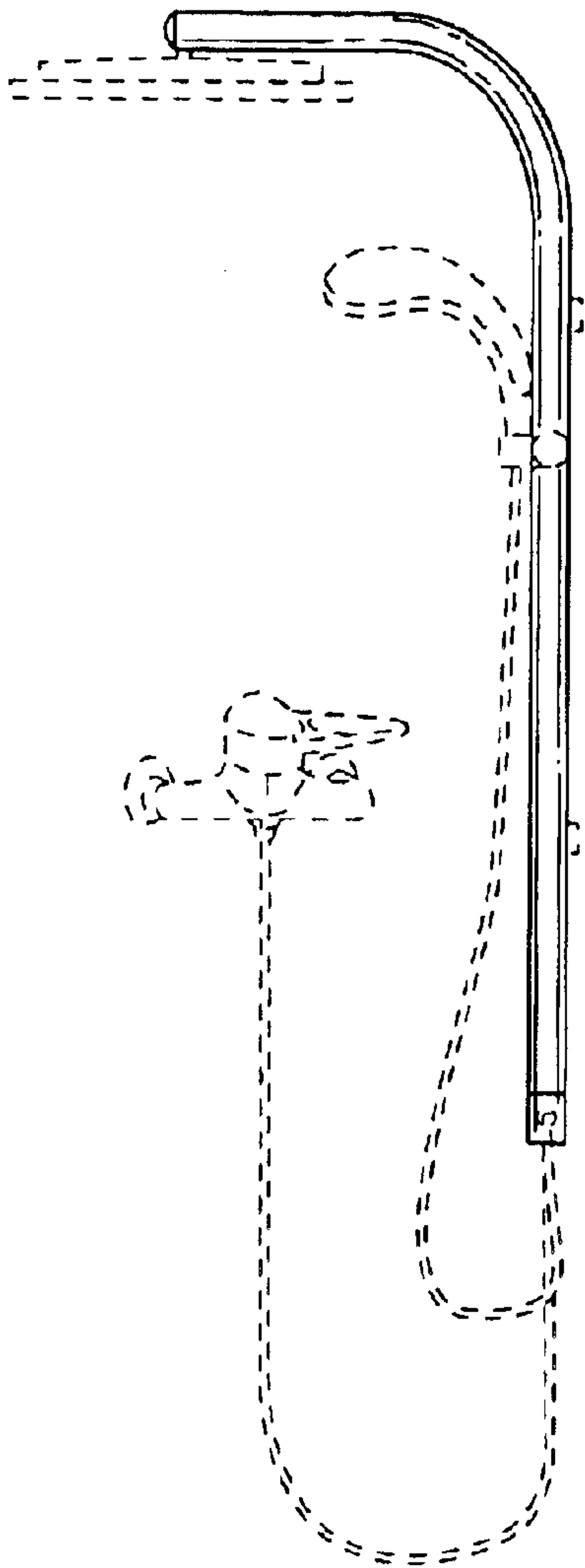


FIG.4

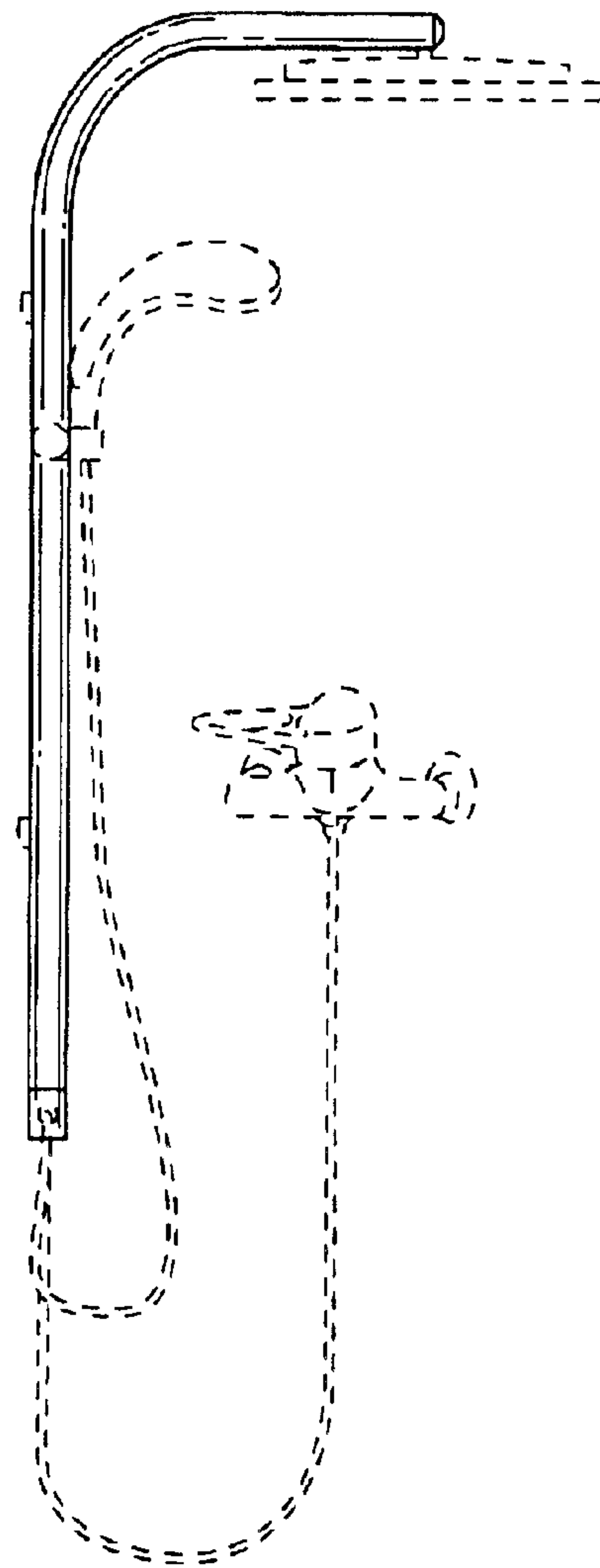


FIG.5

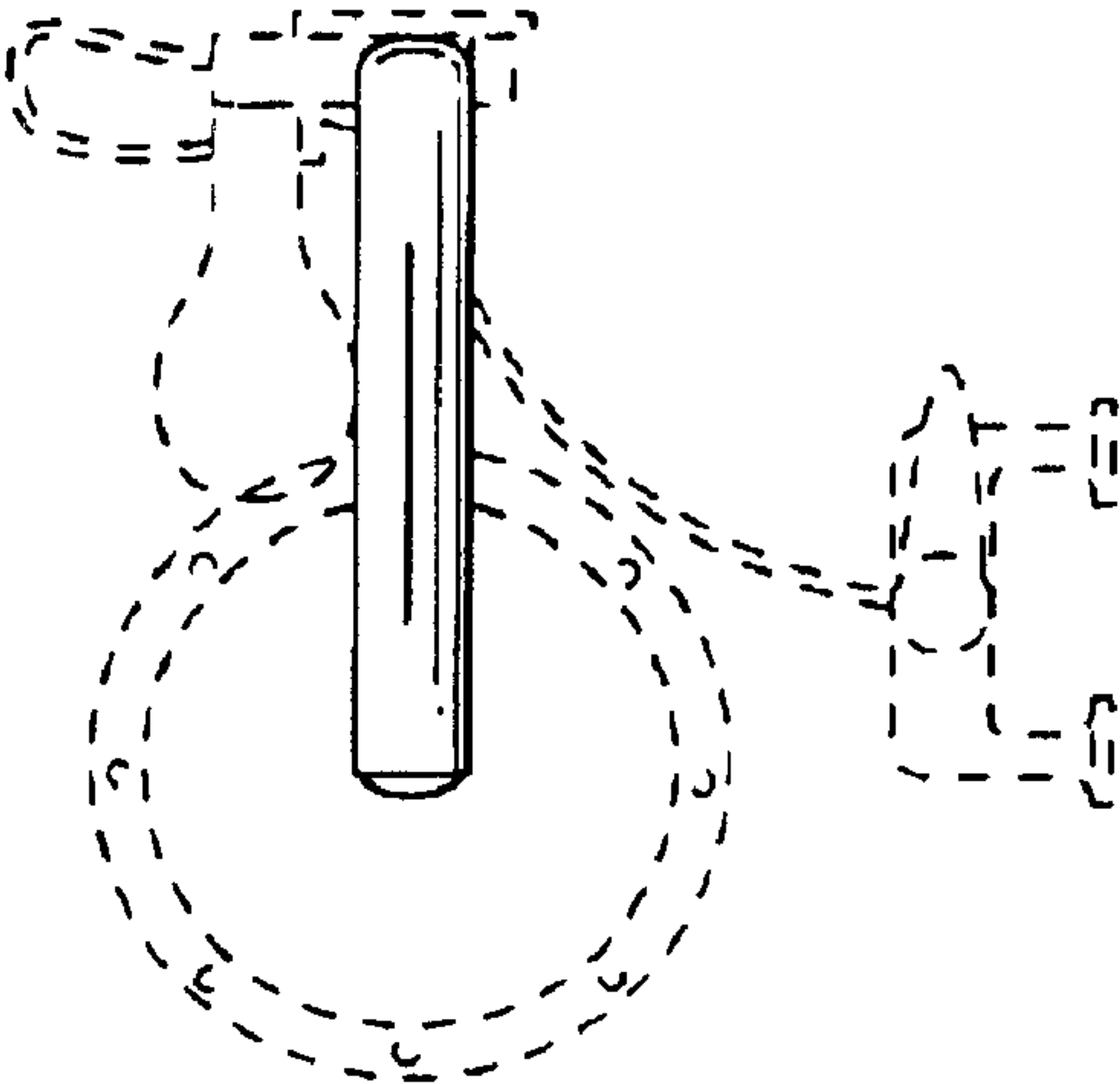


FIG.6

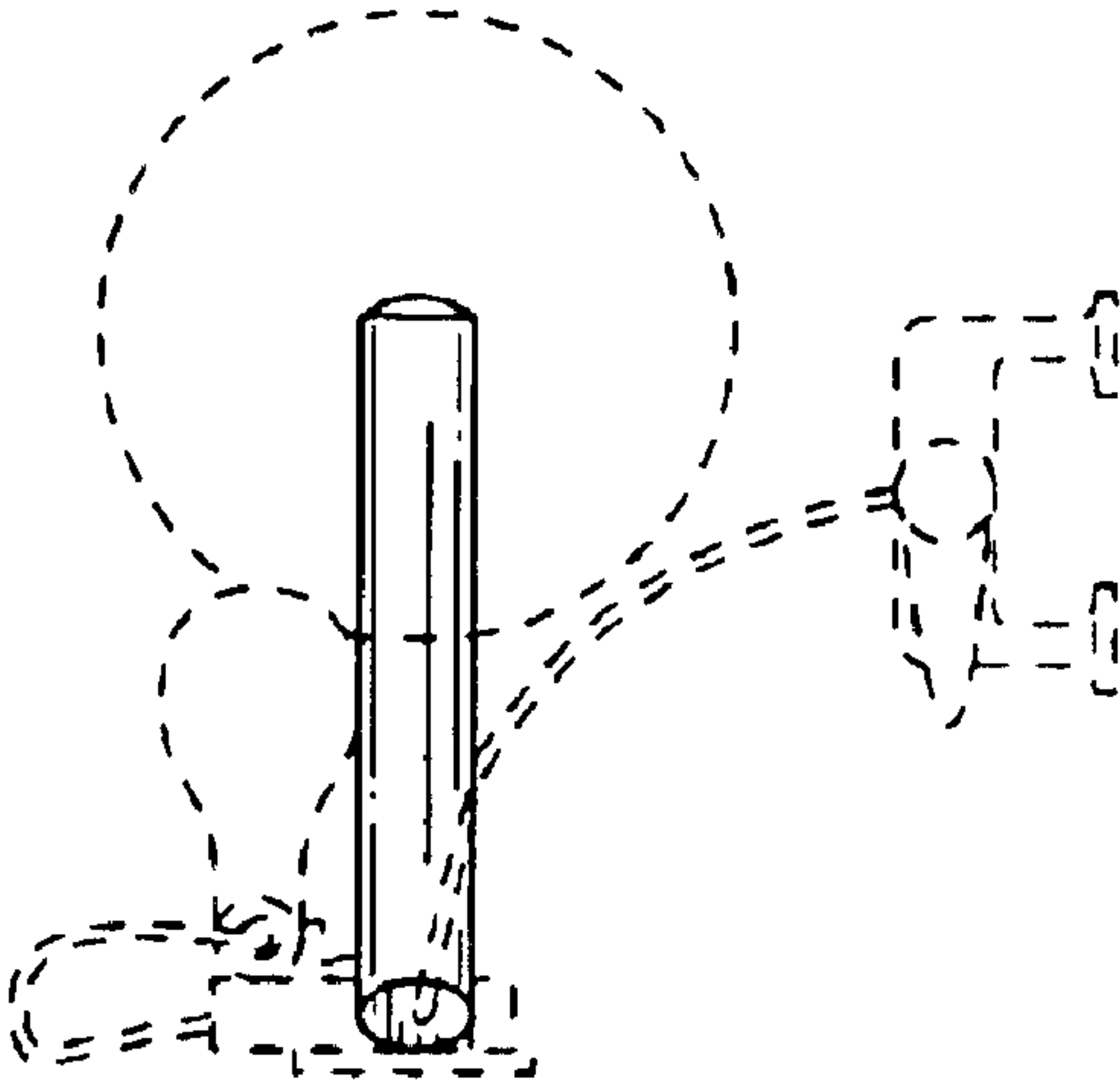


FIG.7