

US00D498293S

(12) **United States Design Patent**  
**Sutopo**

(10) **Patent No.:** **US D498,293 S**

(45) **Date of Patent:** **\*\* Nov. 9, 2004**

(54) **LAVATORY**

(75) **Inventor:** **Elise A. Sutopo**, Sheboygan, WI (US)

(73) **Assignee:** **Kohler Co.**, Kohler, WI (US)

(\*\*) **Term:** **14 Years**

(21) **Appl. No.:** **29/179,483**

(22) **Filed:** **Apr. 10, 2003**

(51) **LOC (7) Cl.** ..... **23-02**

(52) **U.S. Cl.** ..... **D23/293.1**

(58) **Field of Search** ..... D23/271, 273,  
D23/284–286, 293.1, 303, 308; 4/630–642,  
661, 663–665, 619, 645–646, 650–652;  
D2/289–292

(56) **References Cited**

**U.S. PATENT DOCUMENTS**

D340,970 S	11/1993	Kohler, Jr. et al.	.....	D23/294
D361,372 S	8/1995	Enthoven	.....	D23/293.1
D384,404 S	9/1997	Kergoet	.....	D23/284
D386,566 S	* 11/1997	Zankow	.....	D23/284
D399,935 S	* 10/1998	Nagato	.....	D23/293.1
D400,237 S	* 10/1998	Millard et al.	.....	D23/293.1
D426,623 S	* 6/2000	Svendson	.....	D23/284
D443,049 S	5/2001	Kuo	.....	D23/293.1
D446,288 S	* 8/2001	McKeone et al.	.....	D23/293.1
6,353,944 B1	* 3/2002	Clayton	.....	4/651
D487,502 S	* 3/2004	Ruxchaivan	.....	D23/293.1

**OTHER PUBLICATIONS**

1999 American Standard catalog ad showing a “Morning” lavatory. @1999.

2001 American Standard catalog ad showing a “Crescendo” lavatory. @2000.

Undated Jacob Delafon catalog ad showing a “Ronde” lavatory, admitted prior art. N.D.

Undated Kohler catalog ad, p. 6.25, showing a “Folio” lavatory, admitted prior art. N. D.

\* cited by examiner

*Primary Examiner*—Robert A. Delehanty

(74) *Attorney, Agent, or Firm*—Quarles & Brady LLP

(57) **CLAIM**

The ornamental design for a lavatory, as shown and described.

**DESCRIPTION**

In a preferred embodiment, the nature of this product is as a plumbing fixture in the form of a lavatory which is primarily useful for washing the body parts of humans.

FIG. 1 is a right, top, front perspective view of a lavatory embodying my new design;

FIG. 2 is a top plan view thereof;

FIG. 3 is a front elevational view thereof;

FIG. 4 is a right side elevational view thereof, the left side elevational view being a mirror image of the right side shown;

FIG. 5 is a rear elevational view thereof;

FIG. 6 is a bottom plan view thereof;

FIG. 7 is a cross-sectional view thereof taken along line 7—7 of FIG. 2; and,

FIG. 8 is a cross-sectional view thereof taken along line 8—8 of FIG. 2.

The broken line representations of holes in FIGS. 1, 2, 6, and 8 are for the purpose of illustration only, and form no part of the claimed design.

**1 Claim, 4 Drawing Sheets**

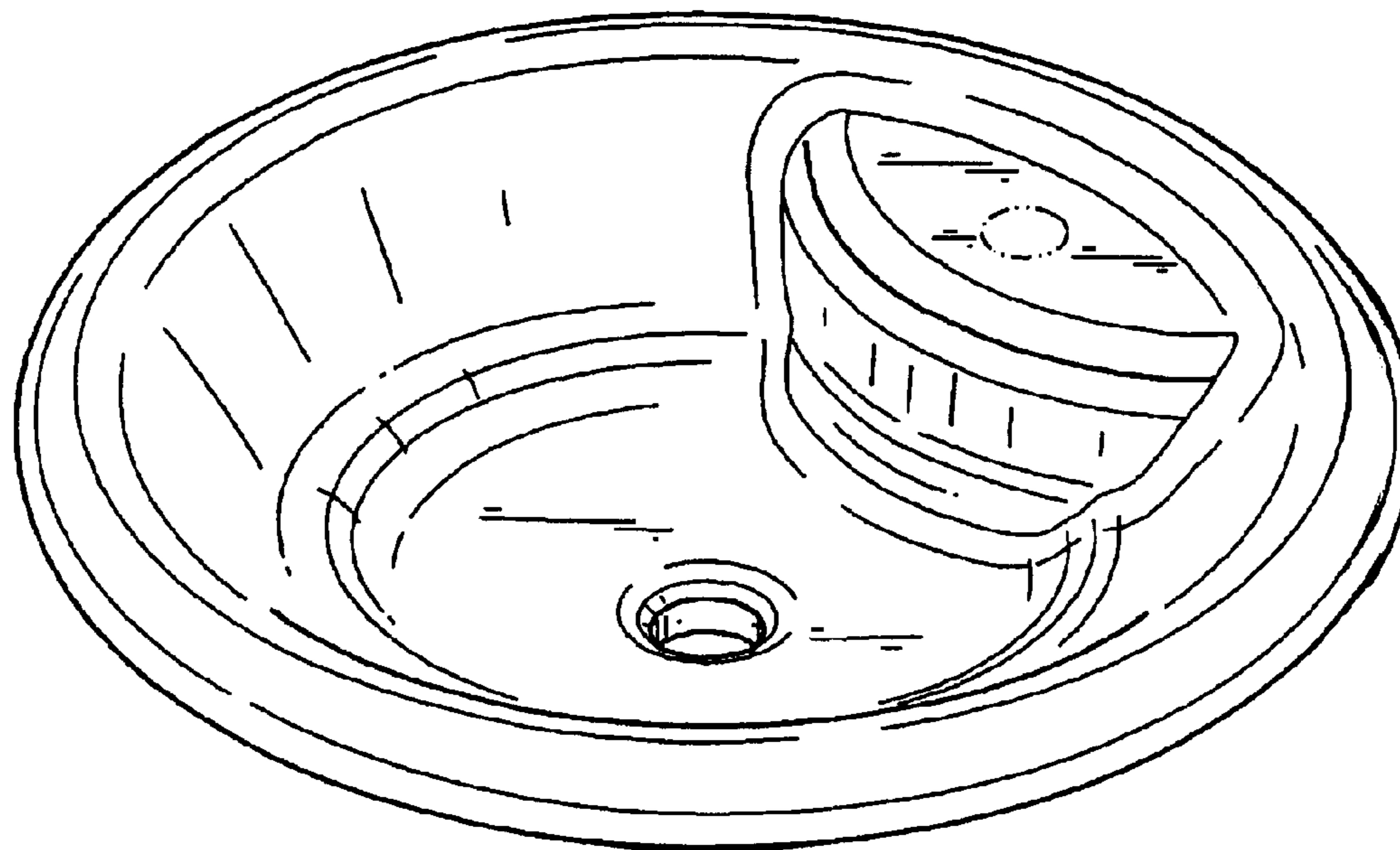
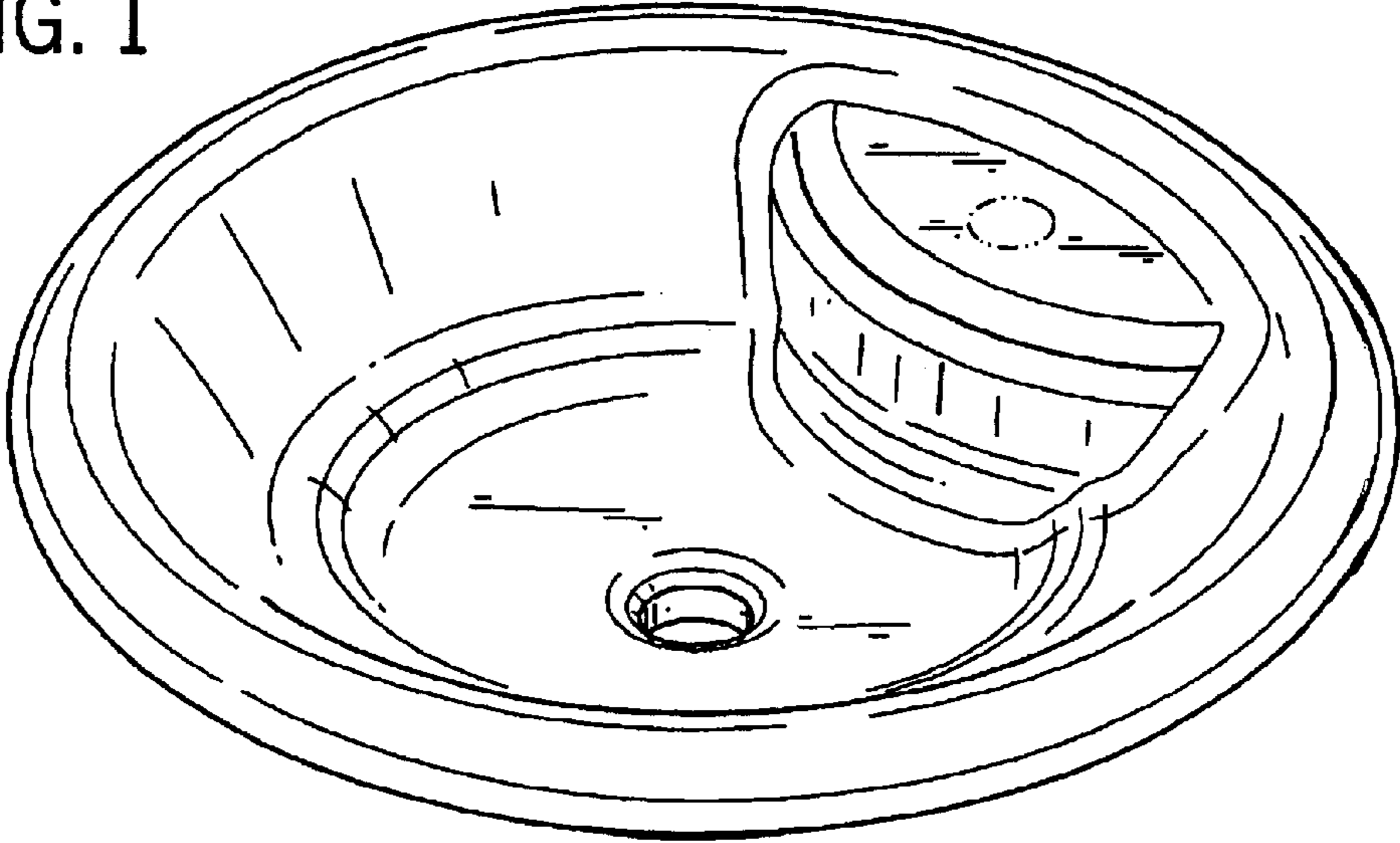
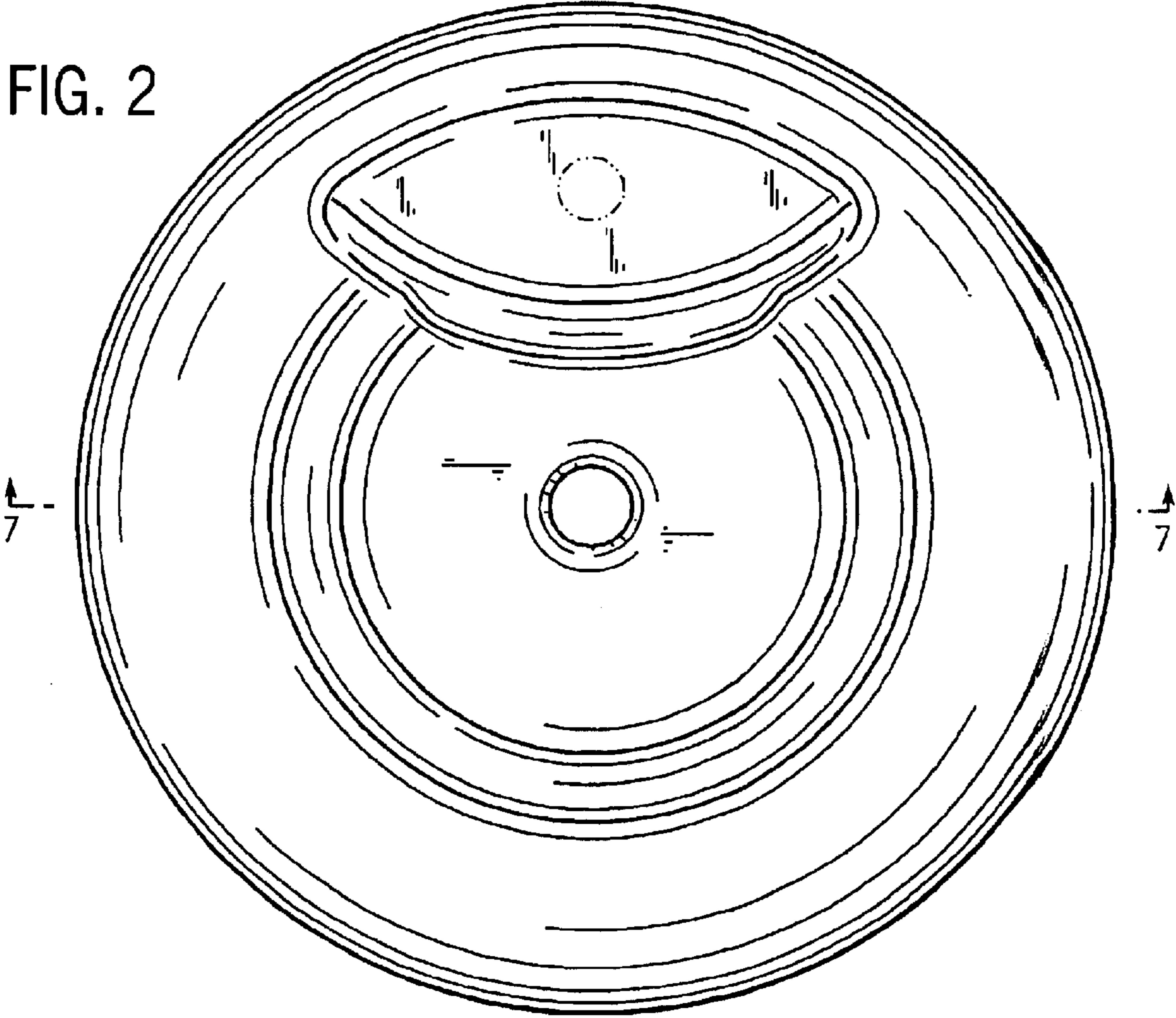


FIG. 1



8

FIG. 2



8

FIG. 3

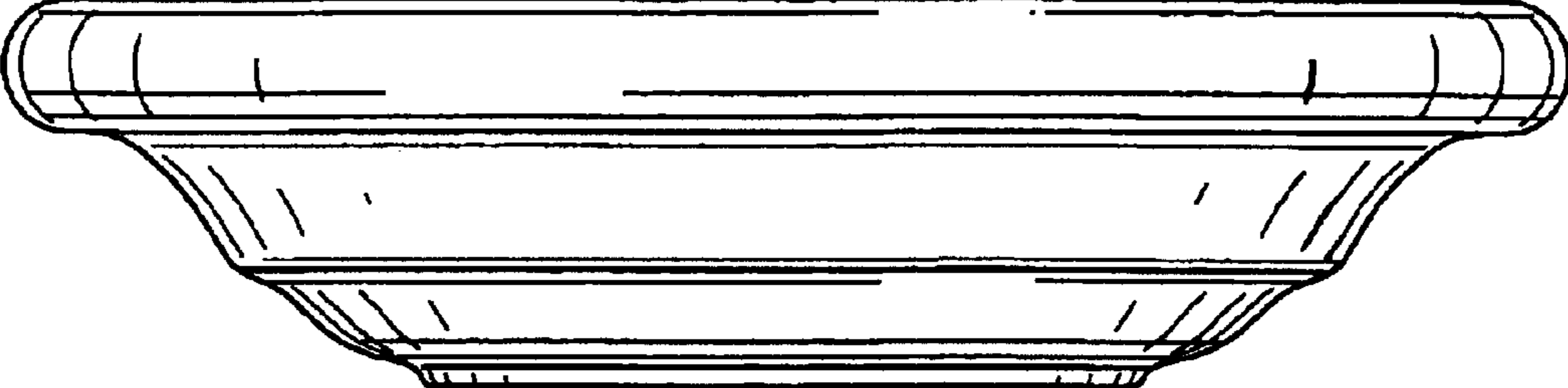


FIG. 4

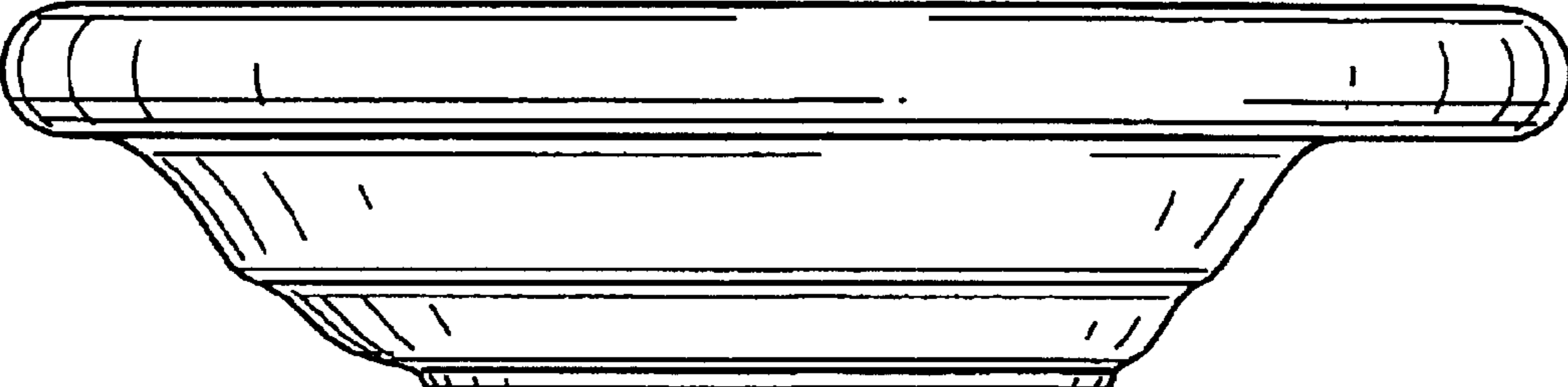


FIG. 5





FIG. 6

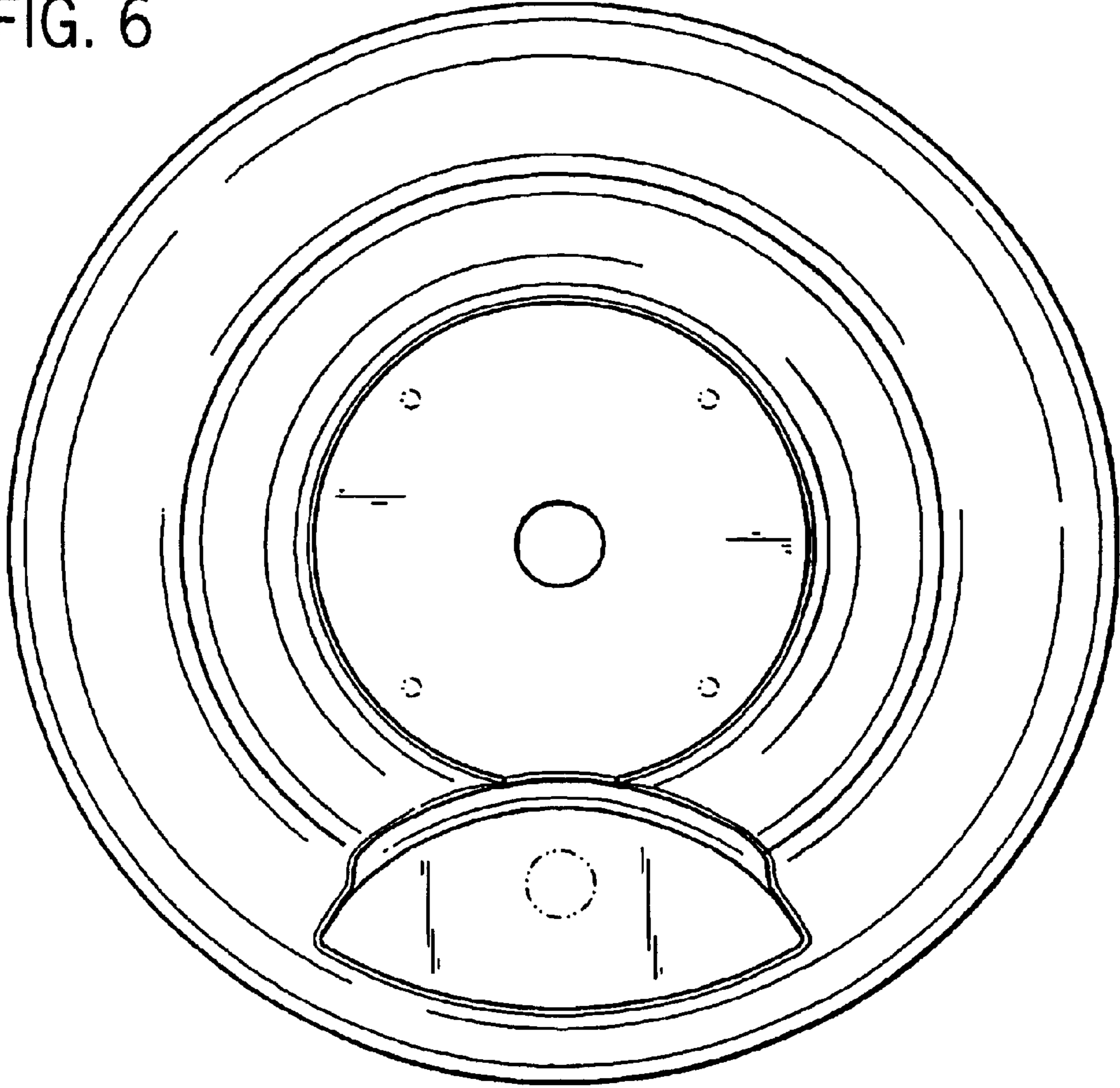


FIG. 7

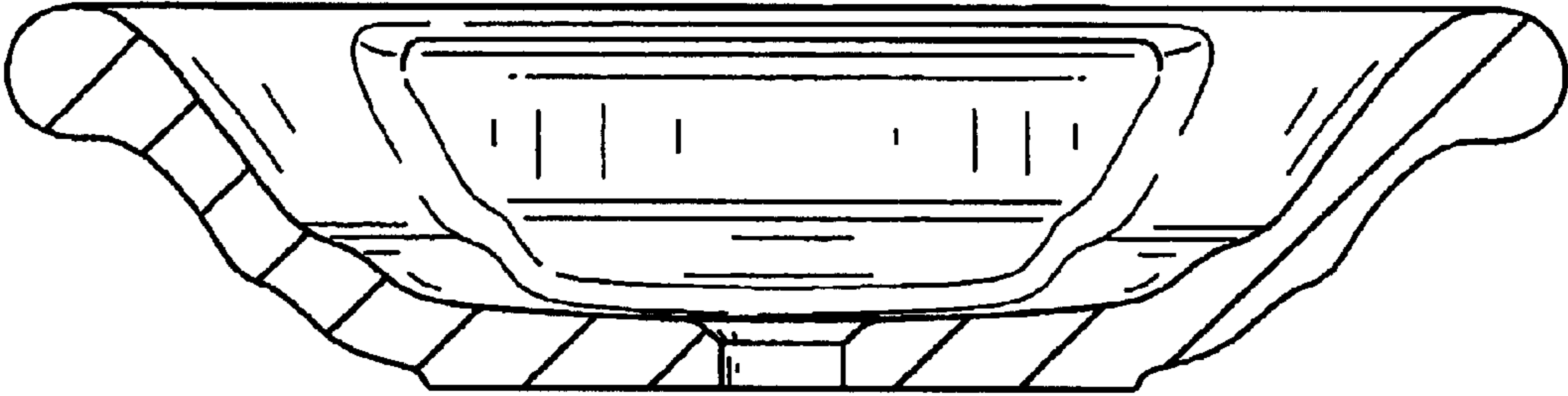


FIG. 8

