

US00D498291S

(12) **United States Design Patent** (10) **Patent No.:** **US D498,291 S**  
**Bayer** (45) **Date of Patent:** **\*\* Nov. 9, 2004**

- (54) **SINK**
- (75) Inventor: **Michelle E. Bayer**, Benton Harbor, MI (US)
- (73) Assignee: **Kohler Co.**, Kohler, WI (US)
- (\*\*) Term: **14 Years**
- (21) Appl. No.: **29/179,472**
- (22) Filed: **Apr. 10, 2003**
- (51) **LOC (7) Cl.** ..... **23-02**
- (52) **U.S. Cl.** ..... **D23/290**
- (58) **Field of Search** ..... D23/270–271, D23/273, 284–285, 290–292, 293.1, 303, 308; 4/664–665, 619, 522, 623–624, 639–642, 650–651, 660–661, 628

(56) **References Cited**

**U.S. PATENT DOCUMENTS**

1,222,123	A	*	4/1917	Nysewander	.....	4/642
D126,226	S	*	4/1941	Steiner	.....	D23/290
2,914,777	A	*	12/1959	Parson	.....	4/628
D200,845	S	*	4/1965	Aarnio	.....	D23/293.1
D210,828	S	*	4/1968	Mustee	.....	D23/290
4,338,688	A	*	7/1982	Petty	.....	4/661
6,006,388	A		12/1999	Young	.....	8/158
D456,497	S	*	4/2002	Prou	.....	D23/290

**OTHER PUBLICATIONS**

1999 Kallista catalog ad, p. 38, showing various kitchen sinks.

Undated Sterling catalog ad showing various kitchen sinks, admitted prior art.

1988 Kohler catalog ad, pp. 6–10, showing a “Watersilk” whirlpool.

2000 Kohler catalog ad, p. 16.43, showing an “Addison” sink.

\* cited by examiner

*Primary Examiner*—Robert A. Delehanty

(74) *Attorney, Agent, or Firm*—Quarles & Brady LLP

(57) **CLAIM**

The ornamental design for a sink, as shown and described.

**DESCRIPTION**

FIG. 1 is a right, top, front perspective view of a sink embodying my new design;

FIG. 2 is a top plan view thereof;

FIG. 3 is a front elevational view thereof, the rear elevational view thereof being a mirror image of the front elevational view shown;

FIG. 4 is a right side elevational view thereof;

FIG. 5 is a left side elevational view thereof;

FIG. 6 is a bottom plan view thereof;

FIG. 7 is a right, top, front perspective view of a second embodiment, the right side and left side elevational views thereof being identical to that shown in FIG. 4;

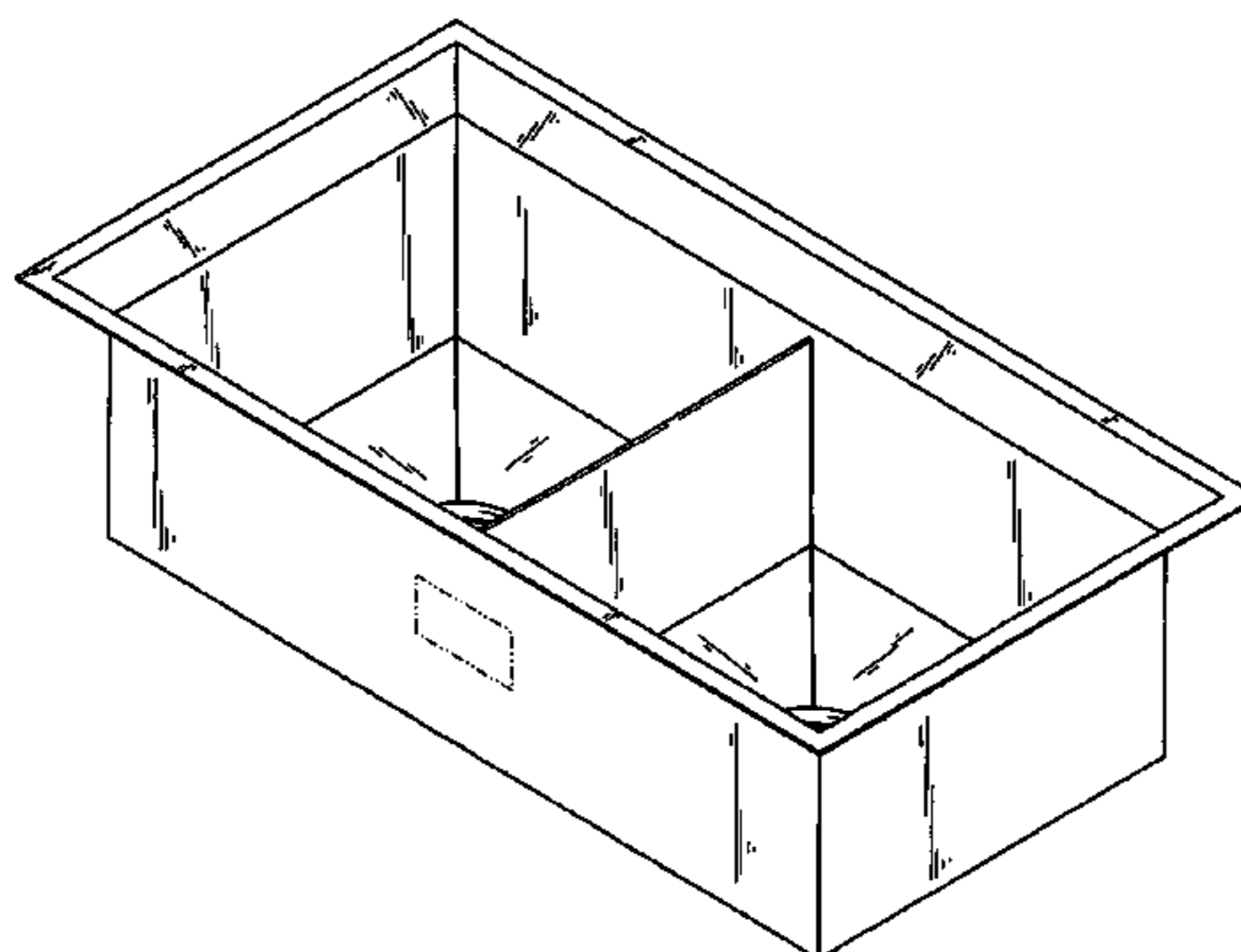
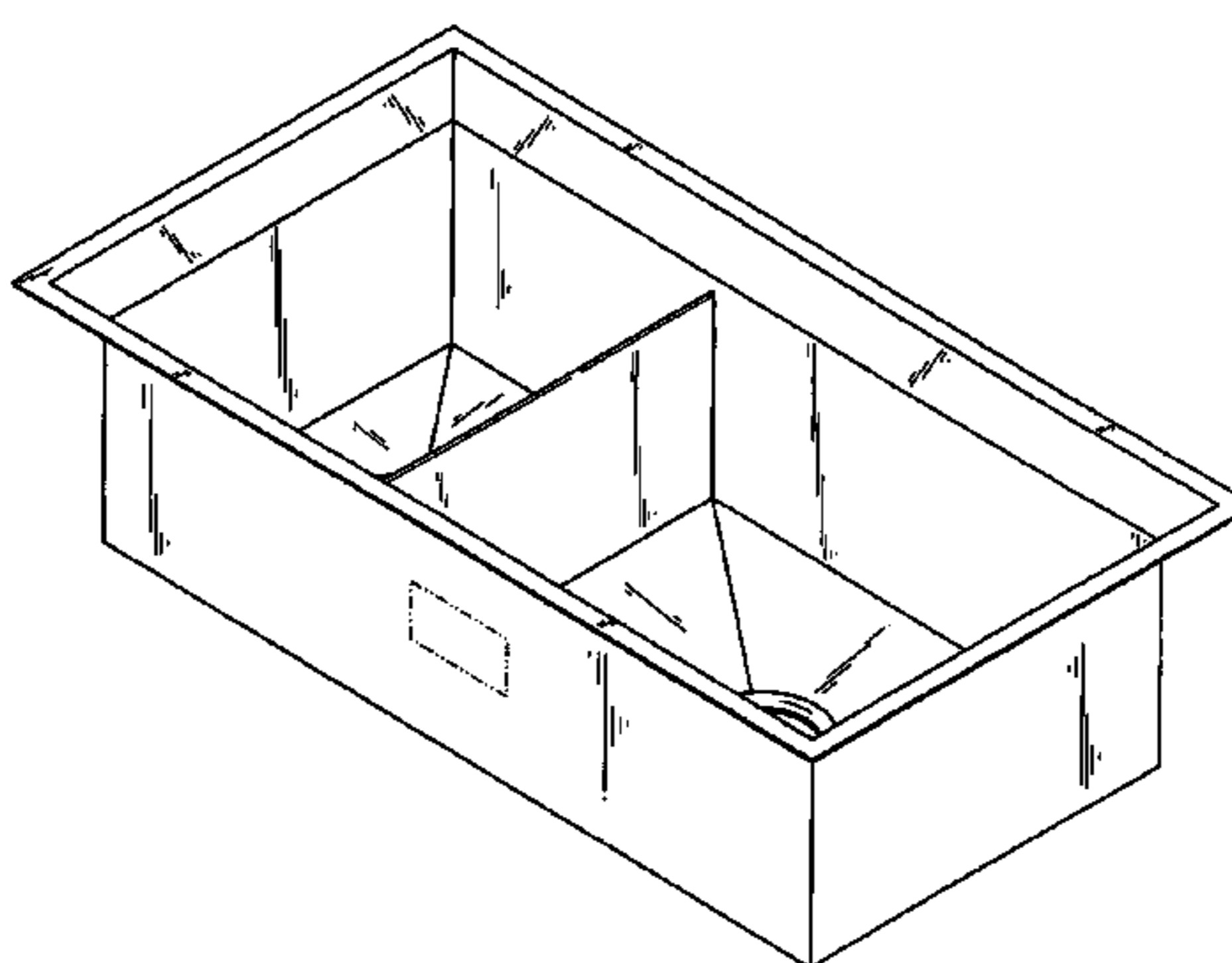
FIG. 8 is a top plan view thereof;

FIG. 9 is a front elevational view thereof, the rear elevational view thereof being a mirror image of the front elevational view shown; and,

FIG. 10 is a bottom plan view thereof.

The broken line representations of a sound deadening pad in FIGS. 1, 3, 4–7, and 9–10 are for the purpose of illustration only, and form no part of the claimed design.

**1 Claim, 6 Drawing Sheets**



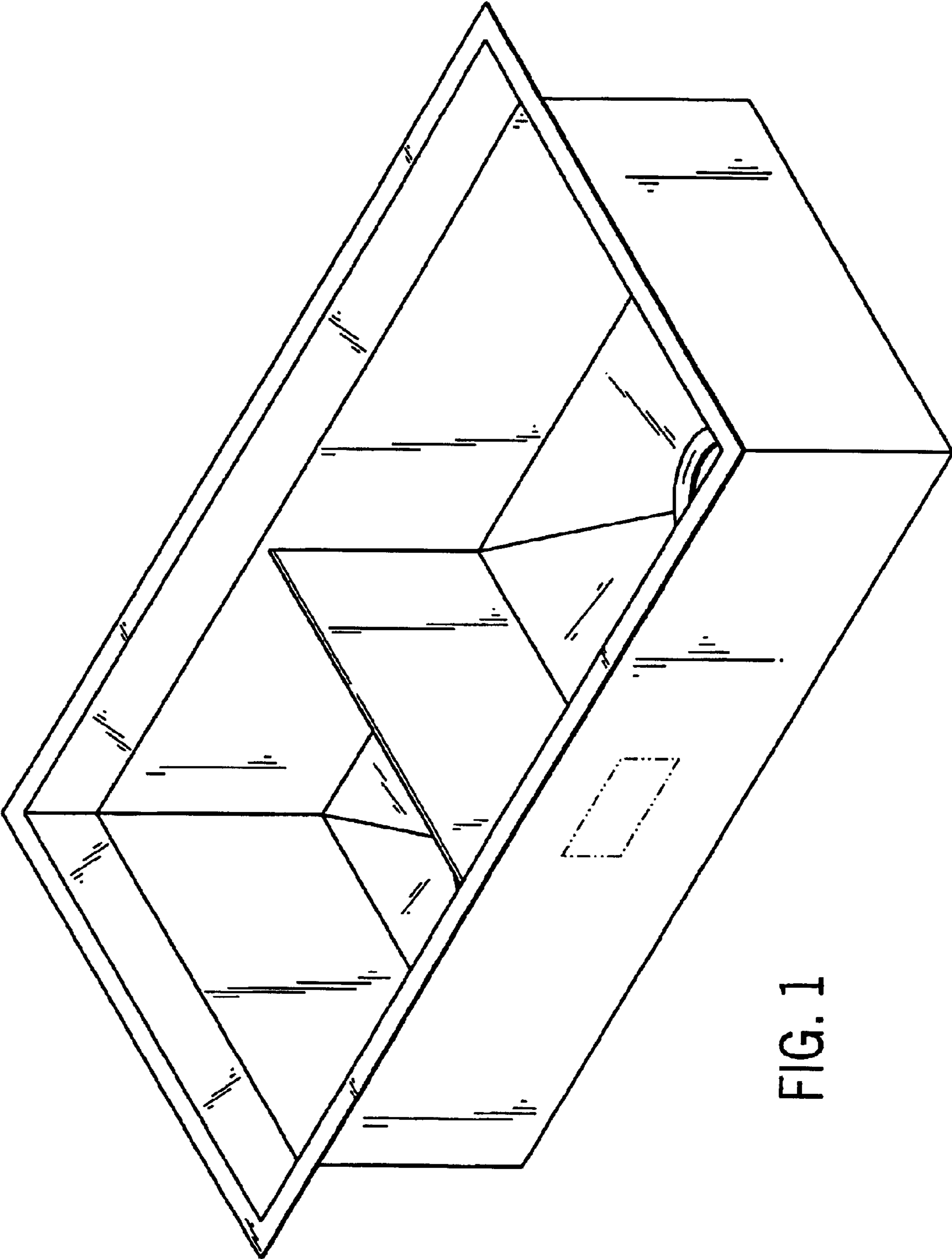


FIG. 1

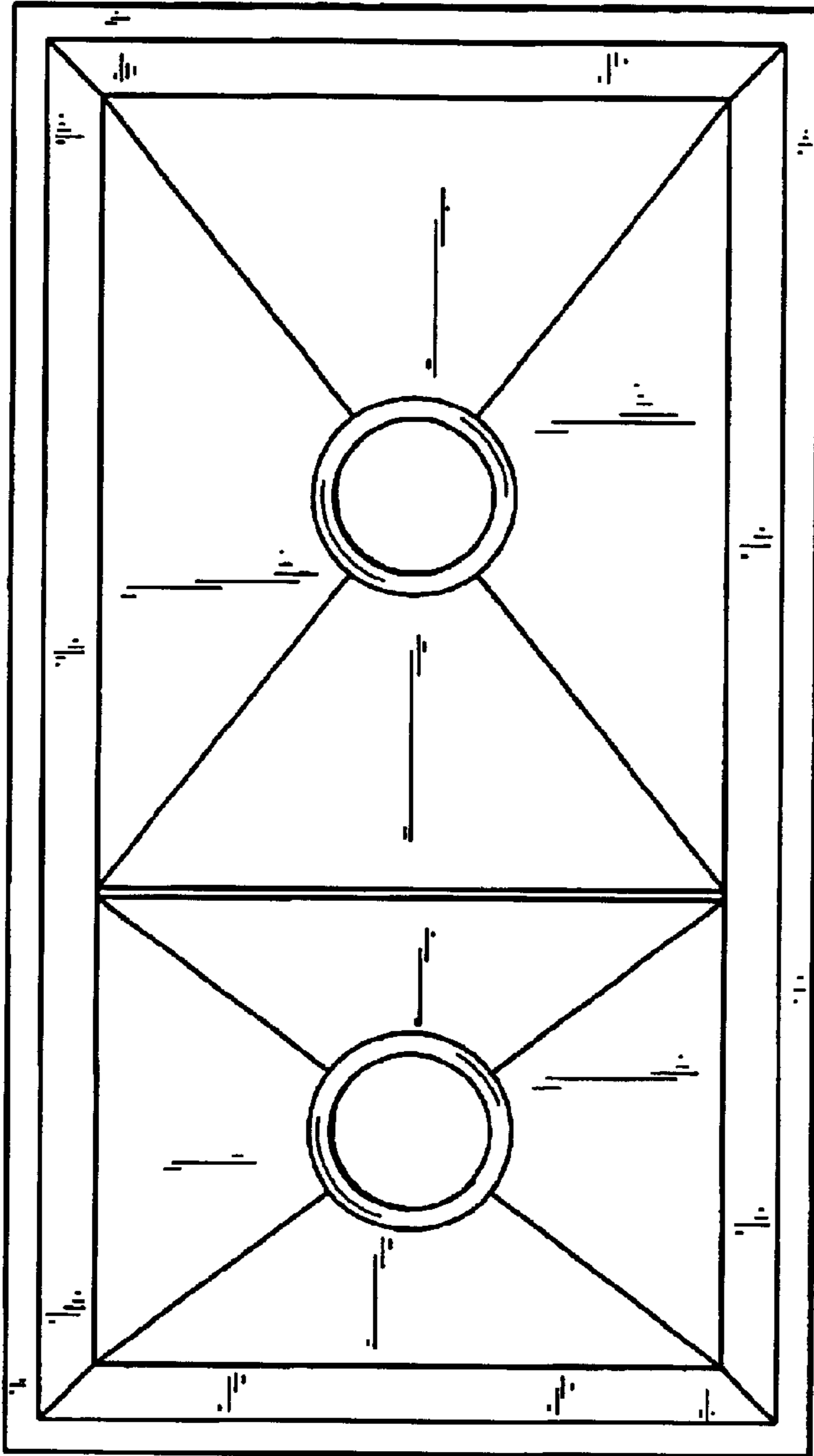


FIG. 2

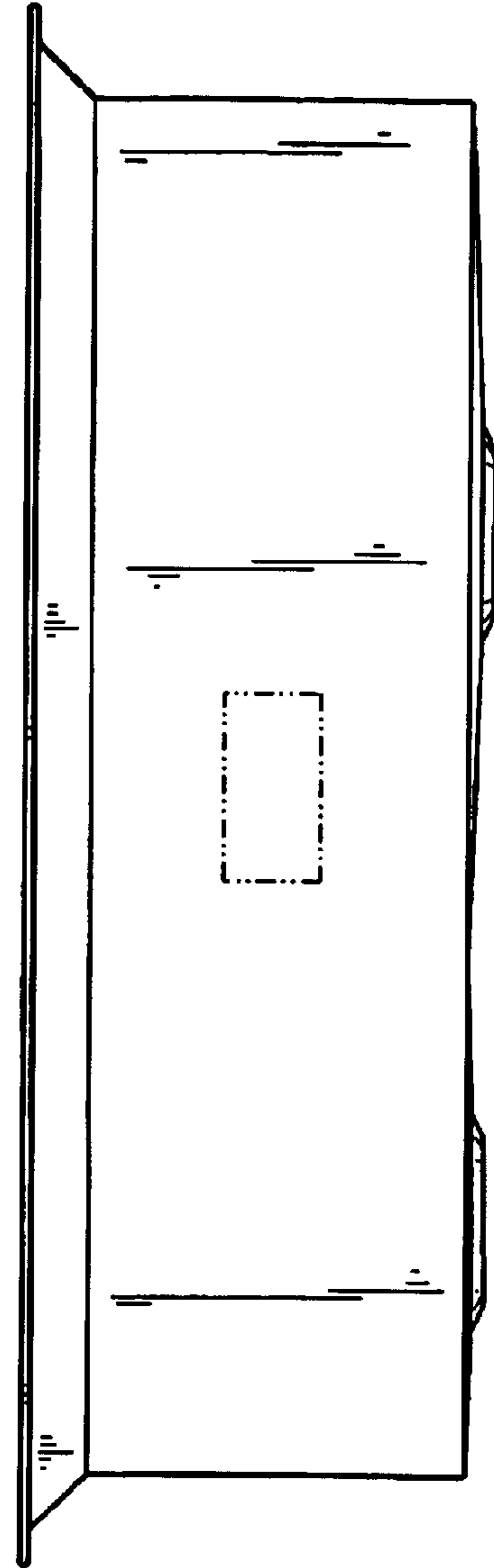


FIG. 3

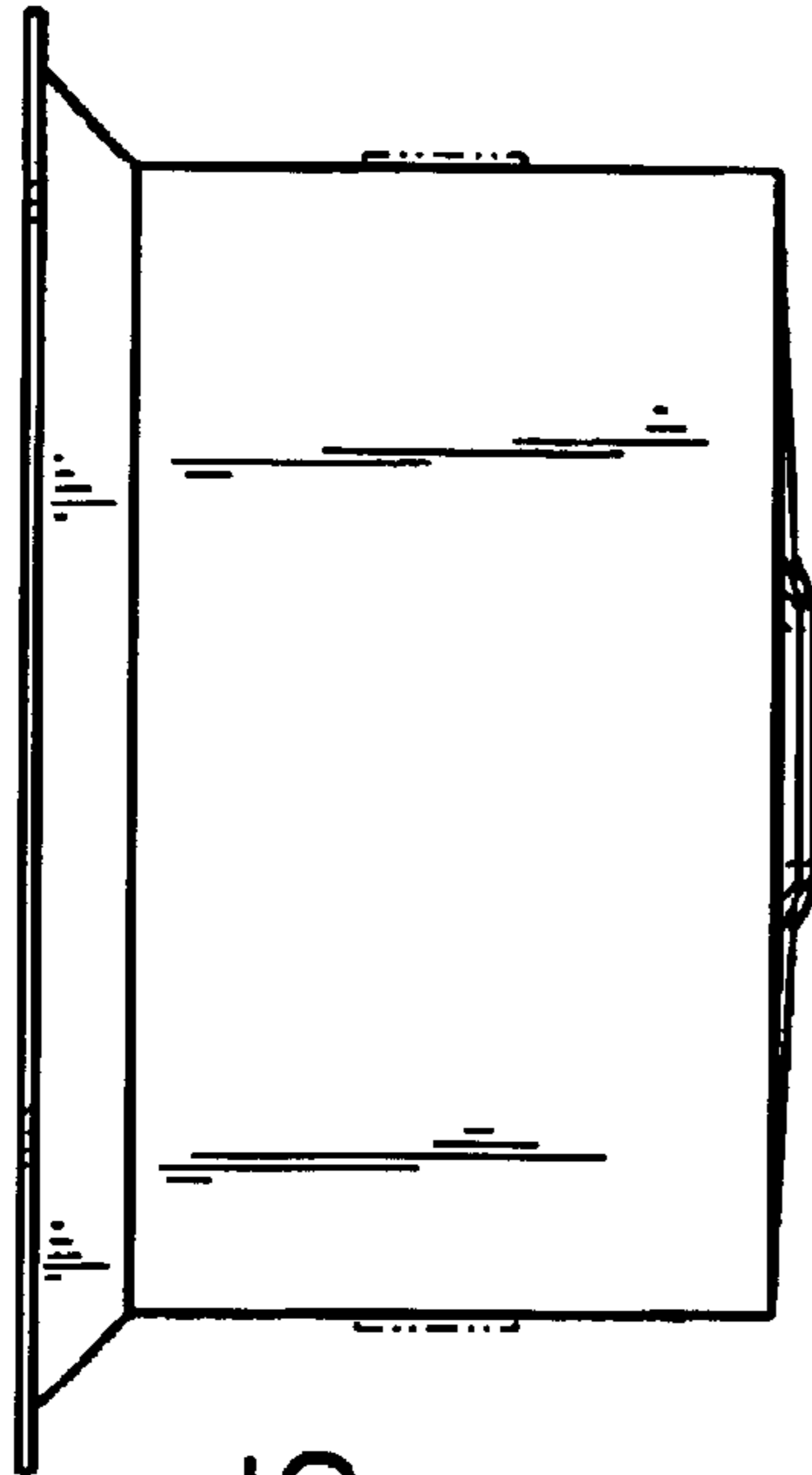


FIG. 4

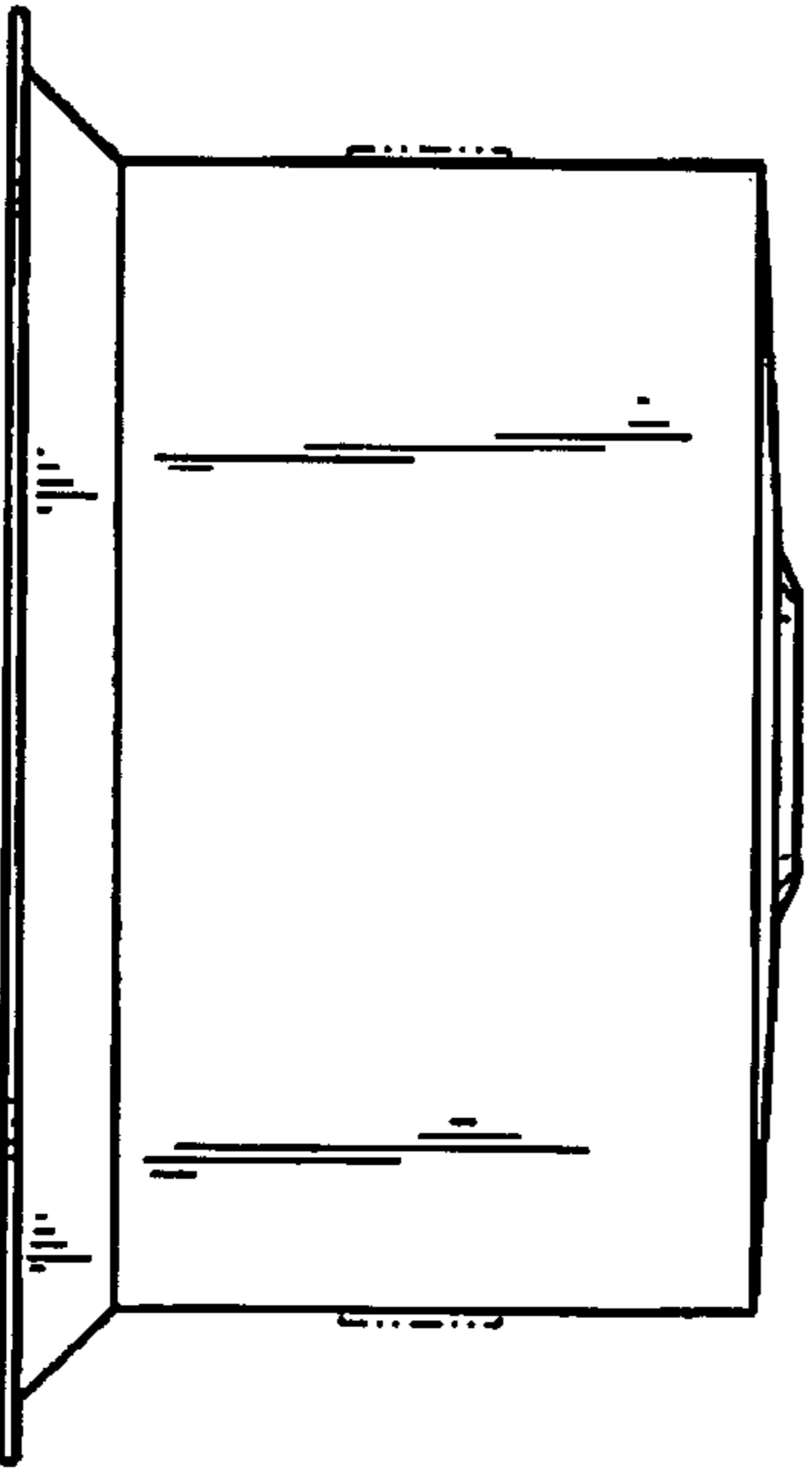


FIG. 5

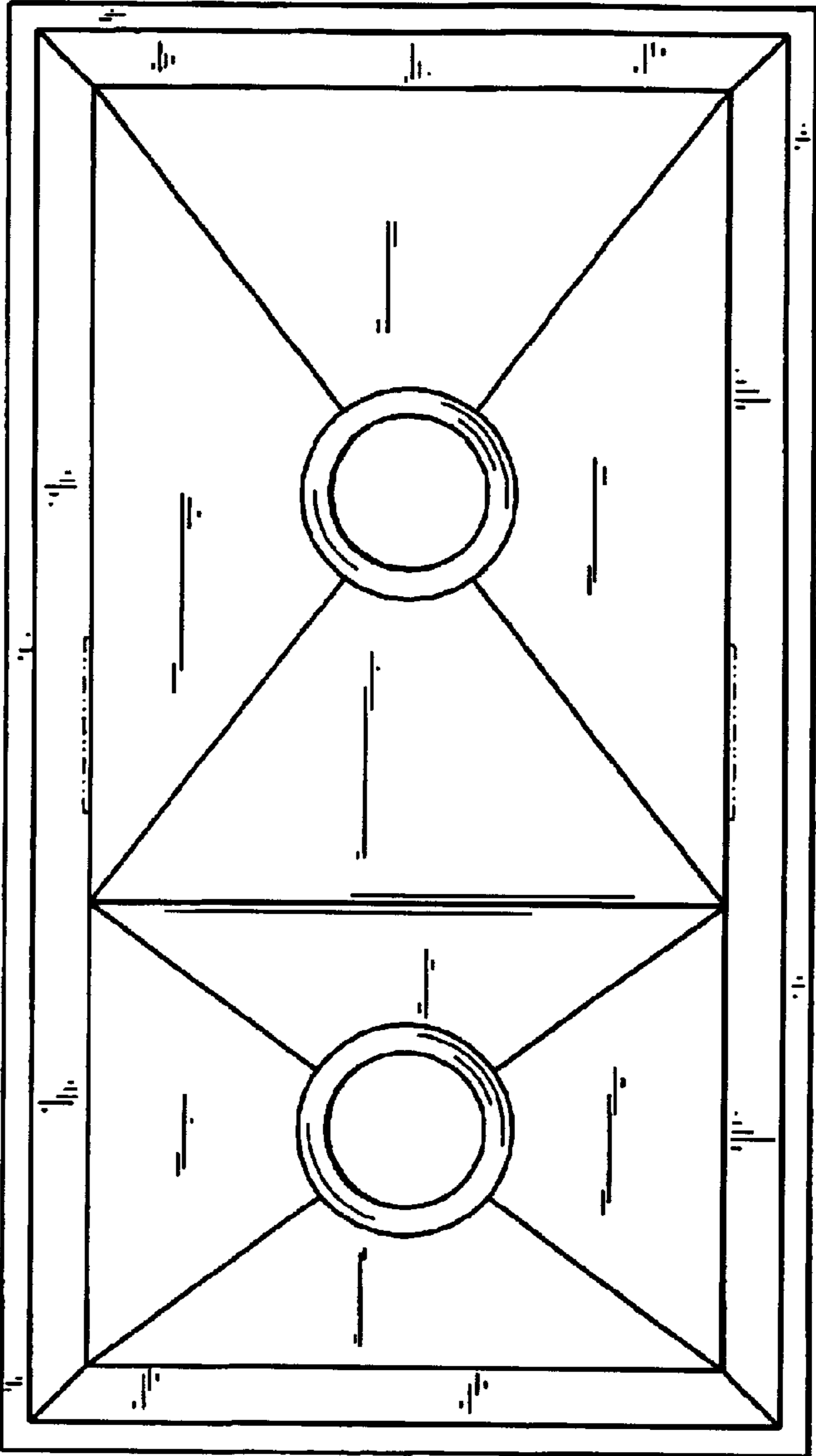


FIG. 6

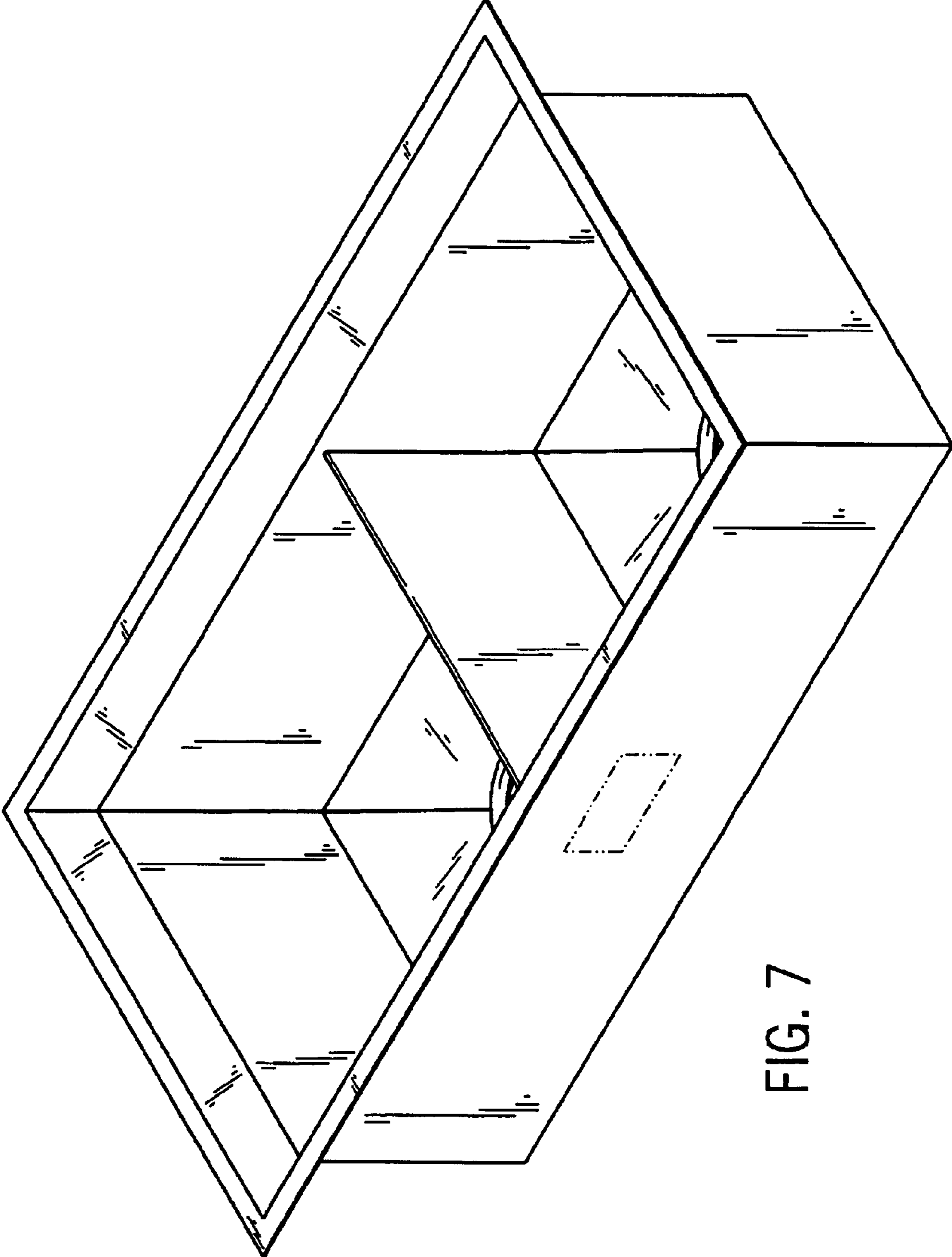


FIG. 7



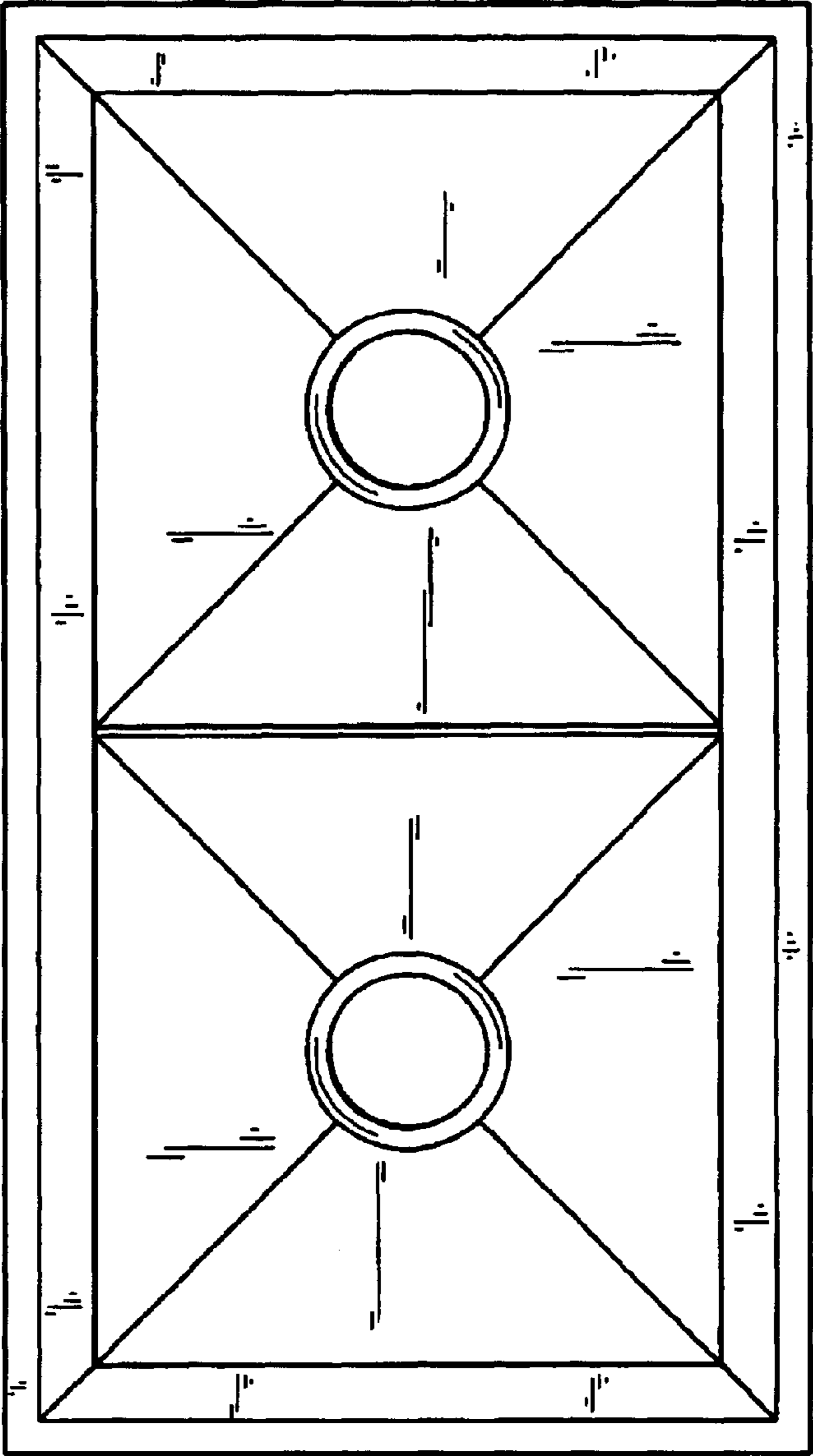


FIG. 8

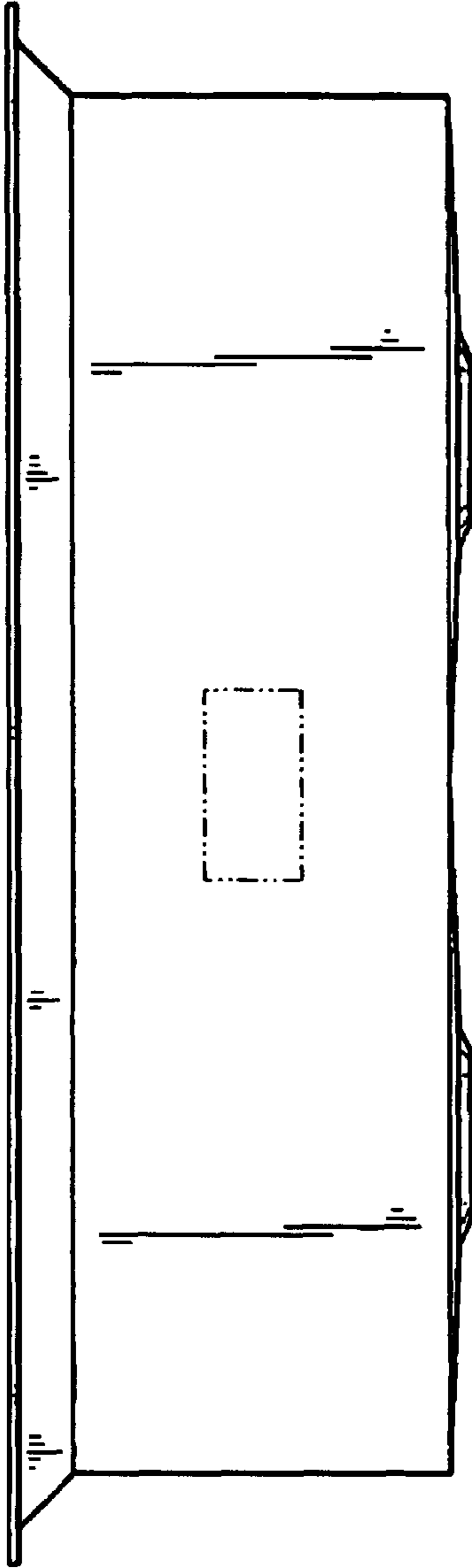


FIG. 9

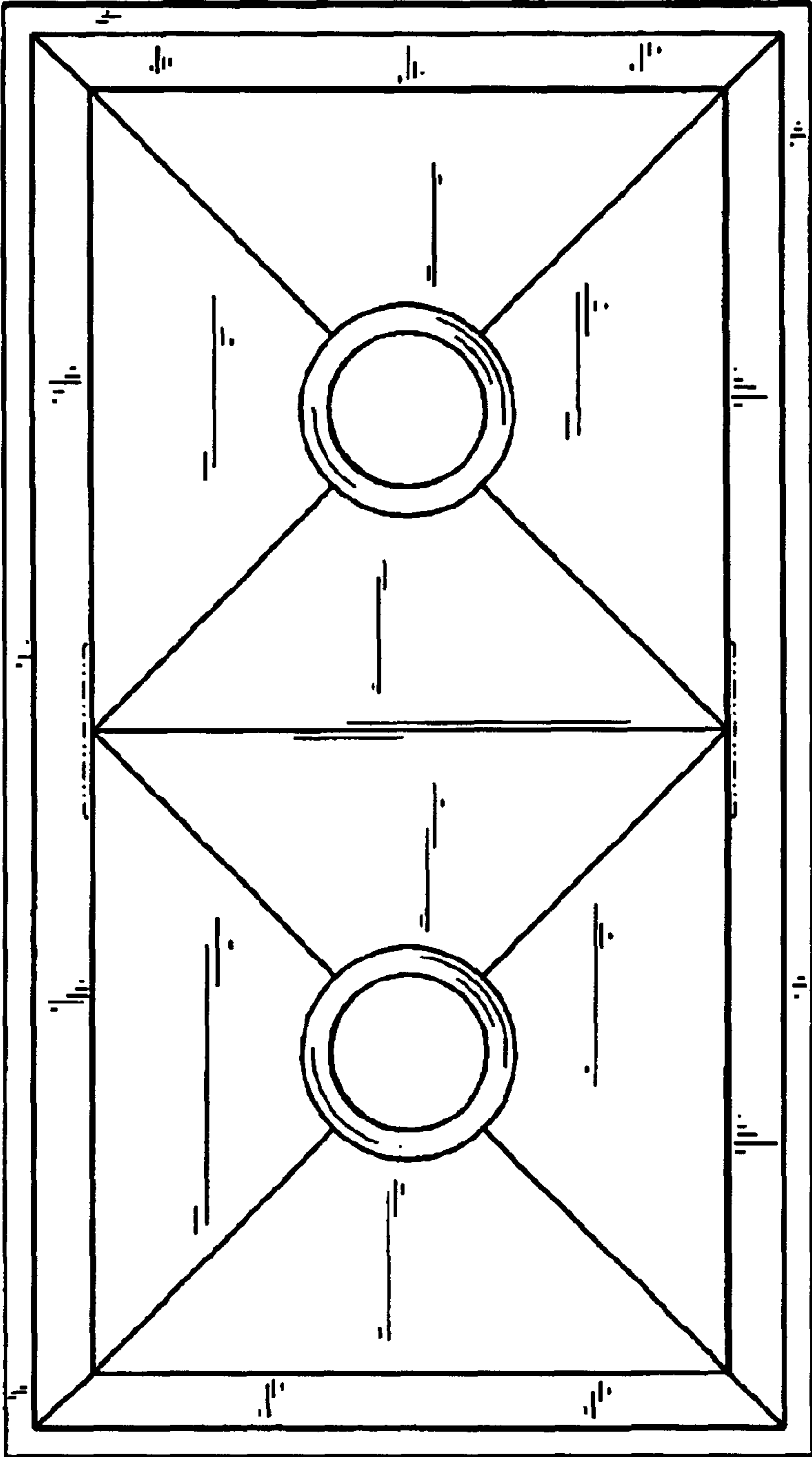


FIG. 10