

US00D498290S

(12) **United States Design Patent**
Egee

(10) **Patent No.:** **US D498,290 S**
(45) **Date of Patent:** **** Nov. 9, 2004**

(54) **LAVATORY FAUCET**

(75) **Inventor:** **Paul Egee**, Southbury, CT (US)

(73) **Assignee:** **American Standard International Inc.**, New York, NY (US)

(**) **Term:** **14 Years**

(21) **Appl. No.:** **29/179,199**

(22) **Filed:** **Apr. 4, 2003**

(51) **LOC (7) Cl.** **23-01**

(52) **U.S. Cl.** **D23/250**

(58) **Field of Search** D23/238-243,
D23/245, 250-257; D8/300-322, 350-353,
DIG. 3; 16/110.1; 4/675-678; 137/801

(56) **References Cited**

U.S. PATENT DOCUMENTS

D458,347 S	*	6/2002	Mullenmeister	D23/252
D463,533 S	*	9/2002	Ko	D23/242
D473,290 S	*	4/2003	Zhao	D23/252
D475,767 S	*	6/2003	Yegyayan et al.	D23/252

* cited by examiner

Primary Examiner—Louis S. Zarfes
Assistant Examiner—G. Andoll

(57) **CLAIM**

The ornamental design for a lavatory faucet, as shown and described.

DESCRIPTION

FIG. 1 is a perspective view illustrating a lavatory faucet connected to handle shown in phantom;
FIG. 2 is a top plan view;
FIG. 3 is a left side elevation view having a right side being a mirror image;
FIG. 4 is a front elevation view;
FIG. 5 is a rear elevation view;
FIG. 6 is a bottom plan view;
FIG. 7 is a perspective view illustrating a lavatory faucet connected to an alternative handle shown in phantom;
FIG. 8 is a top plan view of the lavatory faucet of FIG. 7;
FIG. 9 is a left side elevation view of the lavatory faucet of FIG. 7 having 3 other sides being mirror images; and,
FIG. 10 is a bottom plan view of the lavatory faucet of FIG. 7.

The broken lines in the Figures are for illustrative purposes only and form no part of the claimed design.

1 Claim, 6 Drawing Sheets

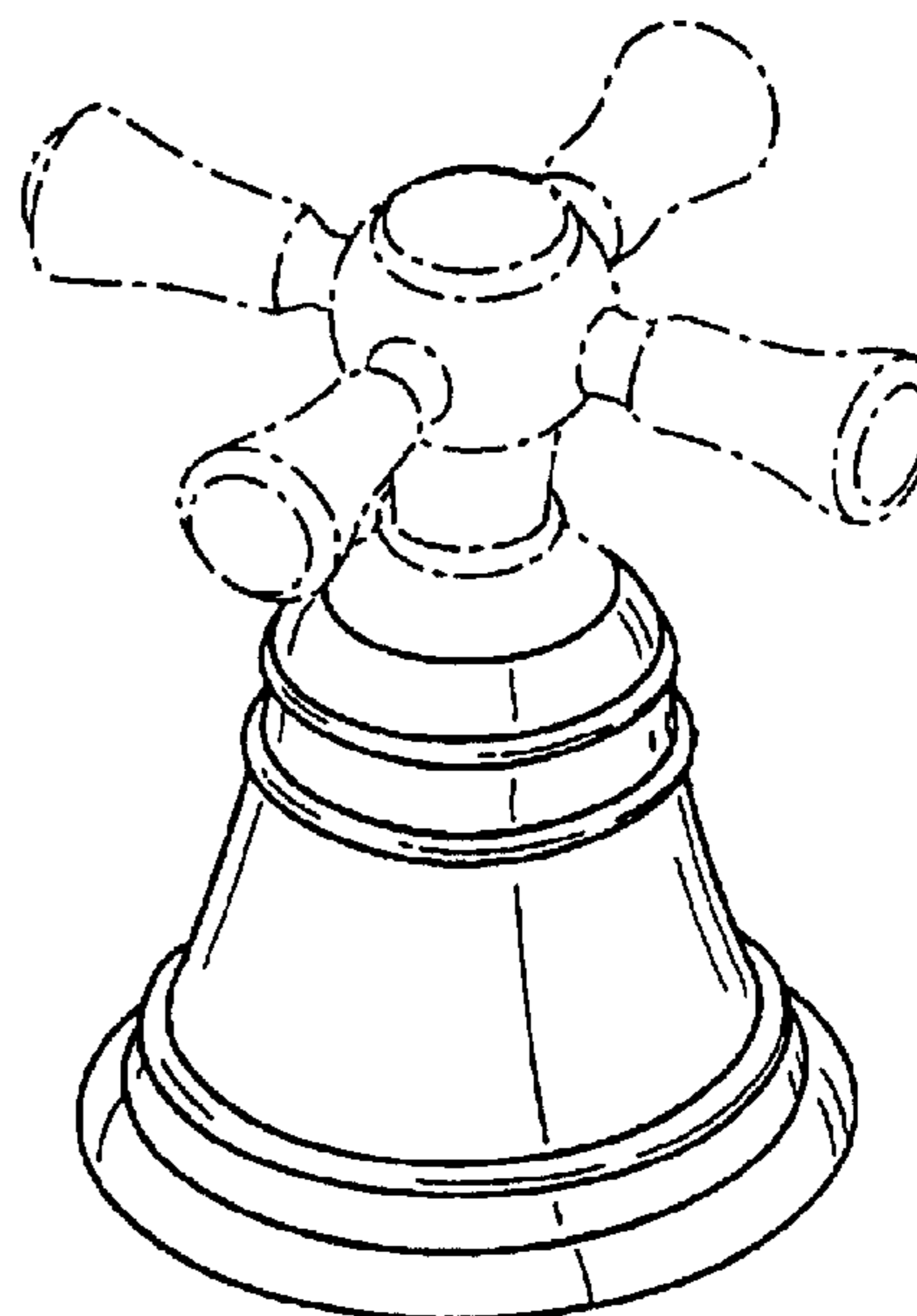
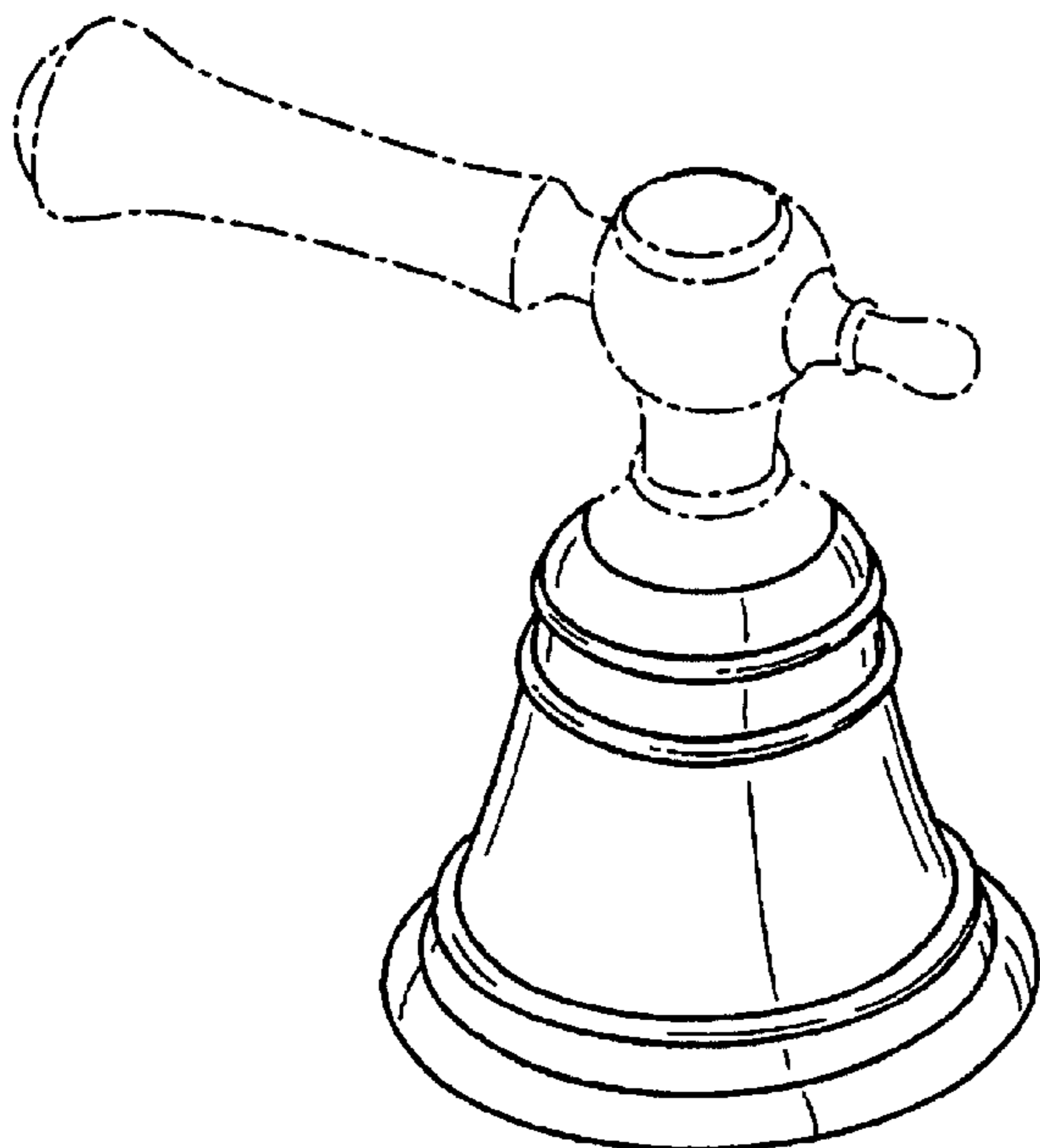


FIG. 1

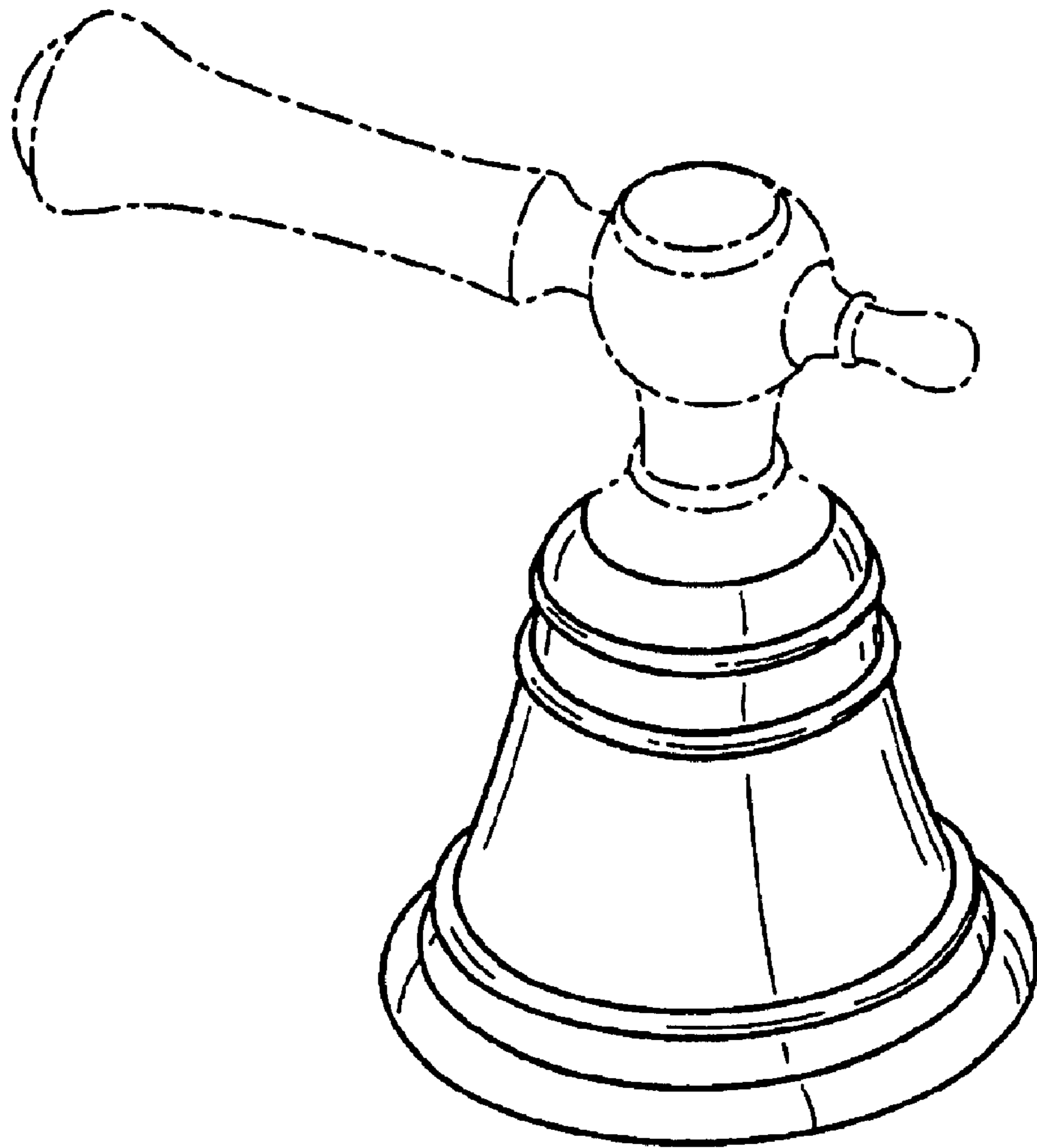


FIG. 2

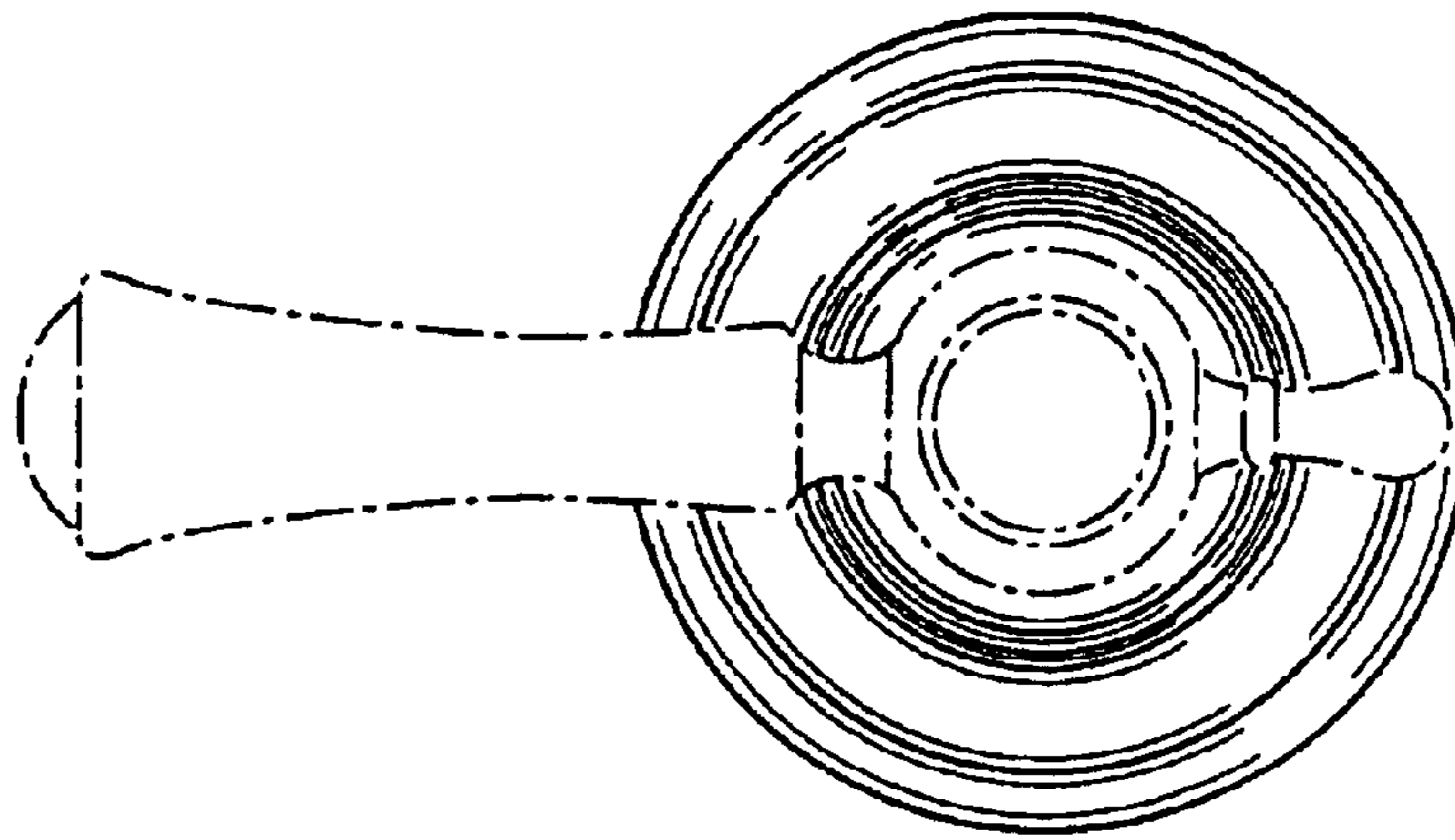


FIG. 3

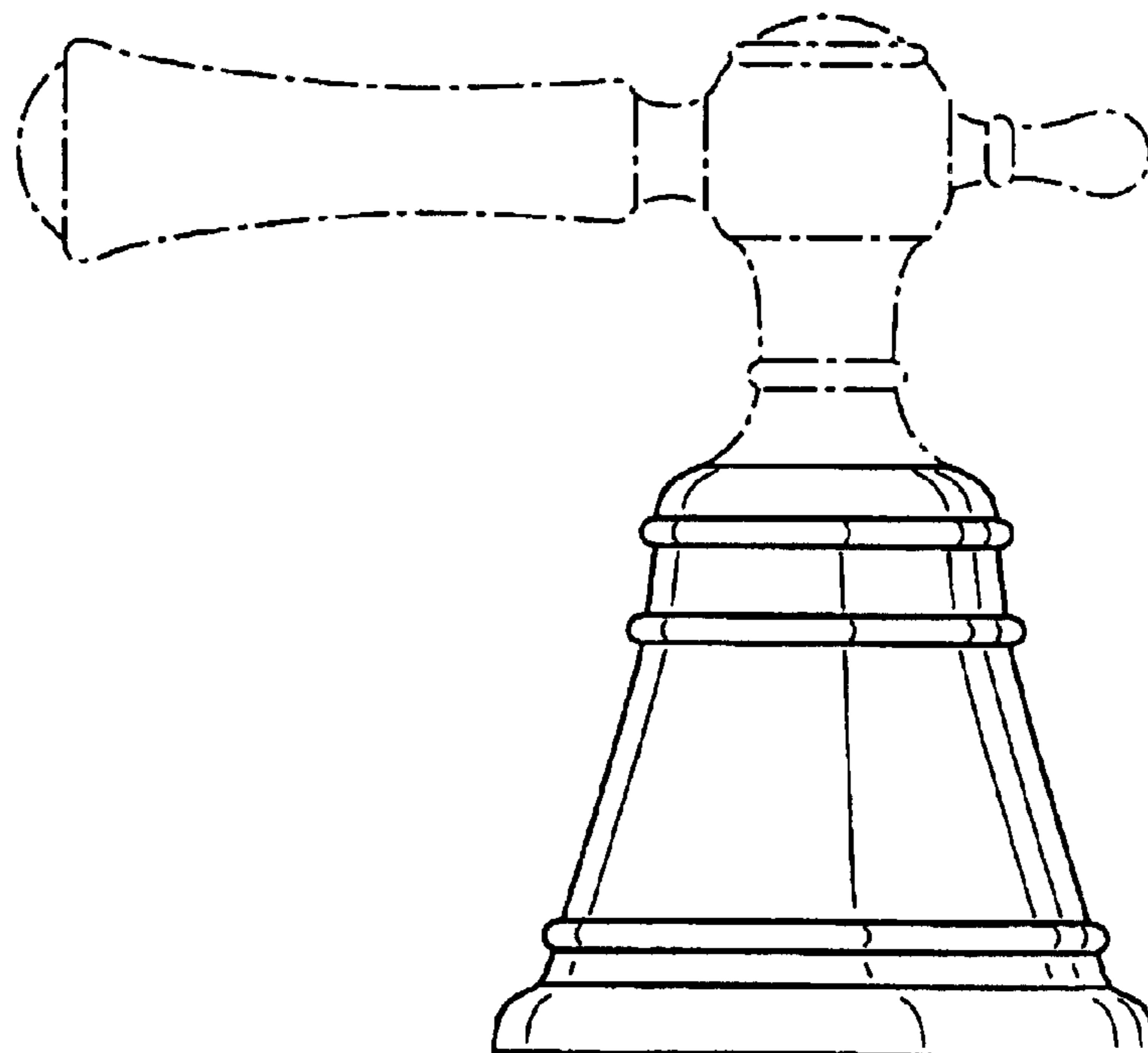


FIG. 4

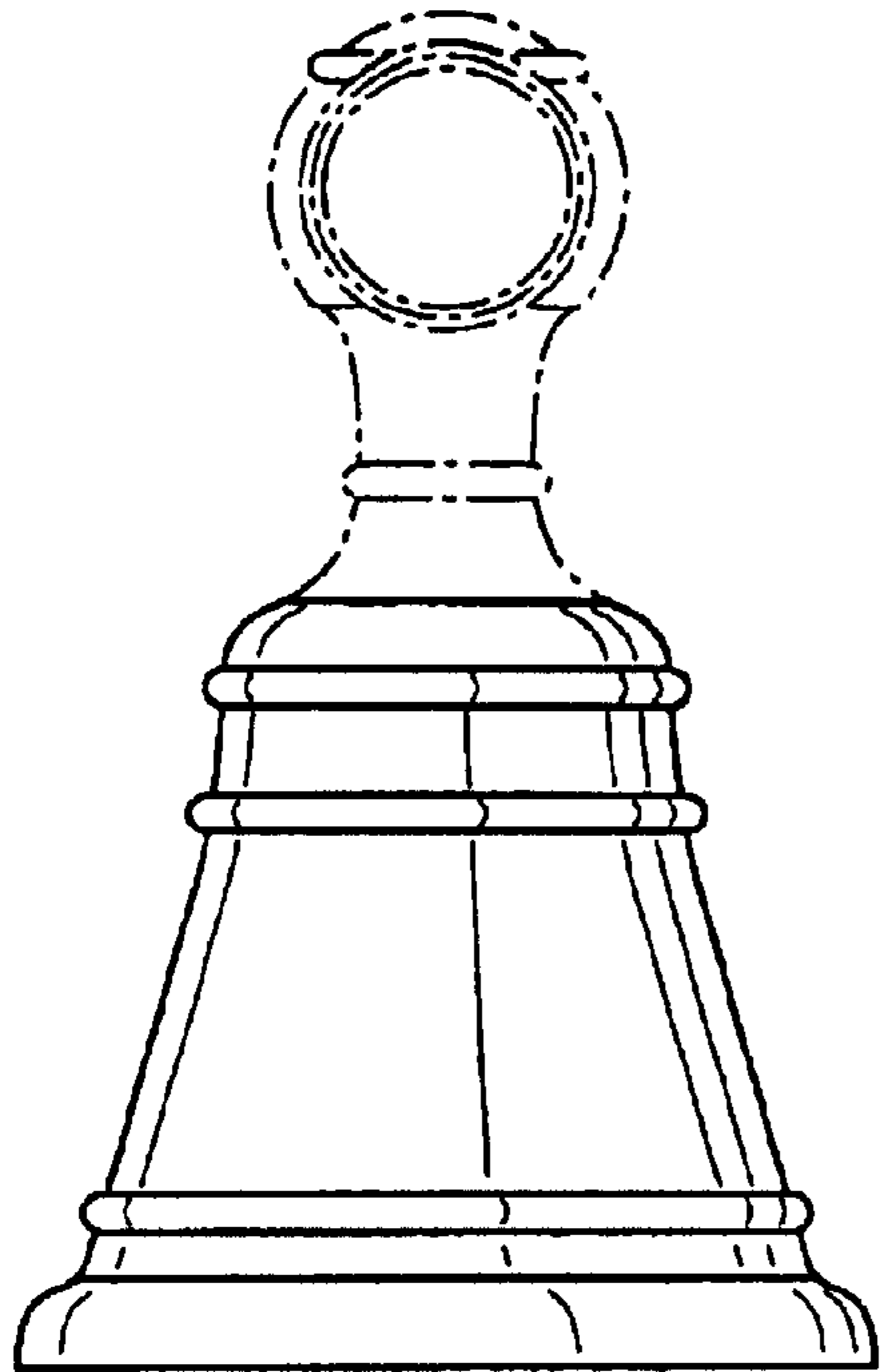


FIG. 5

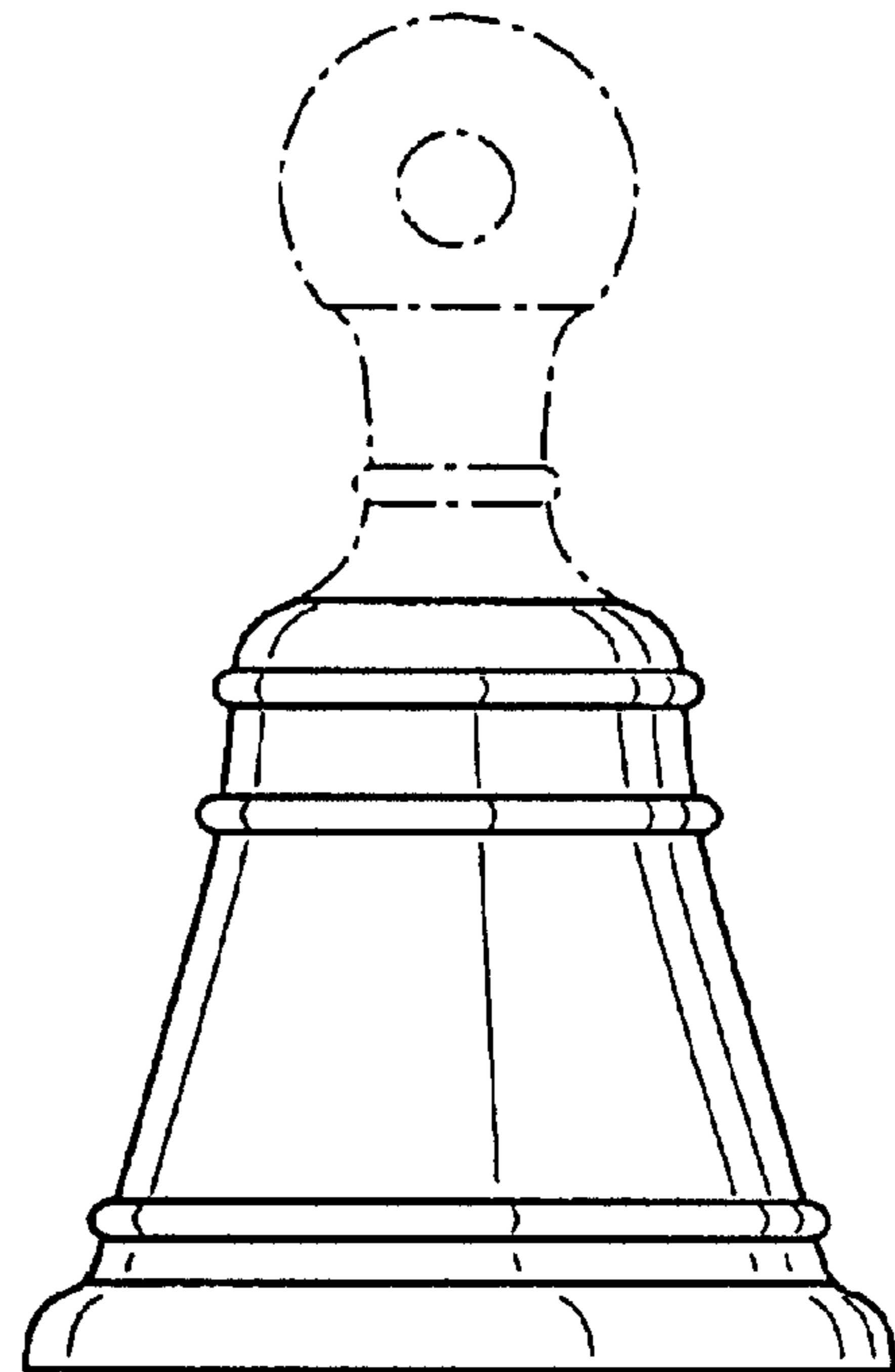


FIG. 6

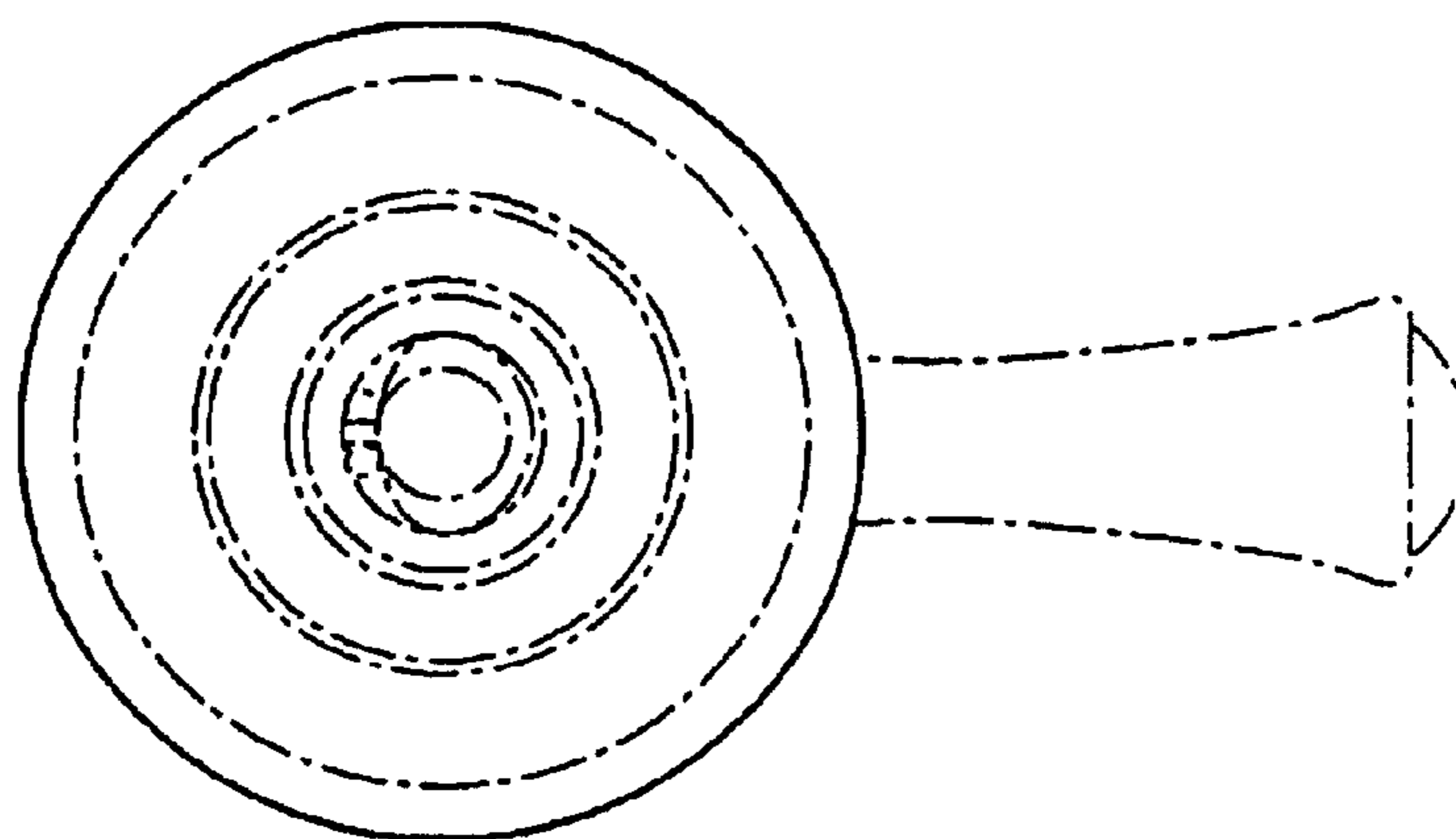


FIG. 7

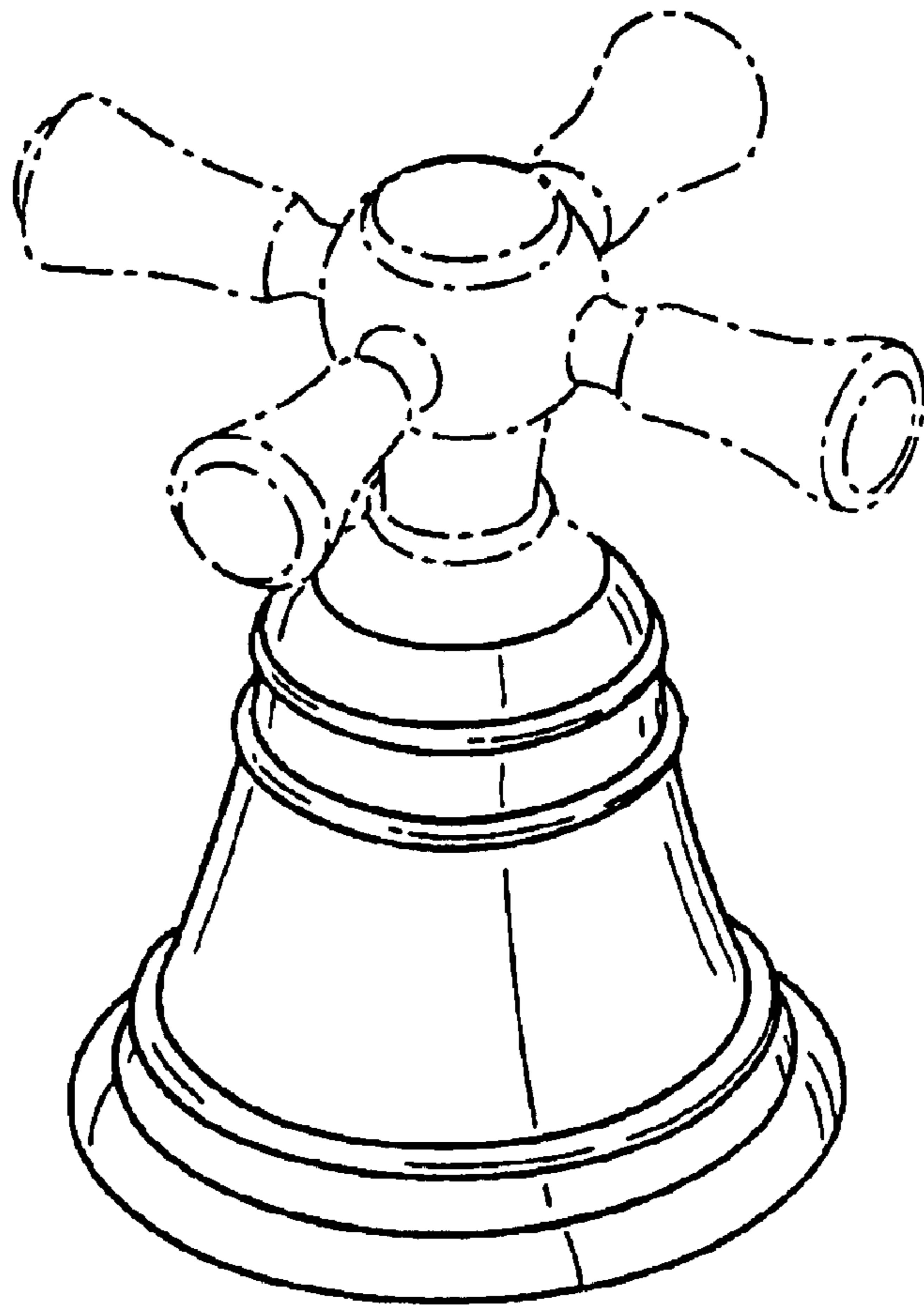


FIG. 8

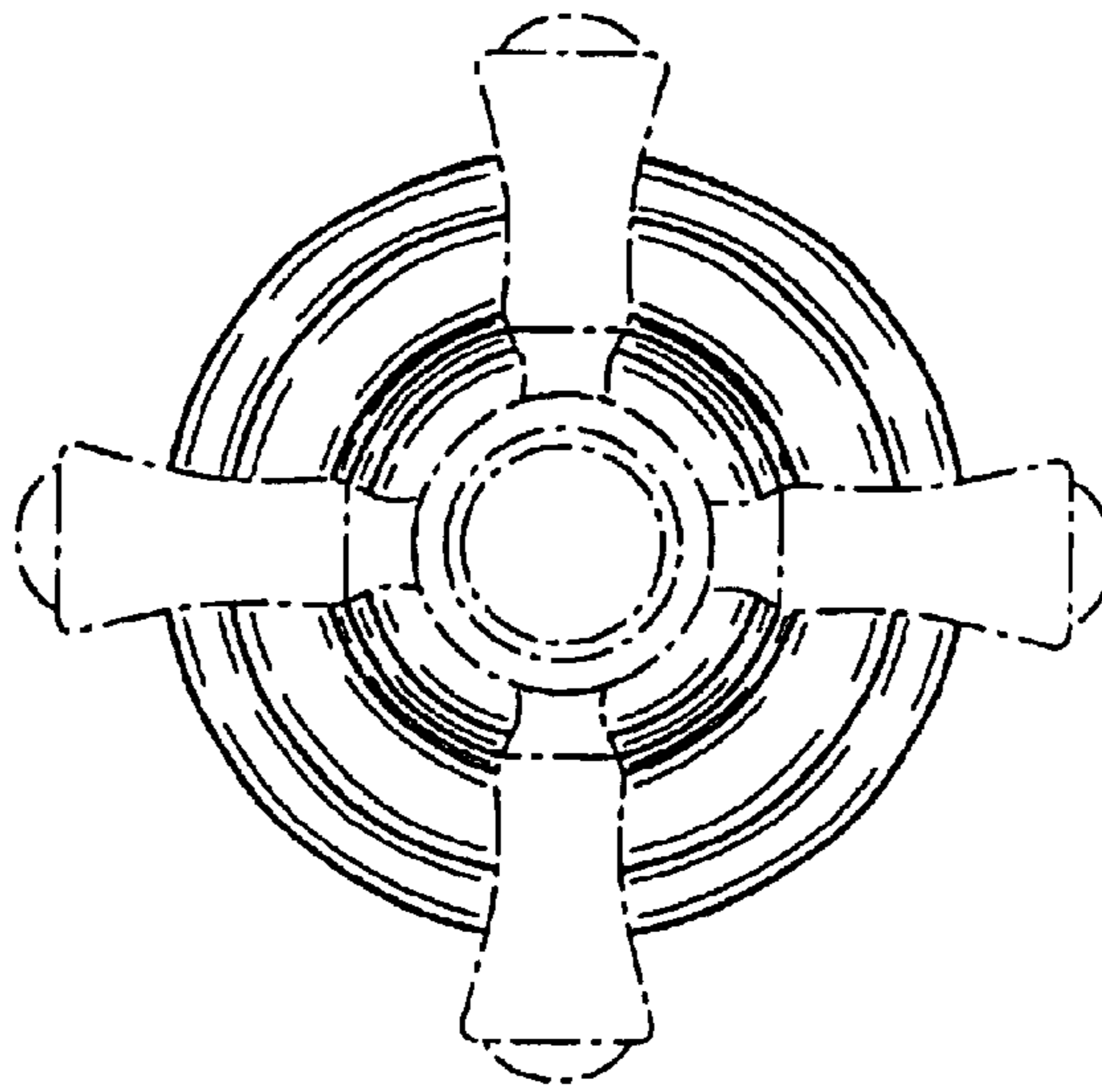


FIG. 9

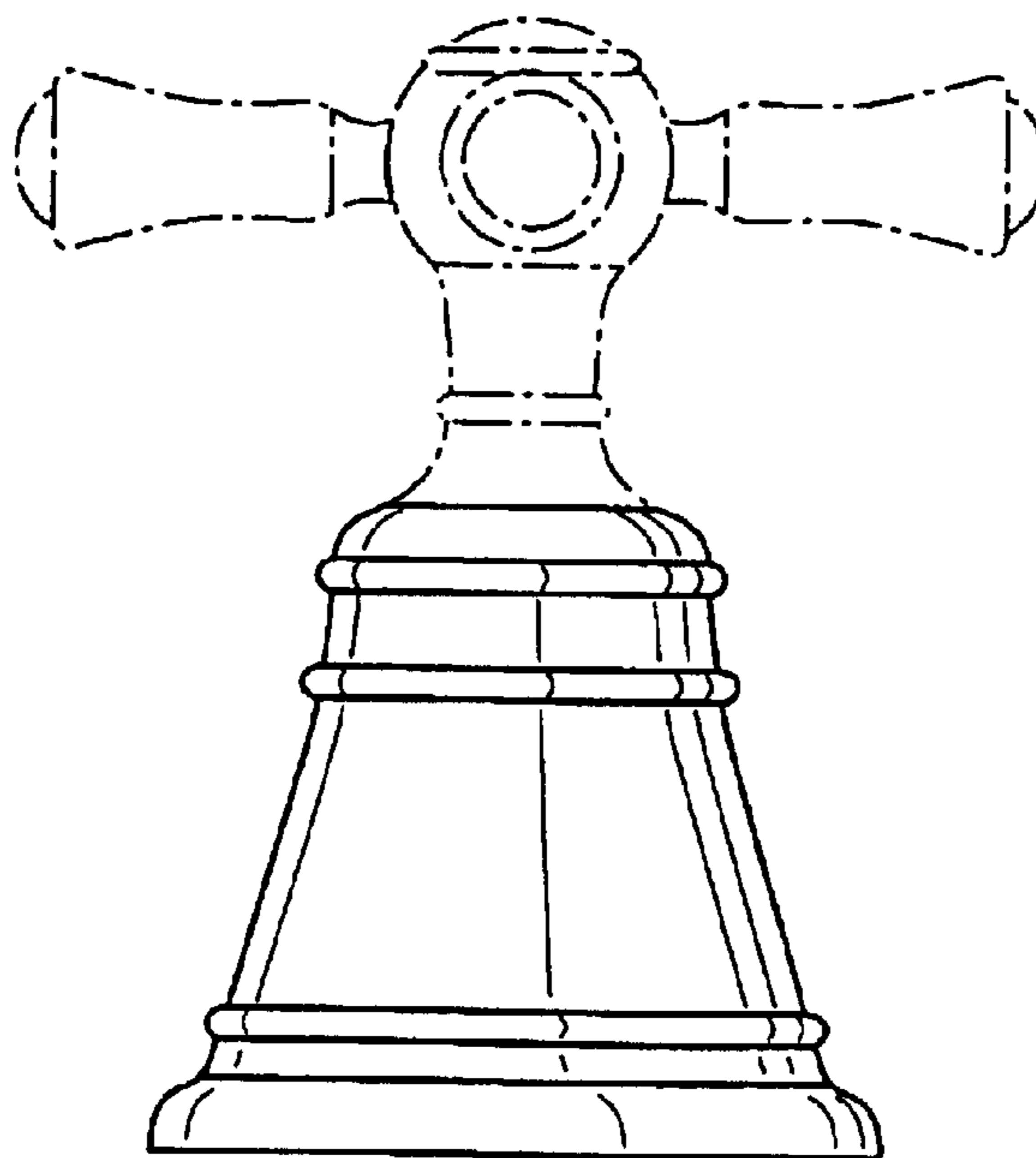


FIG. 10

