

US00D498289S

(12) **United States Design Patent**
Chen

(10) **Patent No.:** **US D498,289 S**
(45) **Date of Patent:** **** Nov. 9, 2004**

(54) **WATER PISTOL FOR USE IN MOTOR CLEANING**

D470,569 S * 2/2003 Chen D23/225

* cited by examiner

(76) **Inventor:** **Chin-Yuan Chen**, No. 75, Liao Tsuoh Lane, Liao Tsuoh Li, Lu-Kang Chen, Chang-Hua Hsien (TW)

Primary Examiner—Robin V. Taylor
(74) *Attorney, Agent, or Firm*—Charles E. Baxley

(**) **Term:** **14 Years**

(57) **CLAIM**

I claim the ornamental design for a water pistol for use in motor cleaning, as shown and described.

(21) **Appl. No.:** **29/192,905**

DESCRIPTION

(22) **Filed:** **Oct. 31, 2003**

(51) **LOC (7) Cl.** **23-01**

FIG. 1 is an upper perspective view of the water pistol for use in motor cleaning showing my design.

(52) **U.S. Cl.** **D23/225**

FIG. 2 is a front view thereof;

(58) **Field of Search** D23/213, 223, D23/225, 226; 239/302, 308, 310, 525

FIG. 3 is a back view thereof;

FIG. 4 is a side view thereof;

FIG. 5 is an opposite side view thereof;

FIG. 6 is a top view thereof; and,

FIG. 7 is a bottom view thereof.

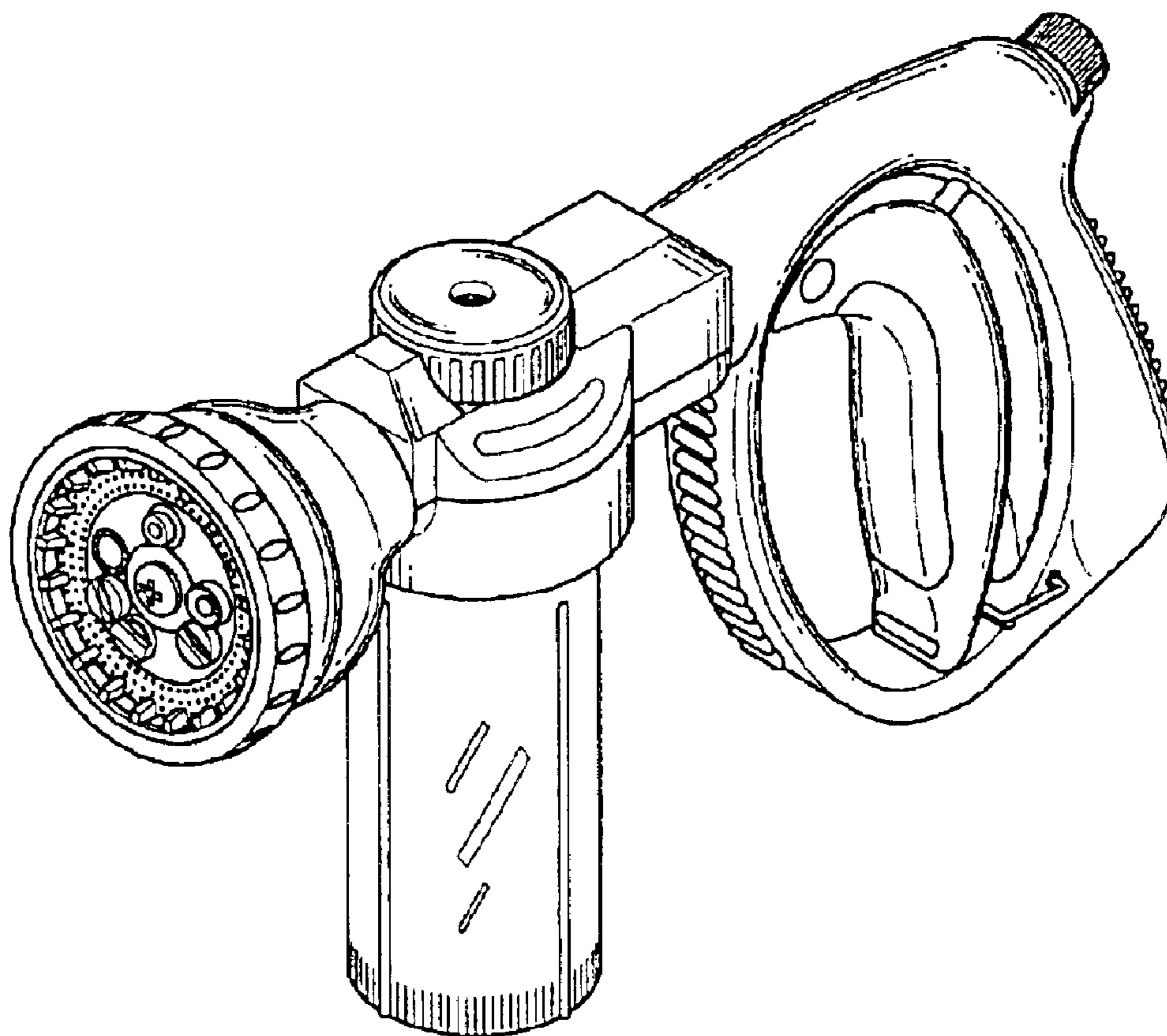
(56) **References Cited**

U.S. PATENT DOCUMENTS

D459,438 S * 6/2002 Knowles D23/225

D461,226 S * 8/2002 Hunter D23/225

1 Claim, 5 Drawing Sheets



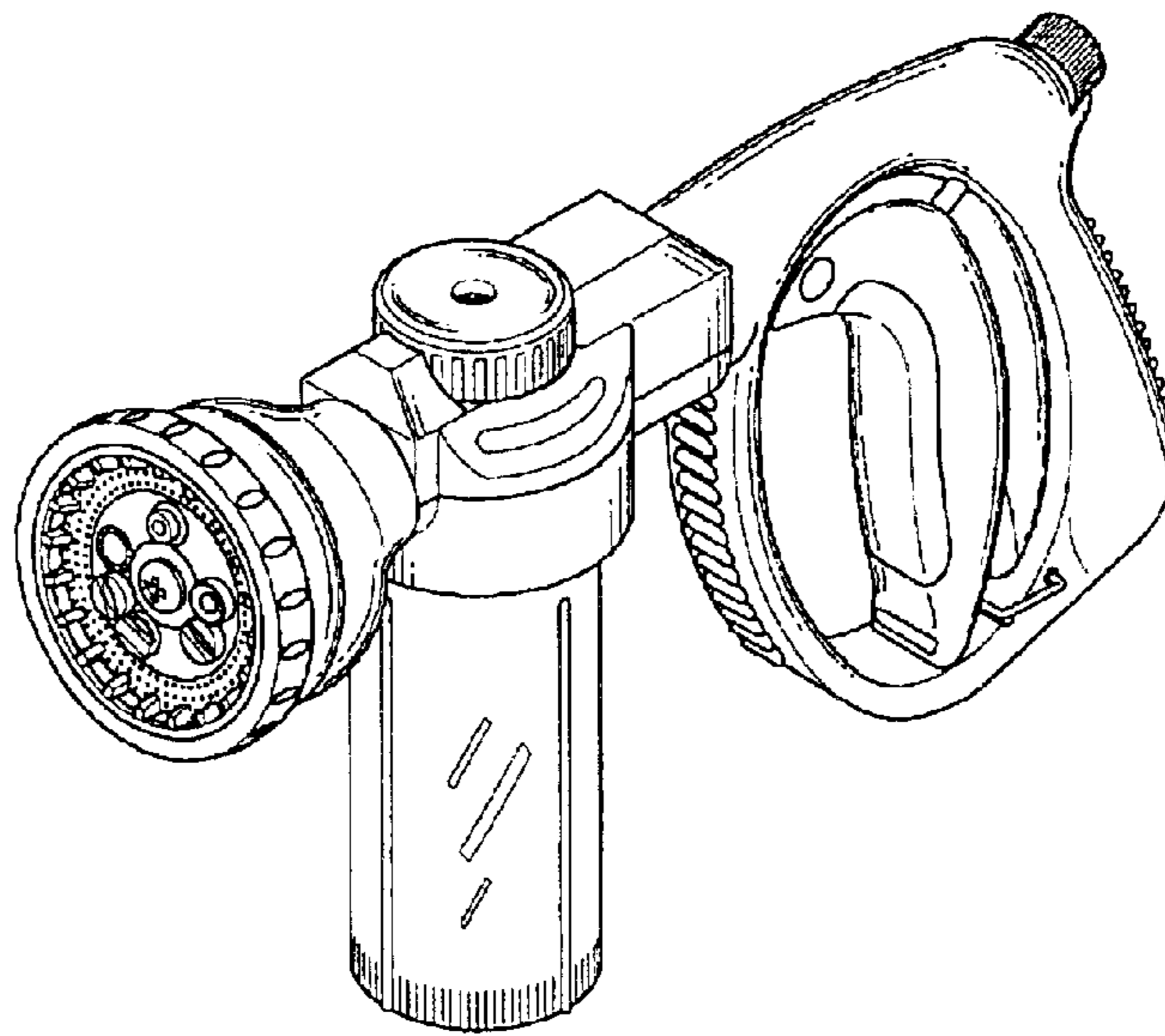


FIG.1

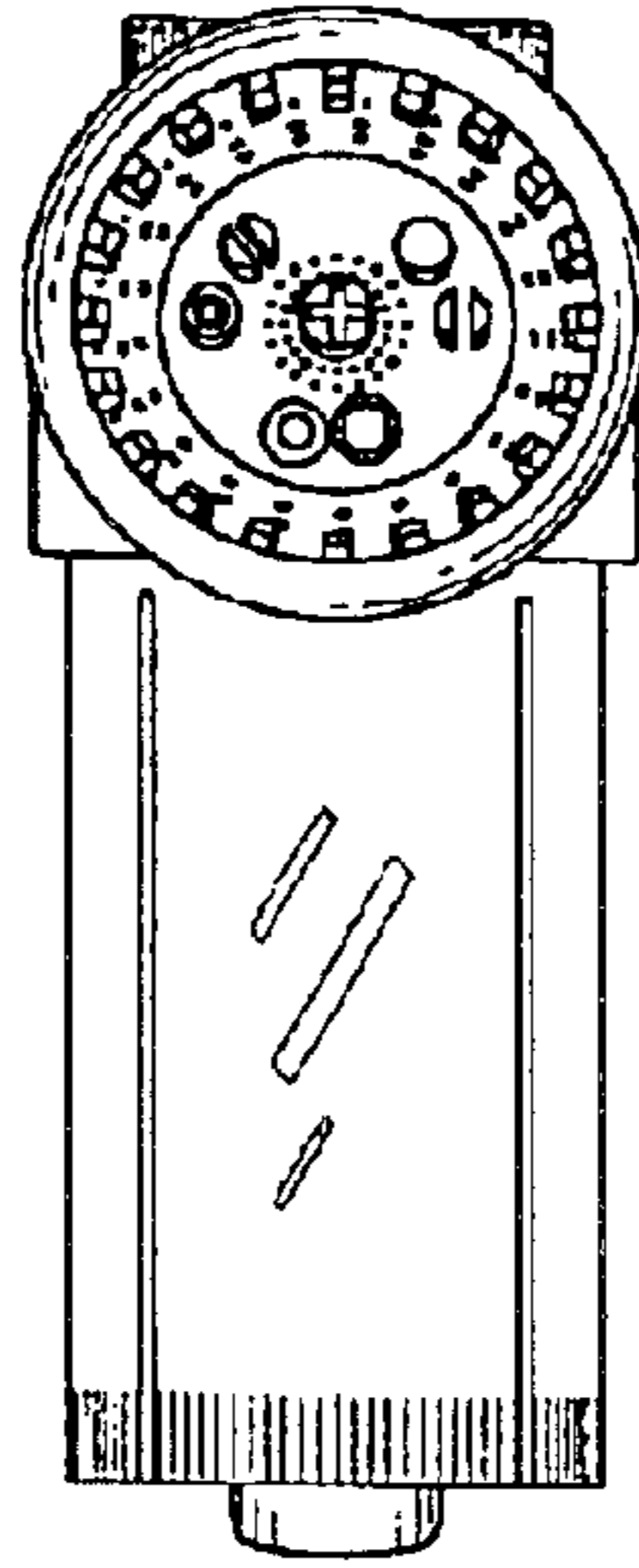


FIG. 2

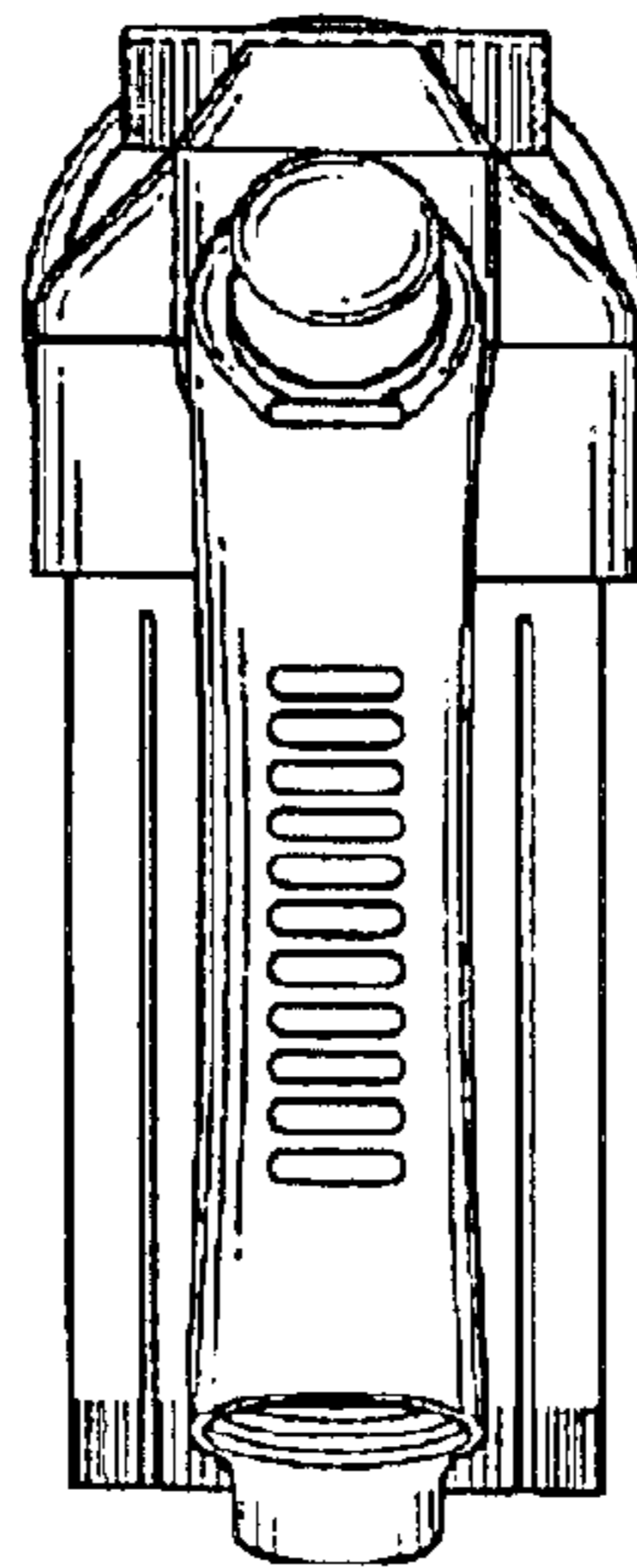


FIG. 3

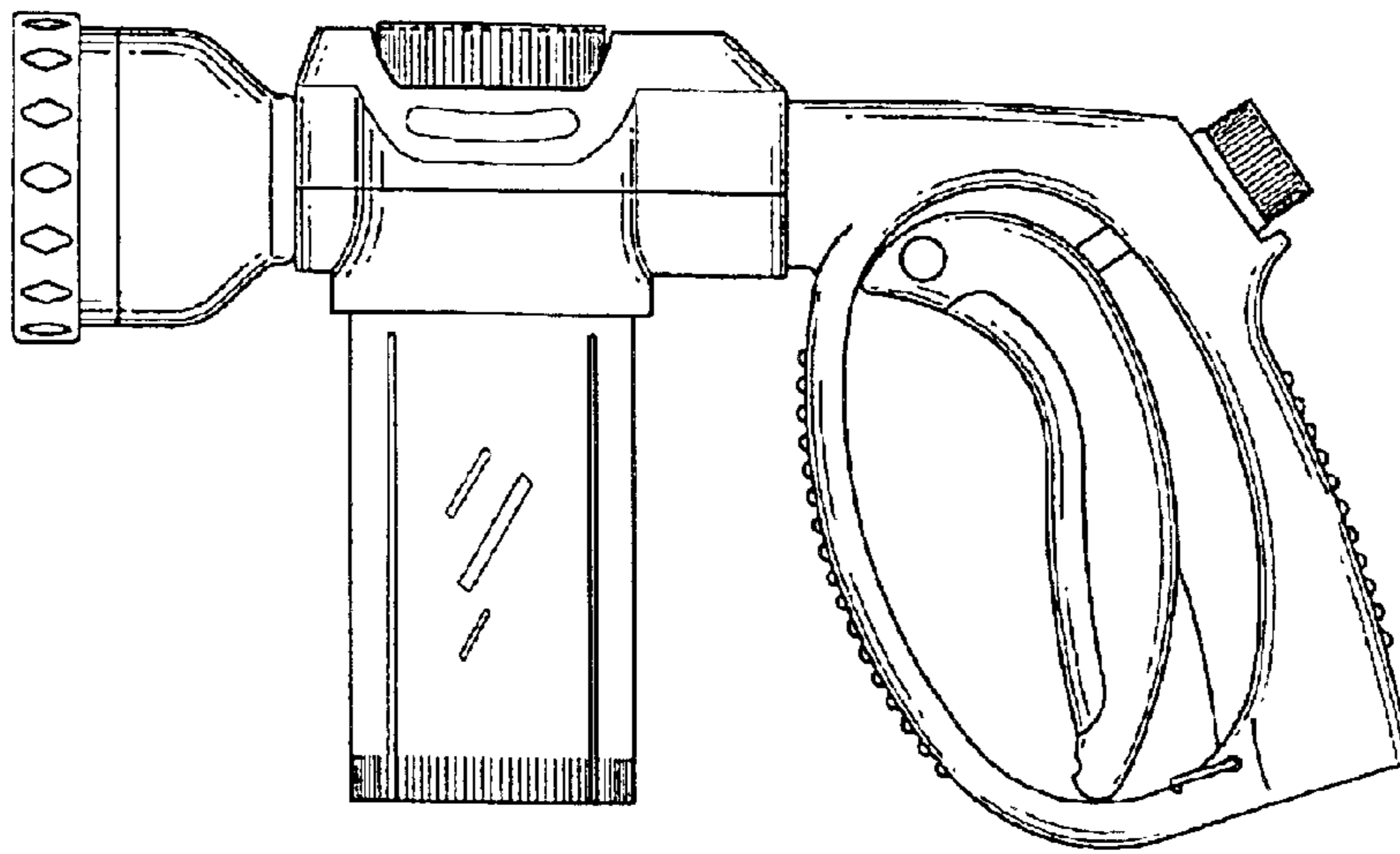


FIG. 4

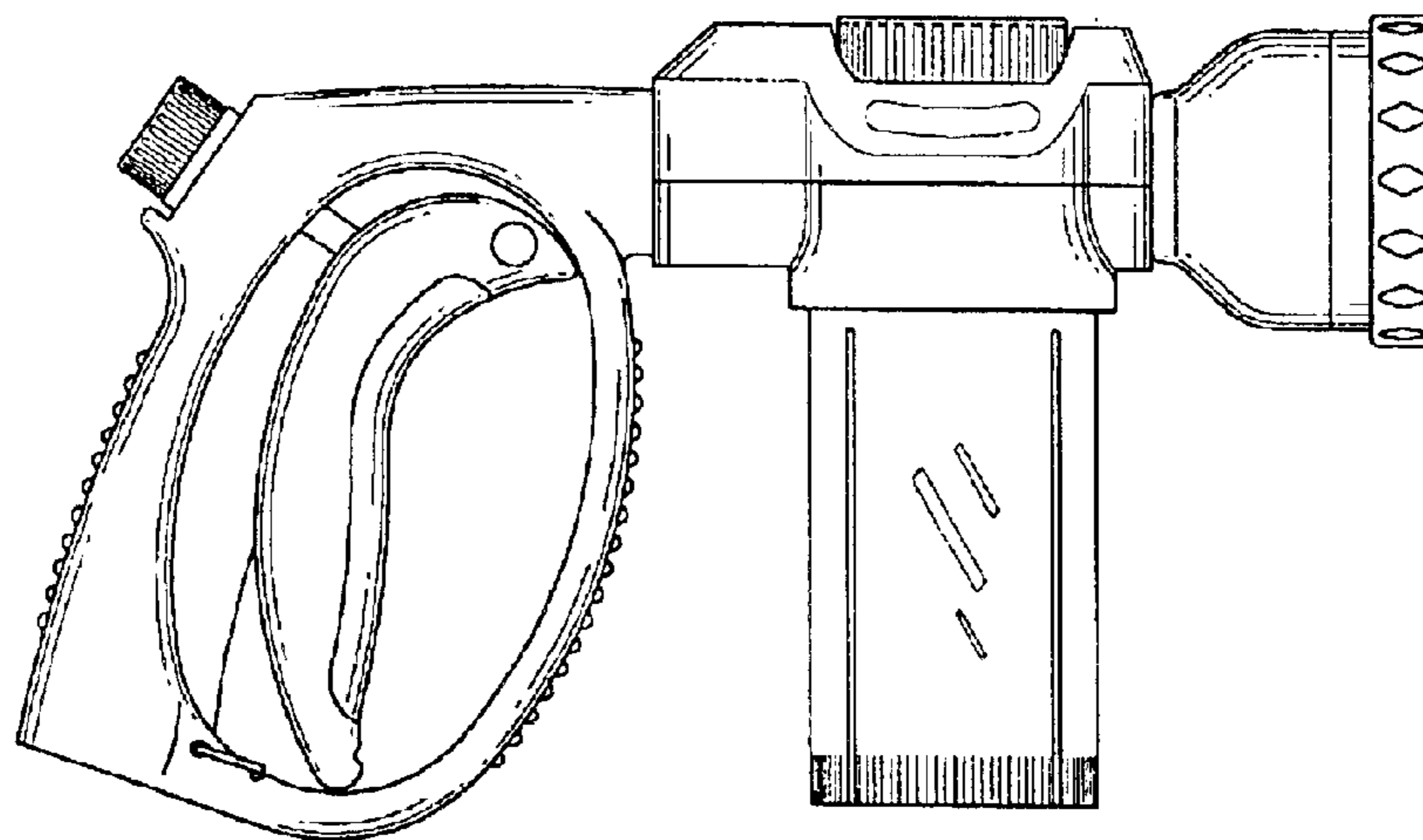


FIG. 5

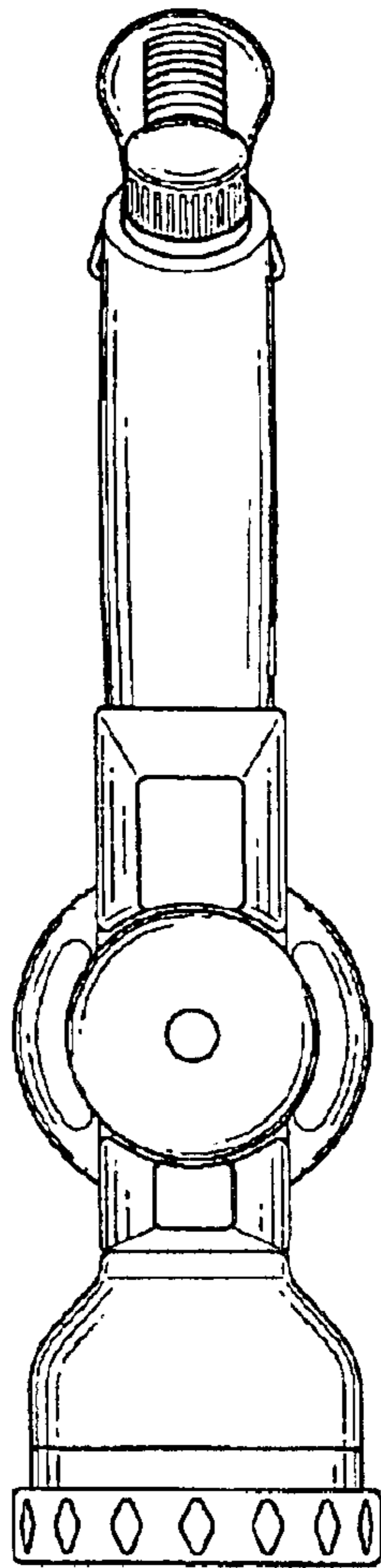


FIG.6

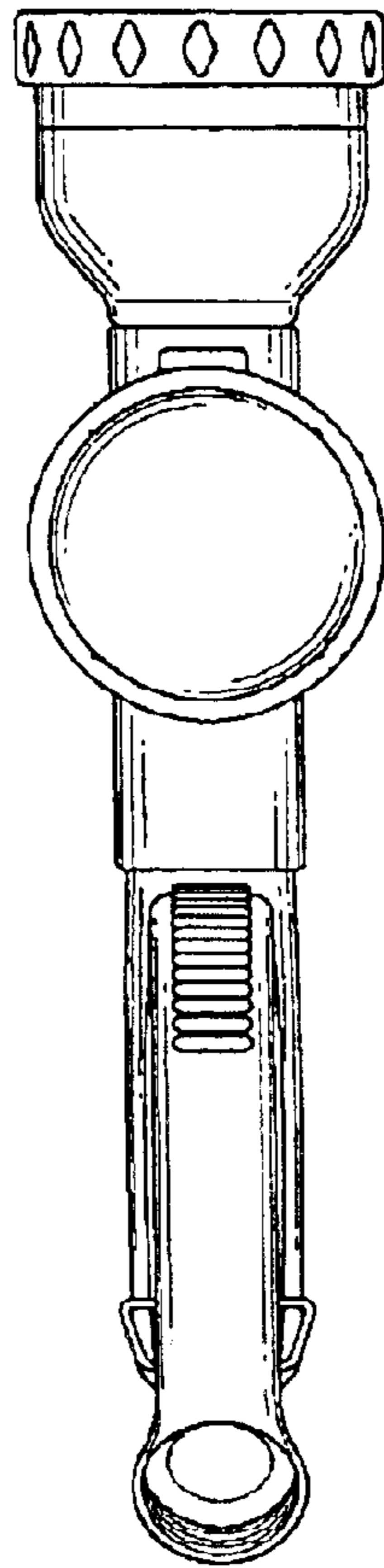


FIG. 7