

US00D498284S

(12) **United States Design Patent**
Kelsoe

(10) **Patent No.:** **US D498,284 S**
(45) **Date of Patent:** **** Nov. 9, 2004**

(54) **BOW SIGHT PROTECTING COVER**

(76) **Inventor:** **Clifton W. Kelsoe**, 1338 Alabama Hwy.
157, Danville, AL (US) 35619

(**) **Term:** **14 Years**

(21) **Appl. No.:** **29/189,850**

(22) **Filed:** **Sep. 11, 2003**

Related U.S. Application Data

(63) Continuation of application No. 29/159,913, filed on Apr. 30, 2002, now Pat. No. Des. 485,594.

(51) **LOC (7) Cl.** **22-01**

(52) **U.S. Cl.** **D22/107**

(58) **Field of Search** D22/100, 107,
D22/199; D28/78; 33/265; 206/315, 111;
150/154; 124/25.5, 86, 87

(56) **References Cited**

U.S. PATENT DOCUMENTS

D270,578 S * 9/1983 Washington, Jr. D28/78
4,785,791 A 11/1988 Sloop
4,984,372 A * 1/1991 Blizzard 33/265

5,253,423 A * 10/1993 Sullivan. et al. 33/265
5,653,217 A * 8/1997 Keller 124/87
5,749,352 A 5/1998 McFarlin
6,453,898 B1 * 9/2002 Altmann et al. 124/87

* cited by examiner

Primary Examiner—Louis S. Zarfaz

Assistant Examiner—Monica A Weingart

(74) *Attorney, Agent, or Firm*—Lanier Ford Shaver & Payne P.C.

(57) **CLAIM**

The ornamental design for a bow sight protecting cover, as shown and described.

DESCRIPTION

FIG. 1 is a front perspective view of a bow sight protecting cover showing my new design.

FIG. 2 is a front elevation view thereof.

FIG. 3 is a rear elevation view thereof.

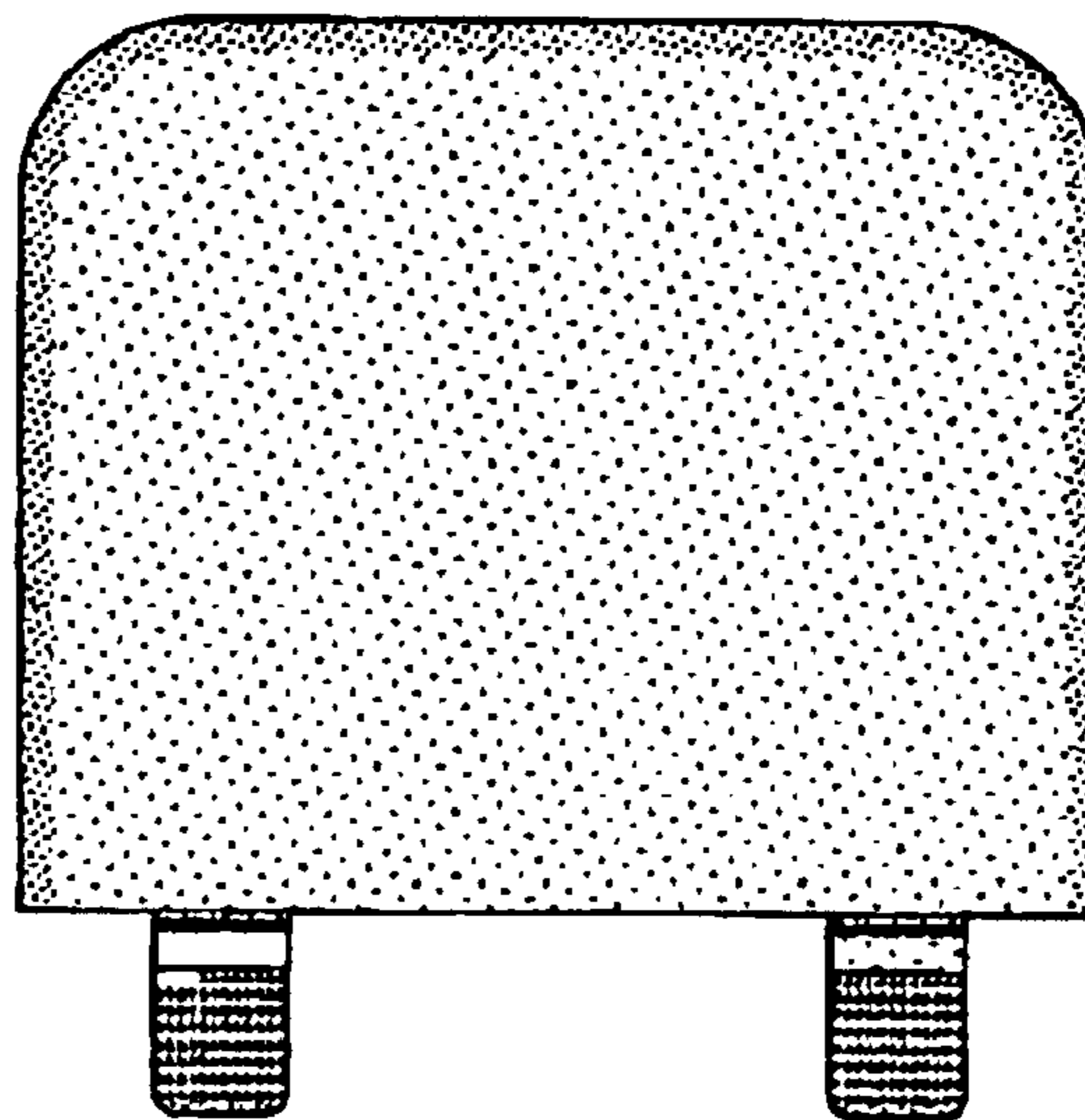
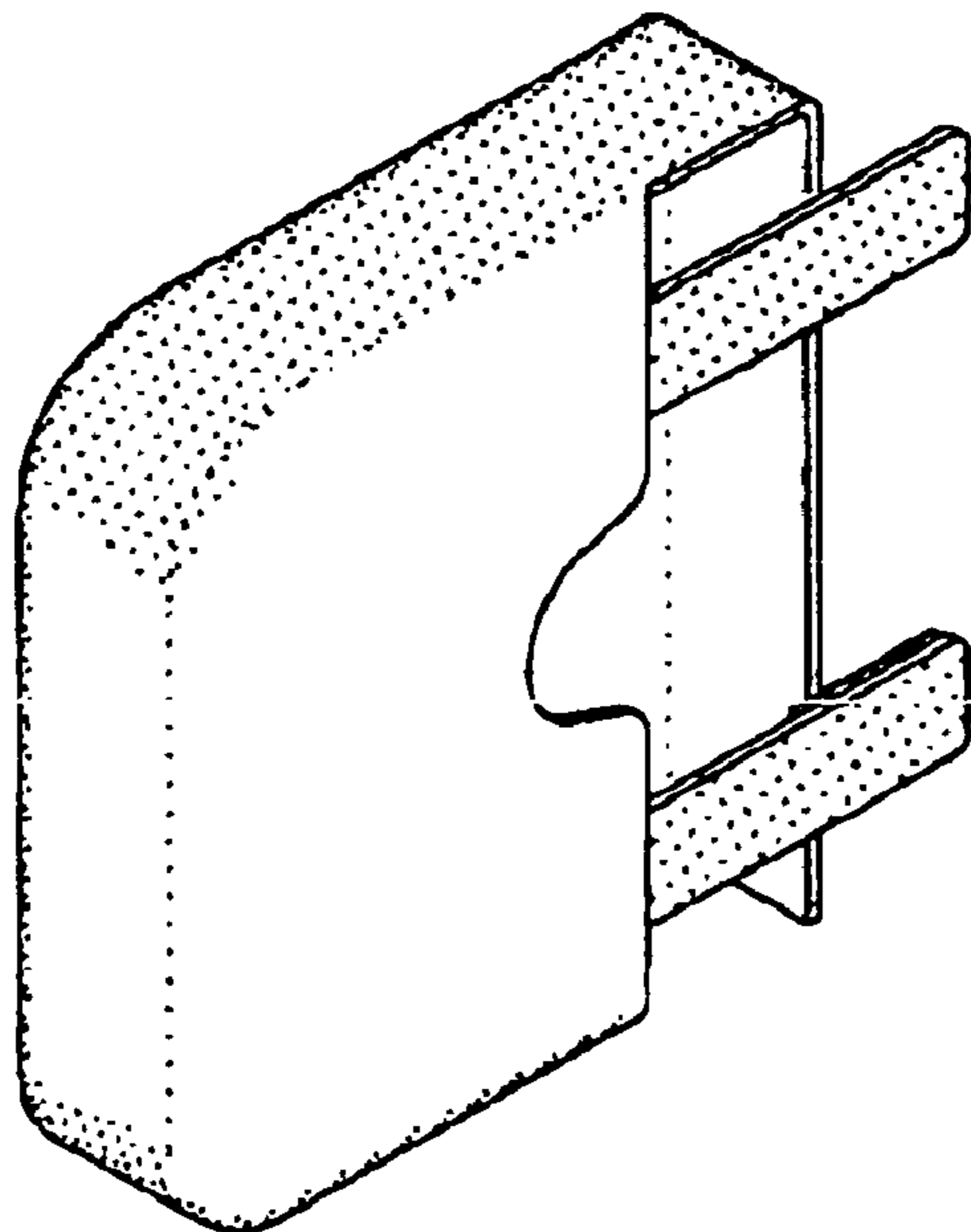
FIG. 4 is a left side elevation view thereof.

FIG. 5 is a right side elevation view thereof.

FIG. 6 is a top plan view thereof; and,

FIG. 7 is a bottom plan view thereof.

1 Claim, 1 Drawing Sheet



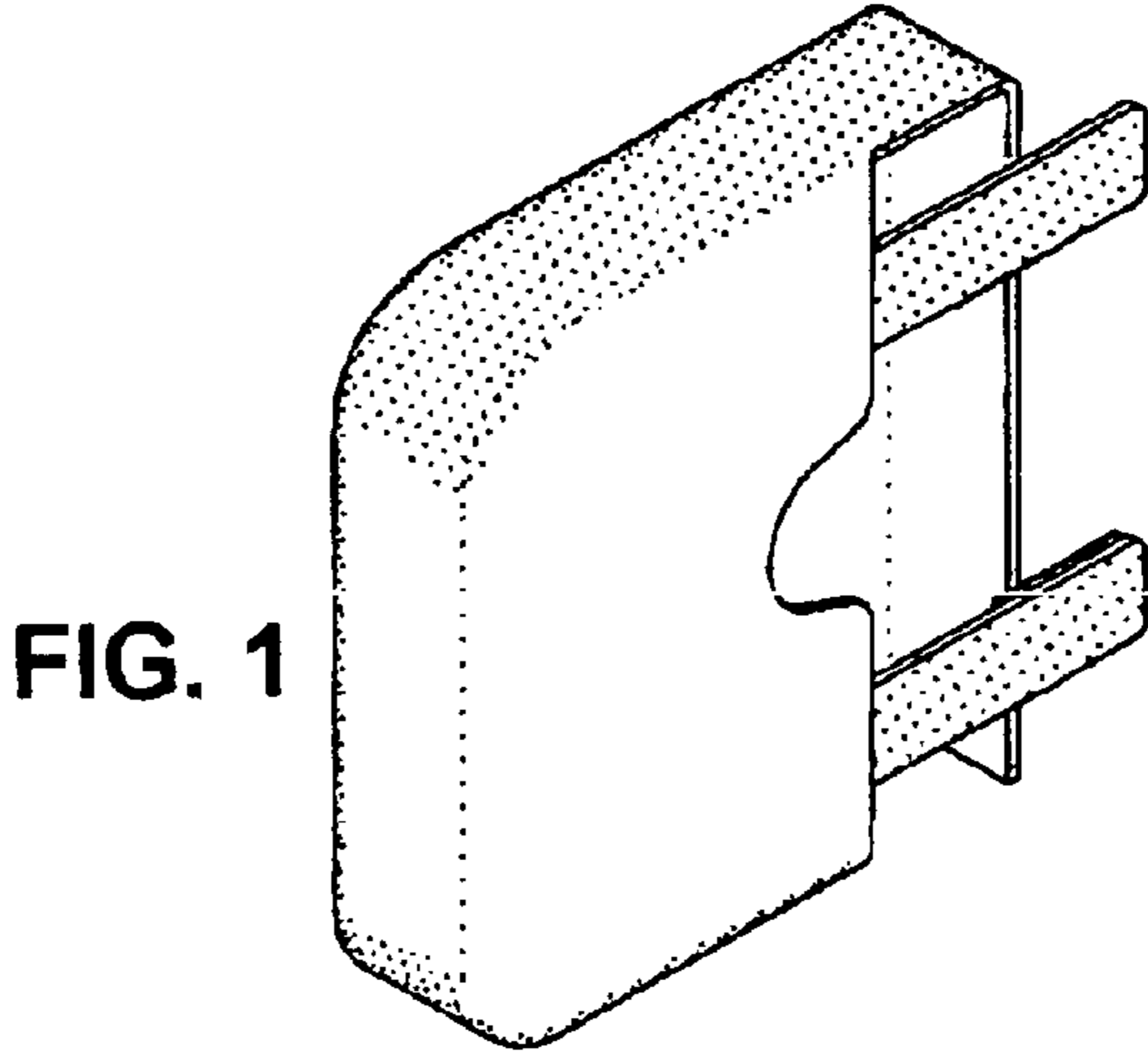


FIG. 1

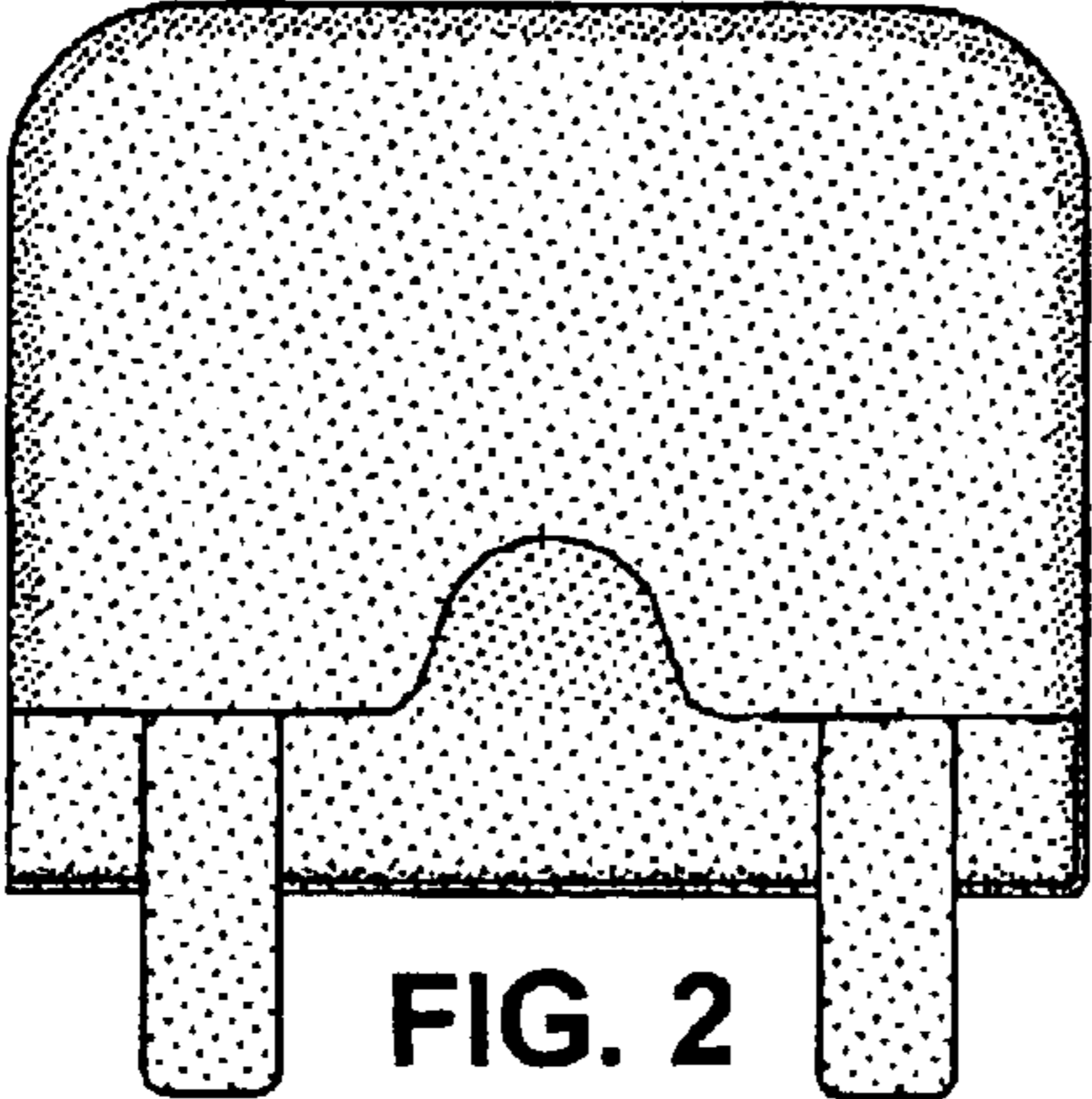


FIG. 2

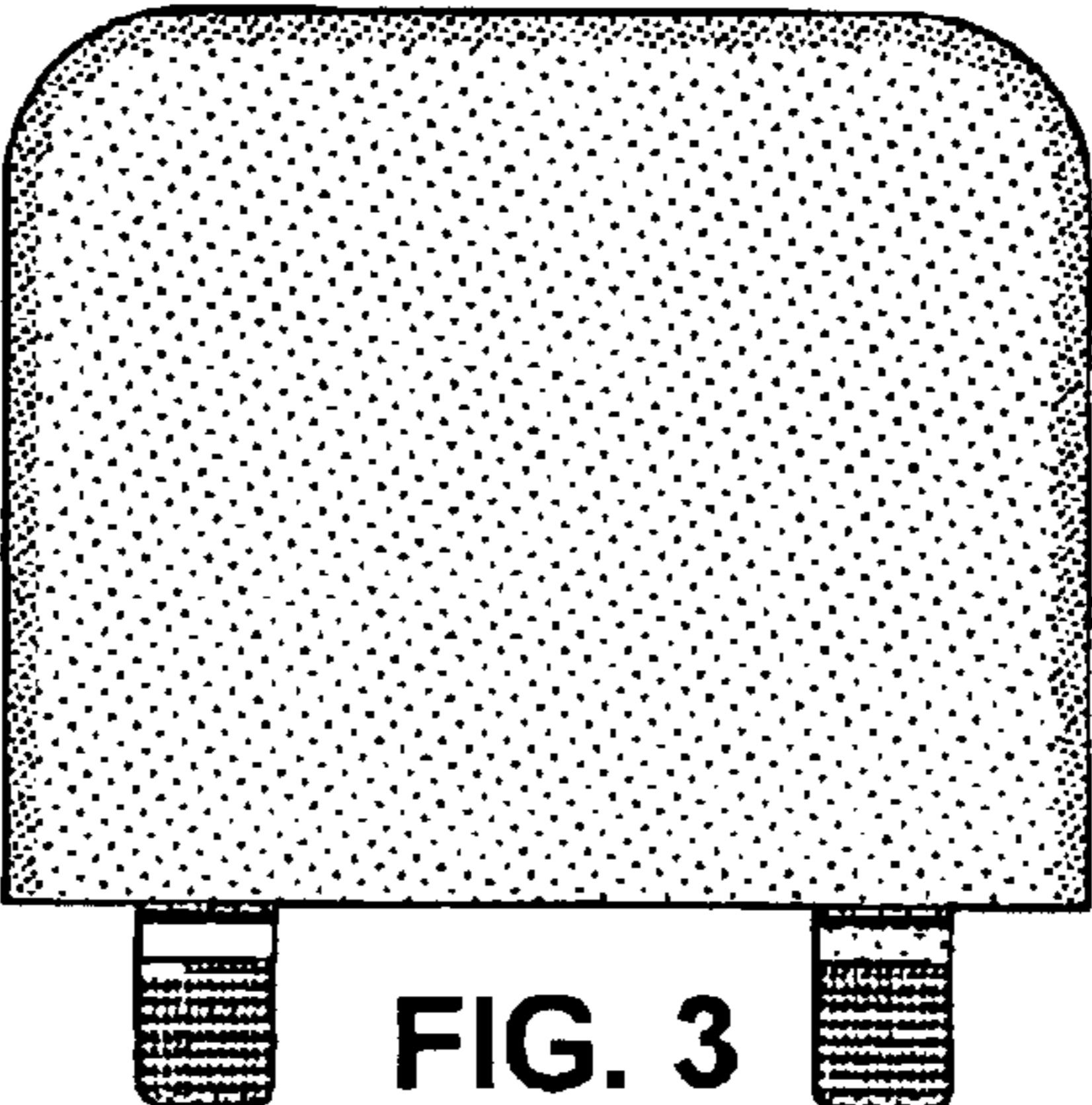


FIG. 3

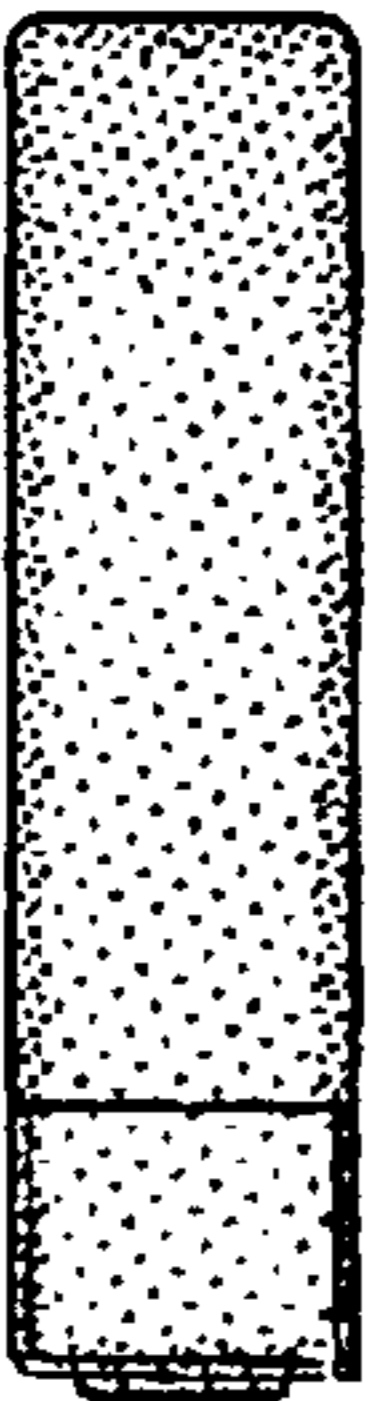


FIG. 4

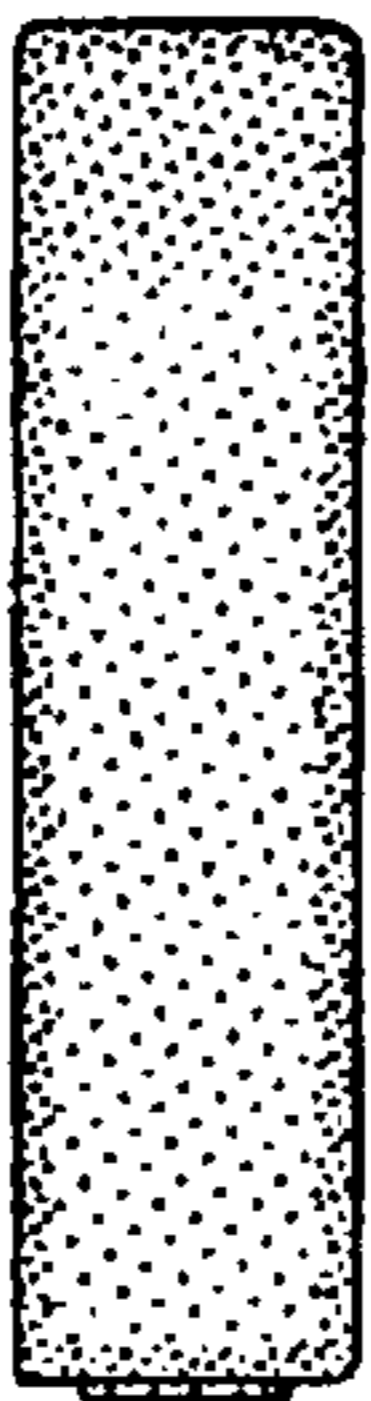


FIG. 5

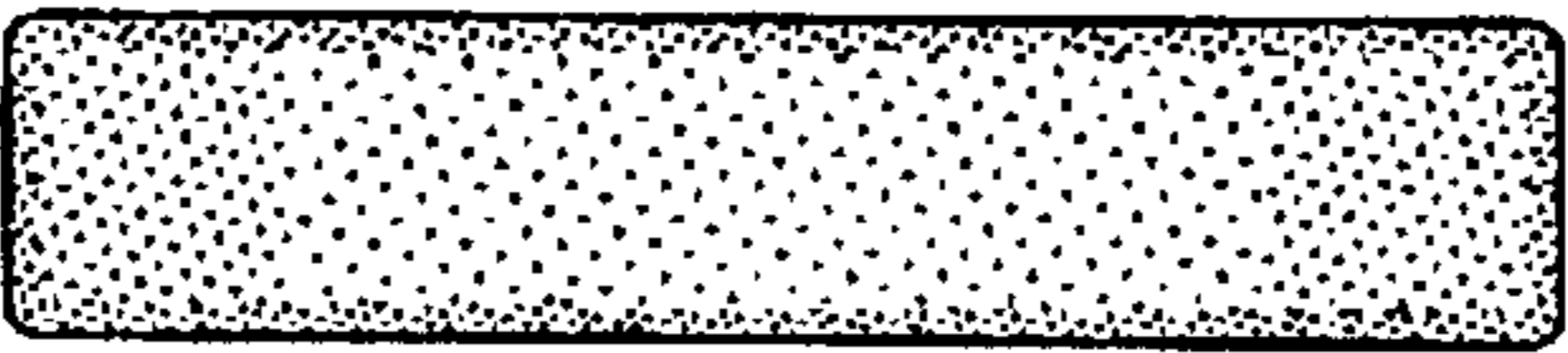


FIG. 6

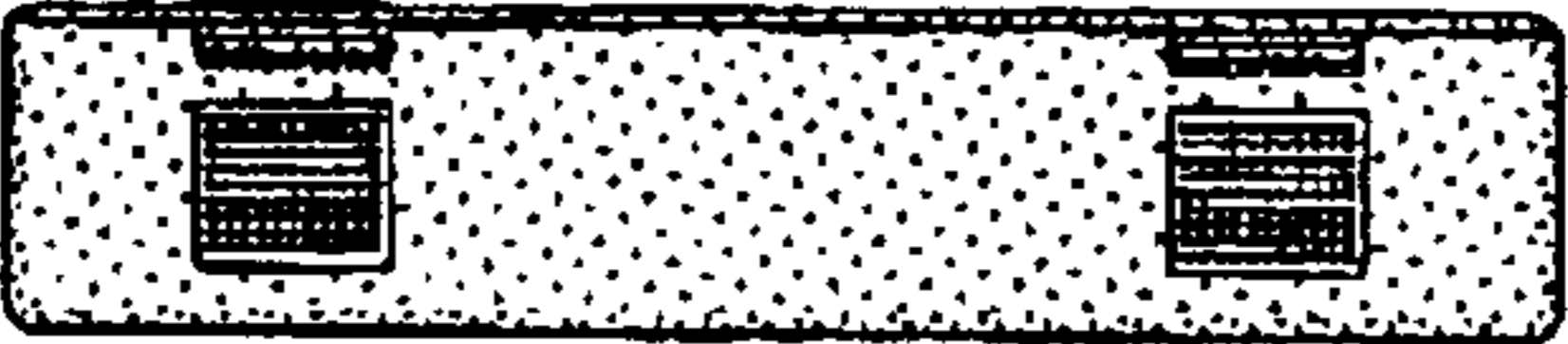


FIG. 7