

US00D498281S

(12) **United States Design Patent**
Peterson

(10) **Patent No.:** **US D498,281 S**

(45) **Date of Patent:** **** Nov. 9, 2004**

(54) **INFLATABLE TOWABLE VEHICLE**

6,247,984 B1 * 6/2001 Hatcher 441/66
D476,712 S * 7/2003 Peterson D21/803
6,648,707 B1 * 11/2003 Peterson 441/66

(75) **Inventor:** **LeRoy L. Peterson, Omaha, NE (US)**

(73) **Assignee:** **Sportsstuff, Inc., Omaha, NE (US)**

(**) **Term:** **14 Years**

(21) **Appl. No.:** **29/197,559**

(22) **Filed:** **Jan. 16, 2004**

(51) **LOC (7) Cl. 21-02**

(52) **U.S. Cl. D21/769; D21/803**

(58) **Field of Search D21/769, 770,**
D21/803, 810, 809, 801; D12/316; 441/35,
40-44, 65, 66, 129-132; 114/345, 346,
253; 472/128, 129

(56) **References Cited**

U.S. PATENT DOCUMENTS

D301,322 S * 5/1989 Lee D12/11
5,564,357 A * 10/1996 Peterson 114/345
D393,038 S * 3/1998 Peterson D21/803
D407,775 S * 4/1999 Peterson D21/803
D407,778 S * 4/1999 Peterson D21/803
D407,780 S * 4/1999 Peterson D21/803
5,899,782 A * 5/1999 Martin 441/66
D432,199 S * 10/2000 Peterson D21/803

OTHER PUBLICATIONS

Ski Limited, 2003, p. 25, water towables, [retrieved on Apr. 20, 2004]. Retrieved from internet using Google Advanced catalog search, <URL:www.skilimited.com>.*

* cited by examiner

Primary Examiner—Lucy Lieberman

(74) *Attorney, Agent, or Firm*—Sturm & Fix LLP

(57) **CLAIM**

The ornamental design for an inflatable towable vehicle, as shown and described.

DESCRIPTION

FIG. 1 is a perspective view of the inflatable towable vehicle showing my new design;

FIG. 2 is a right side elevational view thereof;

FIG. 3 is a left side elevational view thereof;

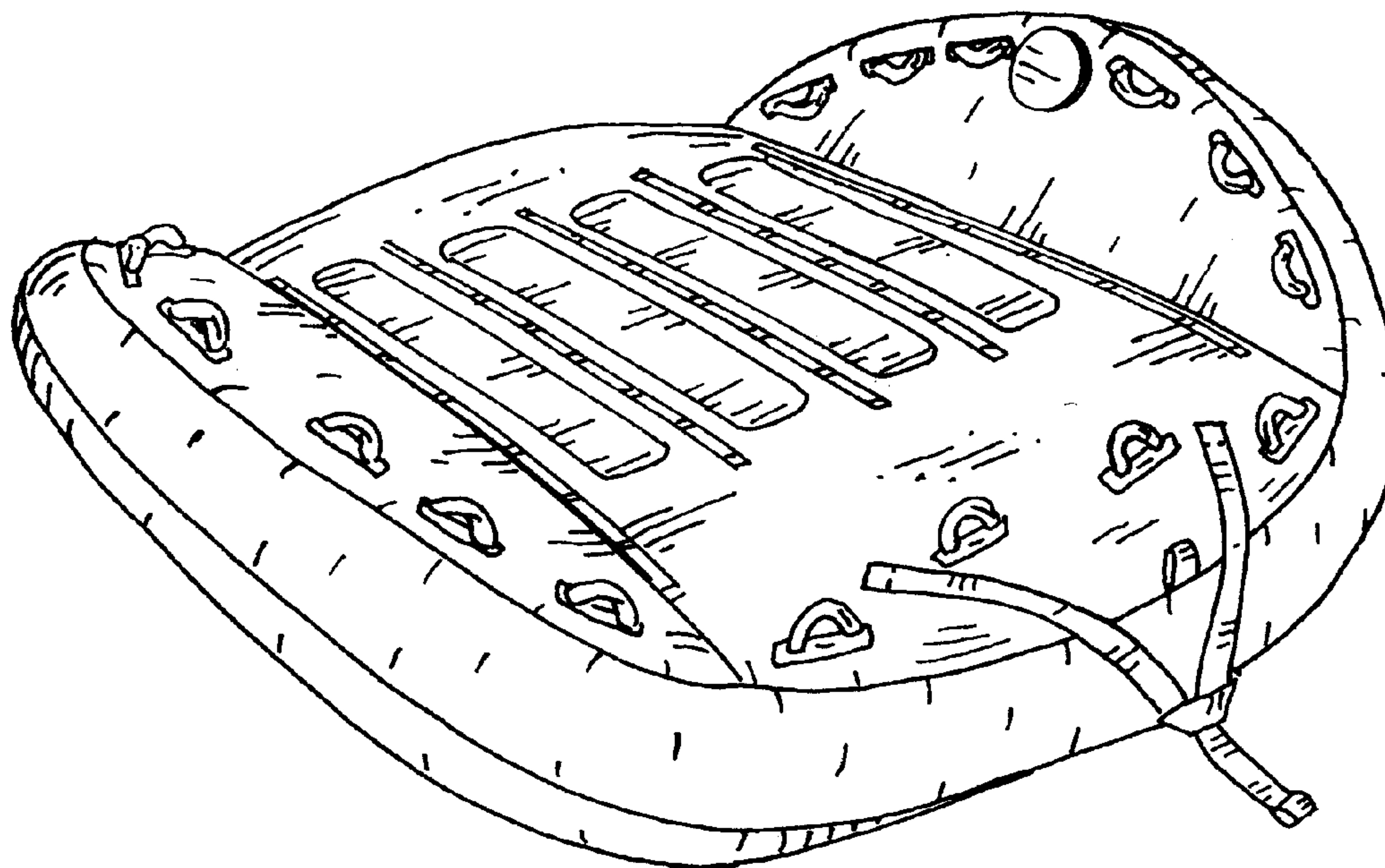
FIG. 4 is a front elevational view thereof;

FIG. 5 is a rear elevational view thereof;

FIG. 6 is a top plan view thereof; and,

FIG. 7 is a bottom plan view thereof.

1 Claim, 3 Drawing Sheets



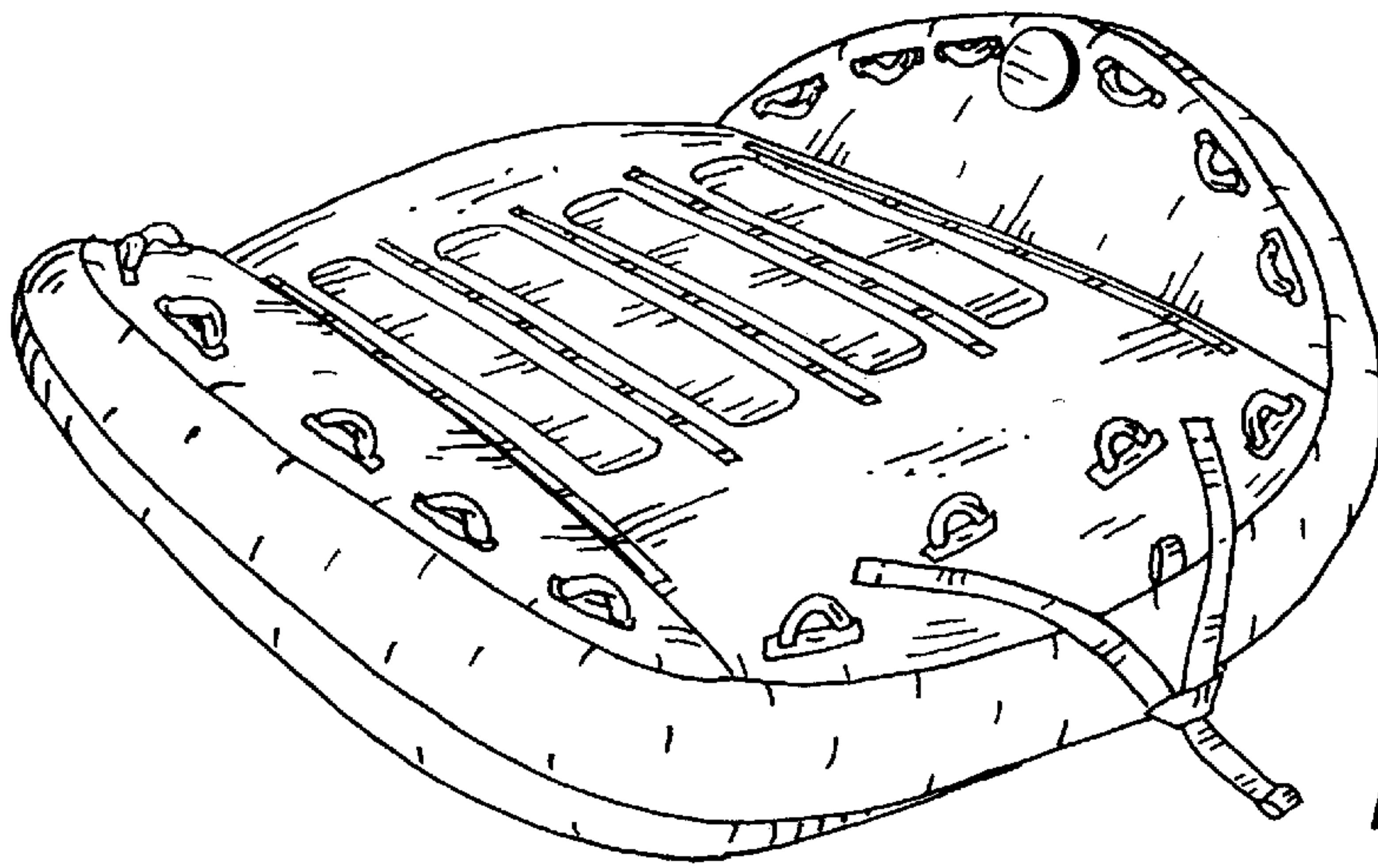


Fig. 1

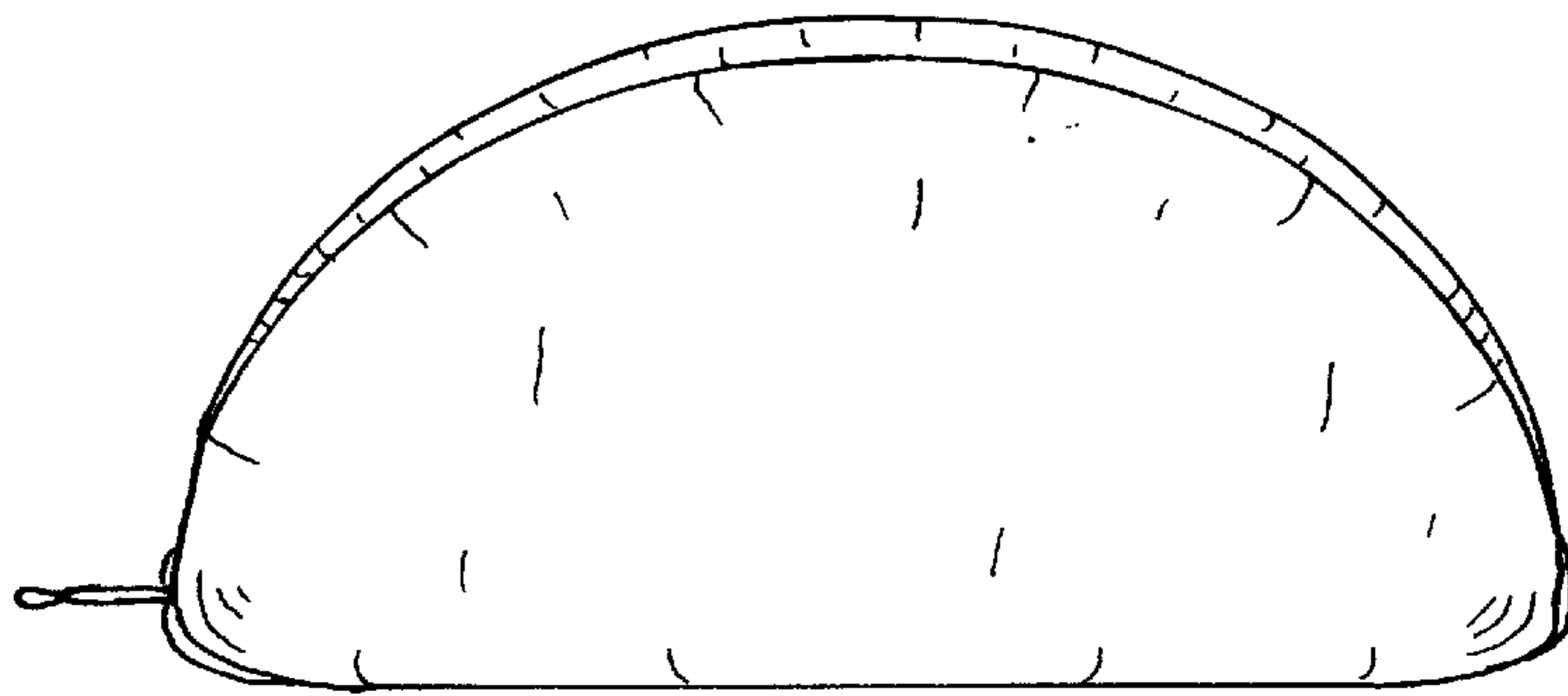


Fig. 2

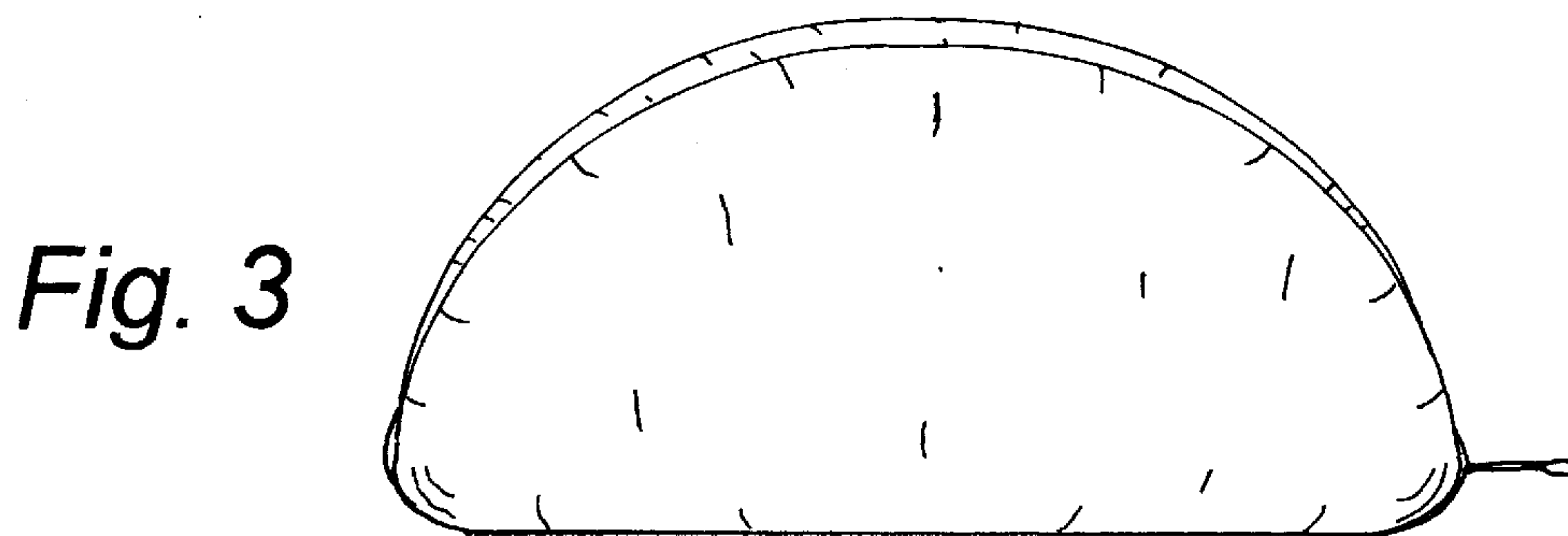


Fig. 3

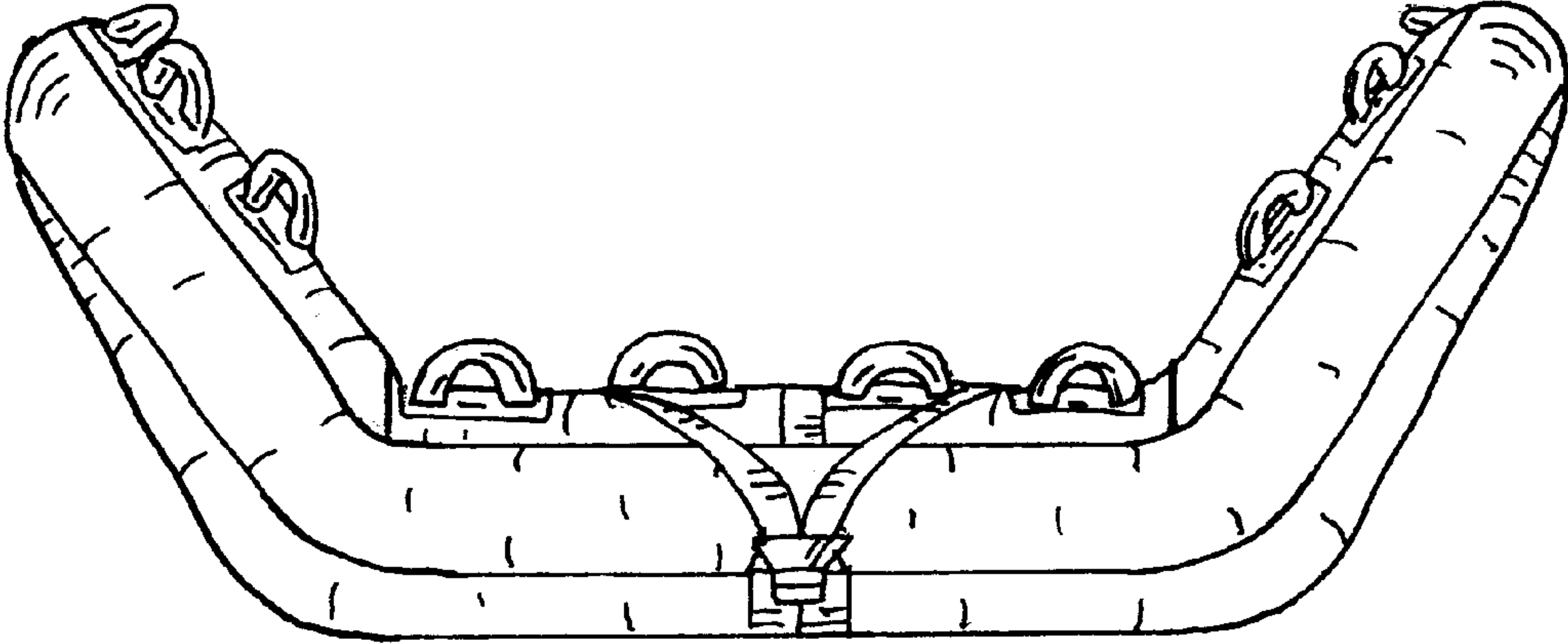


Fig. 4

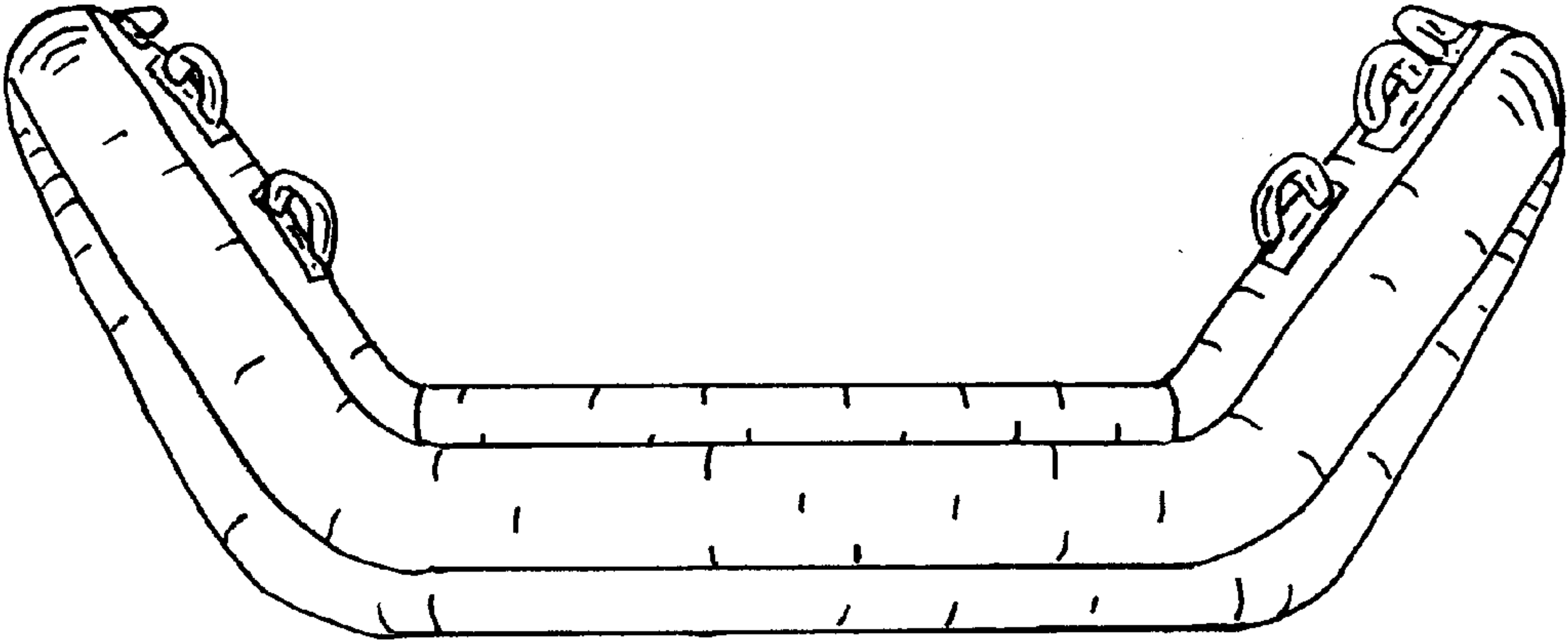


Fig. 5

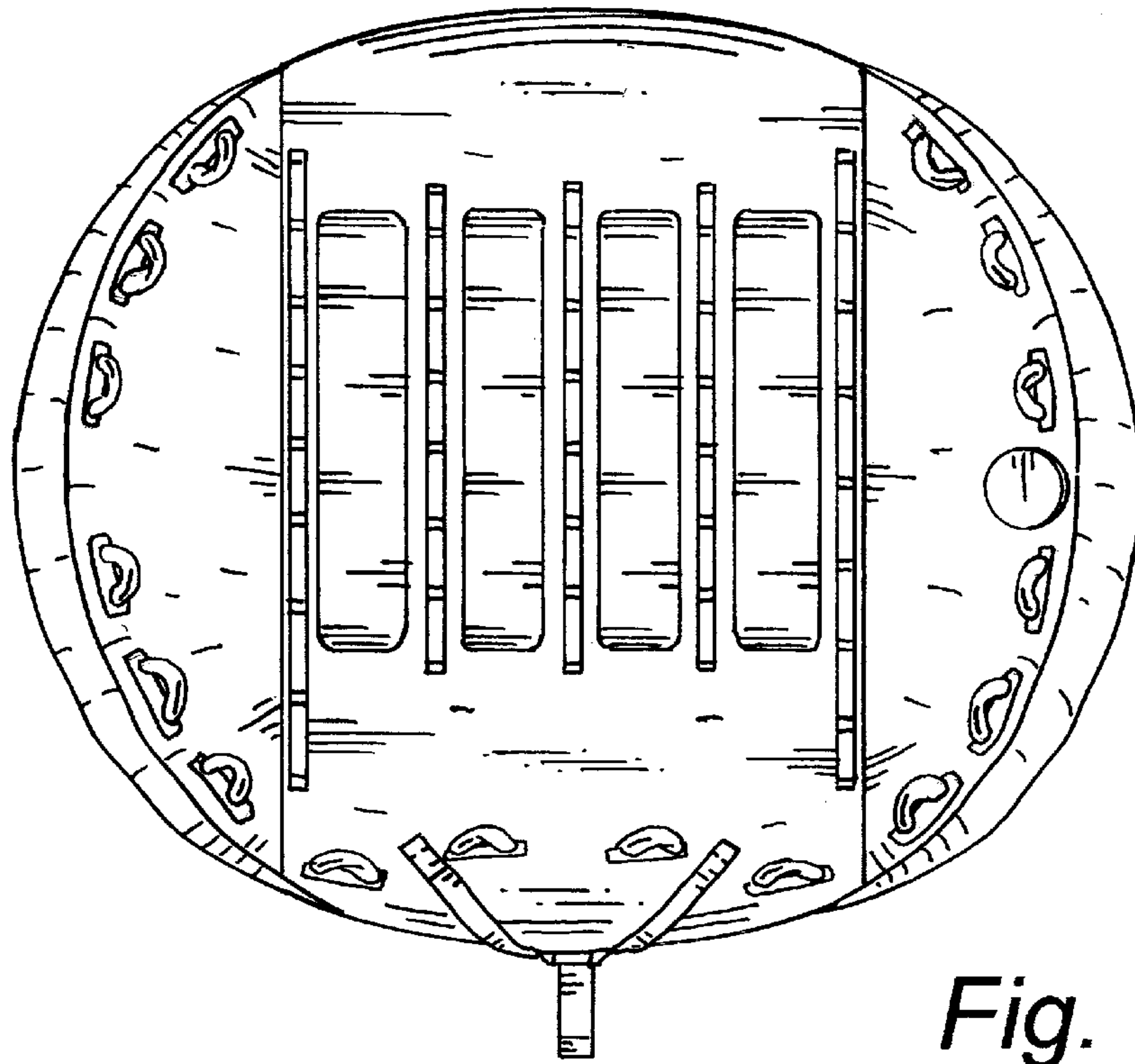


Fig. 6

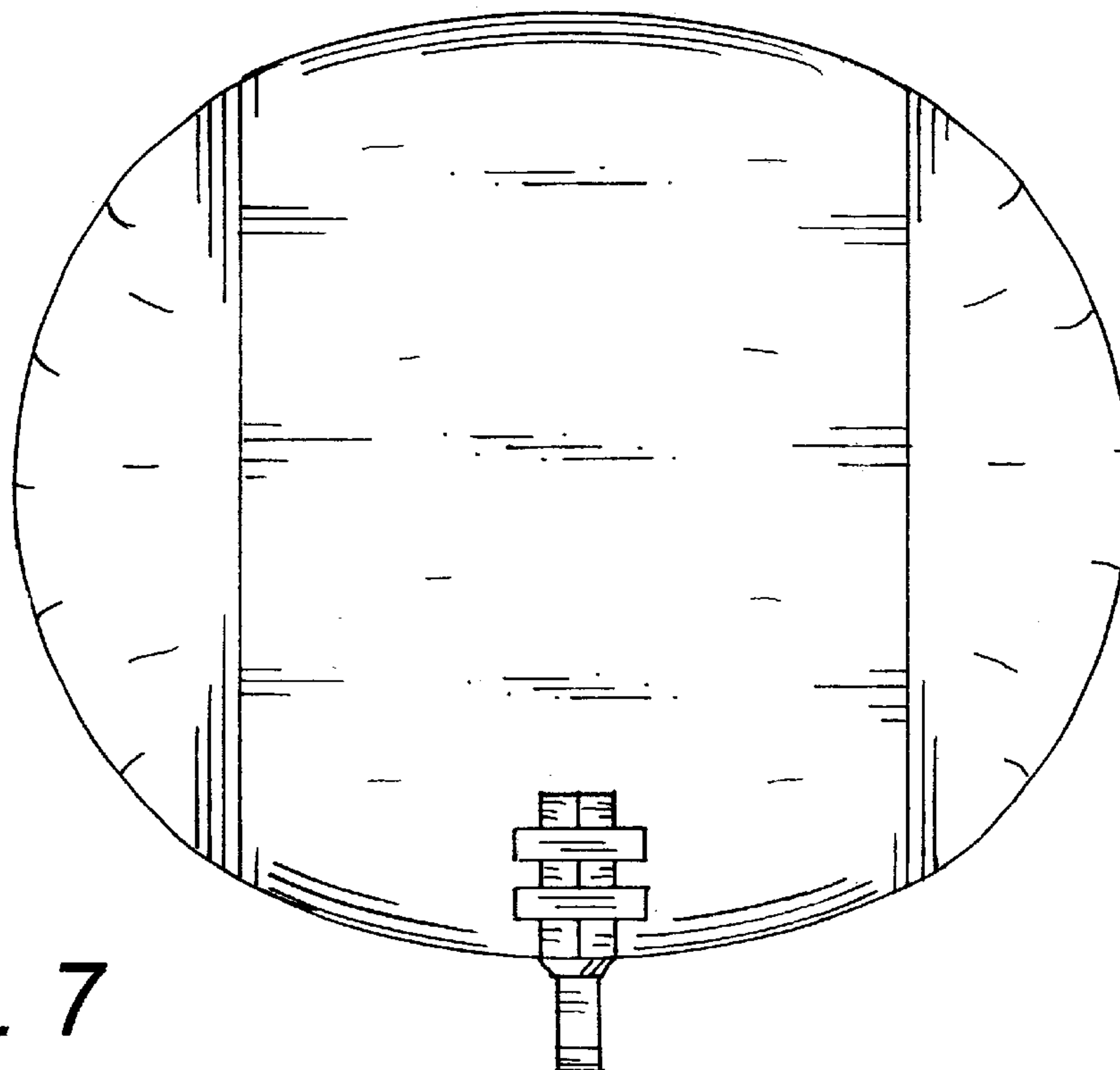


Fig. 7