

US00D498269S

(12) **United States Design Patent**  
**Shirai**

(10) **Patent No.: US D498,269 S**  
(45) **Date of Patent: \*\* Nov. 9, 2004**

(54) **DRAWING TOY**

(75) **Inventor: Takahiko Shirai, Tokyo (JP)**

(73) **Assignee: Tony Company, Ltd., Tokyo (JP)**

(\*\*) **Term: 14 Years**

(21) **Appl. No.: 29/186,336**

(22) **Filed: Jul. 15, 2003**

(30) **Foreign Application Priority Data**

Jan. 21, 2003 (JP) ..... 2003-001246

(51) **LOC (7) Cl. .... 21-01**

(52) **U.S. Cl. .... D21/469; D19/35; D19/52**

(58) **Field of Search .... D21/329, 331,  
D21/398, 404, 468, 469; D19/35, 52, 59,  
60, 62, 64; 446/129-133, 146, 147, 149,  
151, 484, 489; 434/85, 408-425**

(56) **References Cited**

**U.S. PATENT DOCUMENTS**

4,590,381 A \* 5/1986 Mendelson ..... 250/483.1  
D359,984 S \* 7/1995 Mak ..... D19/52  
D363,511 S \* 10/1995 Hui ..... D21/329  
5,551,905 A \* 9/1996 Billings et al. .... 446/151  
5,674,104 A \* 10/1997 Ohashi et al. .... 446/132  
D419,190 S \* 1/2000 Mak ..... D19/52

D419,599 S \* 1/2000 Mak ..... D19/52  
6,183,262 B1 \* 2/2001 Tseng ..... 434/409  
D443,304 S \* 6/2001 Mak ..... D19/52  
D453,195 S \* 1/2002 Chan ..... D21/329  
D467,971 S \* 12/2002 Mak ..... D19/52

**OTHER PUBLICATIONS**

Hong Kong Toys Jan. 2002: 1) magnetic drawing boards shown on p. 8; 2) p. 921: items GS0188, GS0128 and GS022.\*

\* cited by examiner

*Primary Examiner*—Stella Reid

*Assistant Examiner*—C. Tuttle

(74) *Attorney, Agent, or Firm*—Staas & Halsey LLP

(57) **CLAIM**

The ornamental design for the drawing toy, as shown.

**DESCRIPTION**

FIG. 1 is a front perspective view of the drawing toy embodying the new design;

FIG. 2 is a top plan view thereof;

FIG. 3 is a bottom plan view thereof;

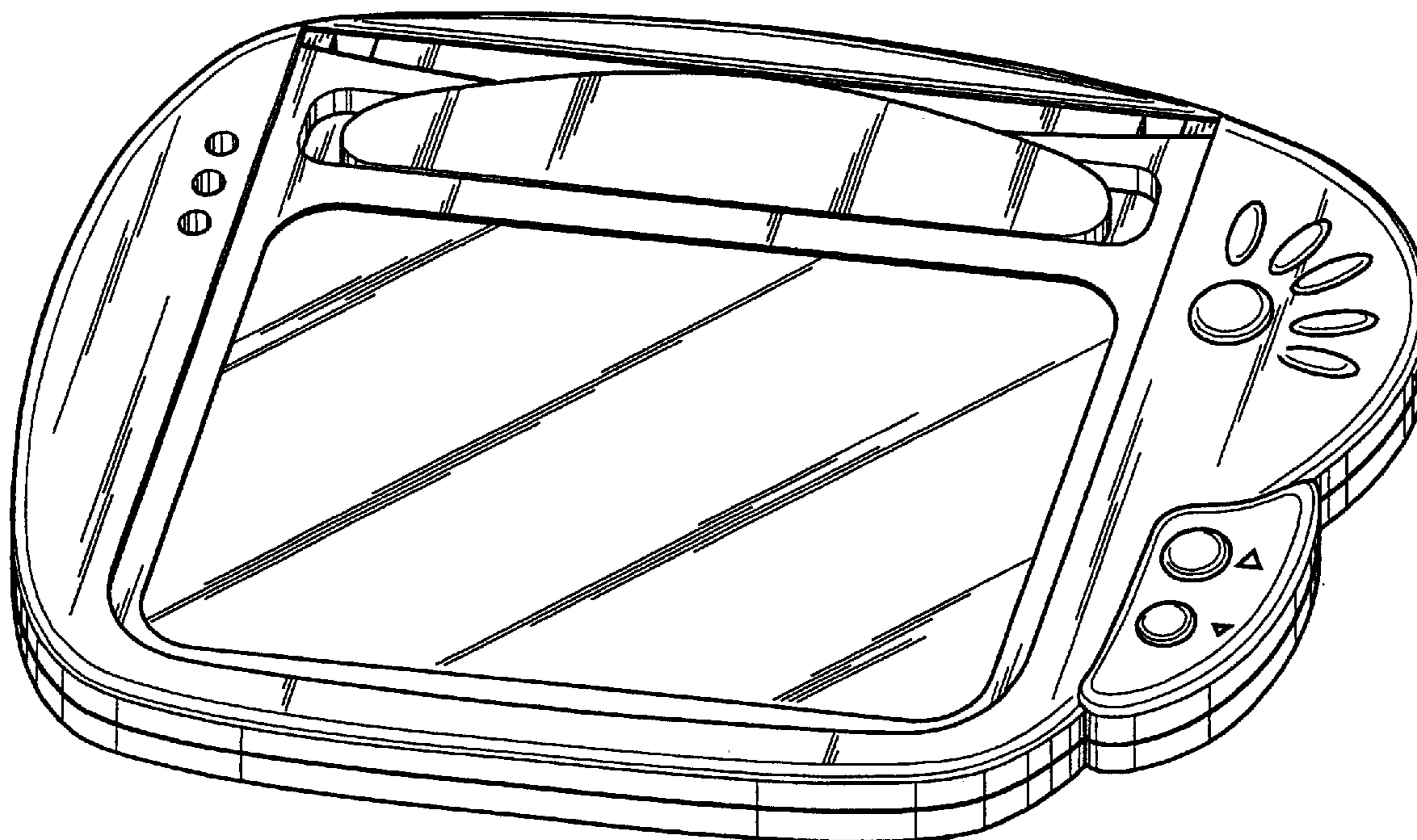
FIG. 4 is a left-side elevational view thereof;

FIG. 5 is a right-side elevational view thereof;

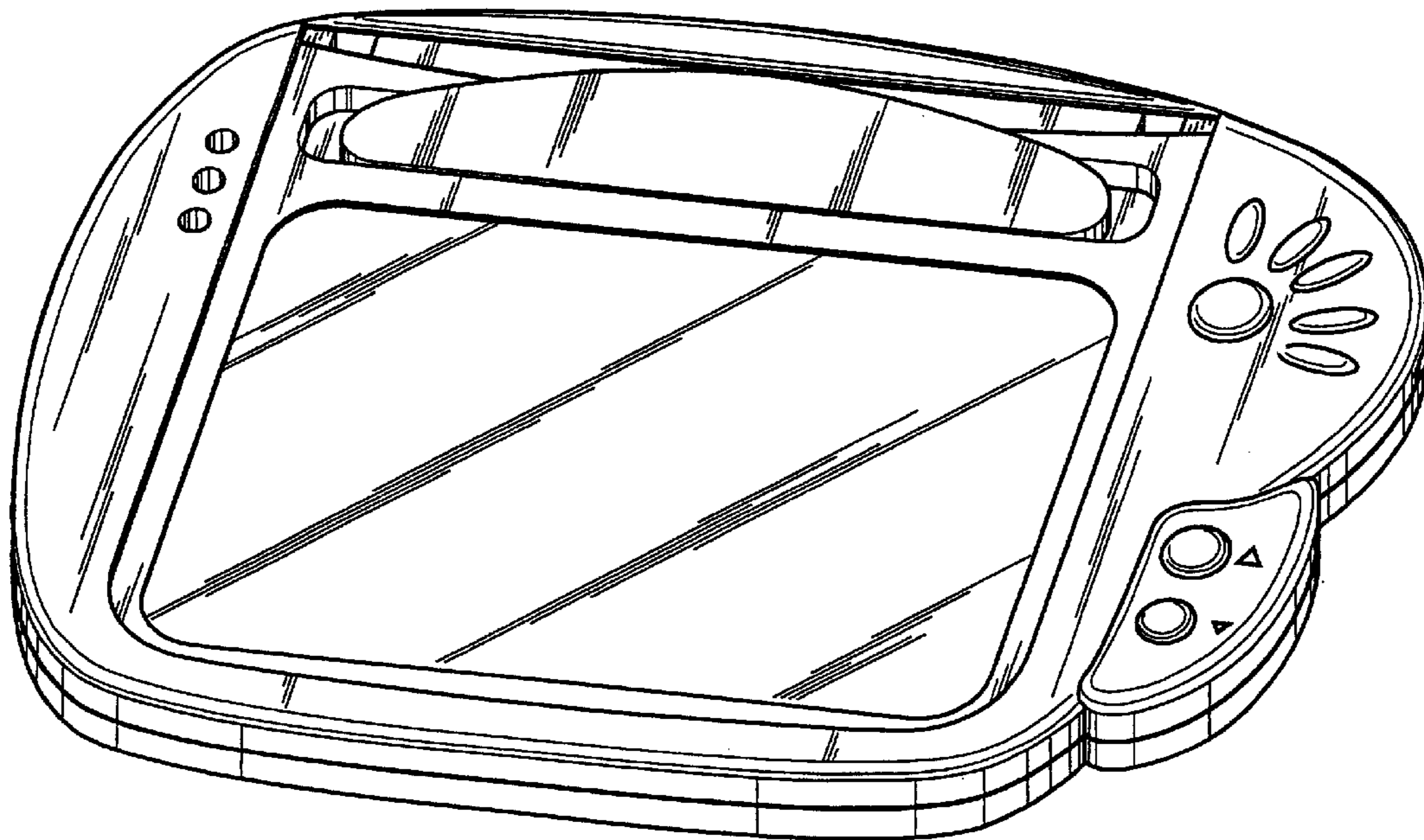
FIG. 6 is a front elevational view thereof; and,

FIG. 7 is a rear elevational view thereof.

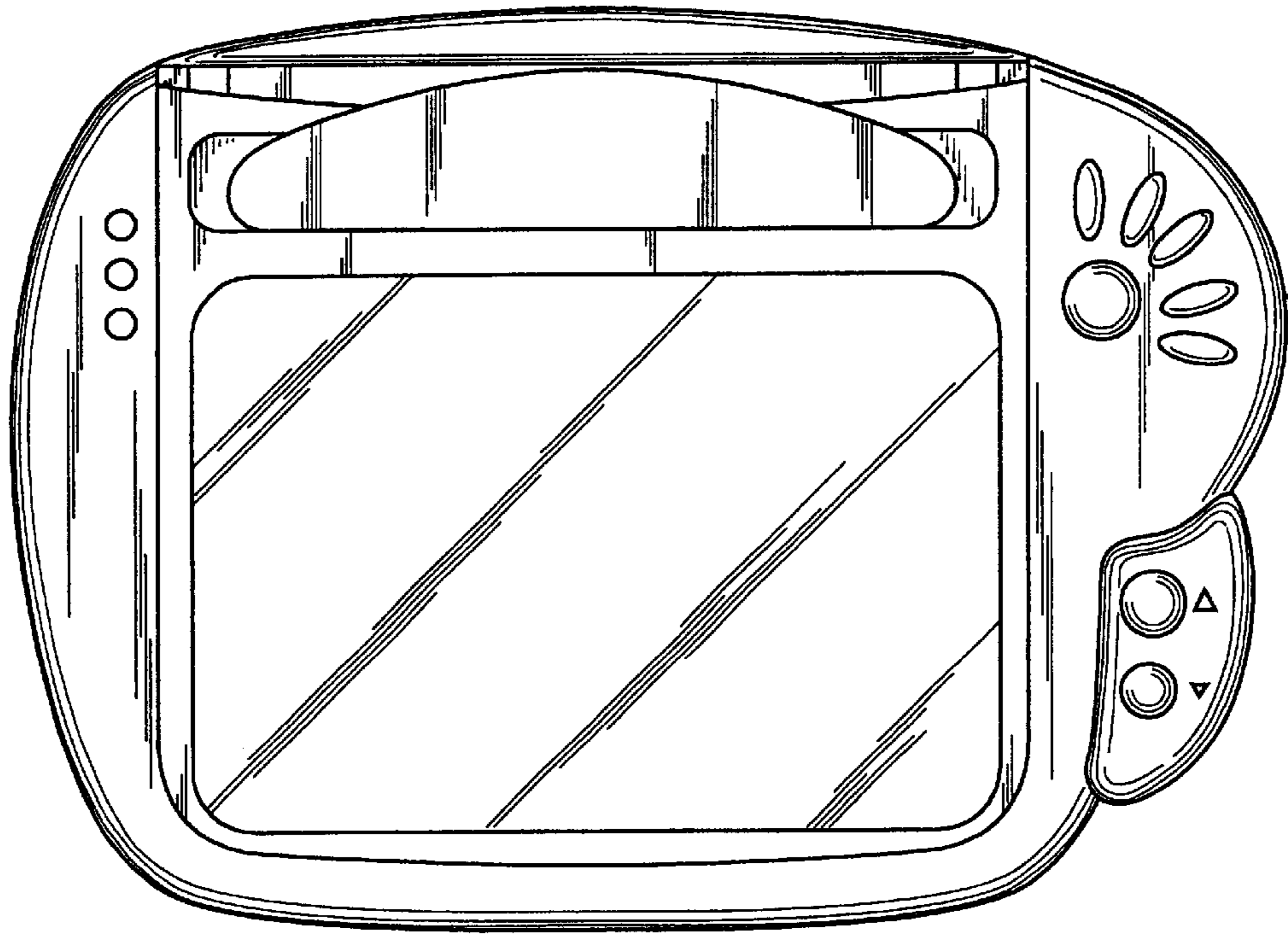
**1 Claim, 4 Drawing Sheets**



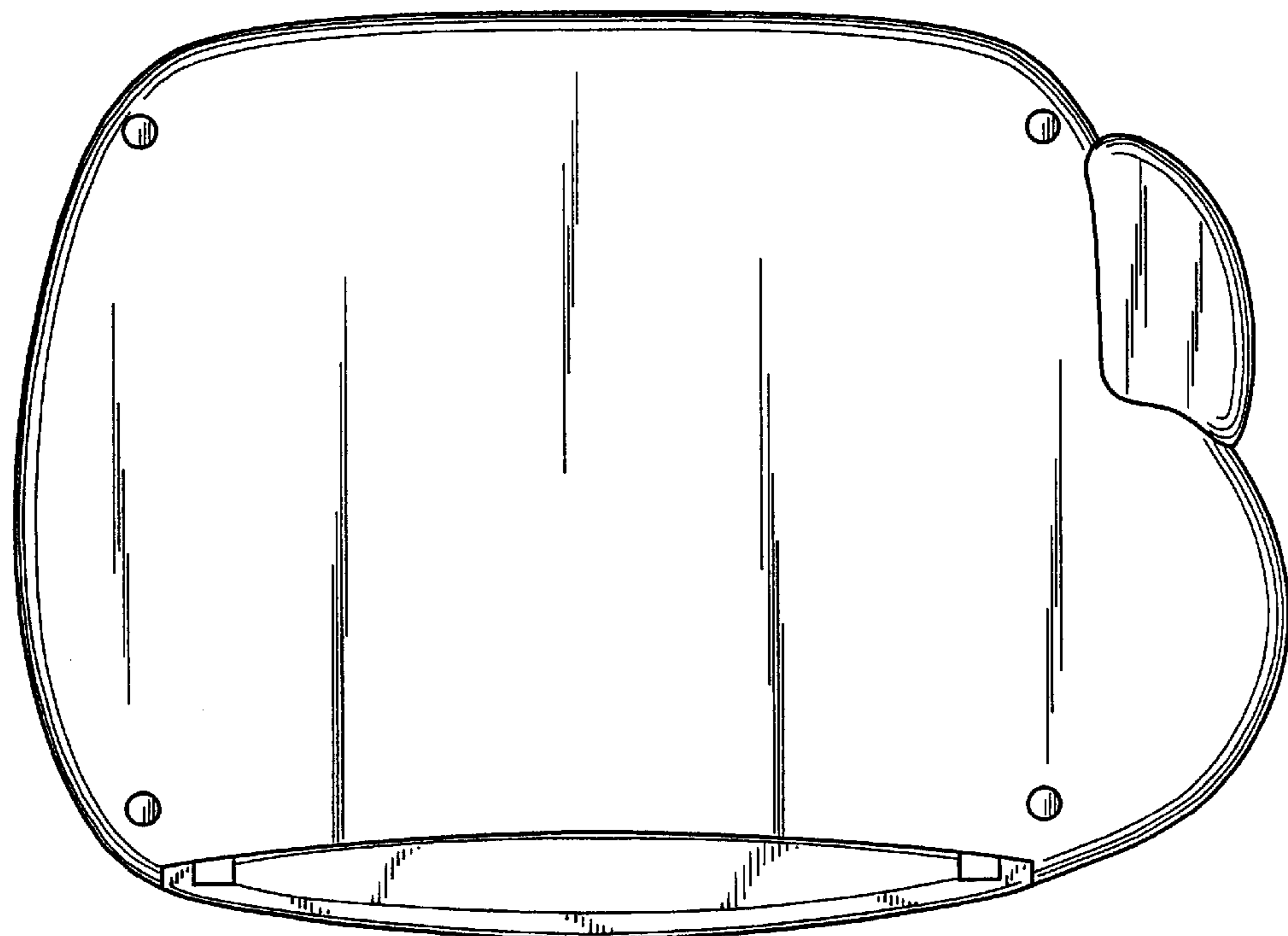
**FIG. 1**



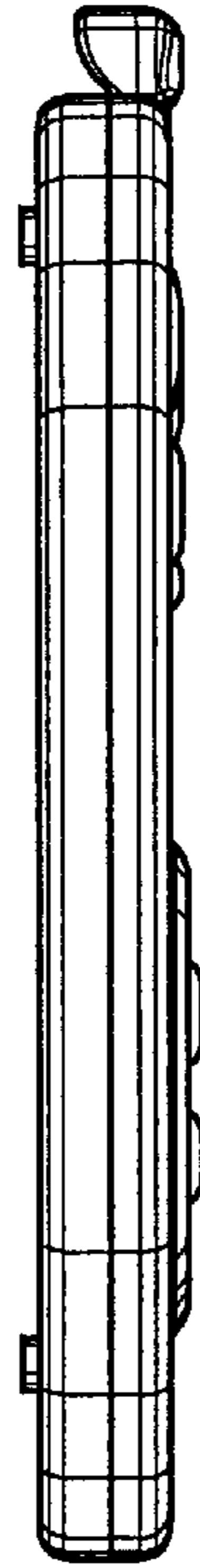
**FIG. 2**



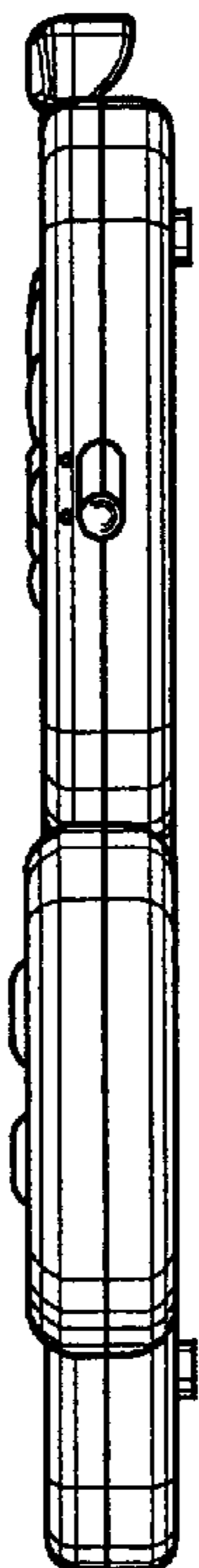
**FIG. 3**



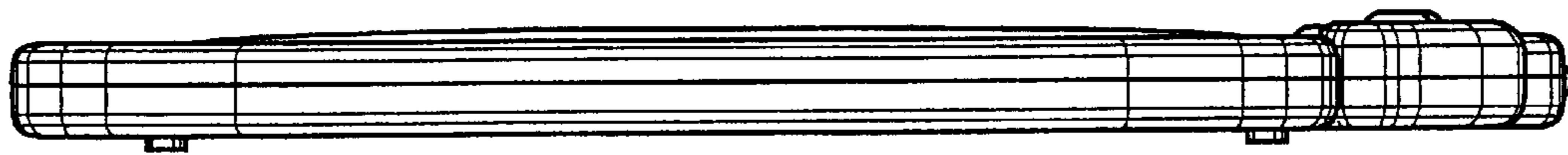
***FIG. 4***



***FIG. 5***



***FIG. 6***



***FIG. 7***

