

US00D498266S

(12) **United States Design Patent** (10) **Patent No.:** **US D498,266 S**  
**Reeves, Jr.** (45) **Date of Patent:** **\*\* Nov. 9, 2004**

(54) **BILLIARDS PRACTICE TABLE**

(57) **CLAIM**

(76) **Inventor:** **Charles E. Reeves, Jr.**, 305 Angelman Dr., Euless, TX (US) 76039

We claim the ornamental design for a billiards practice table, as shown and described.

(\*\*) **Term:** **14 Years**

**DESCRIPTION**

(21) **Appl. No.:** **29/199,885**

(22) **Filed:** **Feb. 19, 2004**

**Related U.S. Application Data**

(63) Continuation-in-part of application No. 10/167,877, filed on Jun. 12, 2002, now Pat. No. 6,729,964.

(51) **LOC (7) Cl.** ..... **21-01**

(52) **U.S. Cl.** ..... **D21/316; D21/312; D21/318**

(58) **Field of Search** ..... **D21/312-323, D21/334, 338; 273/108, 123 R, 127 R, 118 R; 473/1, 4, 6, 28, 9, 10, 29, 14, 17, 19, 31**

FIG. 1 is an exploded perspective view of a billiard practice table showing my new design;  
FIG. 2 is a top plan view thereof;  
FIG. 3 is a bottom plan view thereof;  
FIG. 4 is a right side elevational view thereof;  
FIG. 5 is a left side elevational view thereof;  
FIG. 6 is a rear elevational view thereof;  
FIG. 7 is front elevational view thereof;  
FIG. 8 is a perspective view of a target panel shown in FIG. 1;  
FIG. 9 is a right side elevational view of FIG. 8;  
FIG. 10 is left side elevational view of FIG. 8;  
FIG. 11 is a bottom plan view of FIG. 8;  
FIG. 12 is a top plan view of FIG. 8;  
FIG. 13 is a front elevational view of FIG. 8;  
FIG. 14 is a rear elevational view of FIG. 8;  
FIG. 15 is a perspective view of an alternate target panel shown in FIG. 8;  
FIG. 16 is a perspective view of another alternate target panel shown in FIG. 8;  
FIG. 17 is a perspective view of the same target panel shown in FIG. 8; and,  
FIG. 18 is a perspective view of a furthermore alternate target panel shown in FIG. 8.  
The undisclosed sides of the target panels shown in FIGS. 15-18 are the same as shown in FIGS. 9-14 respectively with the exception of the bottom plan views which correspond to the number of openings of each target panel. The broken lines showing of target panel openings are for illustrative purpose only and form no part of the claimed design.

(56) **References Cited**

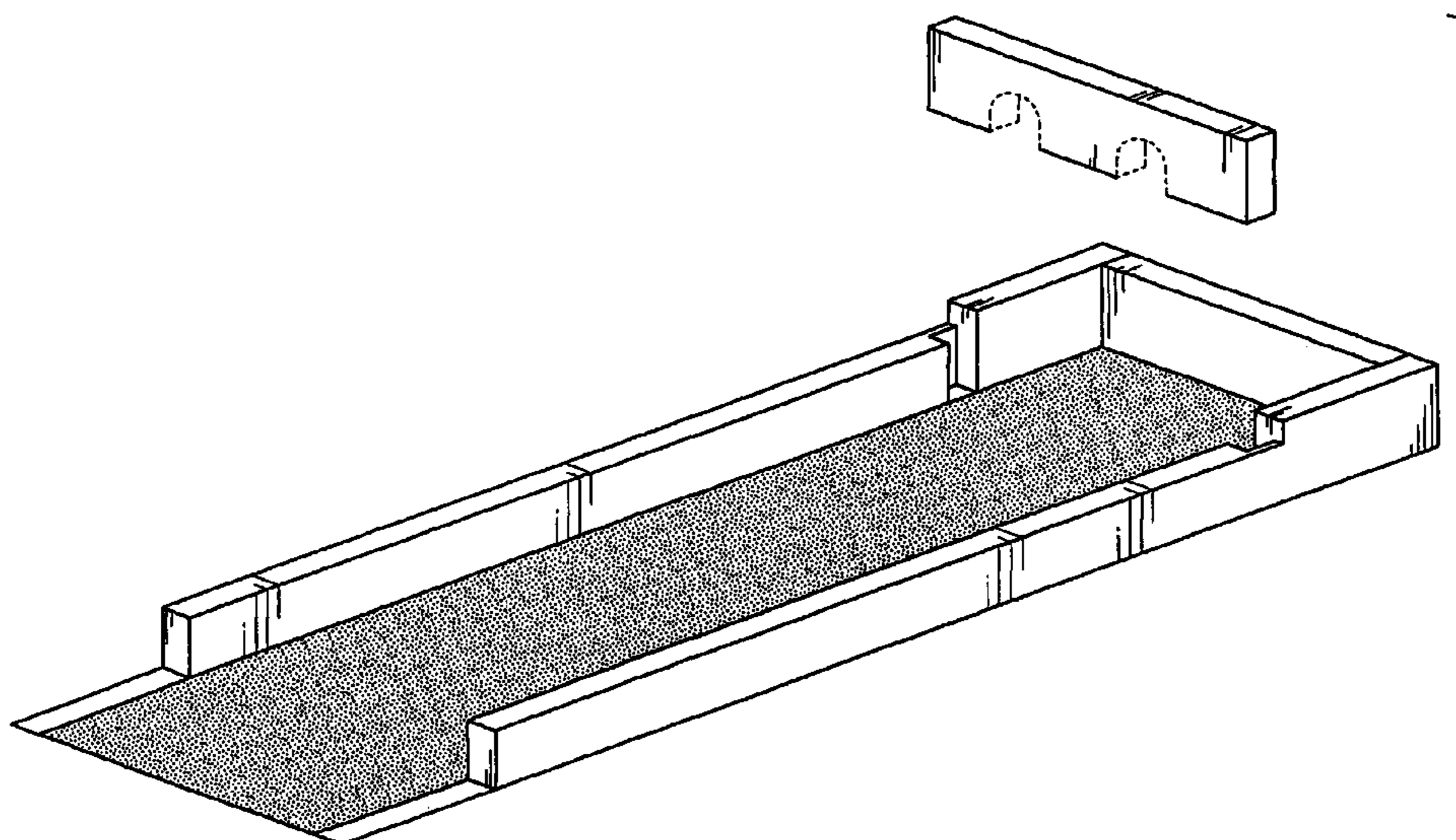
**U.S. PATENT DOCUMENTS**

D151,201 S	*	9/1948	Wescott	.....	D21/316
D167,066 S	*	6/1952	Bronson	.....	D21/312
3,591,176 A	*	7/1971	Roth	.....	473/3
D225,240 S	*	11/1972	Einstein et al.	.....	D21/316
D232,245 S	*	7/1974	Strols	.....	D21/312
3,989,244 A	*	11/1976	Wadina	.....	473/2
4,775,152 A	*	10/1988	Roehl	.....	273/108.1
5,401,215 A	*	3/1995	Pfost	.....	473/2
5,520,581 A	*	5/1996	Mazzoli	.....	473/2
D425,136 S	*	5/2000	Martin, Sr.	.....	D21/318
6,729,964 B2	*	5/2004	Reeves, Jr.	.....	473/2

\* cited by examiner

*Primary Examiner*—Prabhakar Deshmukh  
(74) *Attorney, Agent, or Firm*—Ray K. Shabani, Esq.

**1 Claim, 5 Drawing Sheets**



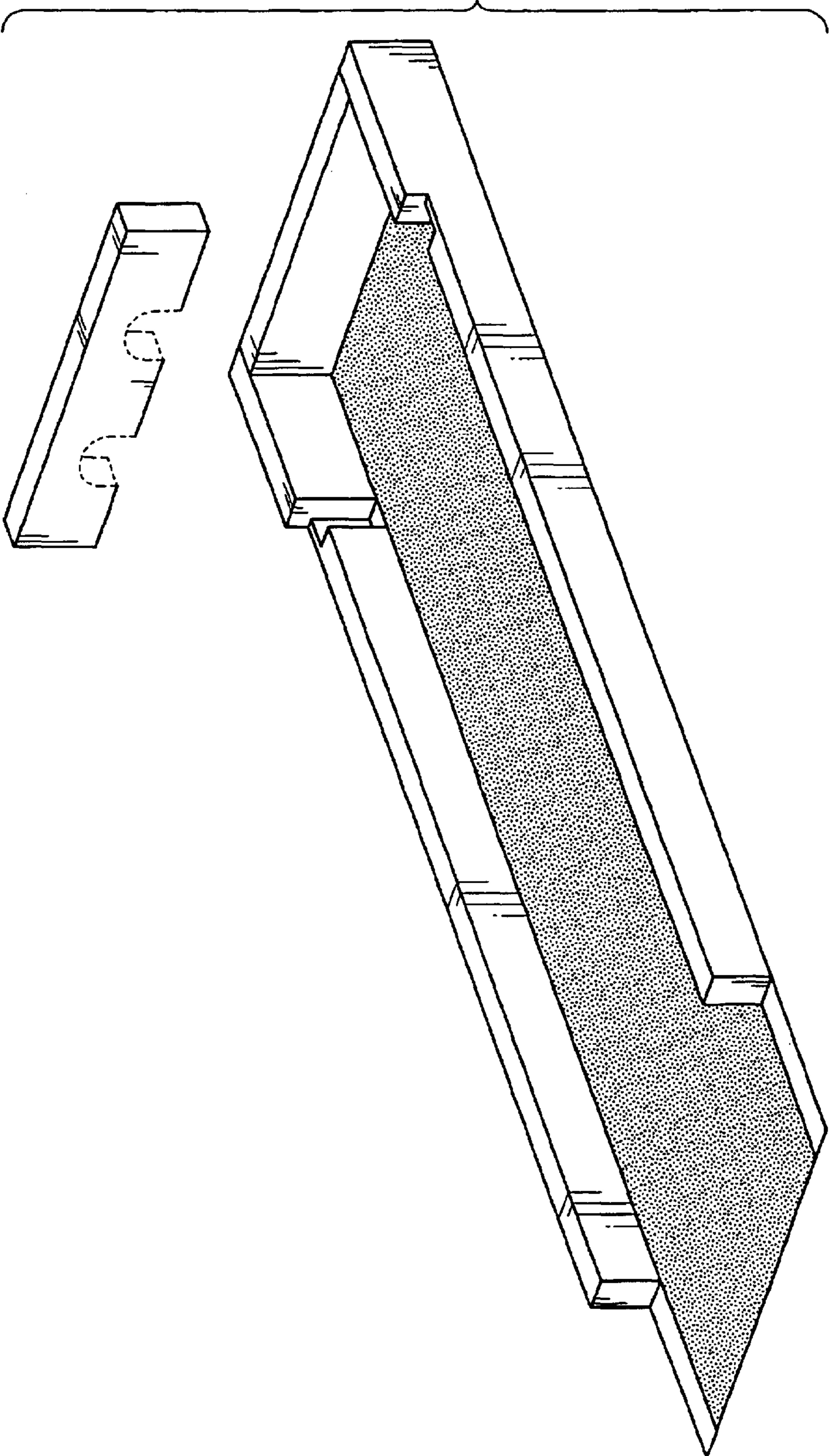


FIG.1

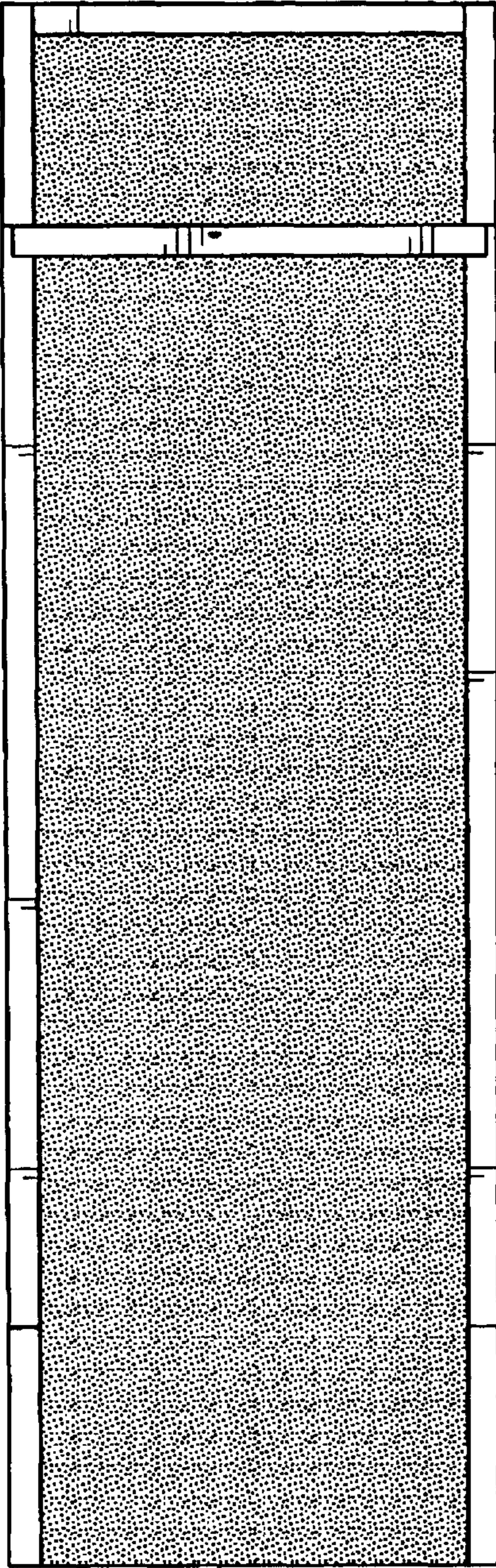


FIG. 2

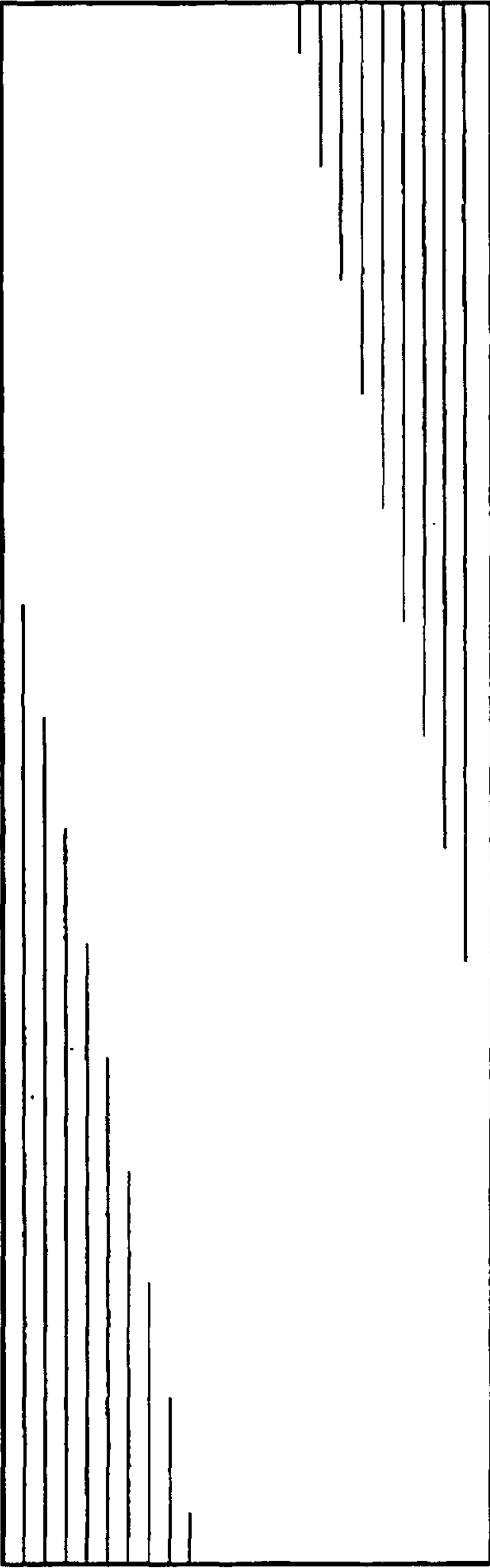


FIG. 3



FIG. 4

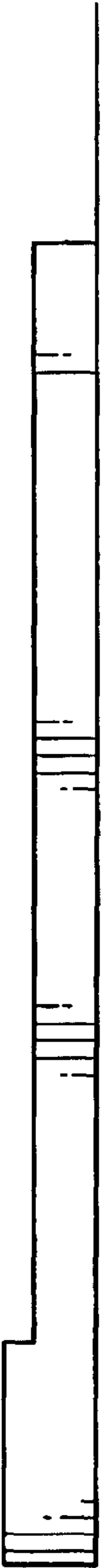


FIG. 5

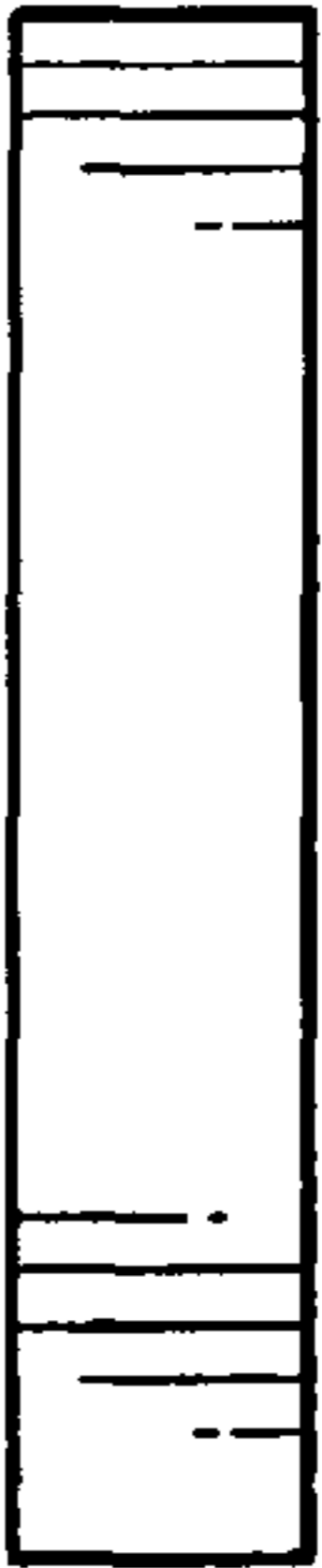


FIG. 6

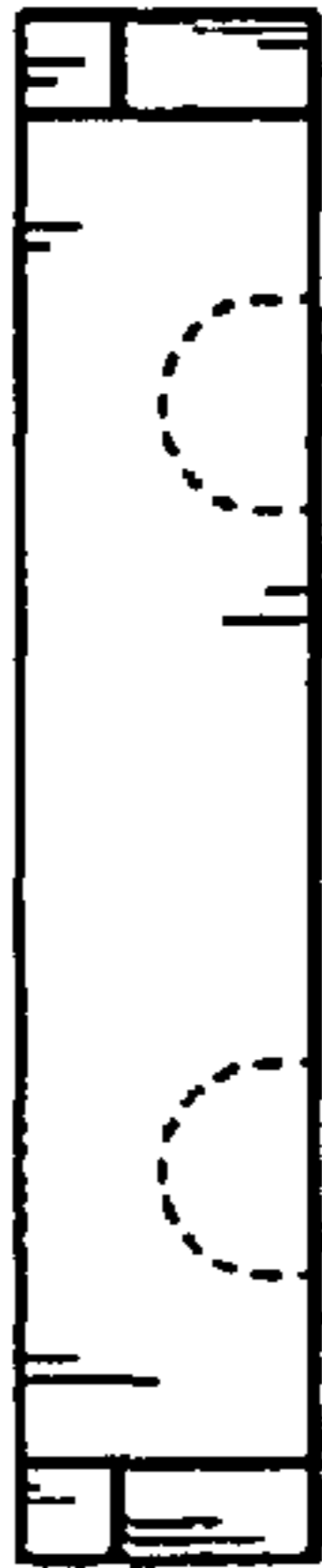


FIG. 7

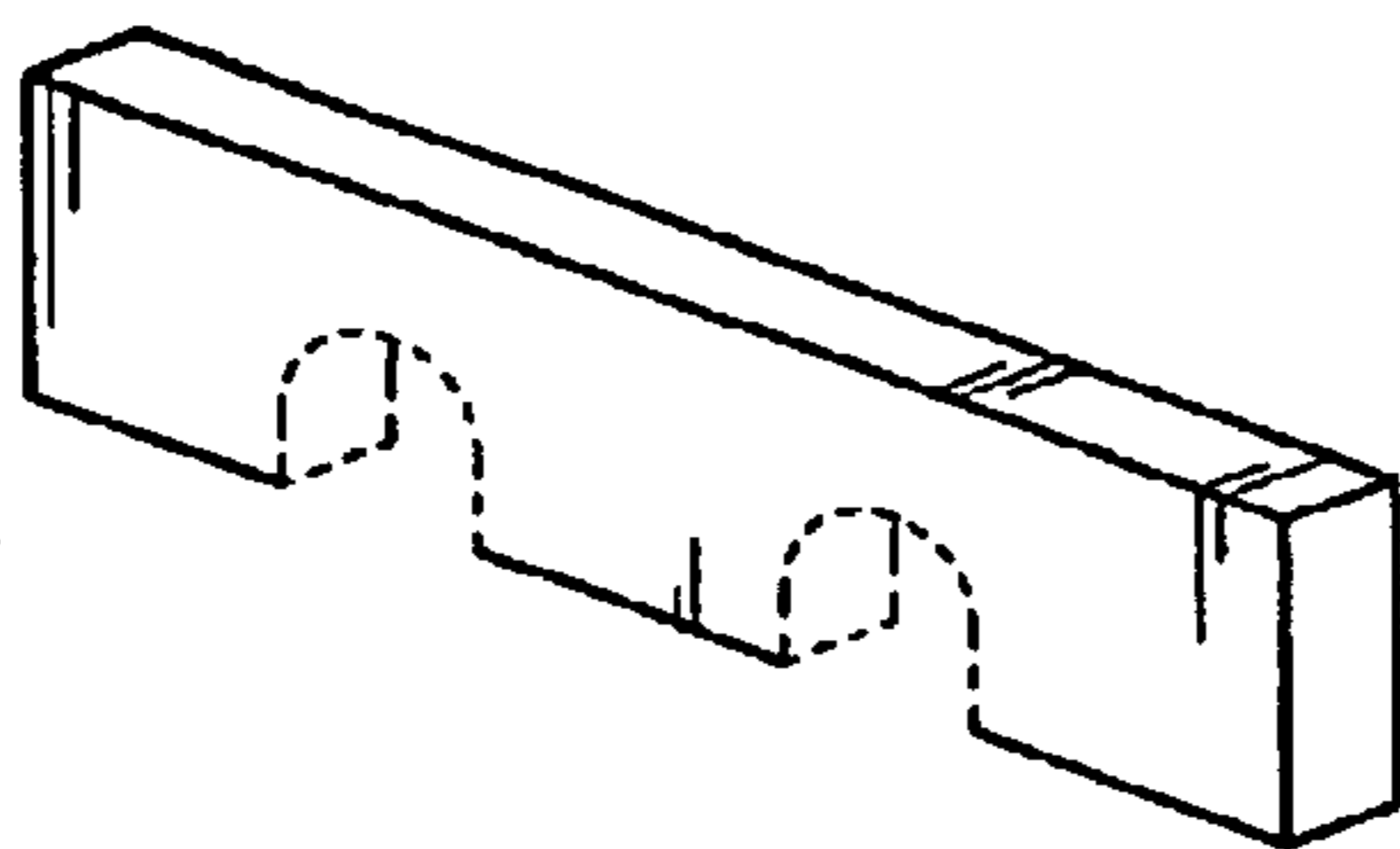


FIG. 8



FIG. 9



FIG. 10



FIG. 11



FIG. 12

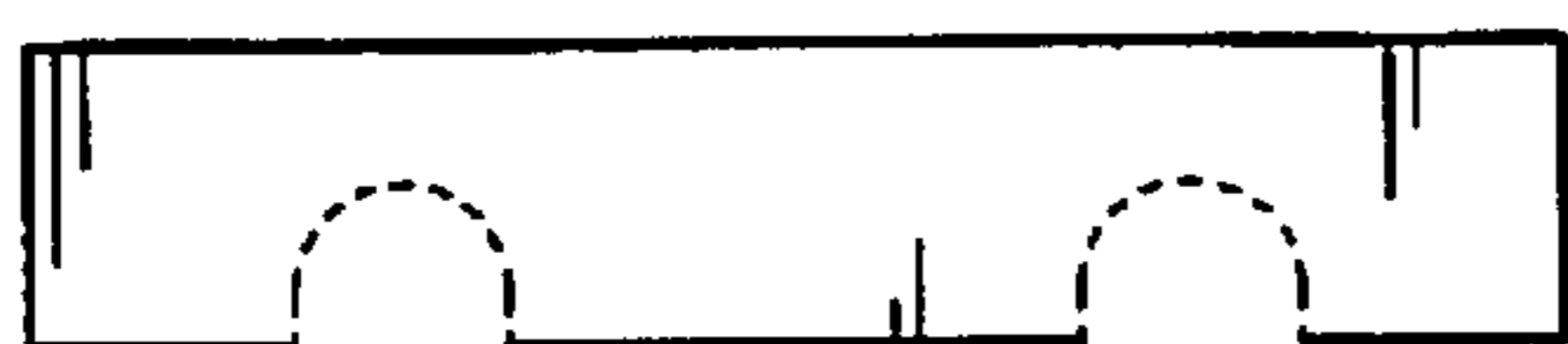


FIG. 13

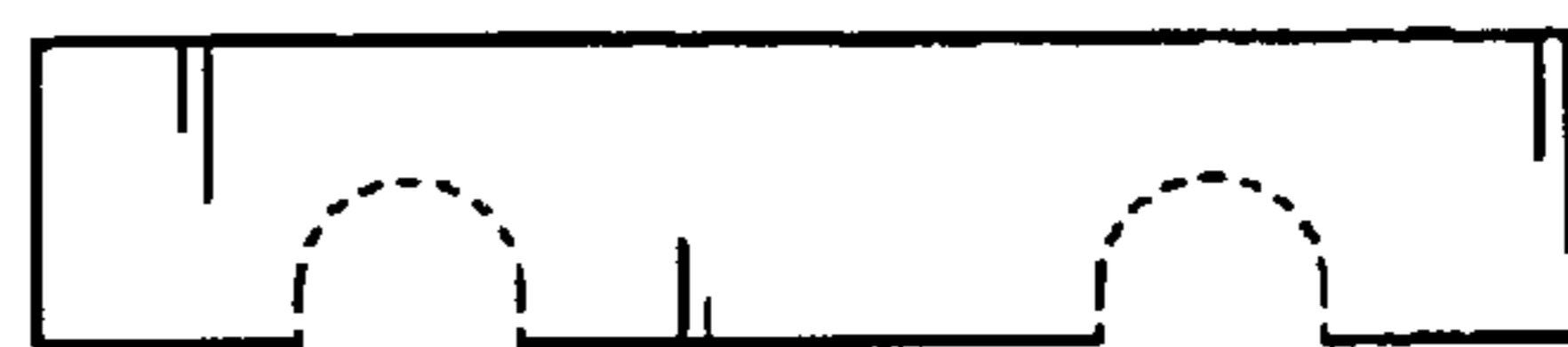


FIG. 14

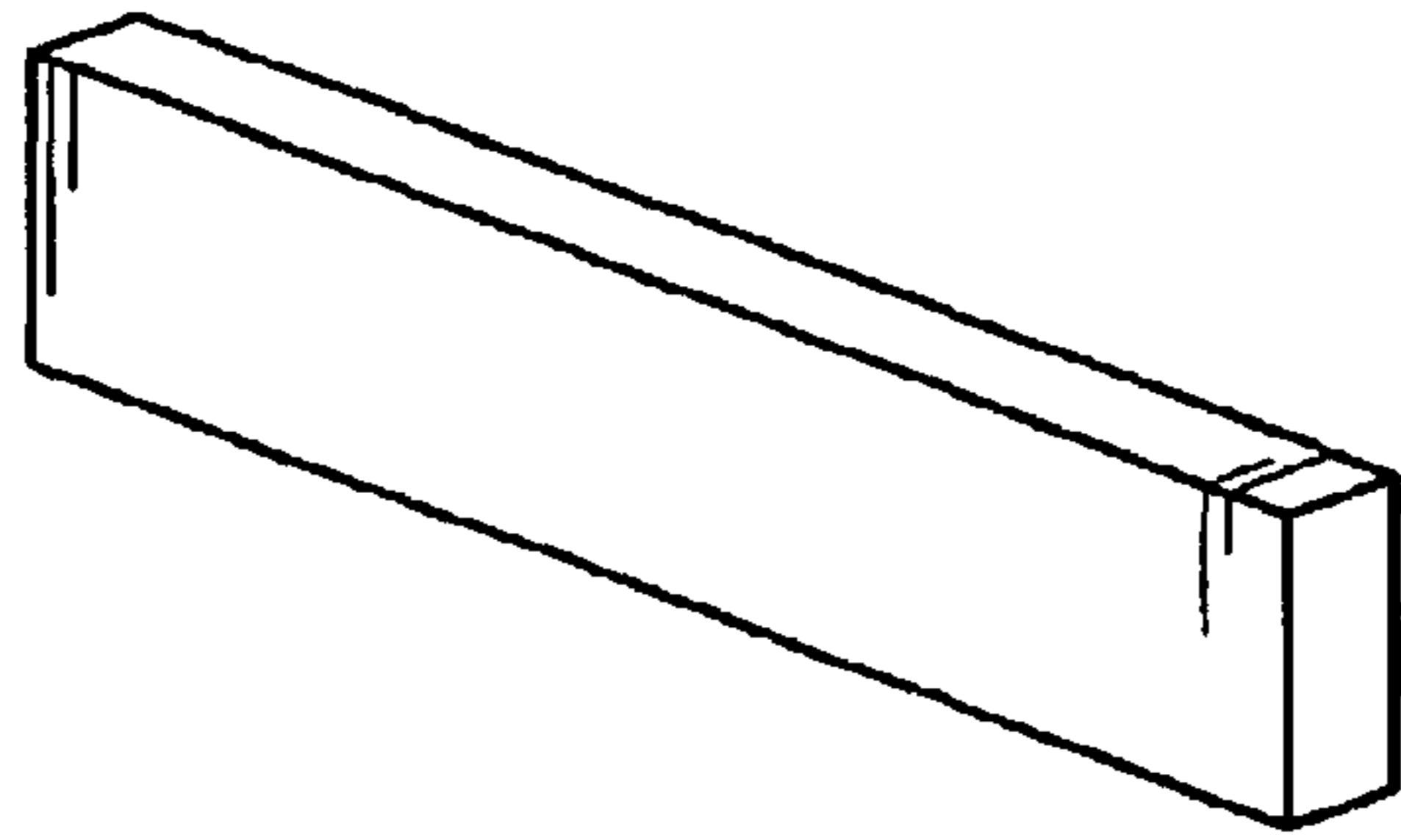


FIG. 15

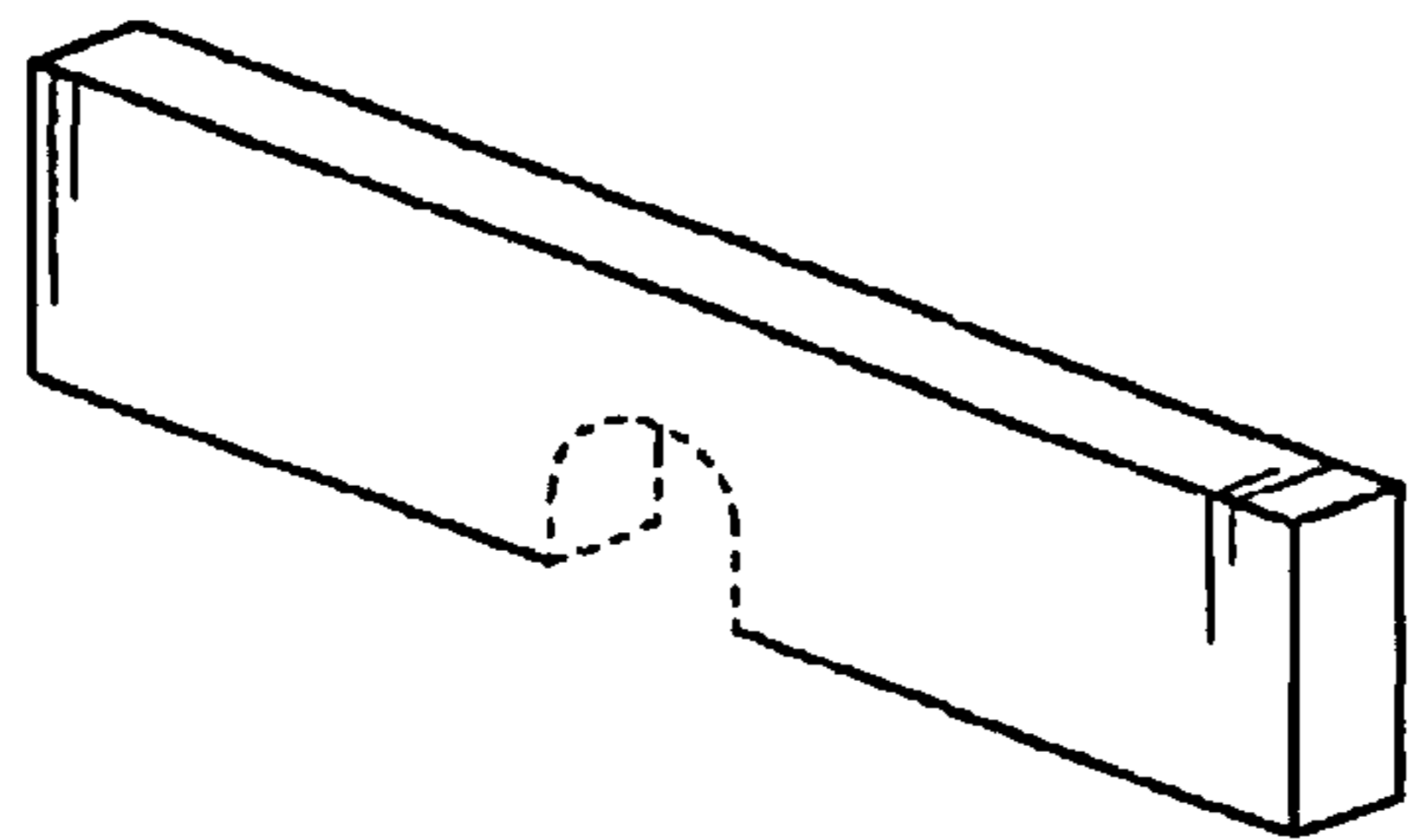


FIG. 16

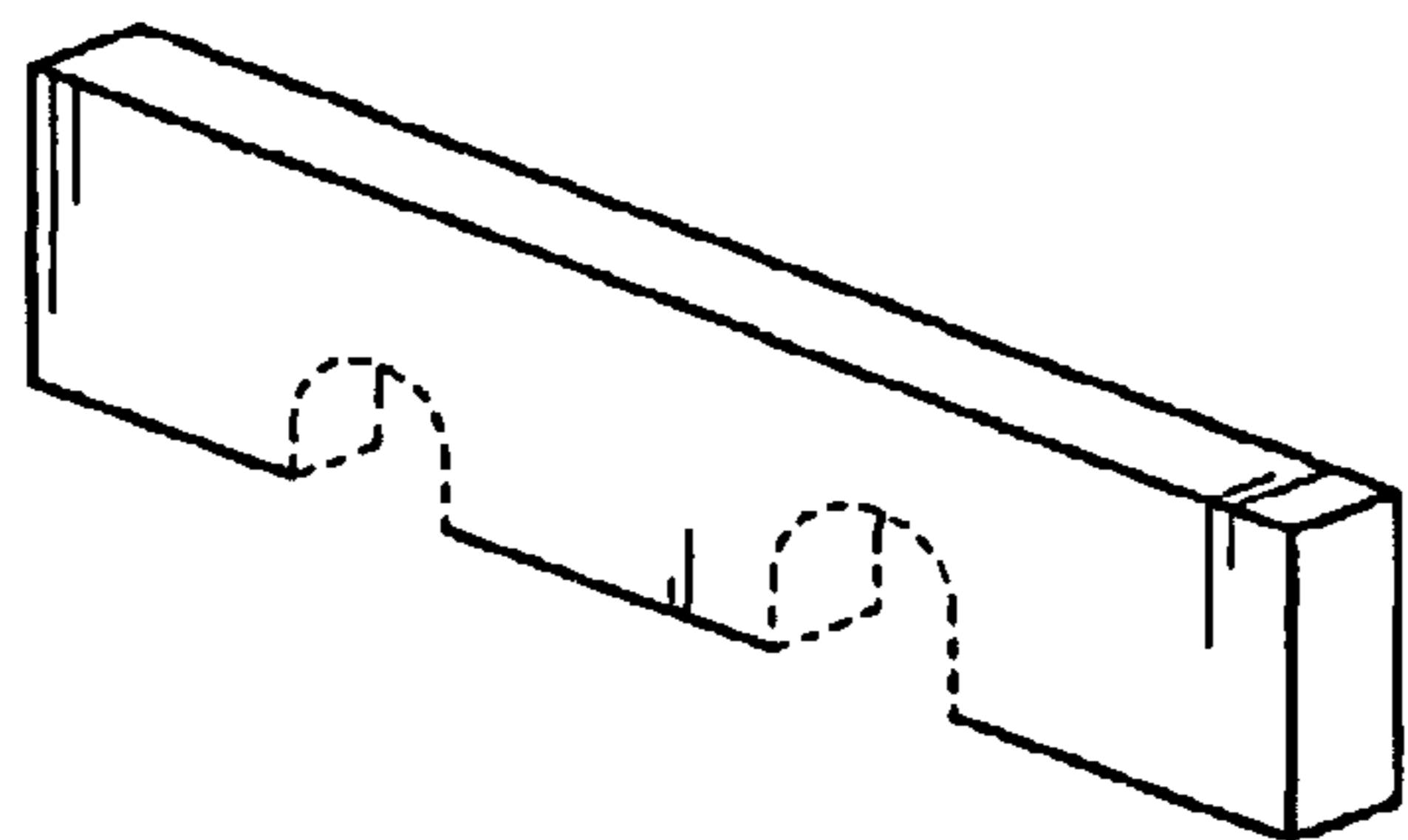


FIG. 17

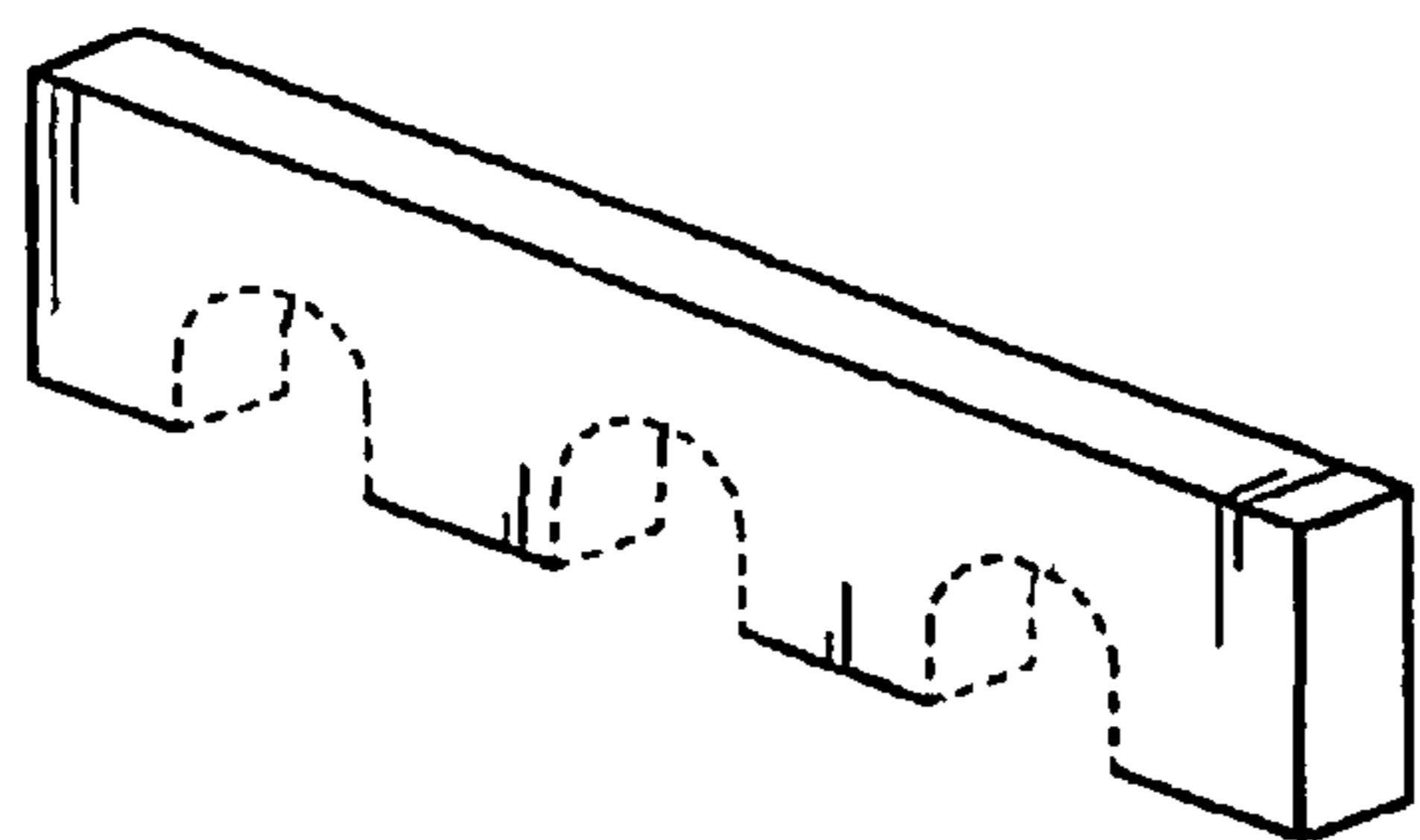


FIG. 18