

US00D498262S

(12) **United States Design Patent**  
**Bhavnani**

(10) **Patent No.:** **US D498,262 S**

(45) **Date of Patent:** **\*\* Nov. 9, 2004**

(54) **TAPE DISPENSER**

(75) **Inventor:** **Dilip Bhavnani, Beverly Hills, CA (US)**

(73) **Assignee:** **Sun Coast Merchandise Corp, Commerce, CA (US)**

(\*\*) **Term:** **14 Years**

(21) **Appl. No.:** **29/203,170**

(22) **Filed:** **Apr. 9, 2004**

(51) **LOC (7) Cl.** ..... **19-02**

(52) **U.S. Cl.** ..... **D19/69; D19/67**

(58) **Field of Search** ..... **D19/53, 65, 66, D19/67, 68, 69, 89, 99, 100; 206/389, 395-411, 415; 225/6, 7, 19, 20, 24, 25, 34-36, 45, 46, 52, 53, 56, 65, 77, 89; 156/327, 523, 527, 577, 579, 584; 242/588, 588.1-588.6, 419.4; 15/104.94**

(56) **References Cited**

**U.S. PATENT DOCUMENTS**

|             |   |         |          |       |        |
|-------------|---|---------|----------|-------|--------|
| D53,938 S   | * | 10/1919 | Shanklin | ..... | D19/67 |
| 2,352,445 A | * | 6/1944  | Pinckney | ..... | 225/20 |
| 2,652,115 A | * | 9/1953  | Mysels   | ..... | 225/24 |
| 2,708,076 A | * | 5/1955  | Polster  | ..... | 225/34 |
| D190,298 S  | * | 5/1961  | Krueger  | ..... | D19/68 |

|             |   |        |            |       |         |
|-------------|---|--------|------------|-------|---------|
| D248,961 S  | * | 8/1978 | De brey    | ..... | D19/69  |
| 4,151,039 A | * | 4/1979 | Lash       | ..... | 156/584 |
| D318,690 S  | * | 7/1991 | Huang      | ..... | D19/69  |
| D325,394 S  | * | 4/1992 | Ishii      | ..... | D19/68  |
| D460,487 S  | * | 7/2002 | Lay et al. | ..... | D19/69  |

\* cited by examiner

*Primary Examiner*—Martie K. Holtje

(74) *Attorney, Agent, or Firm*—Brian M. Carpenter

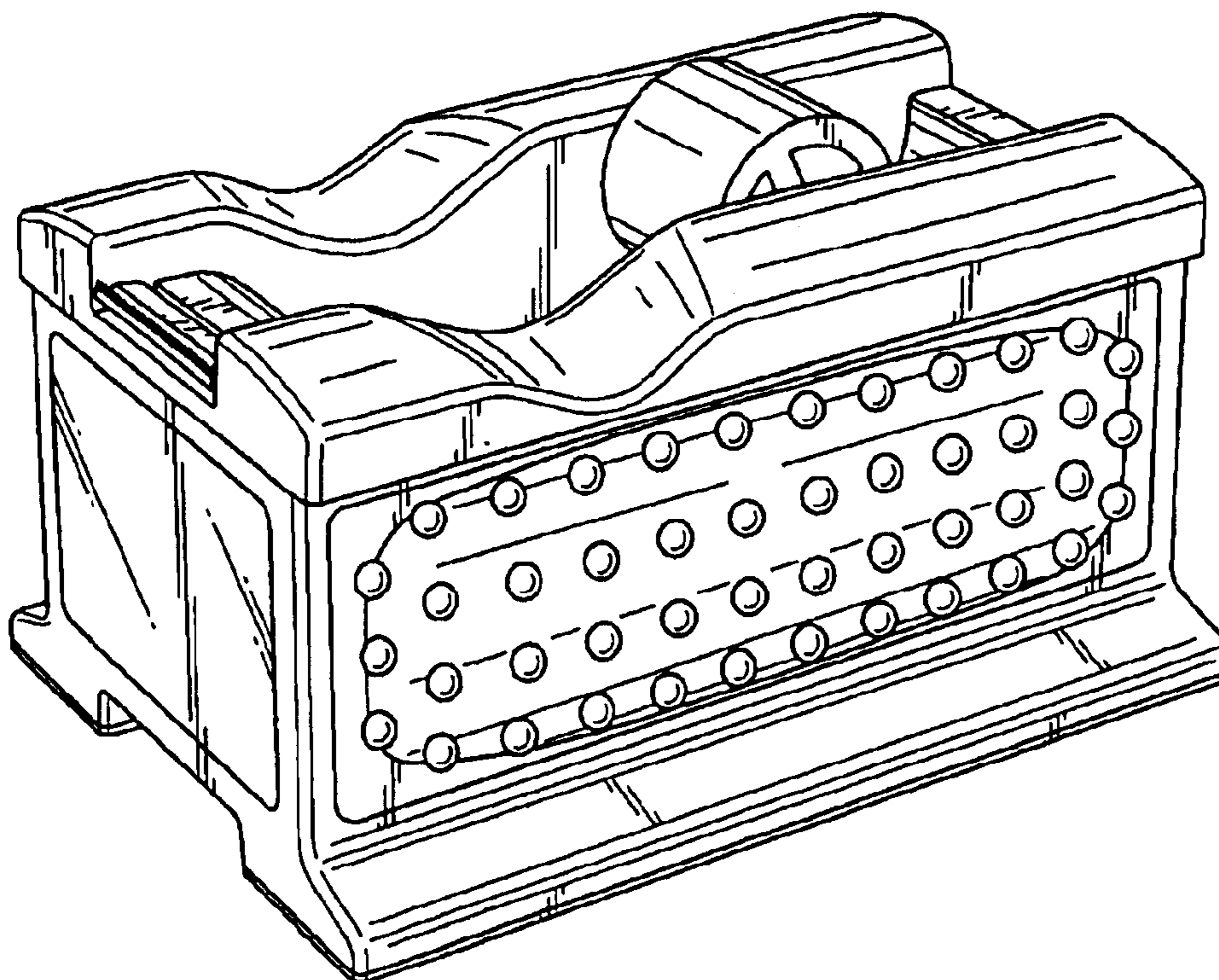
(57) **CLAIM**

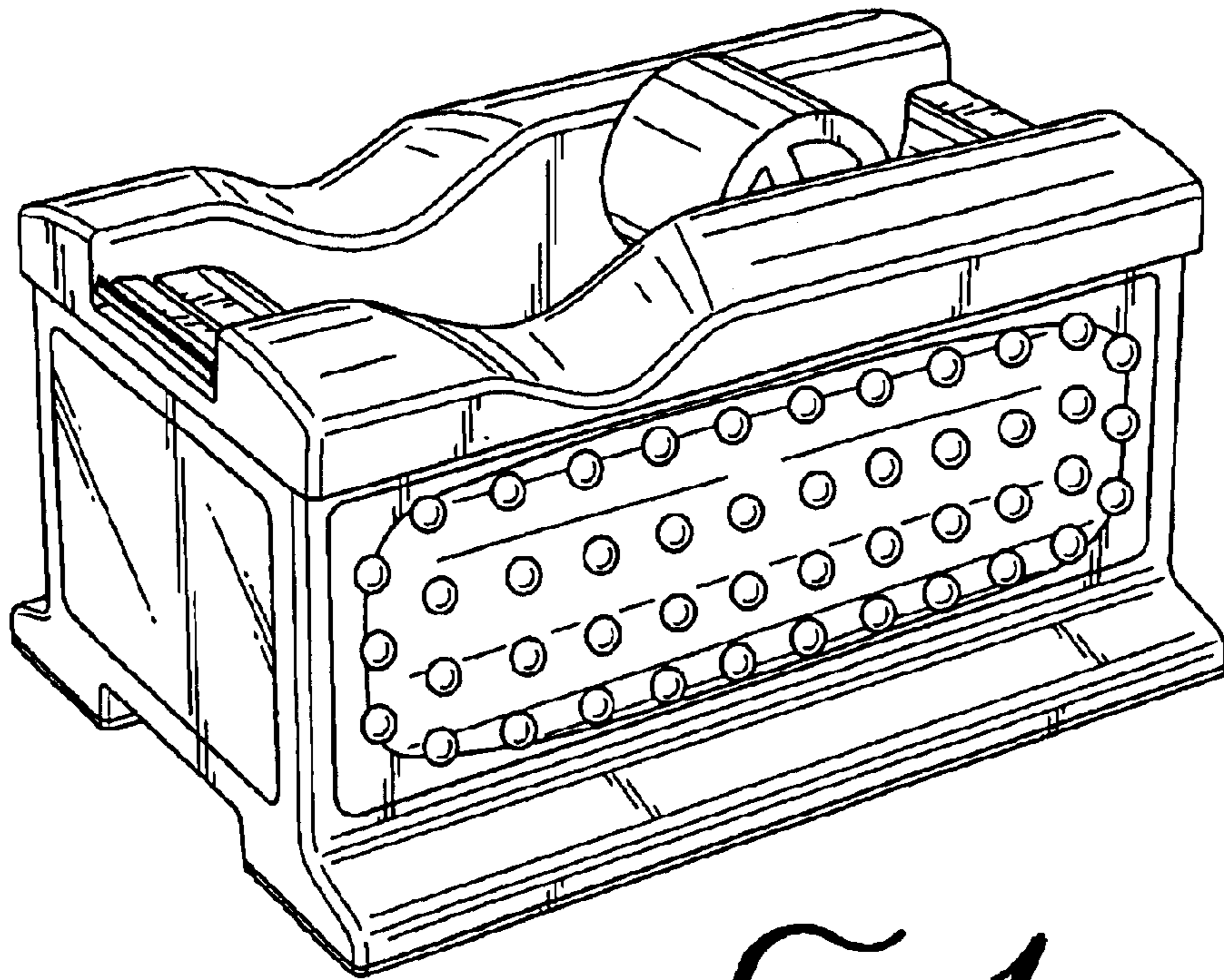
The ornamental design for a tape dispenser, as shown and described.

**DESCRIPTION**

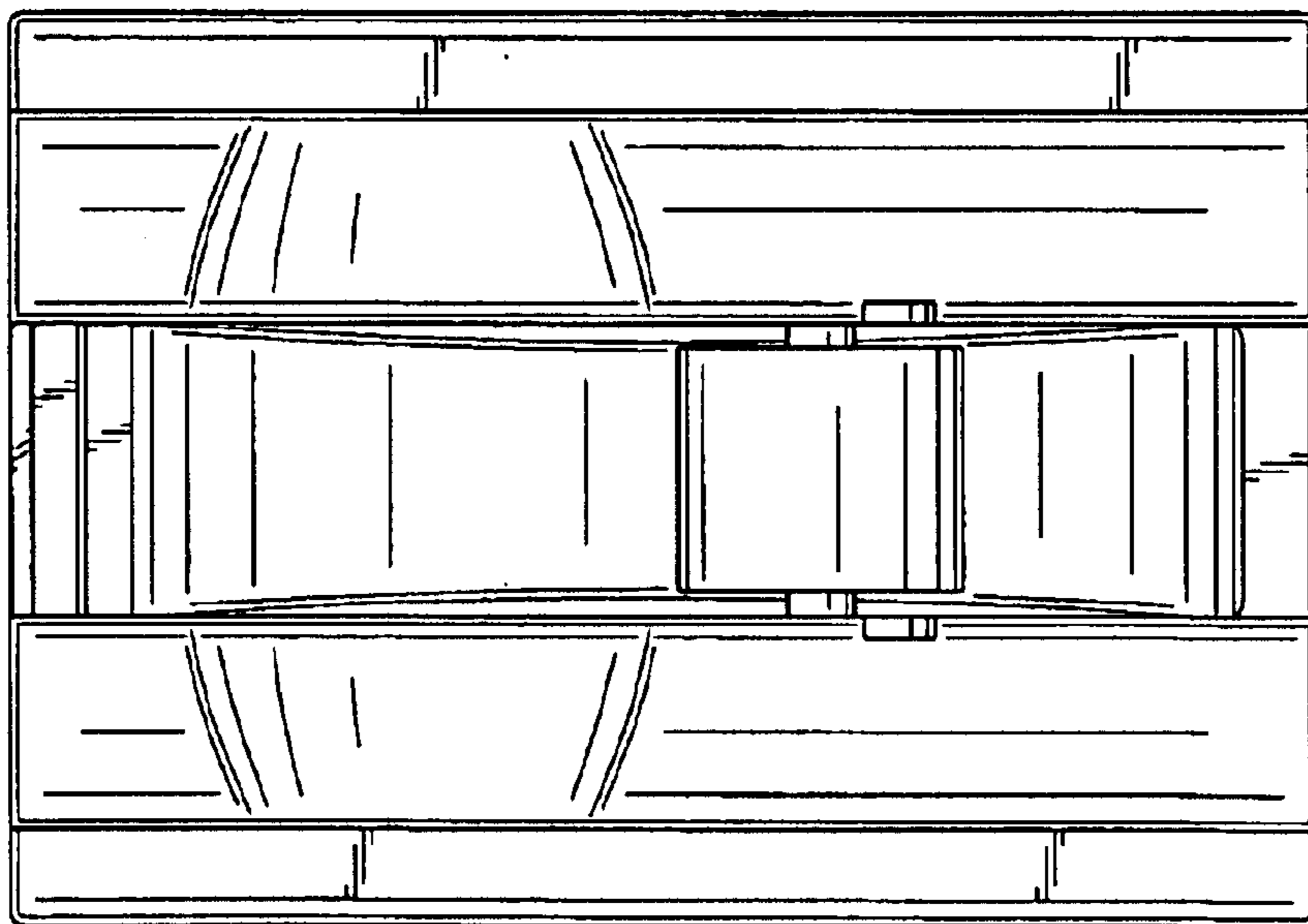
FIG. 1 is a perspective view of a tape dispenser; FIG. 2 is a top plan view of the tape dispenser of FIG. 1; FIG. 3 is a left side elevational view of the tape dispenser of FIG. 1, the right side elevational view being a mirror image of the left side elevational view; FIG. 4 is a rear elevational view of the tape dispenser of FIG. 1; FIG. 5 is a front elevational view of the tape dispenser of FIG. 1; the rear side elevational view being a mirror image of the front side elevational view; and, FIG. 6 is a bottom plan view of the tape dispenser of FIG. 1.

**1 Claim, 3 Drawing Sheets**

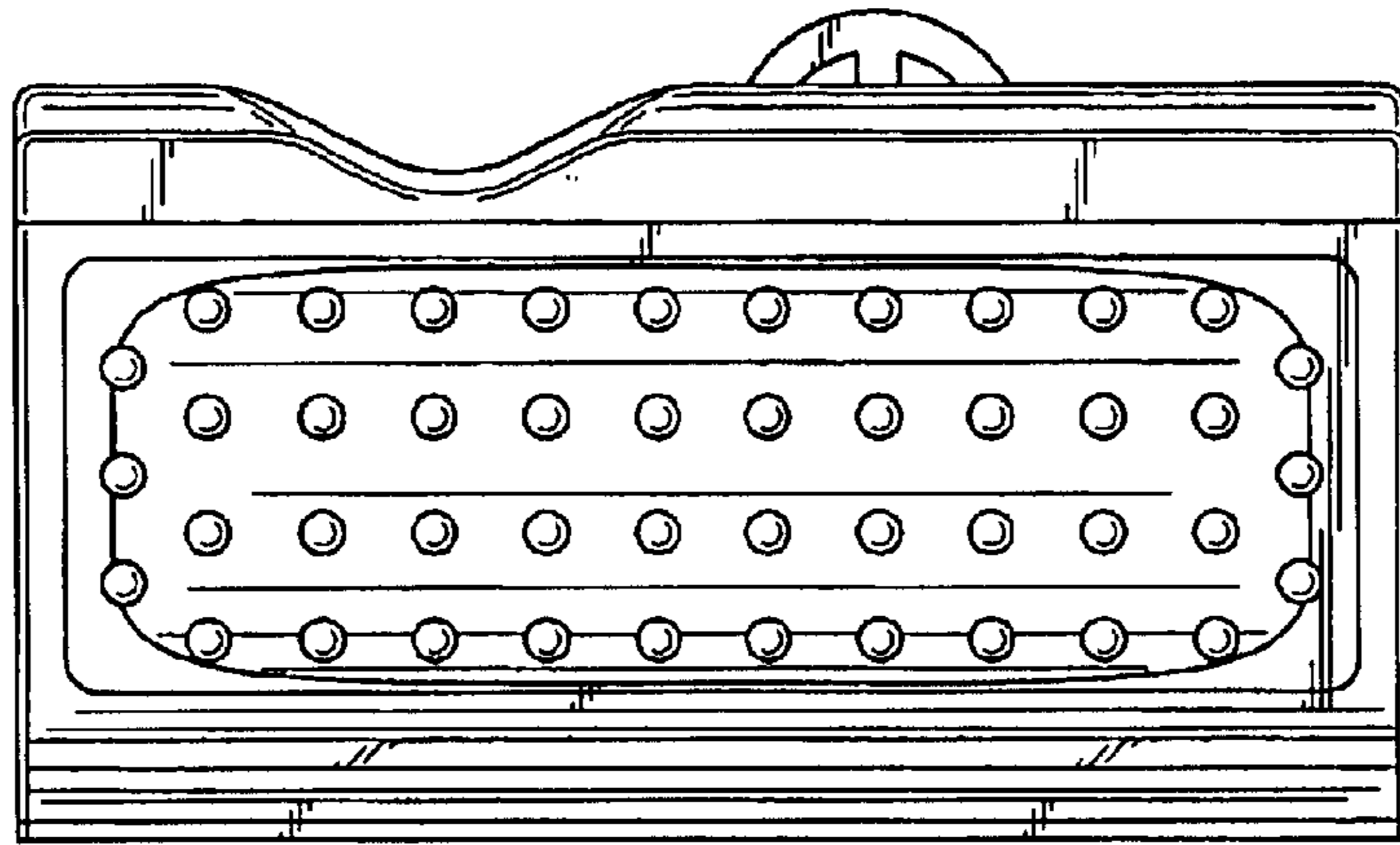




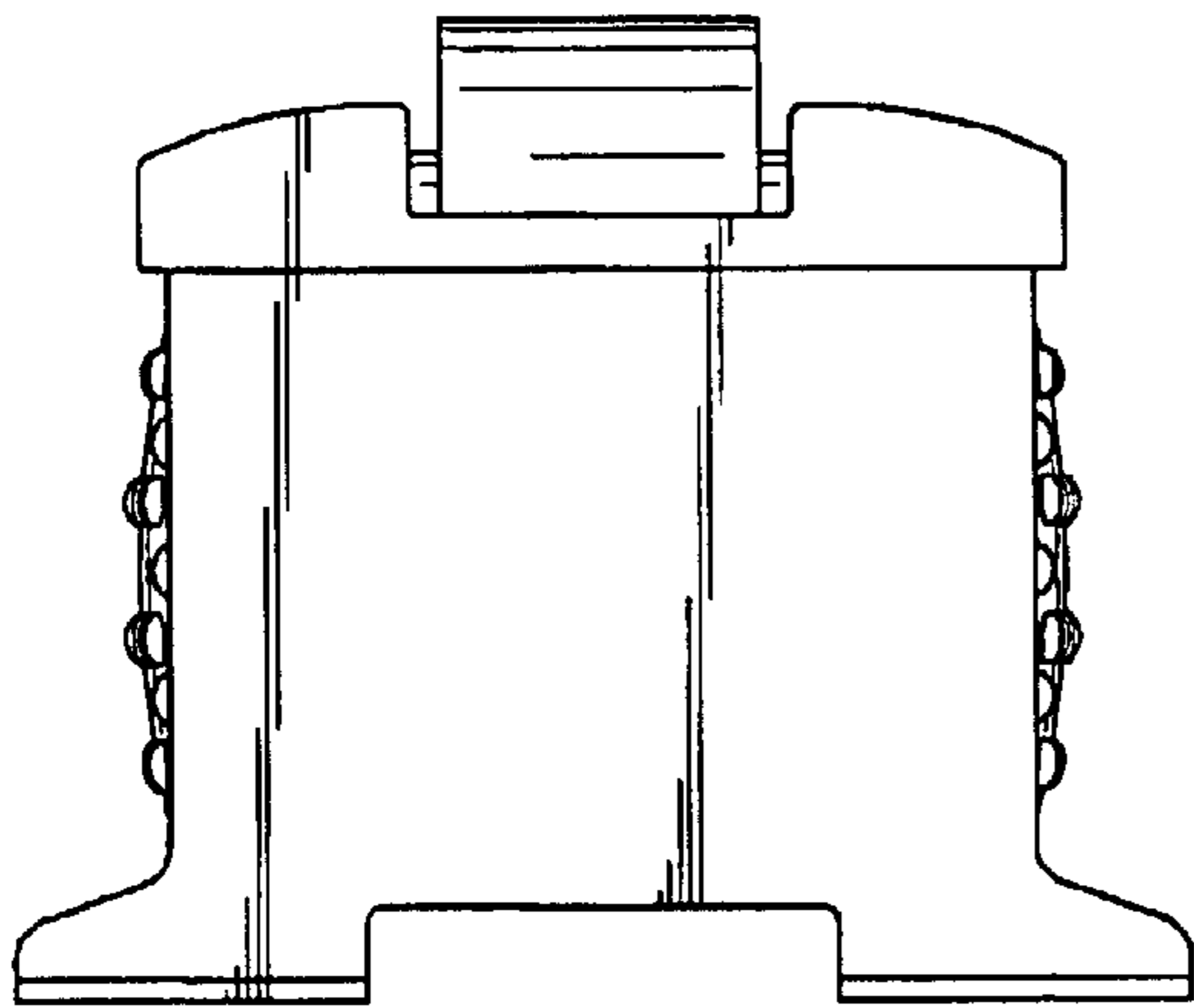
*FIG. 1*



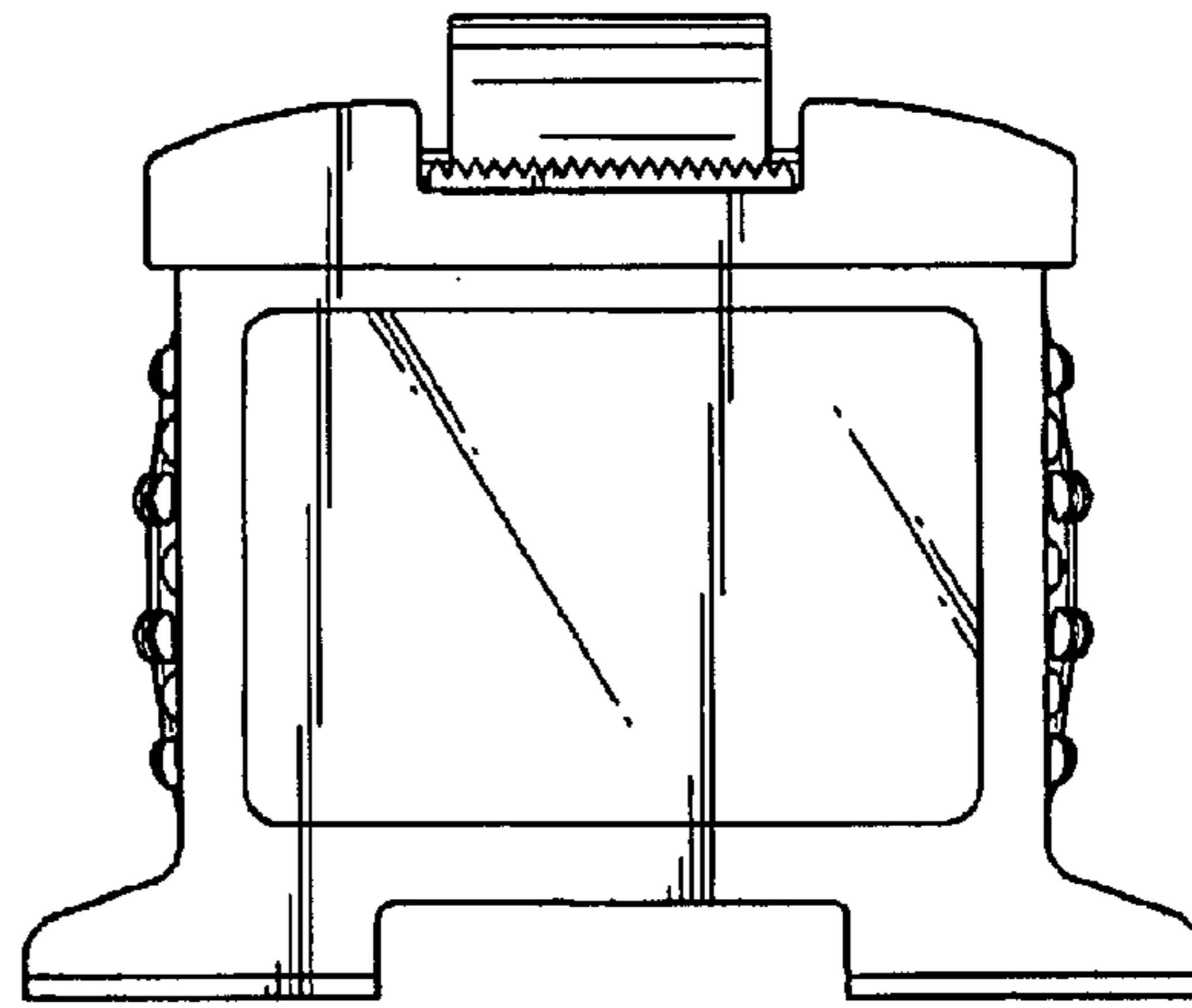
*FIG. 2*



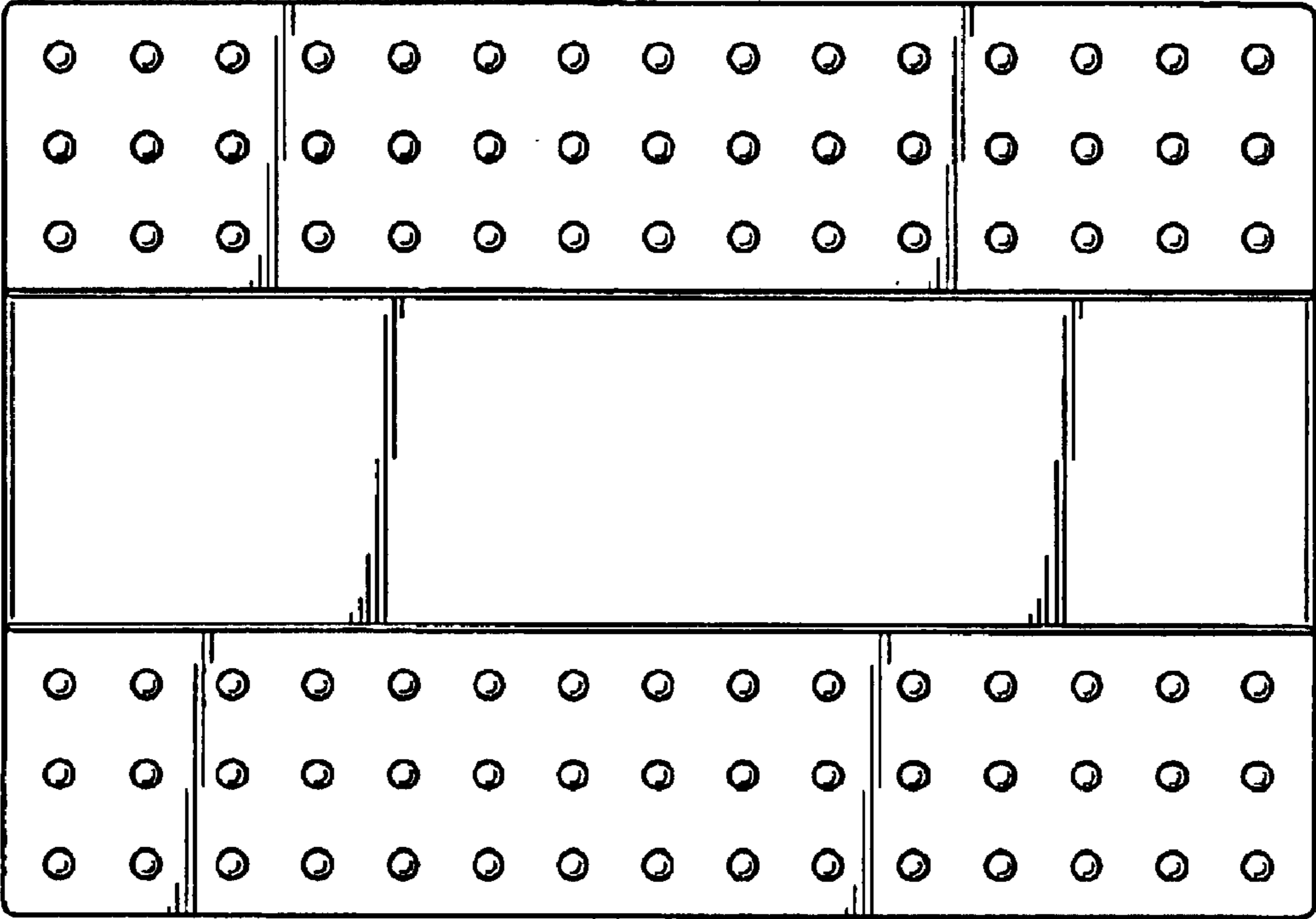
*FIG. 3*



*FIG. 4*



*FIG. 5*



*FIG. 6*