

US00D498251S

(12) **United States Design Patent**
Invencio

(10) **Patent No.:** **US D498,251 S**
(45) **Date of Patent:** **** Nov. 9, 2004**

(54) **FLEXIBLE CAMERA MOUNTING DEVICE**
(76) **Inventor:** **Antonio G Invencio**, 18106 Northwest
Fwy. Suite H-3, Houston, TX (US)
77065-4554

6,115,068 A 9/2000 Ariga et al. 348/373
6,244,759 B1 6/2001 Russo 396/428
D451,939 S 12/2001 Roh D16/202
6,411,332 B1 6/2002 Whitby et al. 348/376
6,437,826 B1 8/2002 Arnold 348/373

(**) **Term:** **14 Years**

* cited by examiner

(21) **Appl. No.:** **29/181,090**

Primary Examiner—Adir Aronovich
(74) *Attorney, Agent, or Firm*—Goldstein Law Offices, P.C.

(22) **Filed:** **May 3, 2003**

(57) **CLAIM**

(51) **LOC (7) Cl.** **16-05**
(52) **U.S. Cl.** **D16/242**
(58) **Field of Search** D16/237, 242,
D16/243; 224/265, 270, 908; 248/187.1;
348/373–376; 352/243; 396/419, 420, 421,
422, 427, 428

The ornamental design for a flexible camera mounting device, as shown and described.

DESCRIPTION

(56) **References Cited**

U.S. PATENT DOCUMENTS

D74,984 S	*	4/1928	Myers	D26/140
1,790,500 A		1/1931	Fischer		
2,510,198 A		6/1950	Tesmer	248/226
4,963,903 A		10/1990	Cane	354/81
5,305,034 A	*	4/1994	Aratani	224/265
D362,008 S	*	9/1995	McCumber	D16/242
5,664,750 A		9/1997	Cohen	248/231.71
D394,669 S		5/1998	Becker et al.	D16/242
5,749,010 A	*	5/1998	McCumber	396/420
D403,338 S		12/1998	Dunn	D16/131
D411,220 S		6/1999	Surabian	D16/242

FIG. 1 is a perspective view of a flexible camera mounting device in full lines with a camera and wire shown in broken lines representing environmental association matter being for illustrative purposes only and forming no part of the claimed invention.

FIG. 2 is a perspective view of the flexible camera mounting device.

FIG. 3 is a right side elevational view thereof, the left side elevational view being a mirror image of the right side view.

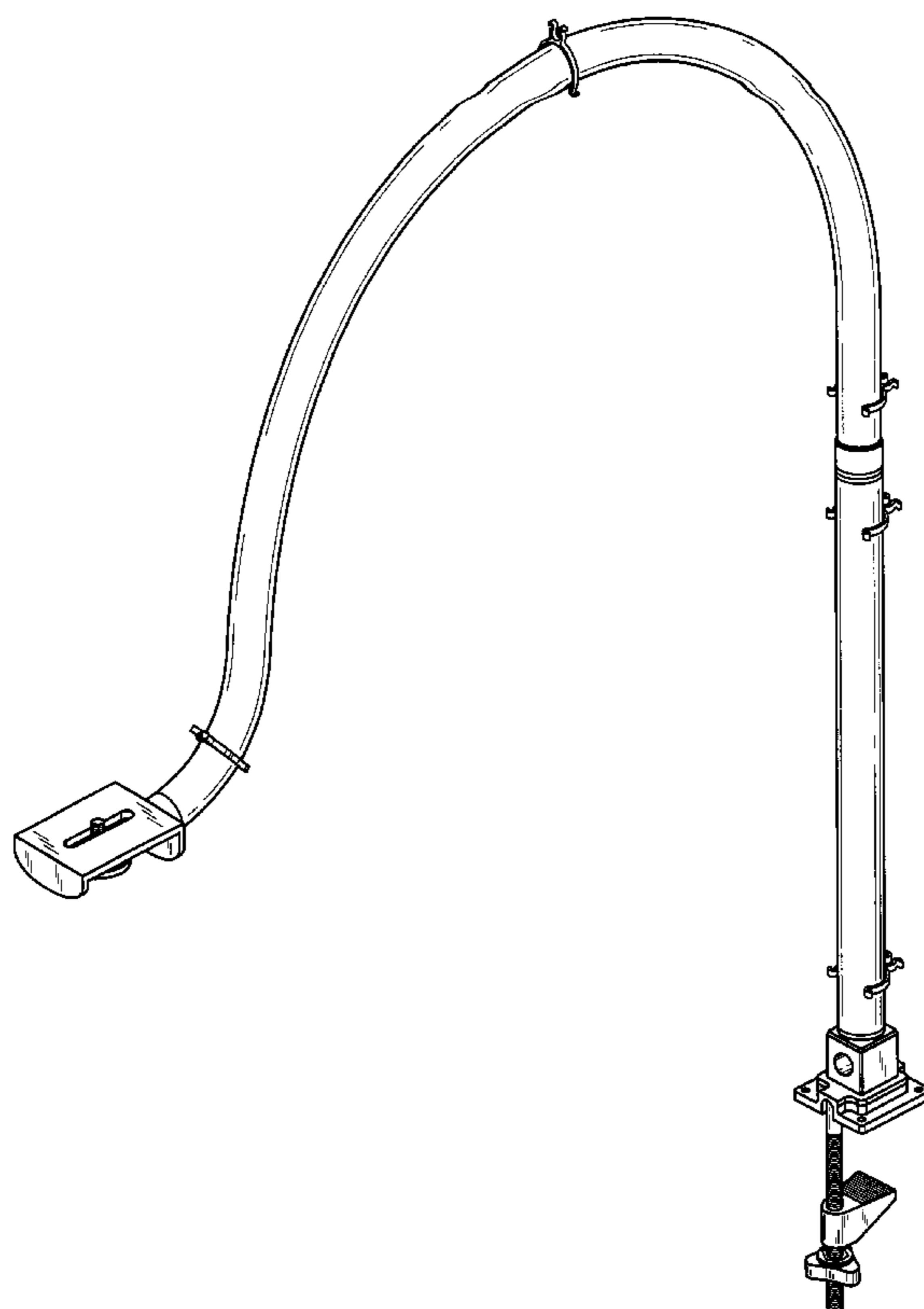
FIG. 4 is a front elevational view thereof.

FIG. 5 is a rear elevational view thereof.

FIG. 6 is a top plan view thereof; and,

FIG. 7 is a bottom plane view thereof.

1 Claim, 5 Drawing Sheets



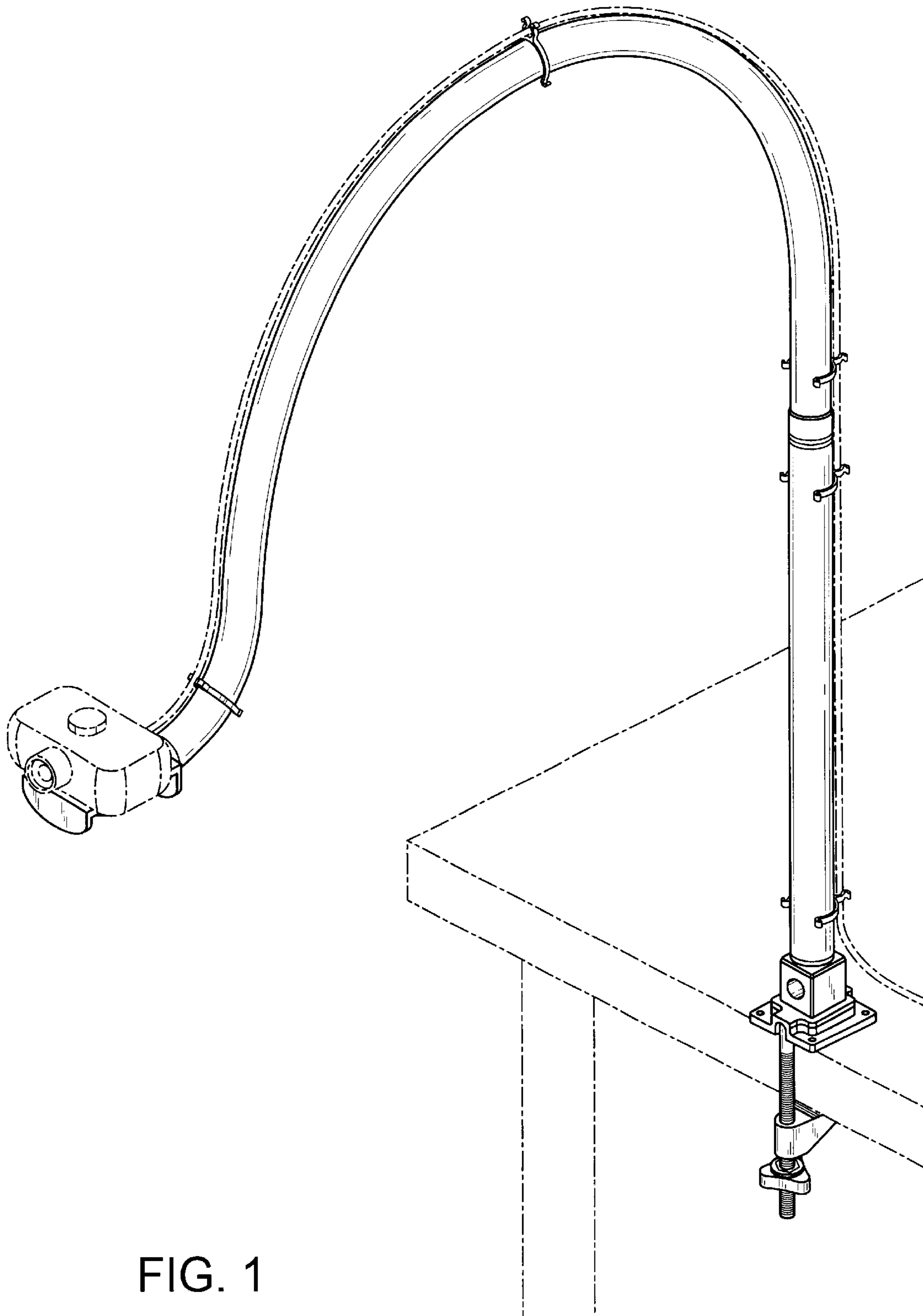


FIG. 1

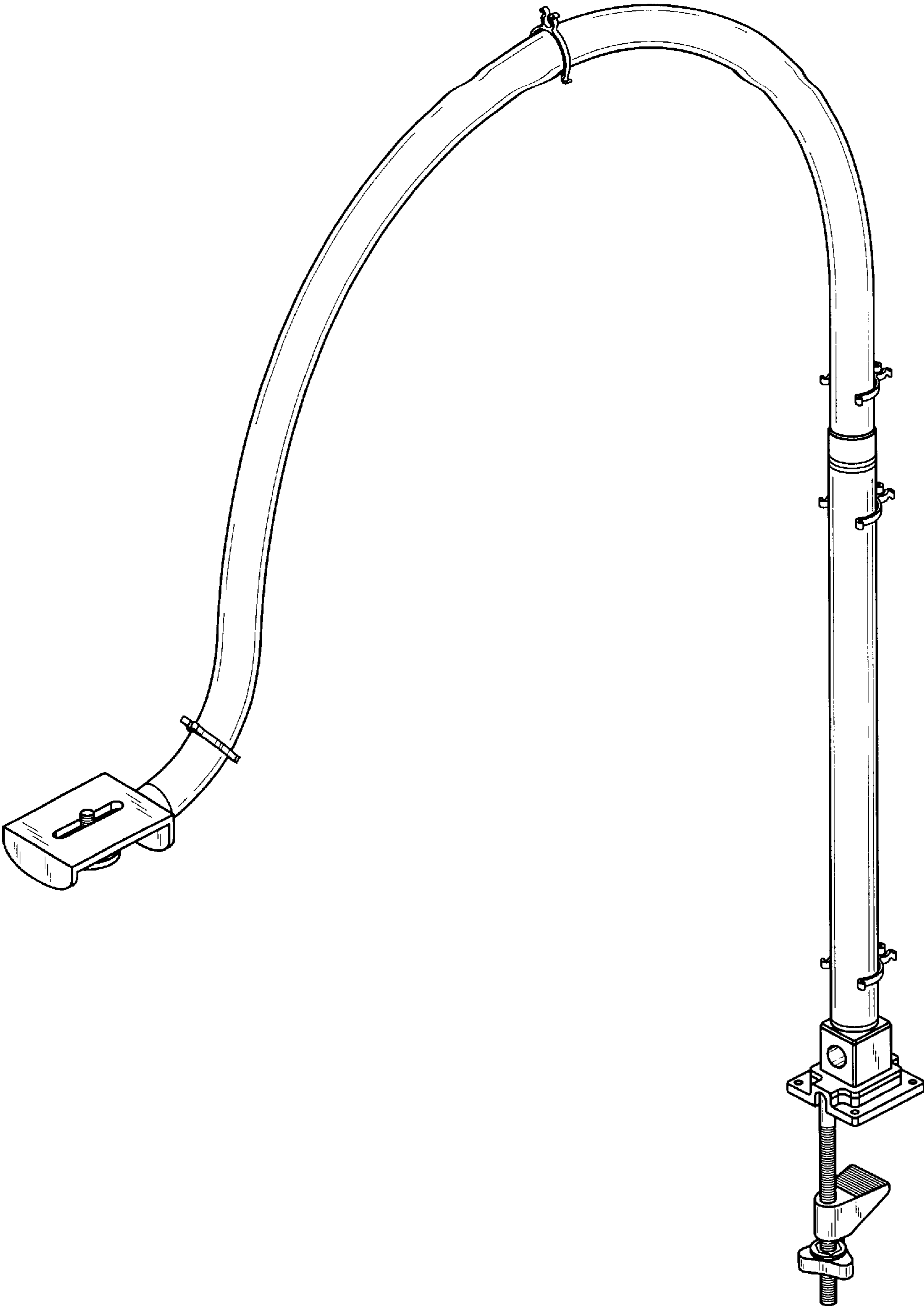


FIG. 2

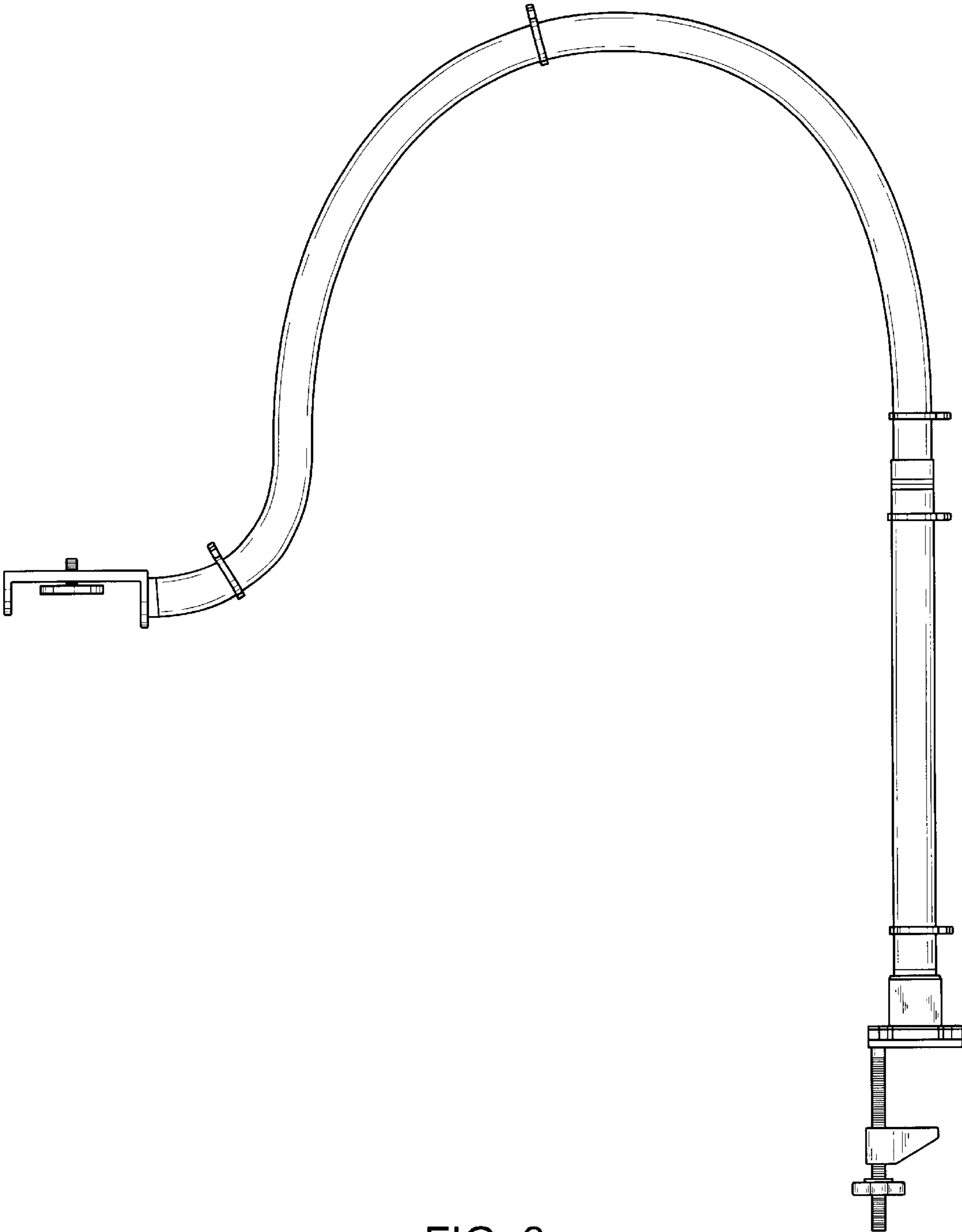


FIG. 3

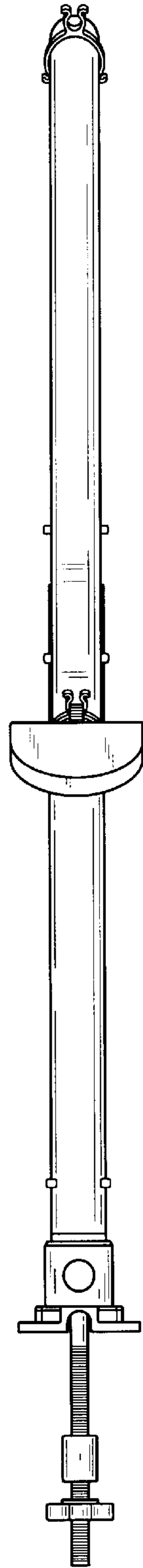


FIG. 4

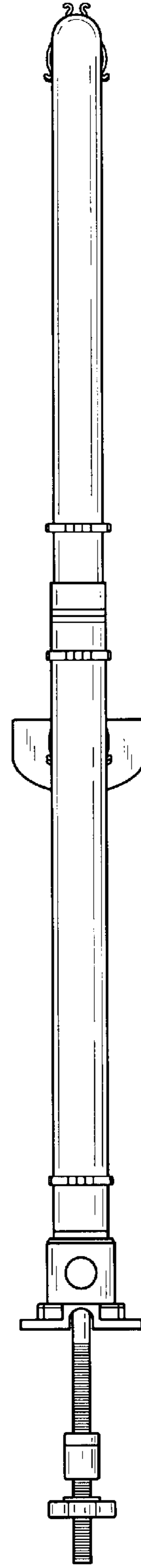


FIG. 5

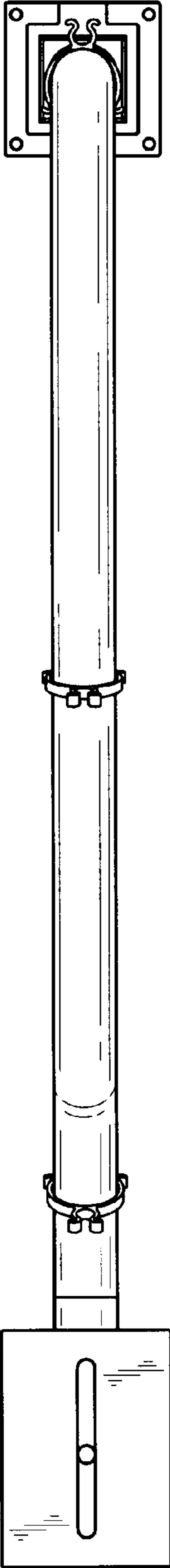


FIG. 6

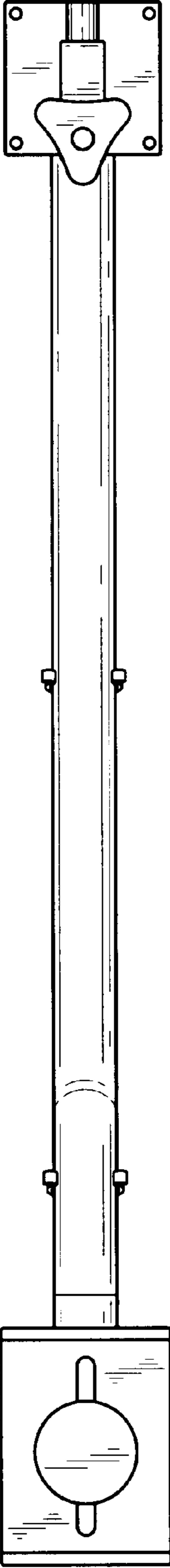


FIG. 7