

US00D498247S

(12) **United States Design Patent**  
**Suzuki et al.**

(10) **Patent No.: US D498,247 S**  
(45) **Date of Patent: \*\* Nov. 9, 2004**

(54) **ILLUMINATING STAND FOR MICROSCOPE**

**FOREIGN PATENT DOCUMENTS**

(75) Inventors: **Koji Suzuki**, Hachioji (JP); **Masahito Tonooka**, Hino (JP); **Kaori Sugawara**, Hachioji (JP)

JP	804458	1/1991
JP	804457-1	1/1991
JP	804457-2	1/1991
JP	804457	1/1996

(73) Assignee: **Olympus Corporation**, Tokyo (JP)

**OTHER PUBLICATIONS**

(\*\*) Term: **14 Years**

Leica Catalog of a Stereomicroscope (LEICA GZ6), Published 1996.

(21) Appl. No.: **29/196,008**

\* cited by examiner

(22) Filed: **Dec. 19, 2003**

*Primary Examiner*—Paula A. Greene

(30) **Foreign Application Priority Data**

(74) *Attorney, Agent, or Firm*—Hogan & Hartson LLP

Jun. 27, 2003 (JP) ..... 2003-18501

(57) **CLAIM**

(51) **LOC (7) Cl.** ..... **16-06**

The ornamental design for an illuminating stand for microscope, as shown and described.

(52) **U.S. Cl.** ..... **D16/131**

(58) **Field of Search** ..... D16/130, 131;  
359/368, 376, 377, 378, 375, 387, 388,  
382, 383, 385, 381, 390, 389

**DESCRIPTION**

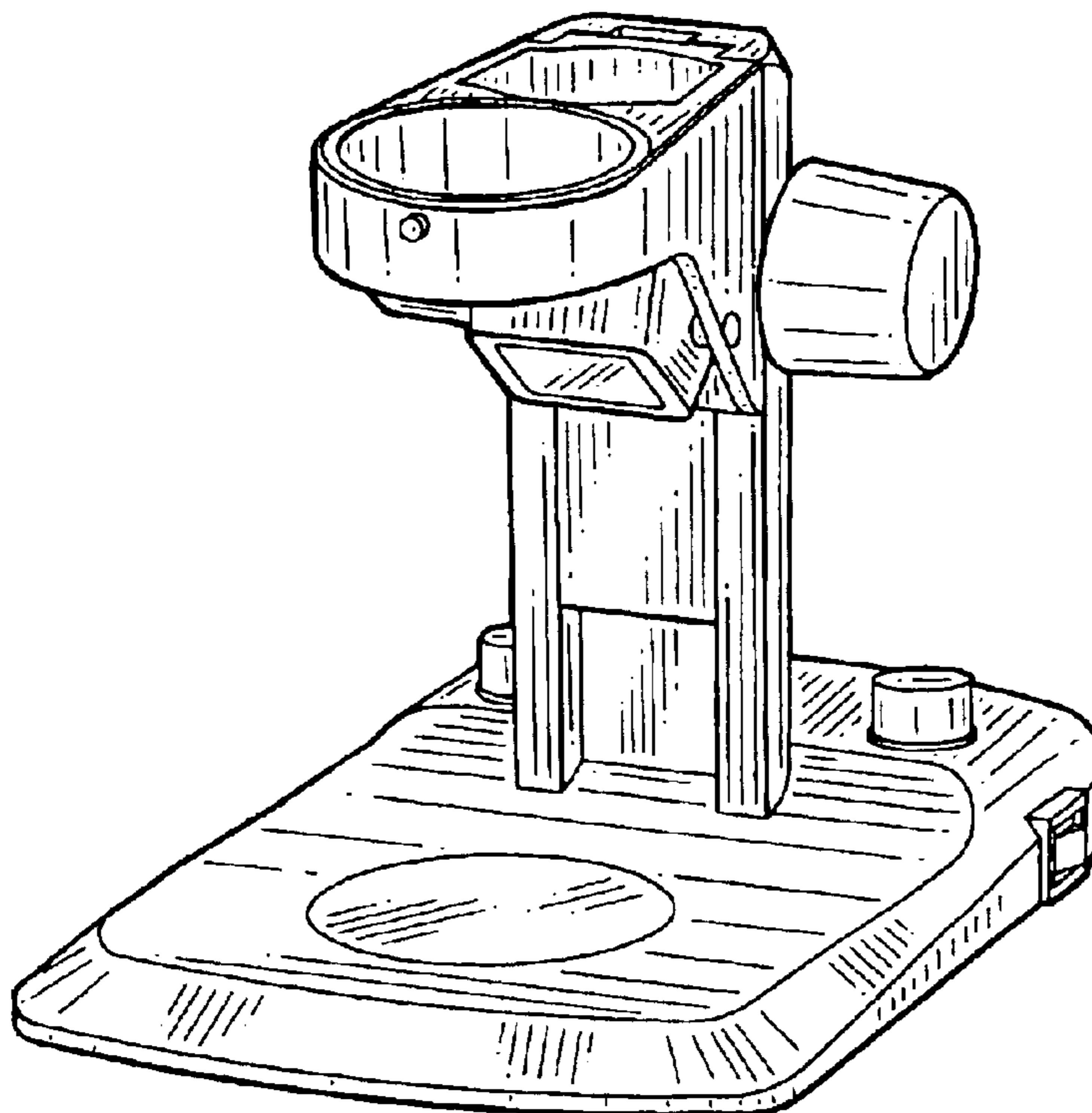
(56) **References Cited**

FIG. 1 is a perspective view of an illuminating stand for microscope, showing our new design;  
FIG. 2 is a front elevational view thereof;  
FIG. 3 is a rear elevational view thereof;  
FIG. 4 is a top plan view thereof;  
FIG. 5 is a bottom plan view thereof;  
FIG. 6 is a right side elevational view thereof; and,  
FIG. 7 is a left side elevational view thereof.

**U.S. PATENT DOCUMENTS**

D260,402 S	*	8/1981	Hodgson	.....	D16/131
4,284,327 A	*	8/1981	Kraft et al.	.....	359/388
D276,351 S	*	11/1984	Janke et al.	.....	D16/131
D290,129 S	*	6/1987	Kahute	.....	D16/131
D291,702 S	*	9/1987	Kahute	.....	D16/131
4,863,252 A	*	9/1989	McCarthy et al.	.....	359/376
D459,744 S		7/2002	Apotheloz		

**1 Claim, 4 Drawing Sheets**



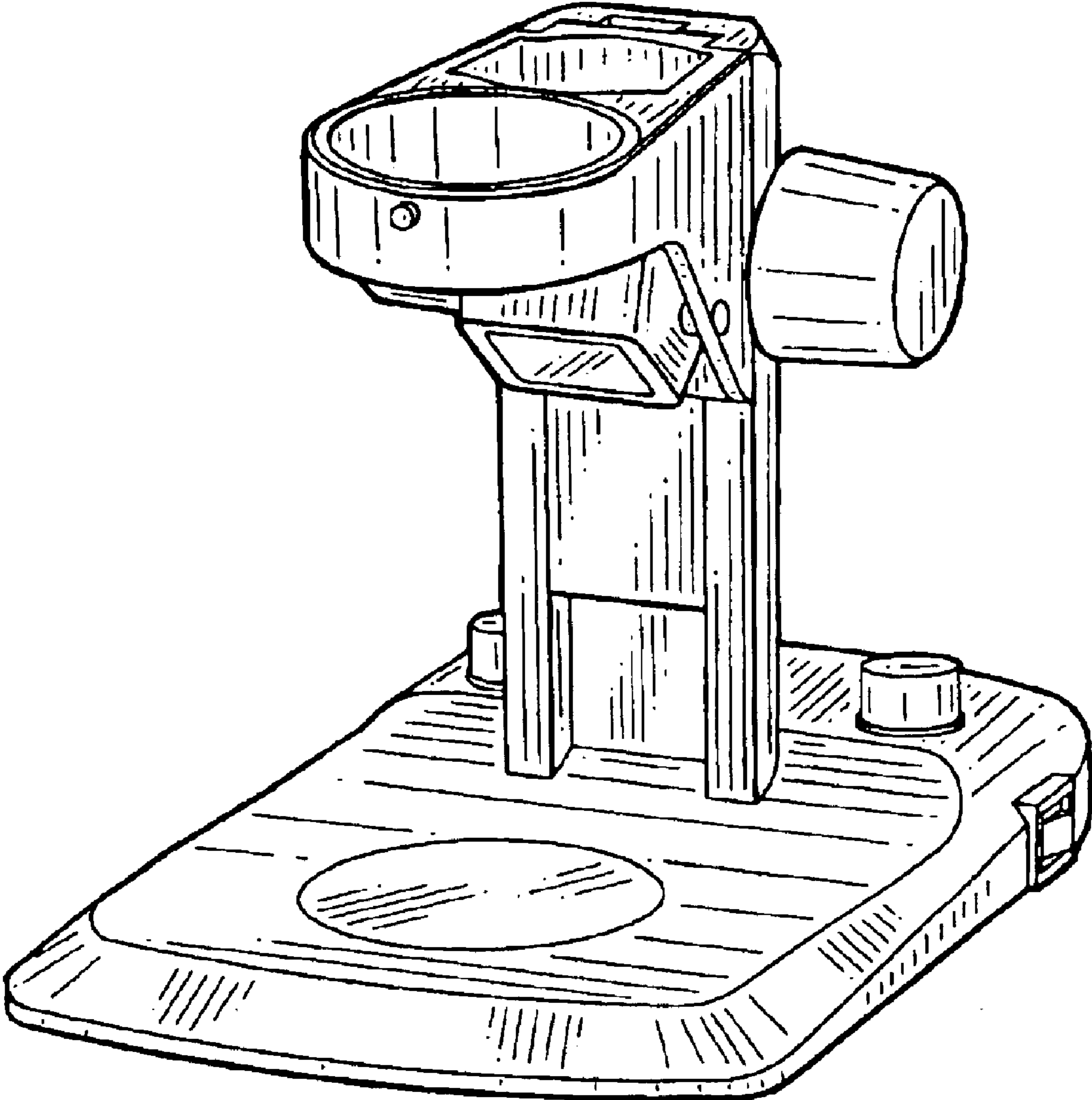


Fig. 1

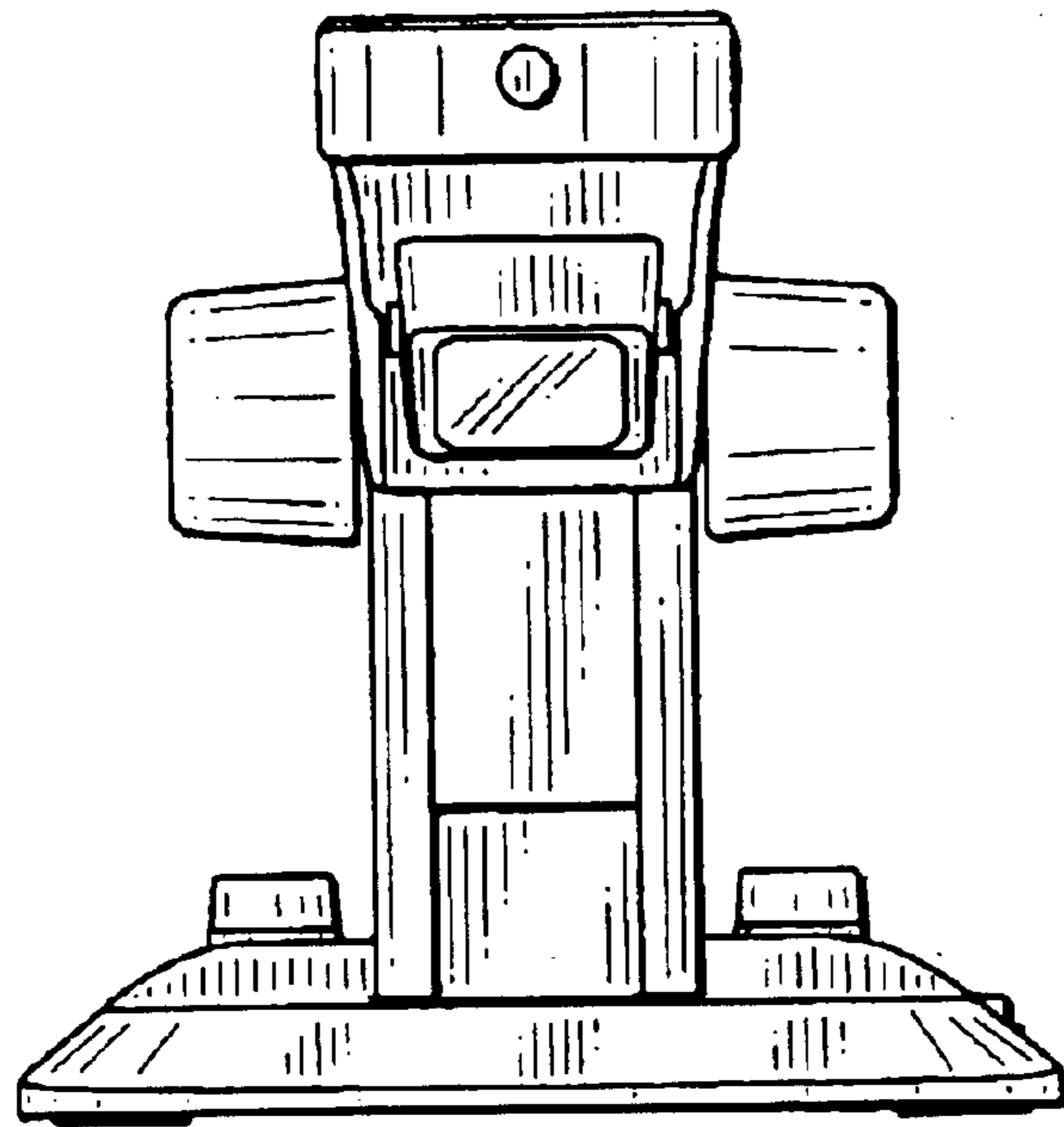


Fig. 2

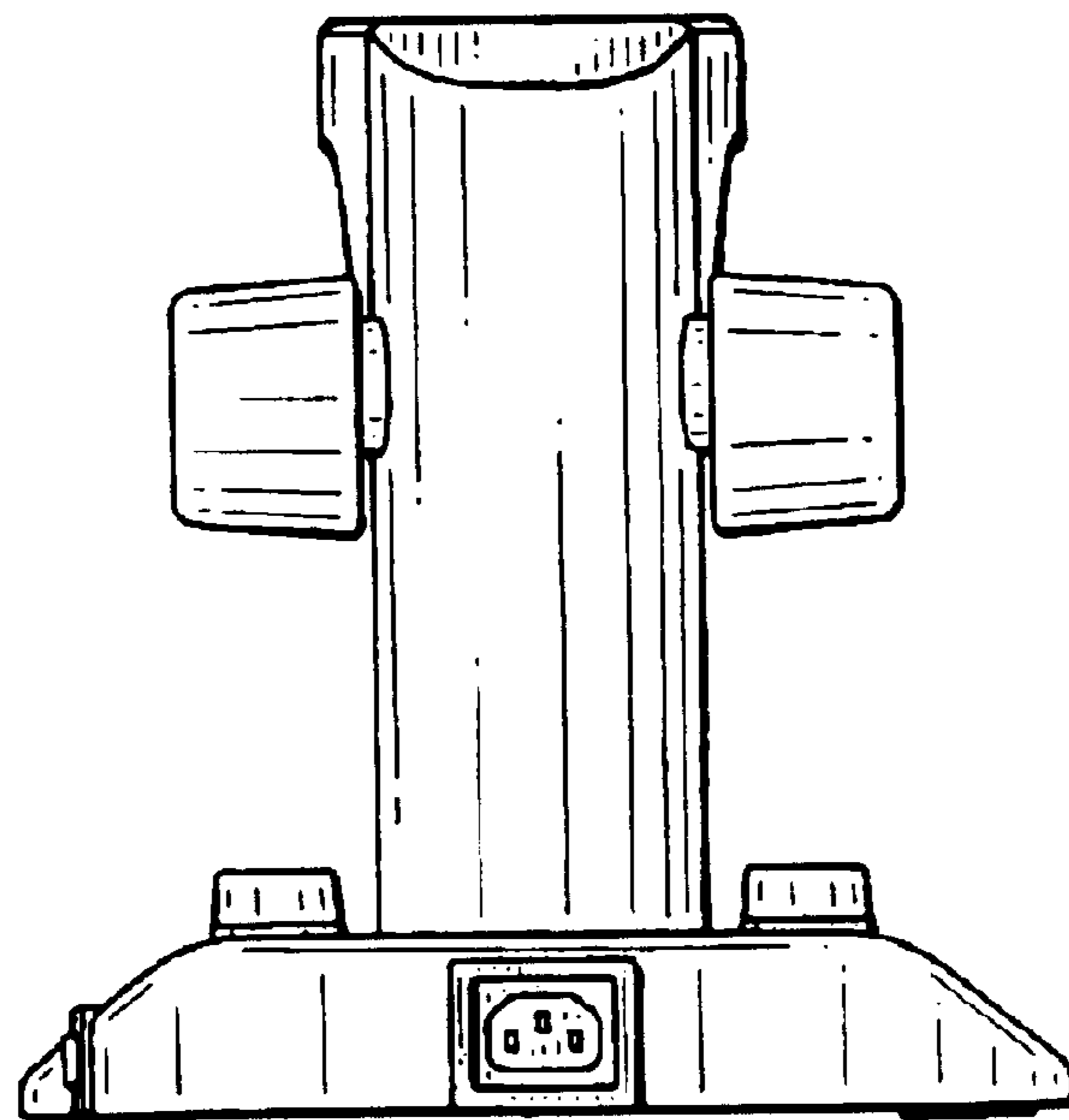


Fig. 3

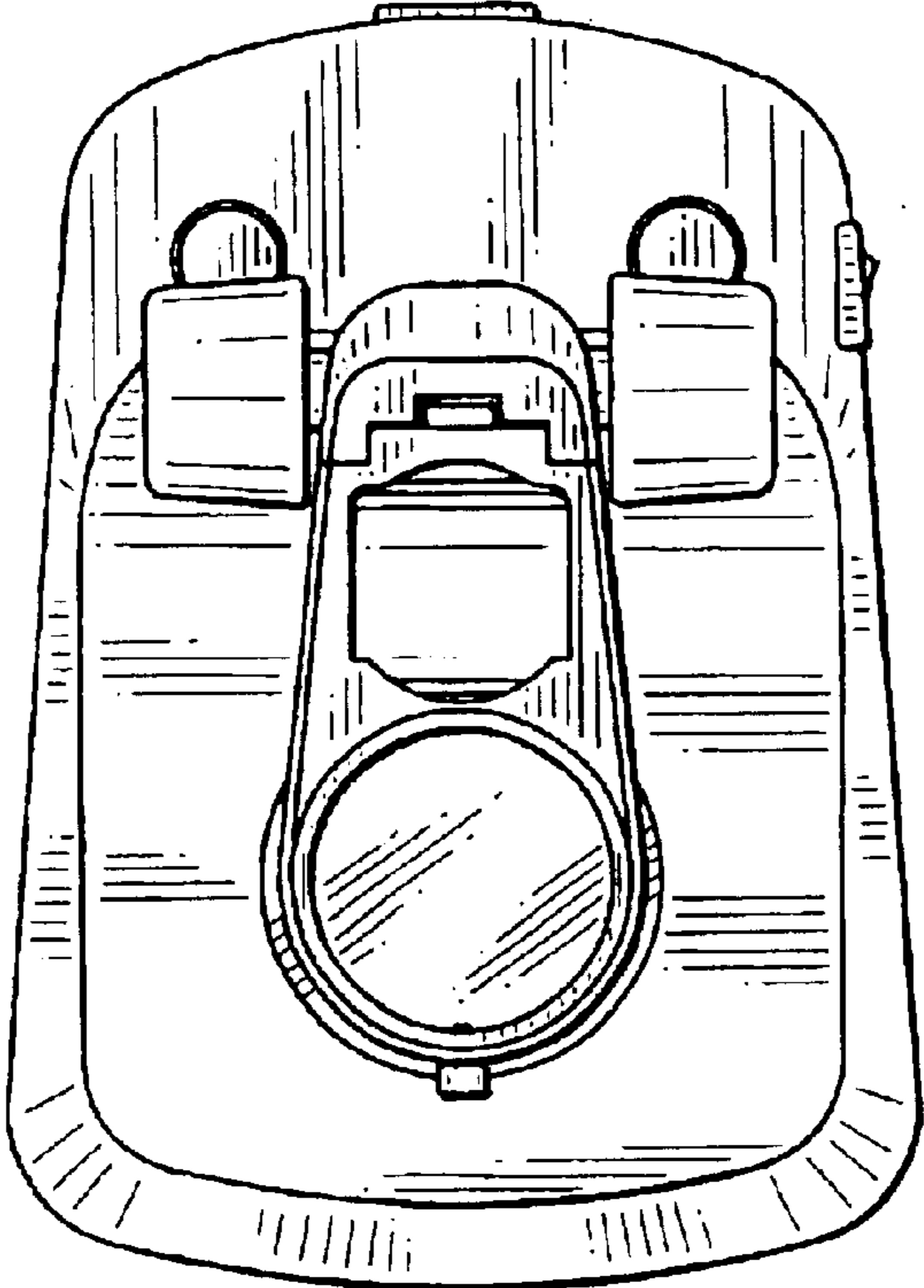


Fig. 4

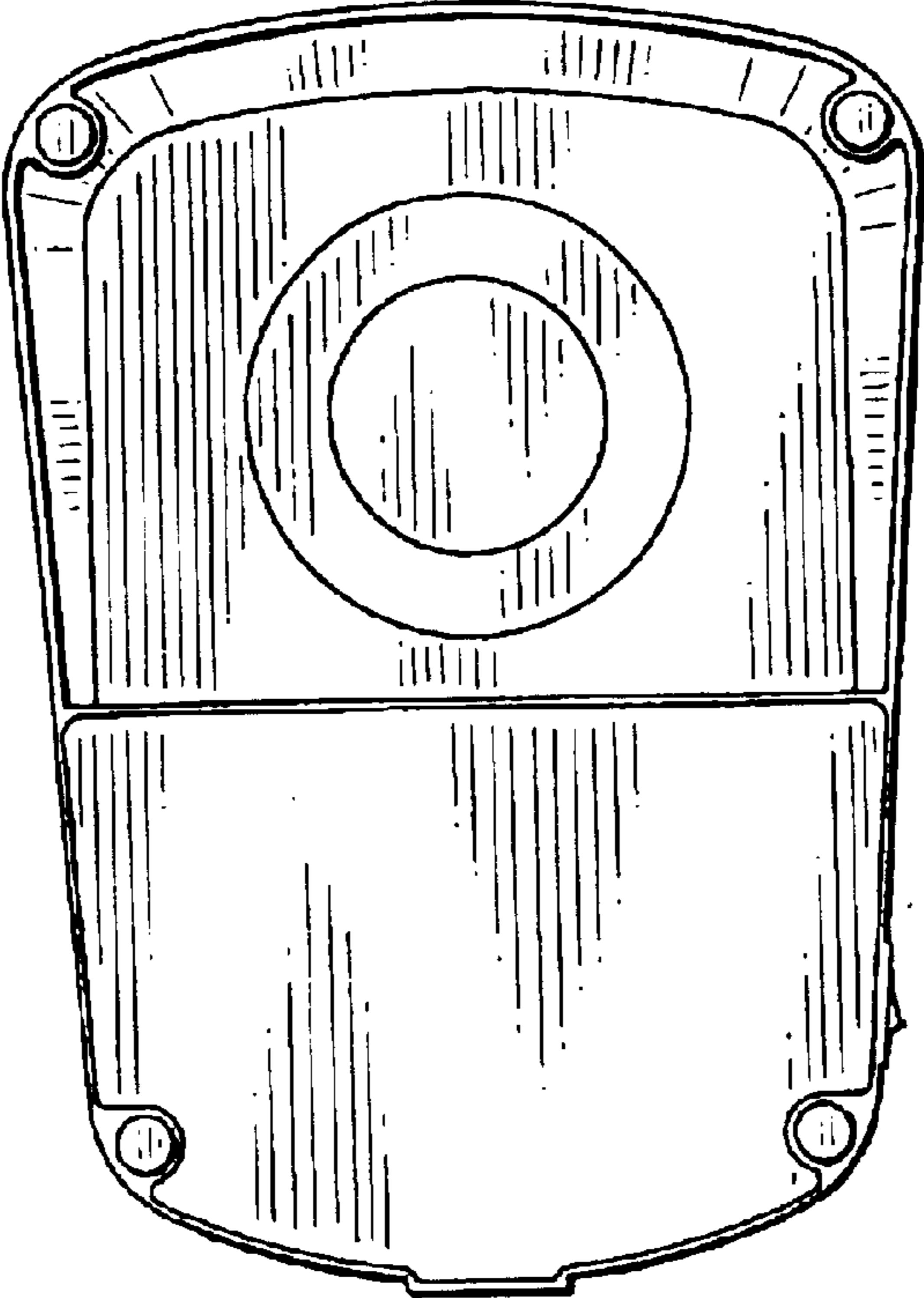


Fig. 5

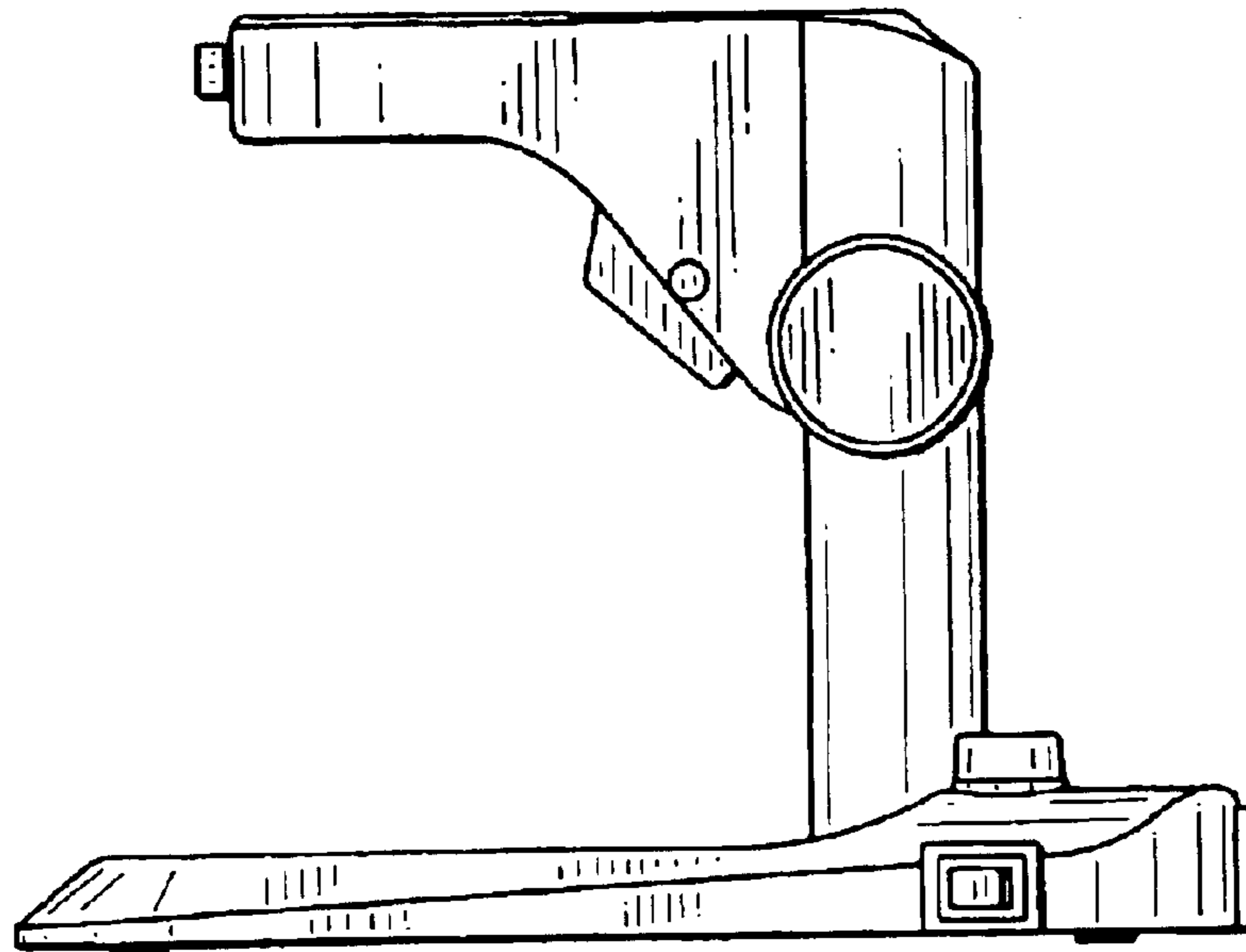


Fig. 6

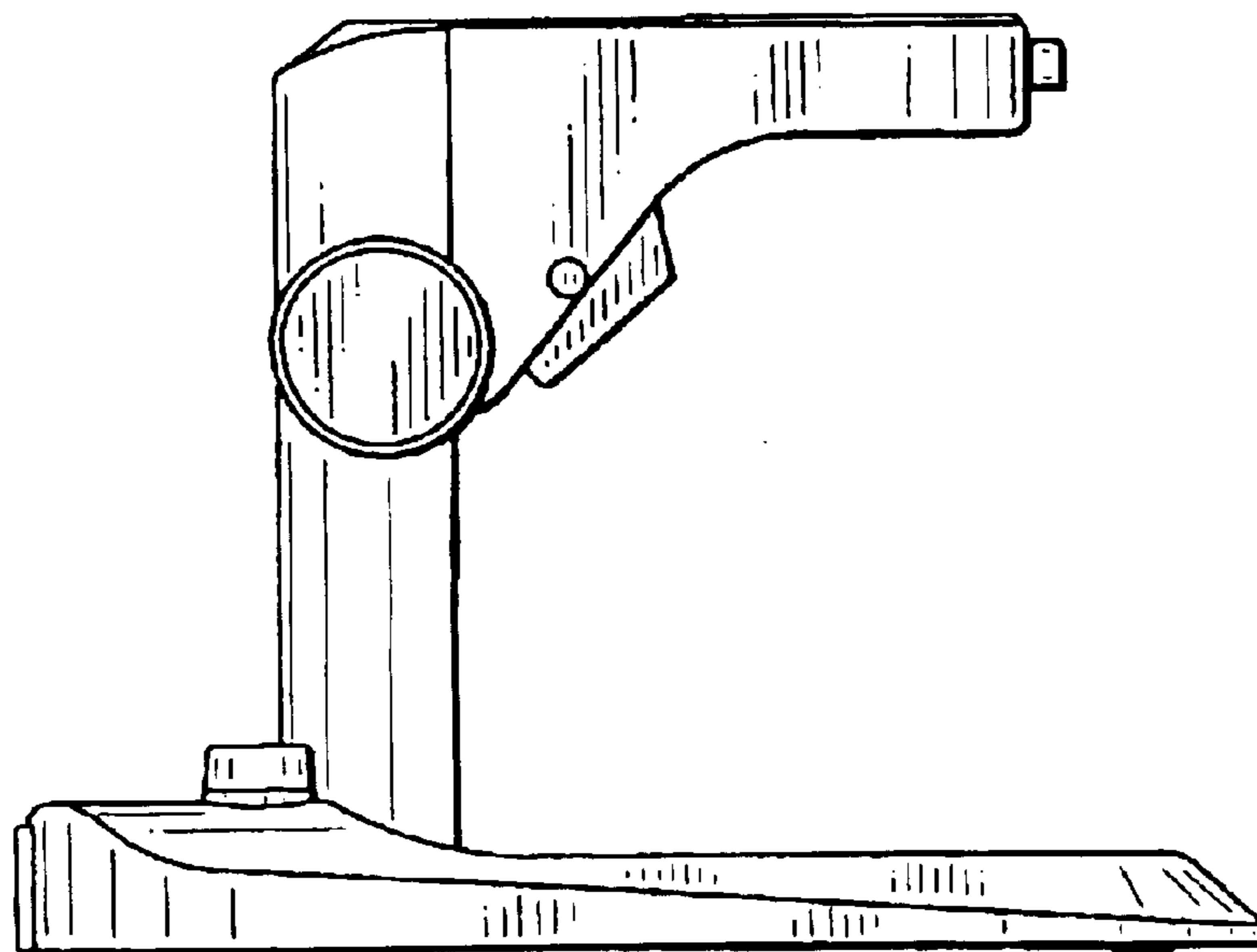


Fig. 7