



US00D498246S

(12) **United States Design Patent**
Colson, Jr.

(10) **Patent No.:** **US D498,246 S**

(45) **Date of Patent:** **** Nov. 9, 2004**

(54) **FITTING FOR PLASMA ARC TORCH**

(75) **Inventor:** **Dana F. Colson, Jr., Sharon, VT (US)**

(73) **Assignee:** **Tatras, Inc., Claremont, NH (US)**

(**) **Term:** **14 Years**

(21) **Appl. No.:** **29/191,127**

(22) **Filed:** **Oct. 1, 2003**

(51) **LOC (7) Cl.** **15-09**

(52) **U.S. Cl.** **D15/144**

(58) **Field of Search** **D15/144; 219/121.41,**
219/121.39, 121.49, 75

(56) **References Cited**

U.S. PATENT DOCUMENTS

D402,298 S * 12/1998 Hidaka D15/144

5,906,758 A * 5/1999 Severance, Jr. 219/121.5

* cited by examiner

Primary Examiner—Antoine D. Davis

(74) *Attorney, Agent, or Firm*—Warner Norcross & Judd

(57) **CLAIM**

The ornamental design for a fitting for plasma ARC torch, as shown and ddescribed.

DESCRIPTION

FIG. 1 is a perspective view of a cutting torch fitting showing my new design;

FIG. 2 is a front elevation view thereof;

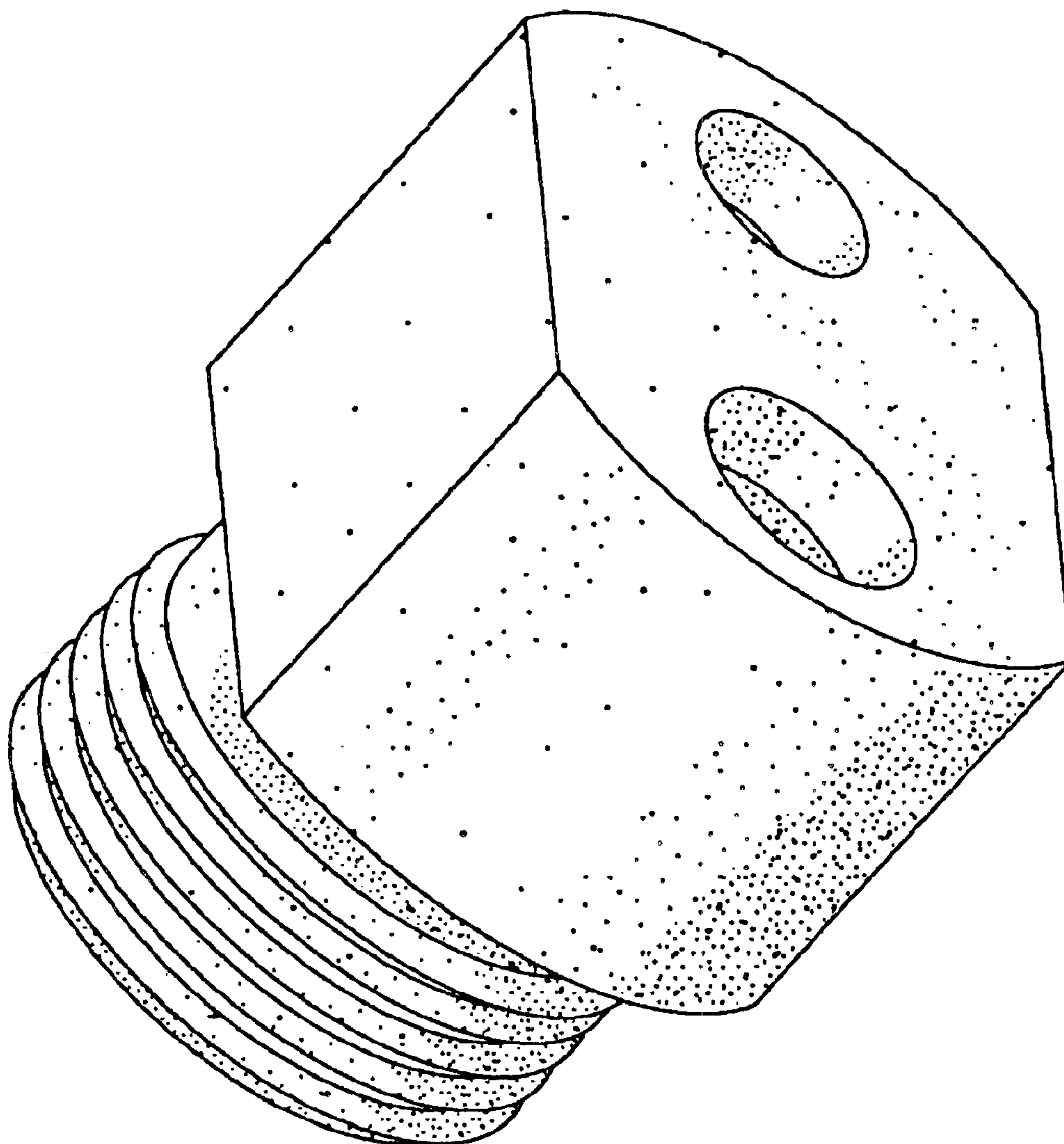
FIG. 3 is a top plan view thereof;

FIG. 4 is a right end elevation view thereof; and,

FIG. 5 is a left end elevation view thereof.

The rear elevation view is identical to the front elevation view, and the bottom plan view is identical to the top plan view.

1 Claim, 2 Drawing Sheets



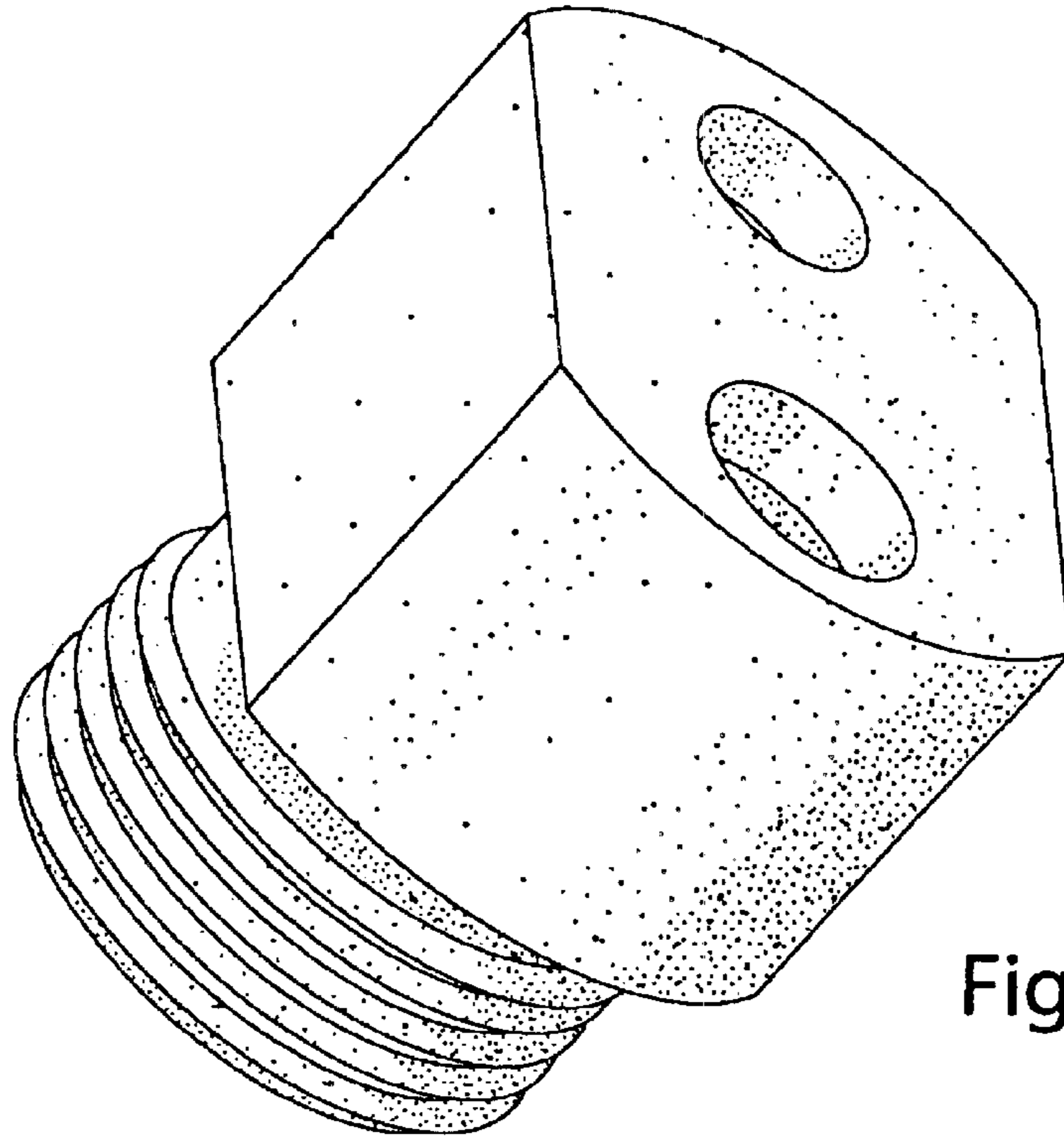


Fig. 1

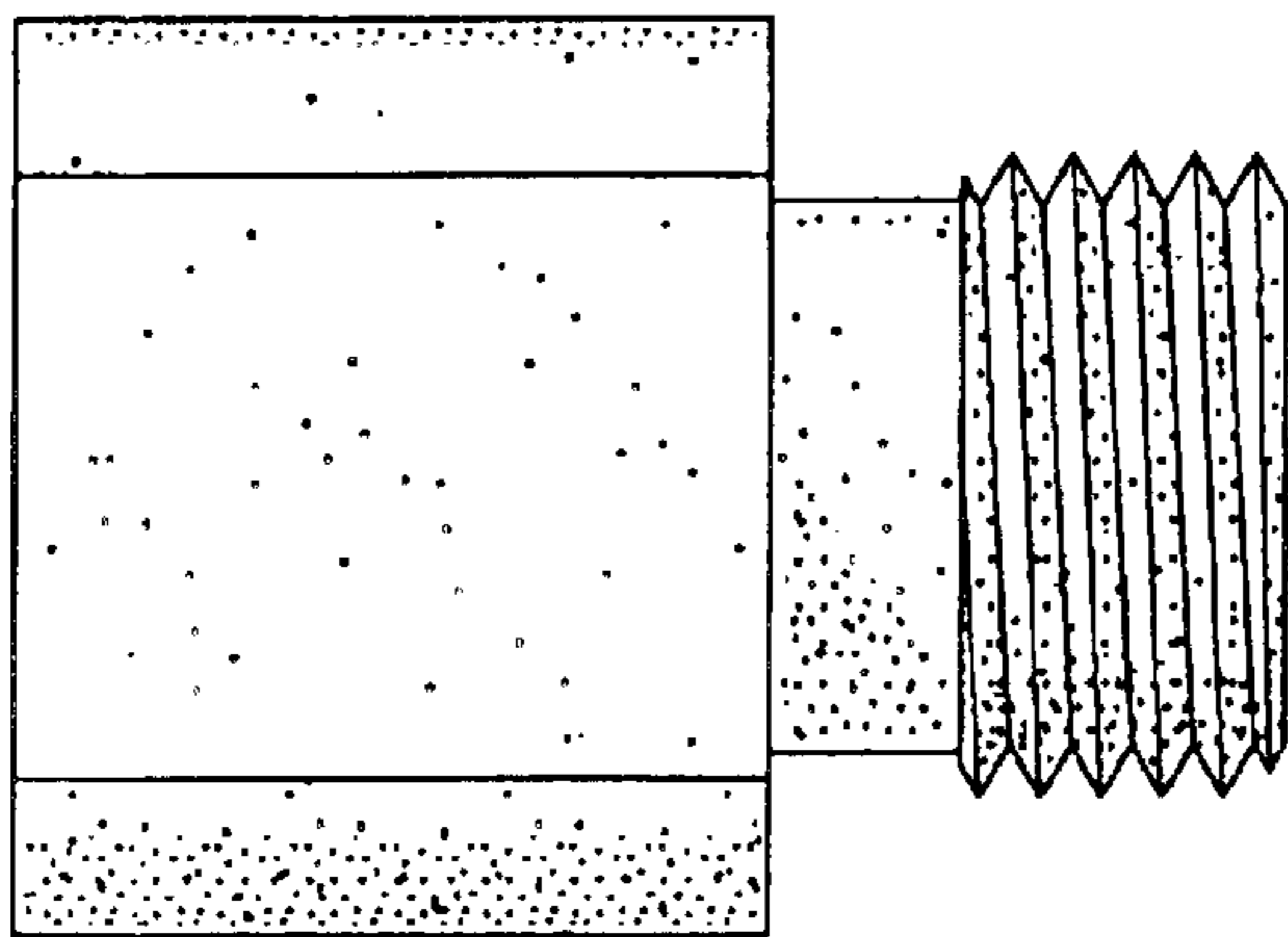


Fig. 2

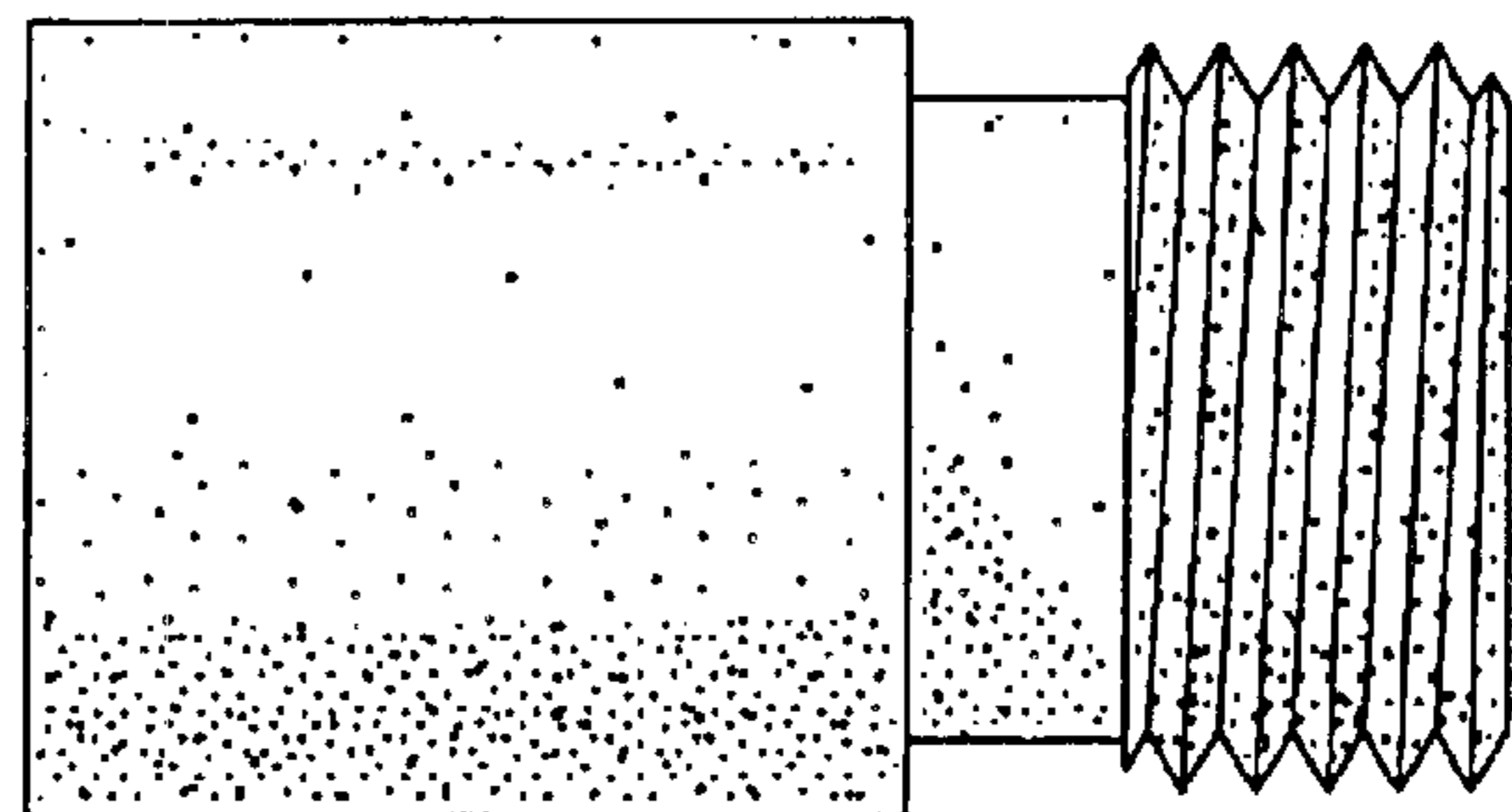


Fig. 3

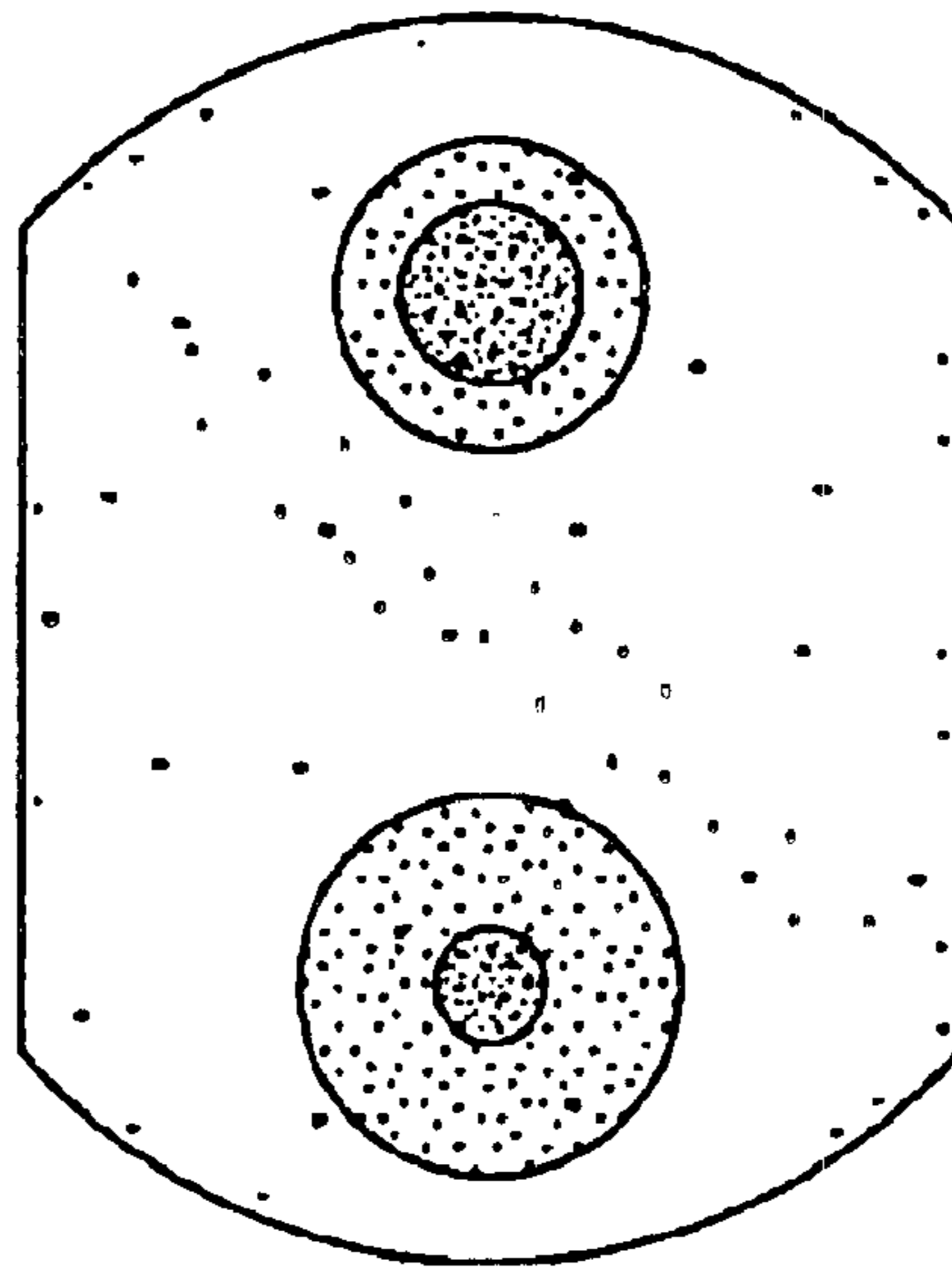


Fig. 4

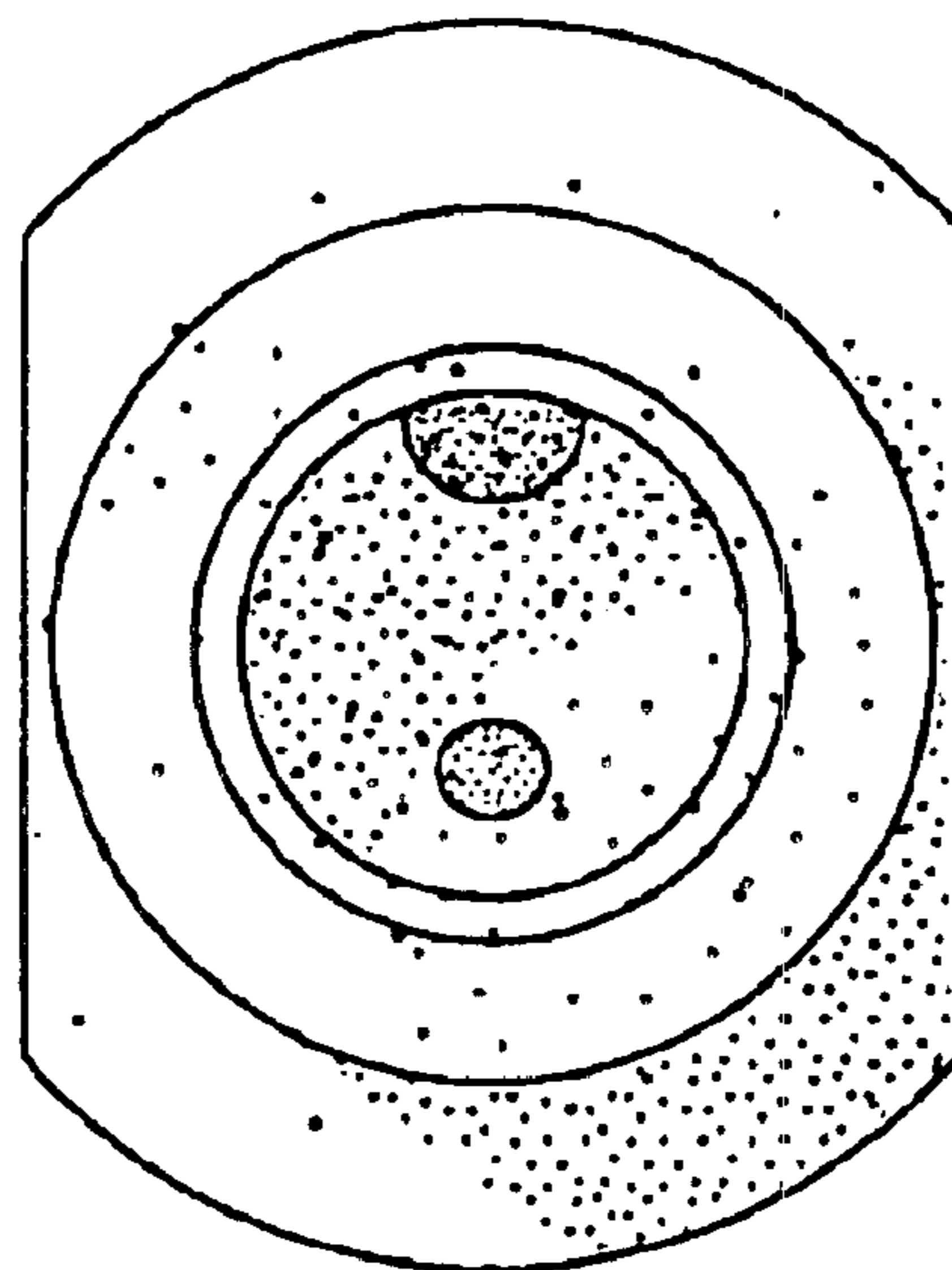


Fig. 5