

US00D498244S

(12) **United States Design Patent**
Chen

(10) **Patent No.:** **US D498,244 S**

(45) **Date of Patent:** **** Nov. 9, 2004**

(54) **ELECTRIC COMPRESSORS (2)**

(75) **Inventor:** **Pi-Hua Chen, Yun Lin Hsien (TW)**

(73) **Assignee:** **Fusin Industrial Co., Ltd., Yun Lin Hsien (TW)**

(**) **Term:** **14 Years**

(21) **Appl. No.:** **29/200,617**

(22) **Filed:** **Mar. 3, 2004**

(51) **LOC (7) Cl.** **15-02**

(52) **U.S. Cl.** **D15/7**

(58) **Field of Search** D15/7-9; 417/321,
417/410, 413.1, 415, 423.3, 486, 521, 534;
415/148

(56) **References Cited**

U.S. PATENT DOCUMENTS

D185,000 S	*	4/1959	Hoover	D15/9
D223,039 S	*	2/1972	Widmer	D15/7
D258,436 S	*	3/1981	McGilberry	D15/7
D278,425 S	*	4/1985	Toshihiko	D13/116
D284,381 S	*	6/1986	Stuart	D15/7

5,244,351 A	*	9/1993	Arnette	417/38
D398,614 S	*	9/1998	Kartinen	D15/7
D444,279 S	*	6/2001	Kristiansen et al.	D34/12
D444,797 S	*	7/2001	Davis et al.	D15/9
D459,851 S	*	7/2002	Rehkugler et al.	D34/24

* cited by examiner

Primary Examiner—Ralf Seifert

(74) *Attorney, Agent, or Firm*—Rabin & Berdo, P.C.

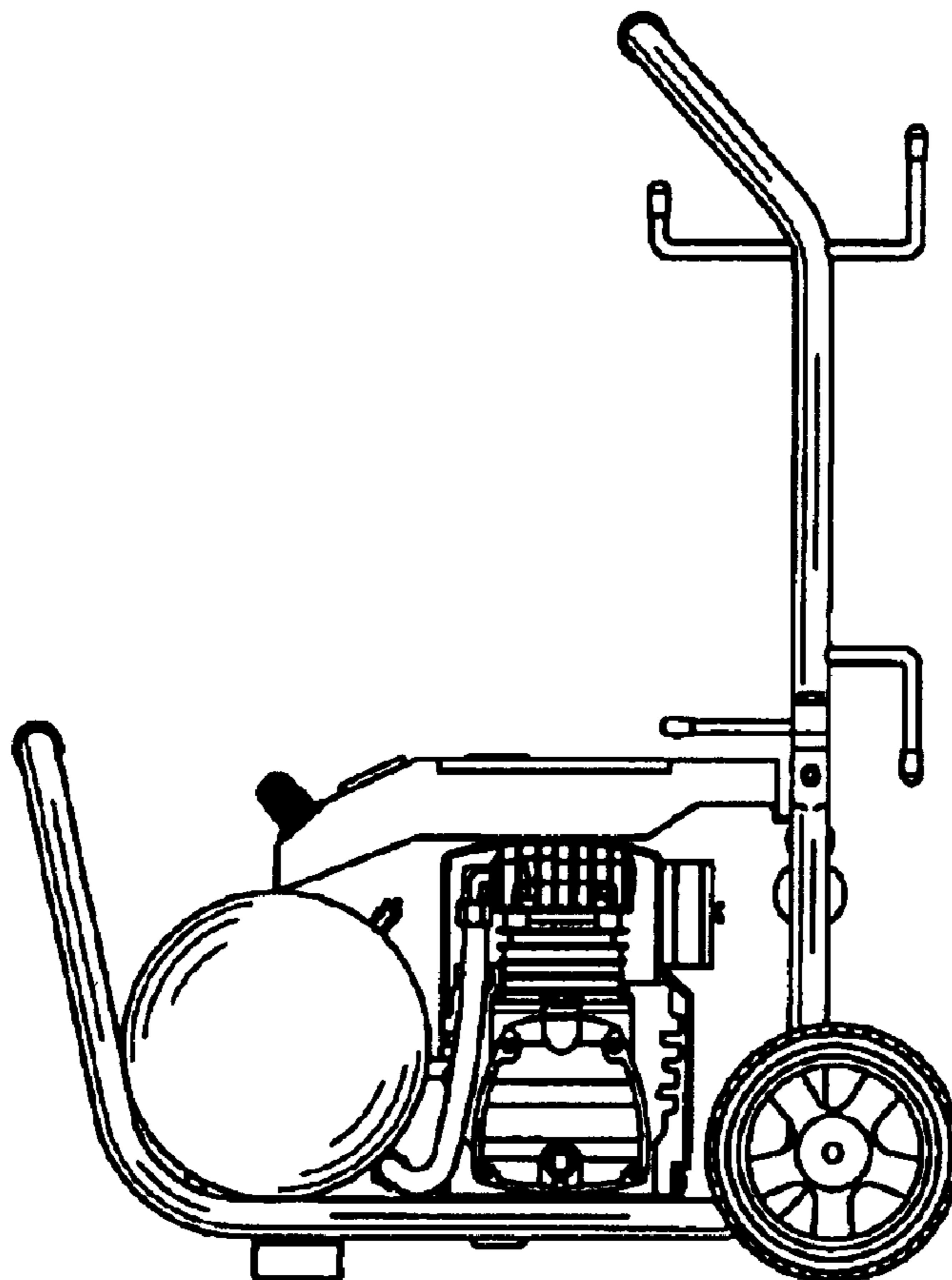
(57) **CLAIM**

The ornamental design for an electric compressors (2), as shown and described.

DESCRIPTION

FIG. 1. is a front elevational view of an electric compressors (2) showing my new design;
 FIG. 2. is a rear elevational view thereof;
 FIG. 3. is a left side elevational view thereof;
 FIG. 4. is a right side elevational view thereof;
 FIG. 5. is a top plan view thereof;
 FIG. 6. is a bottom plan view thereof; and,
 FIG. 7. is a perspective view thereof.

1 Claim, 4 Drawing Sheets



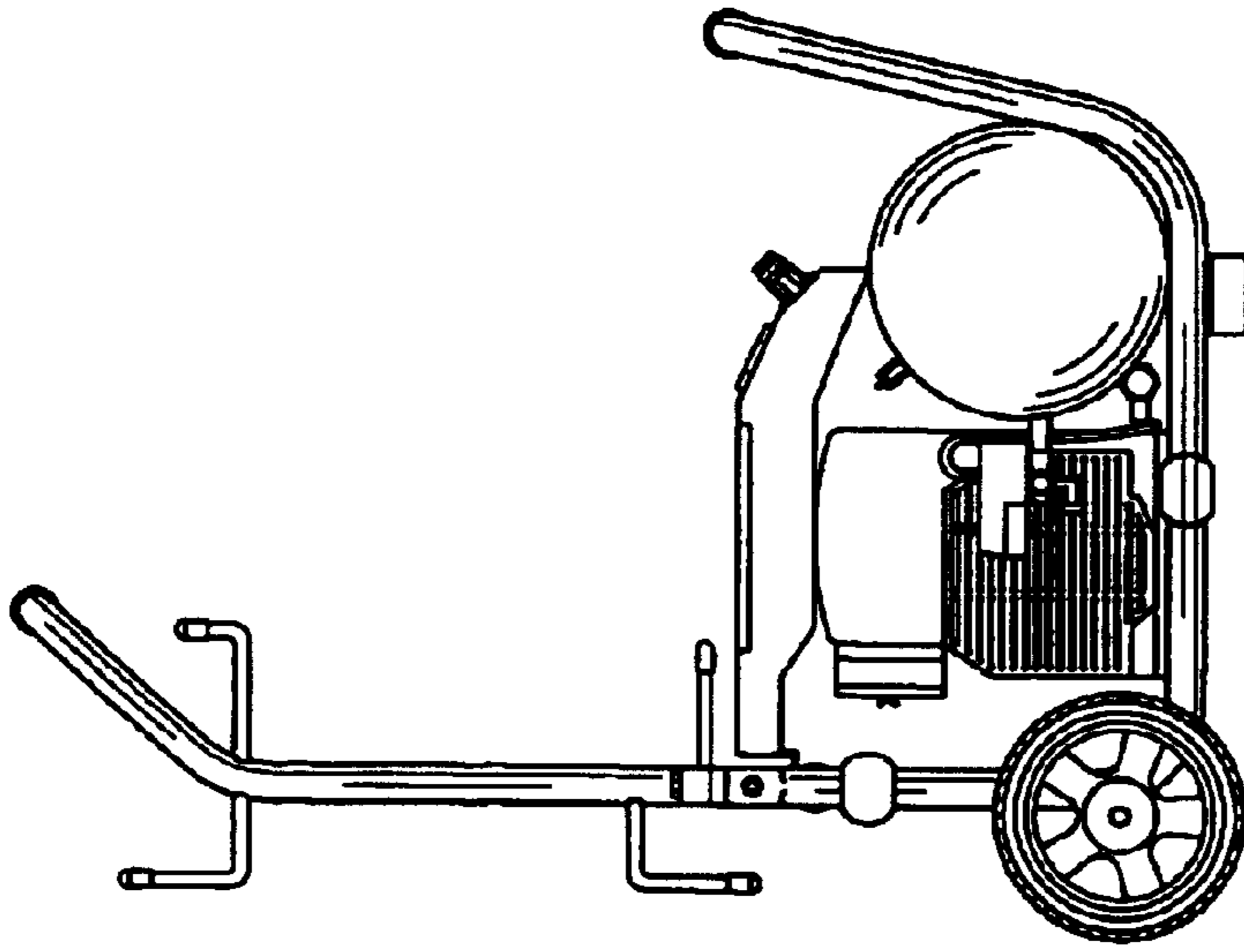


FIG. 2

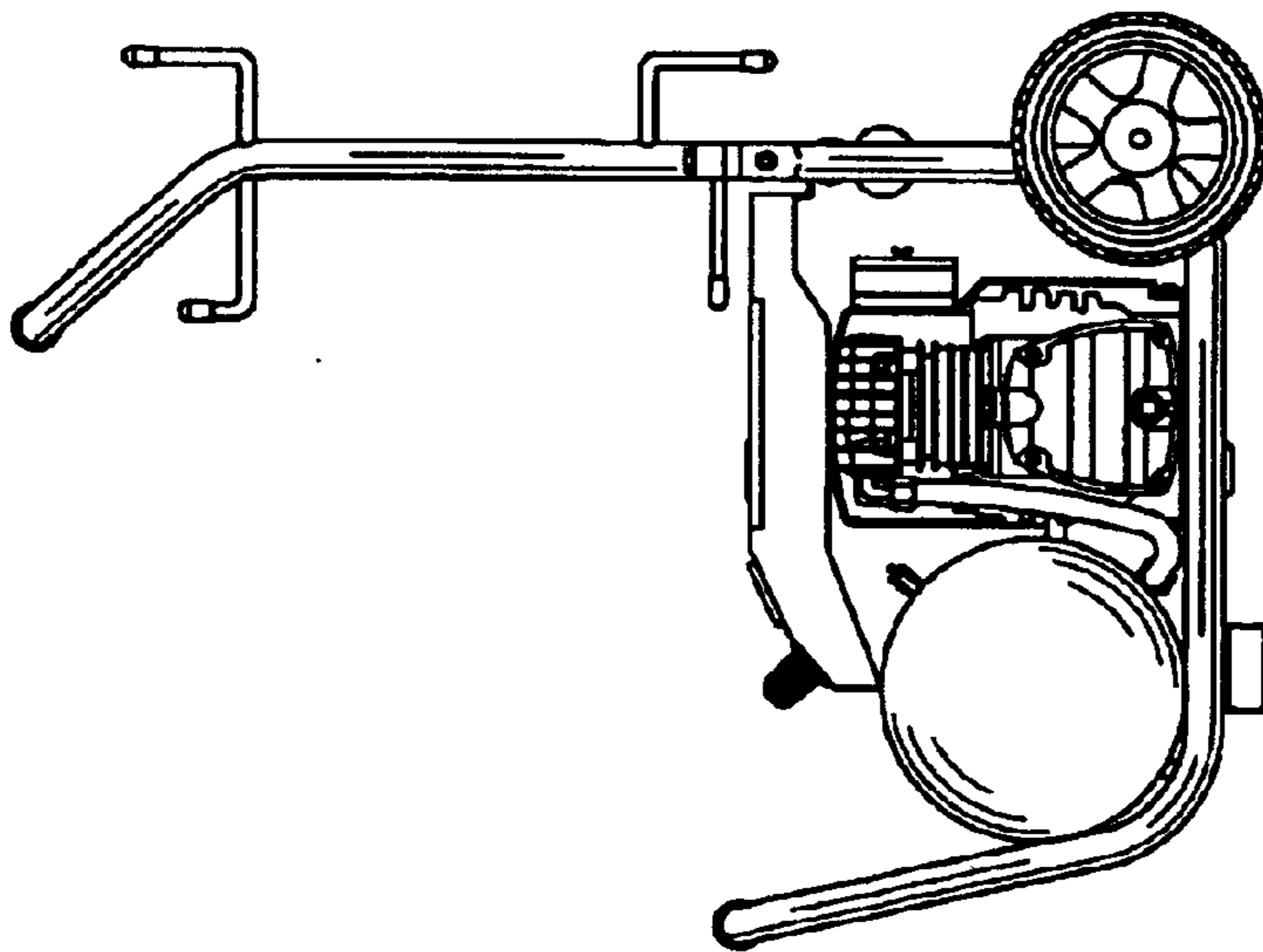


FIG. 1

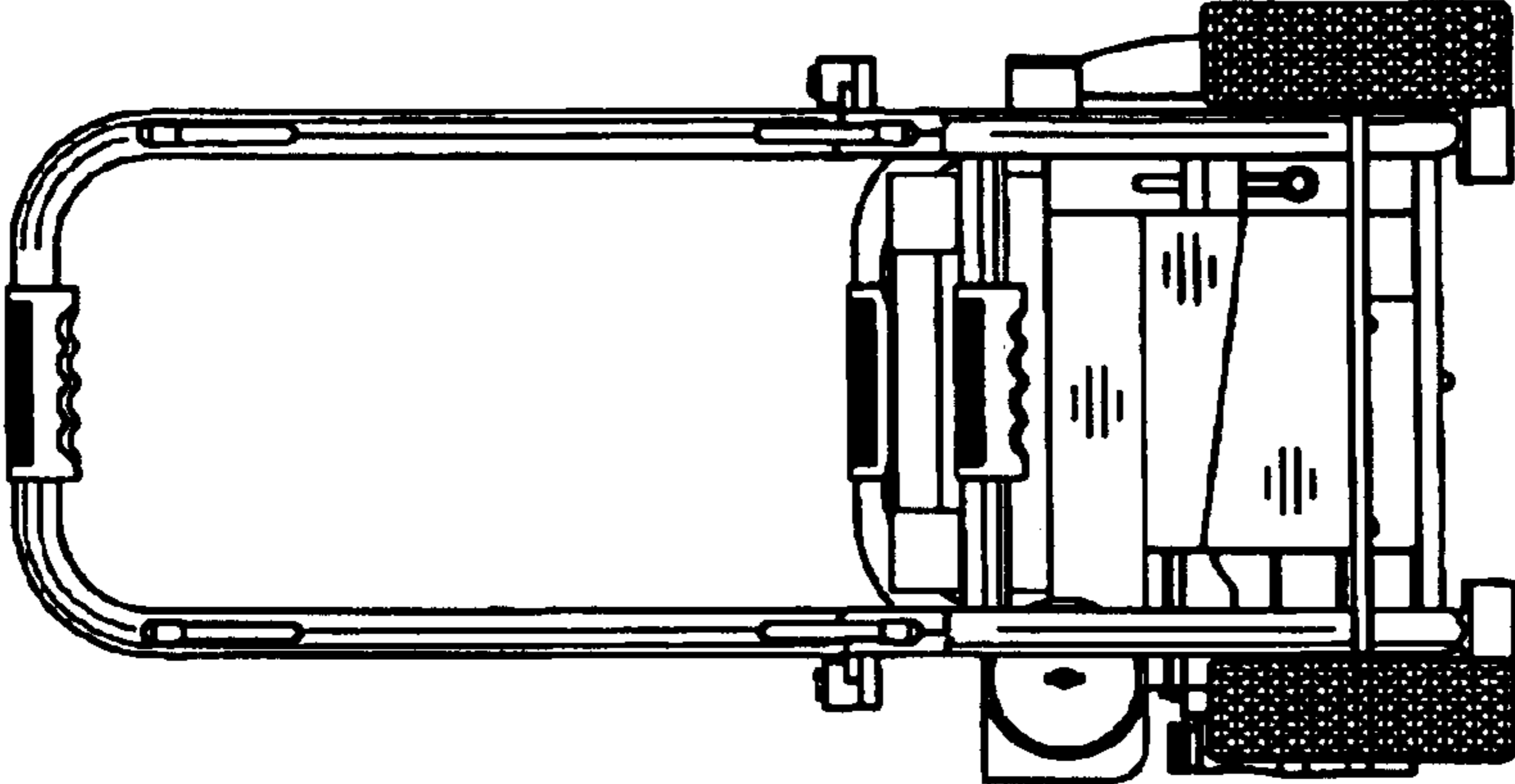


FIG. 4

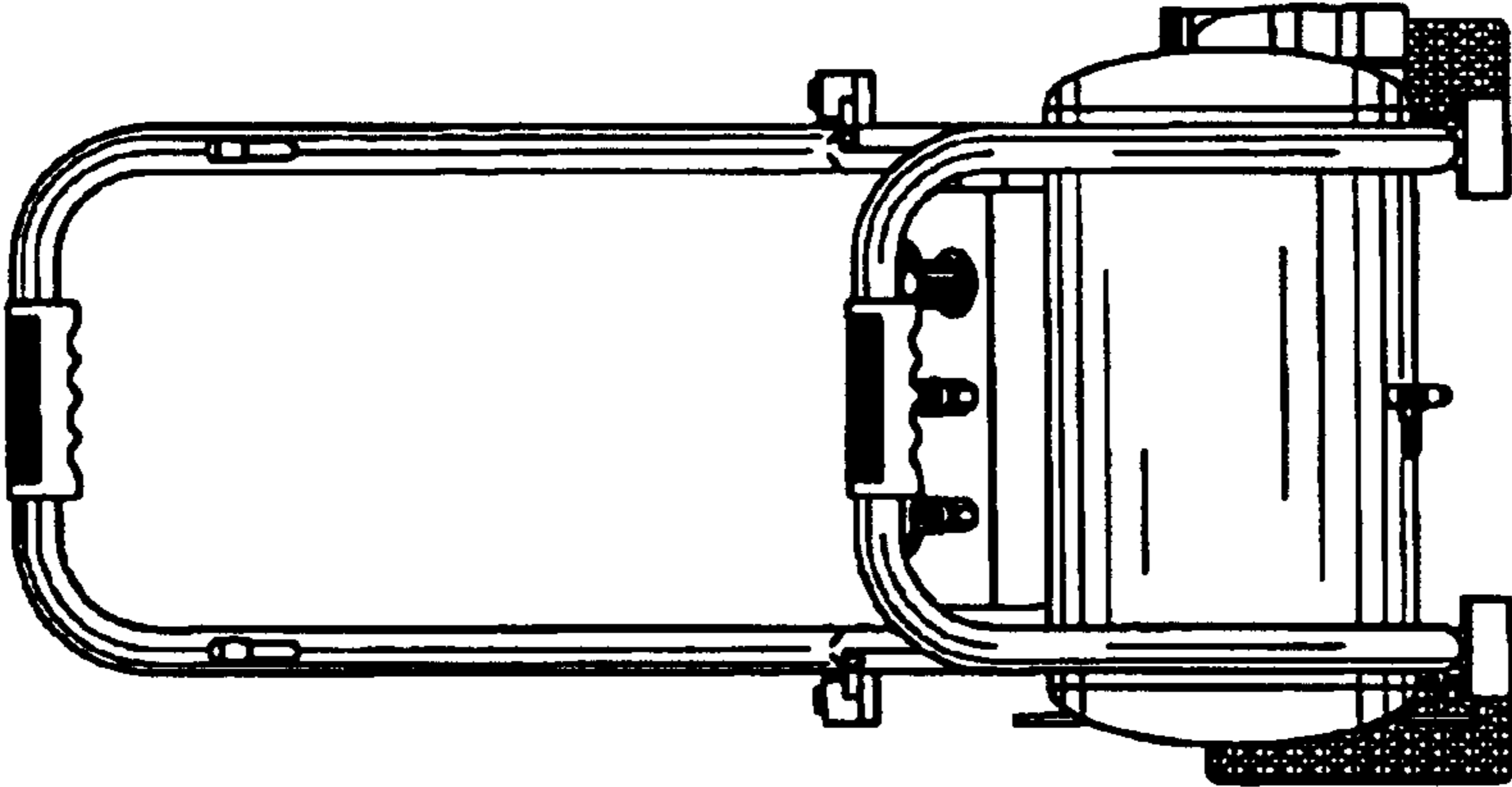


FIG. 3

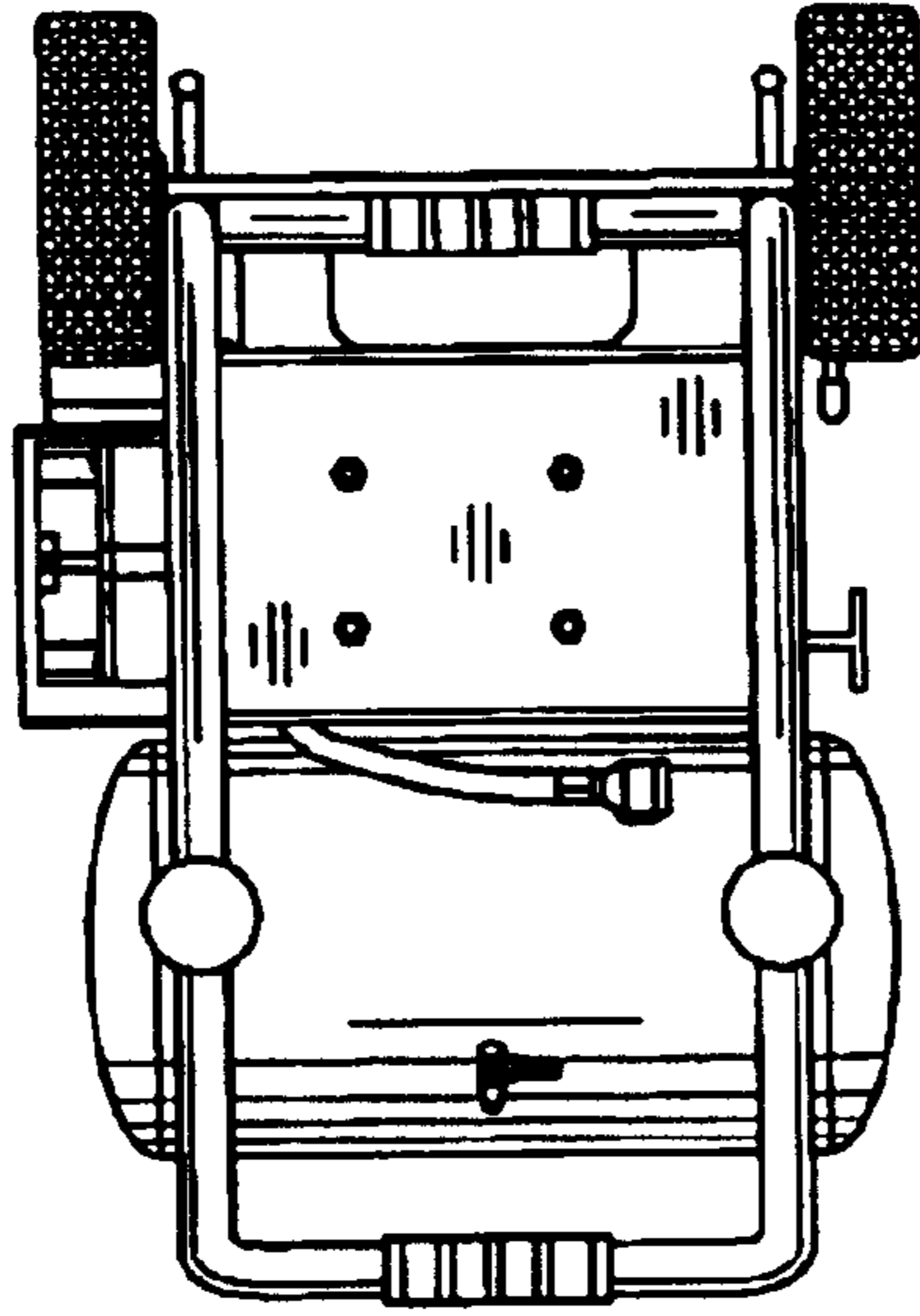


FIG. 6

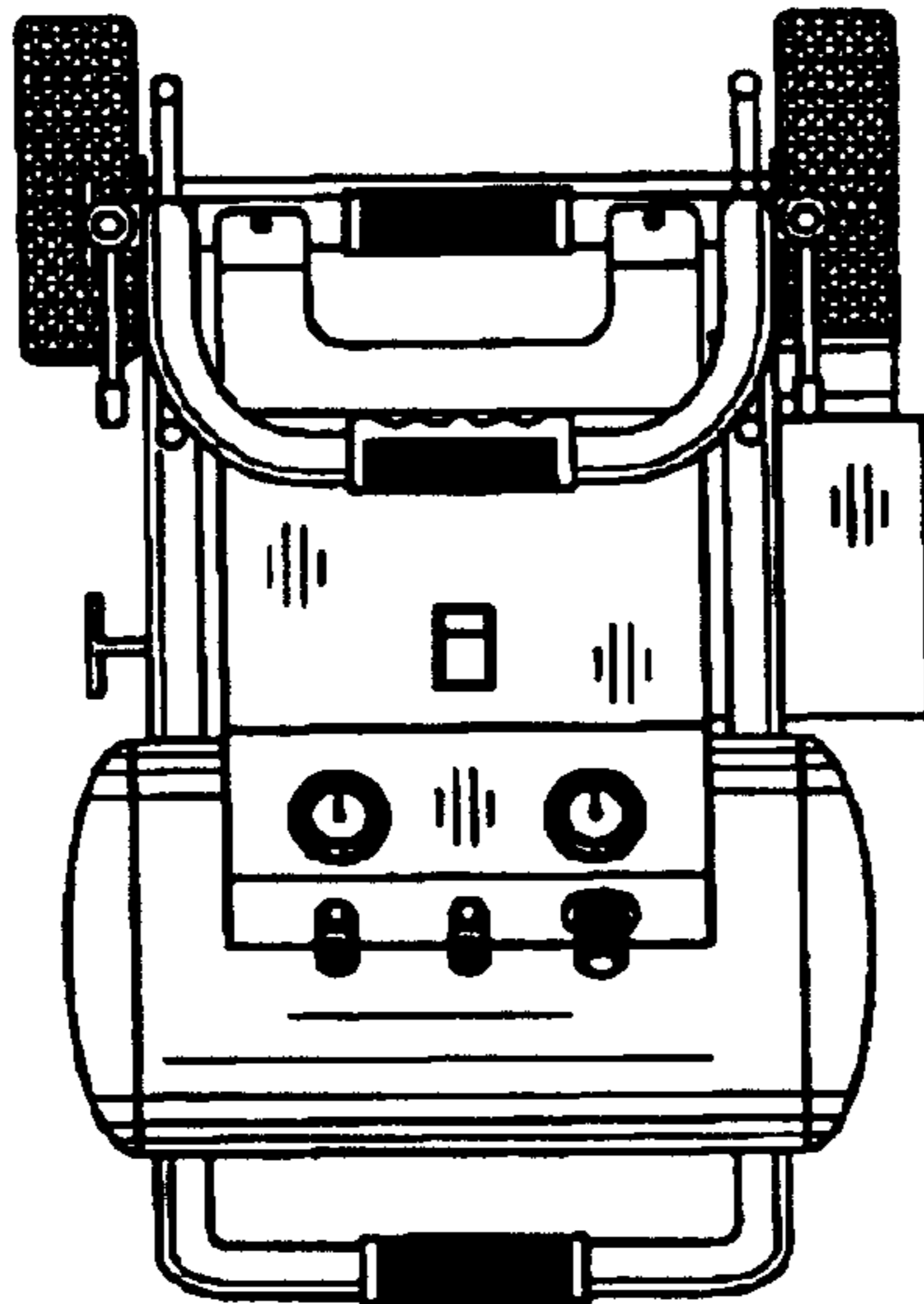


FIG. 5

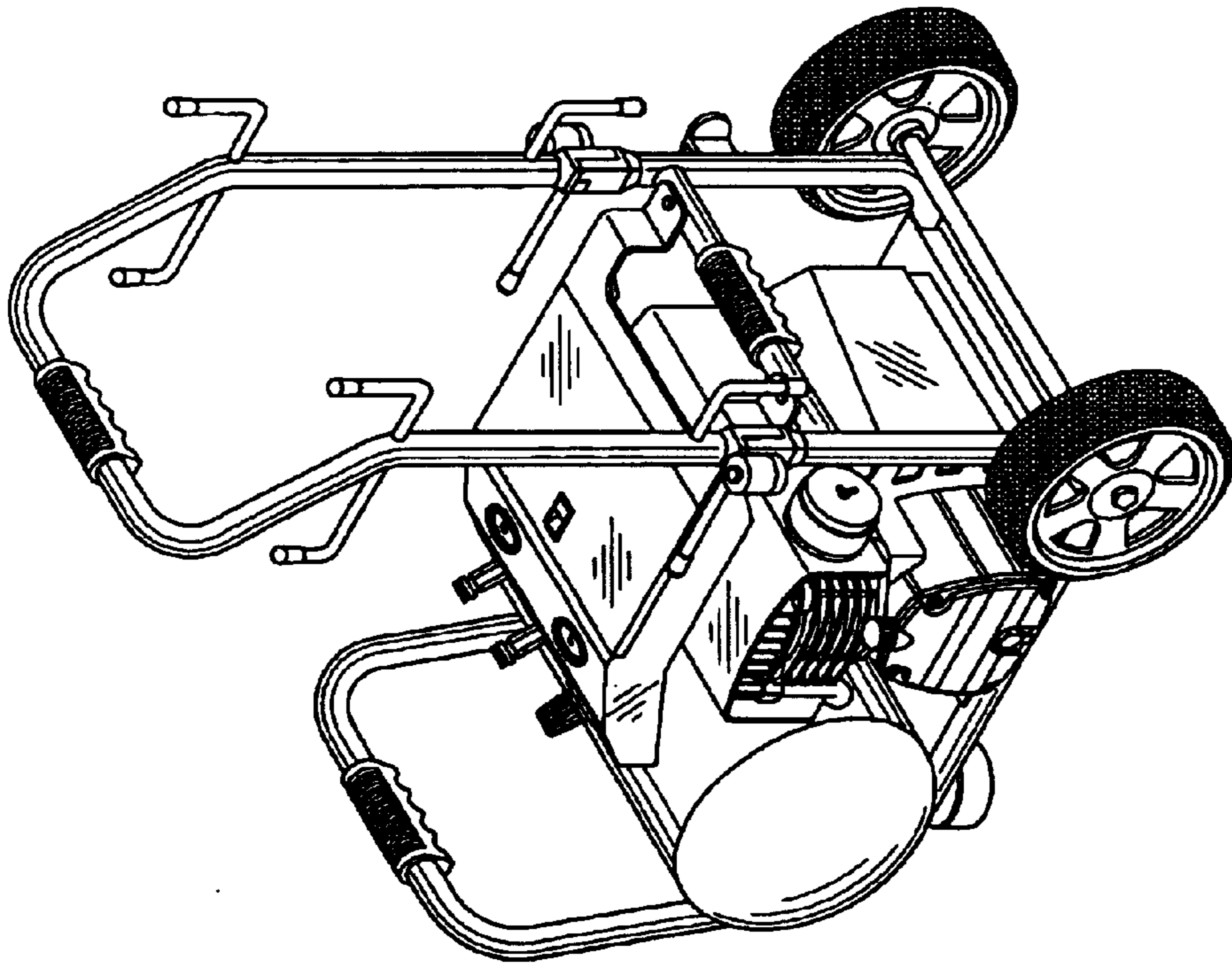


FIG. 7