

US00D498241S

(12) **United States Design Patent**
Song et al.

(10) **Patent No.: US D498,241 S**

(45) **Date of Patent: ** Nov. 9, 2004**

(54) **PUMP**

D489,732 S * 5/2004 Kishimoto D15/7
D490,442 S * 5/2004 Kuboshima et al. D15/7

(76) Inventors: **Rong-Jyh Song**, 8F-1, No.102, Sec. 2,
Roosevelt Rd., Taipei (TW);
Tsung-Ping Yen, 8F-1, No.102, Sec. 2,
Roosevelt Rd., Taipei (TW)

* cited by examiner

Primary Examiner—Ralf Seifert
(74) *Attorney, Agent, or Firm*—Morgan Lewis & Bockius
LLP

(**) Term: **14 Years**

(57) **CLAIM**

(21) Appl. No.: **29/192,236**

The ornamental design for pump, as shown and described.

(22) Filed: **Oct. 22, 2003**

DESCRIPTION

(51) **LOC (7) Cl.** **15-02**

(52) **U.S. Cl.** **D15/7**

(58) **Field of Search** D15/7-9; 417/321,
417/410, 413.1, 415, 423.3, 486, 521, 534;
415/148

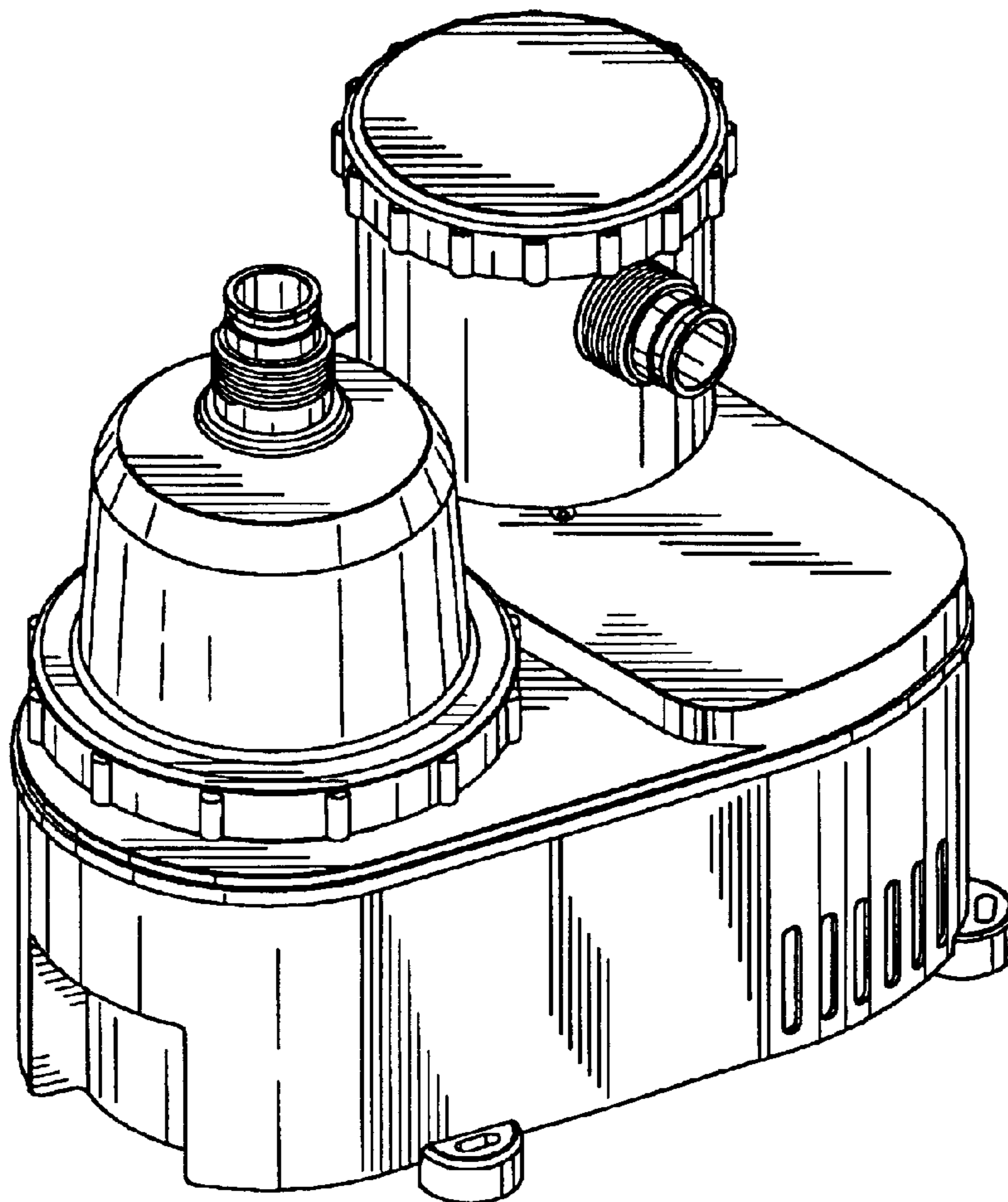
FIG. 1 is a perspective view of pump showing our new design;
FIG. 2 is a front elevational view thereof;
FIG. 3 is a rear elevational view thereof;
FIG. 4 is a left side elevational view thereof;
FIG. 5 is a right side elevational view thereof;
FIG. 6 is a top plan view thereof; and,
FIG. 7 is a bottom plan view thereof.

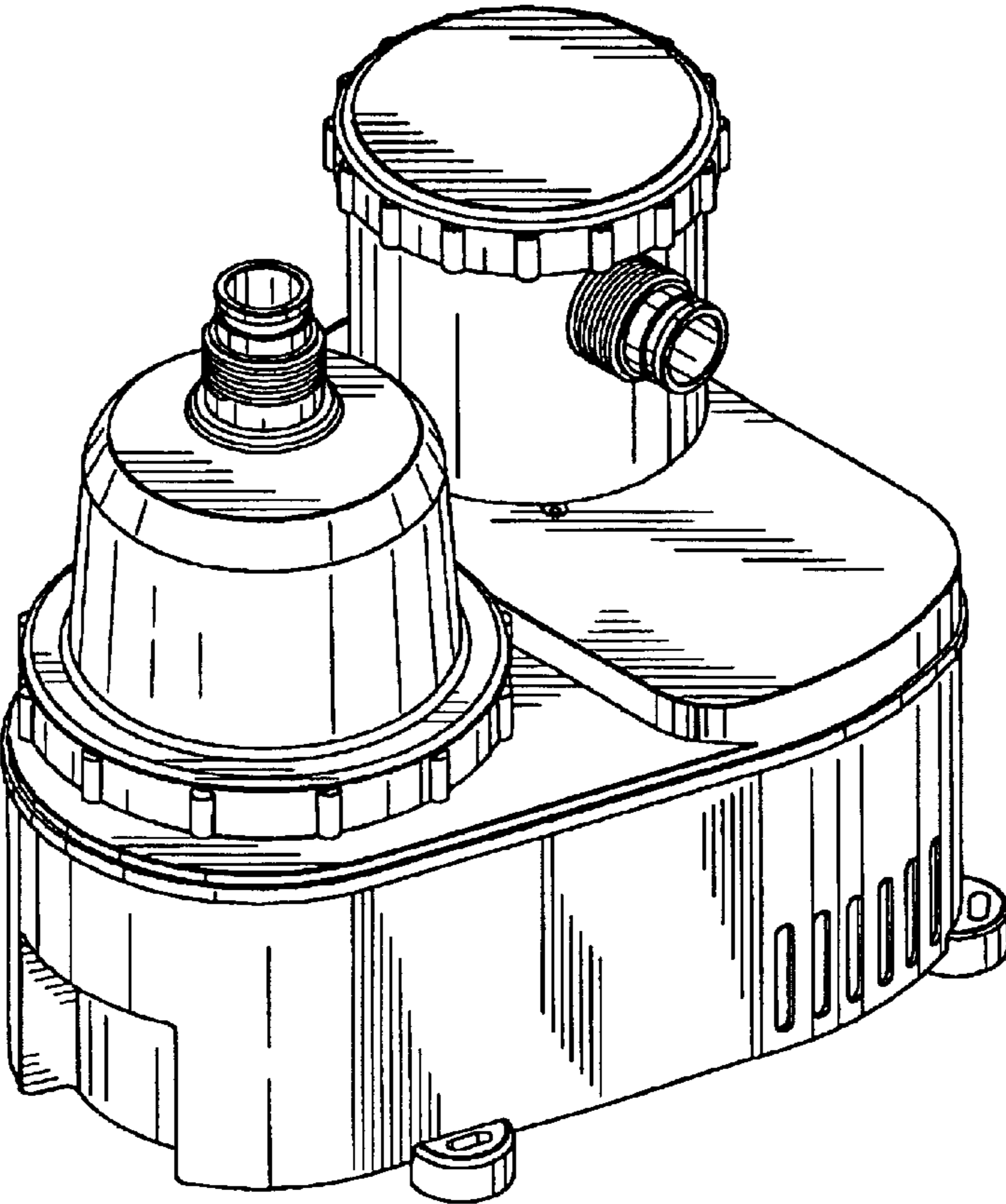
(56) **References Cited**

U.S. PATENT DOCUMENTS

D220,660 S * 5/1971 Smith et al. D15/7
D443,881 S * 6/2001 Tsai D15/7

1 Claim, 4 Drawing Sheets





F I G . 1

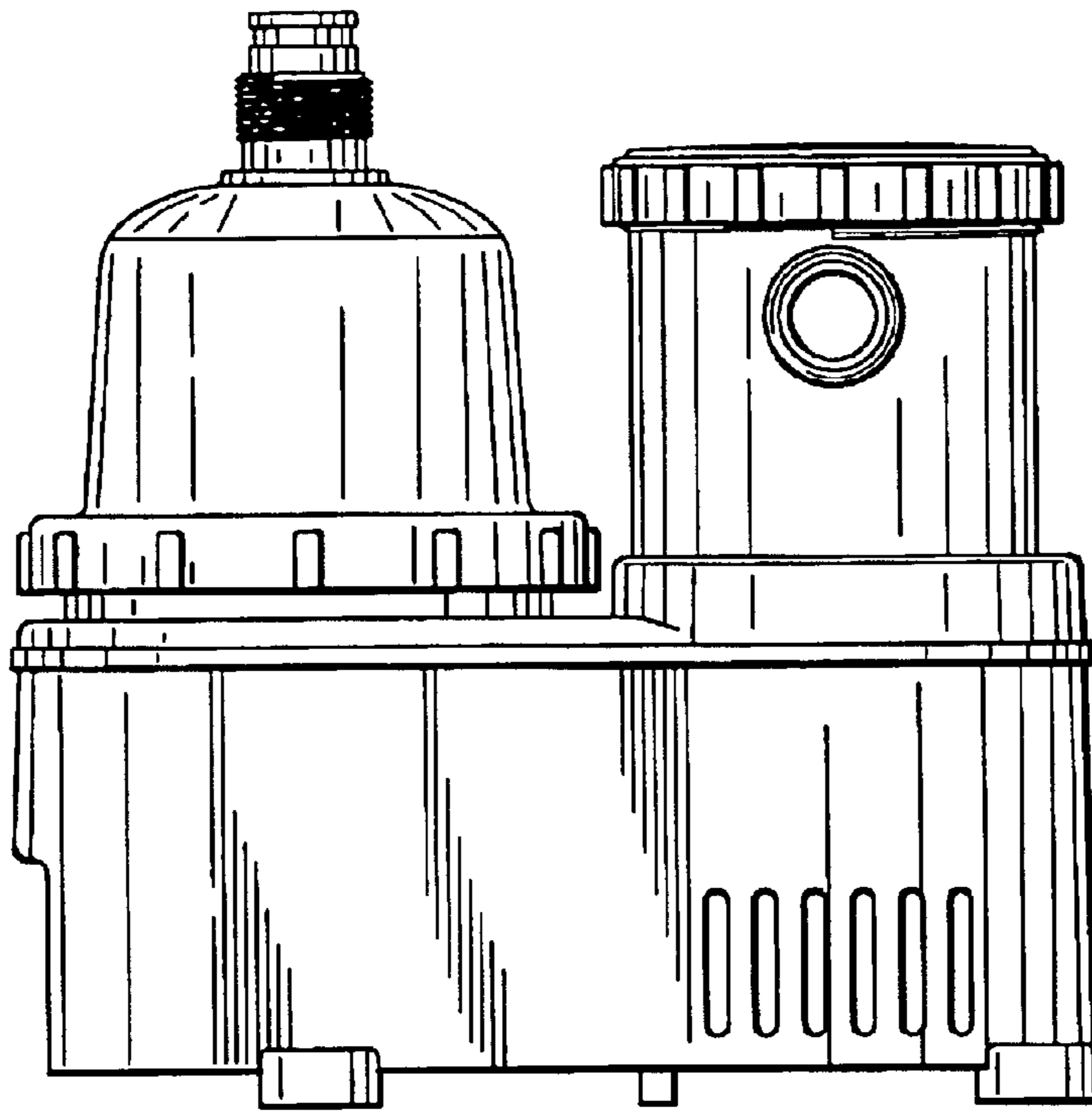


FIG. 2

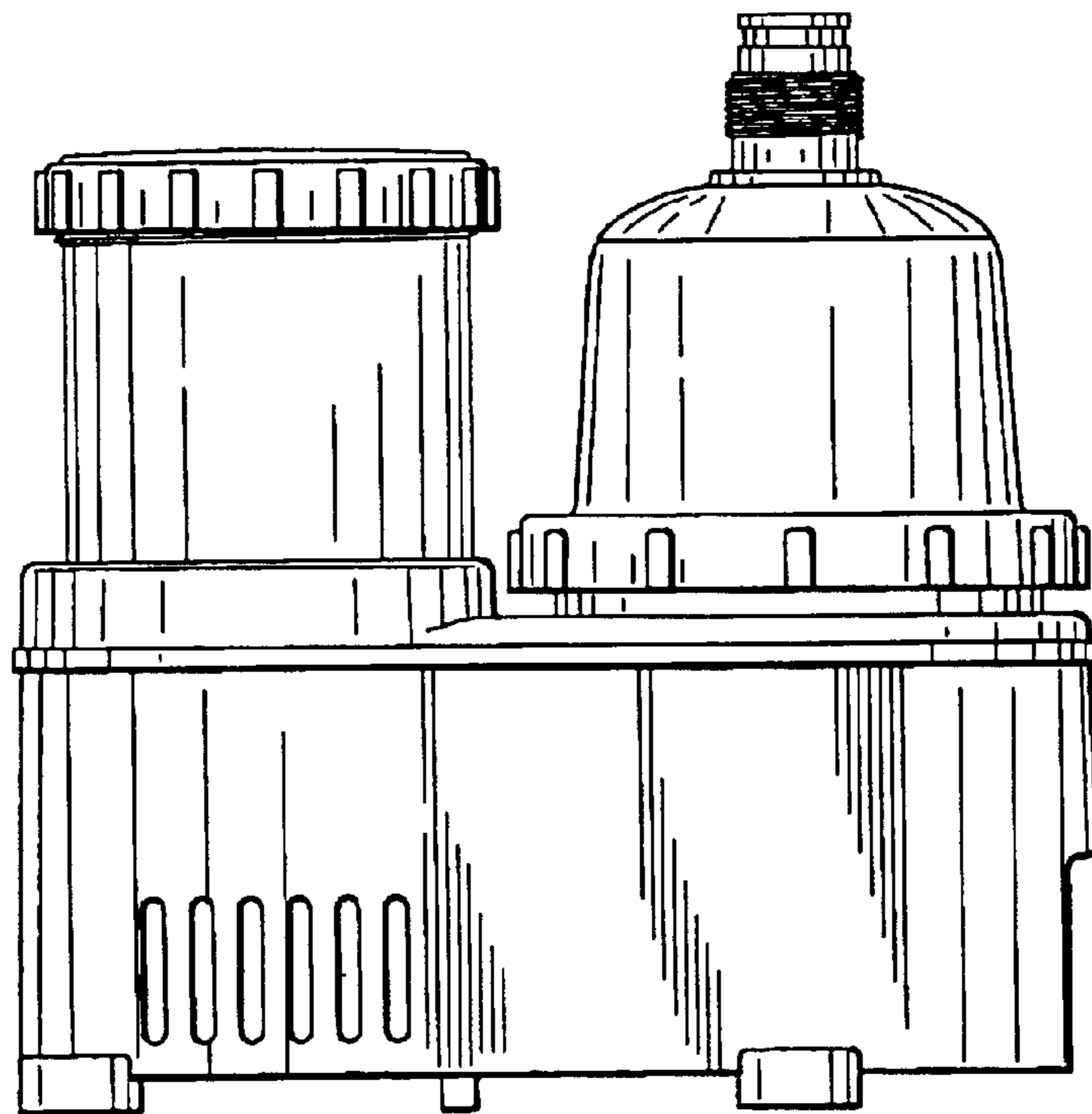


FIG. 3

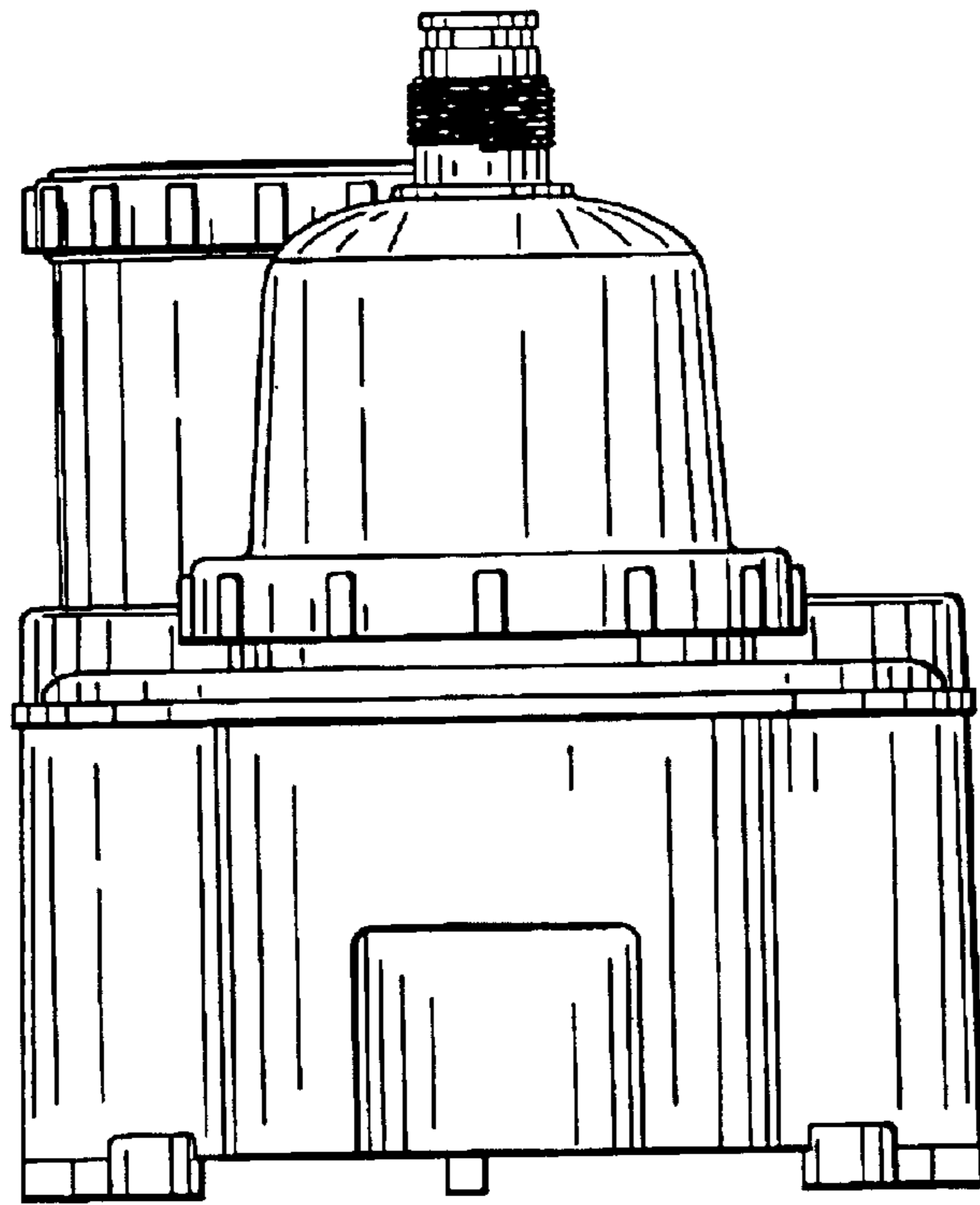


FIG. 4

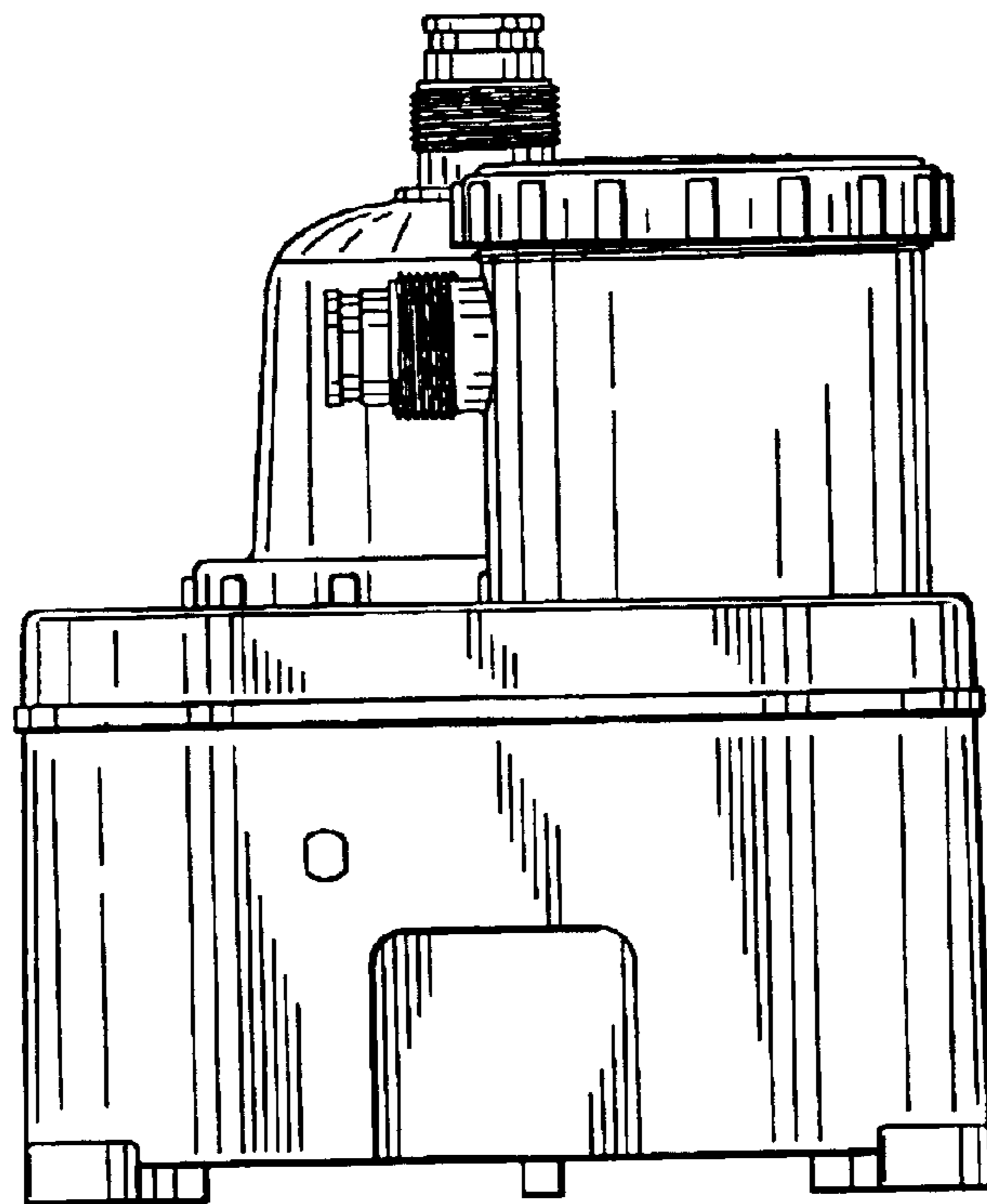


FIG. 5

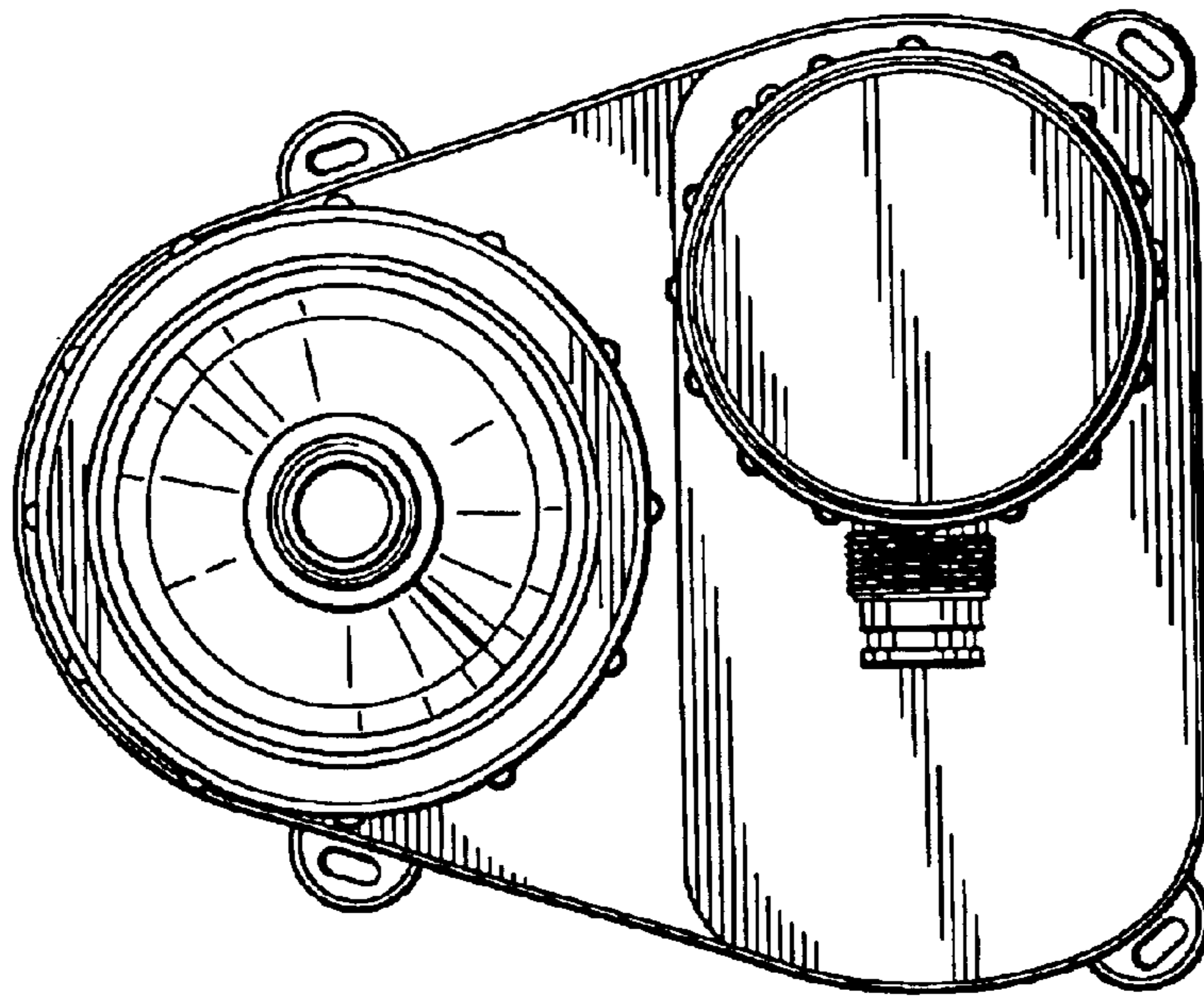


FIG. 6

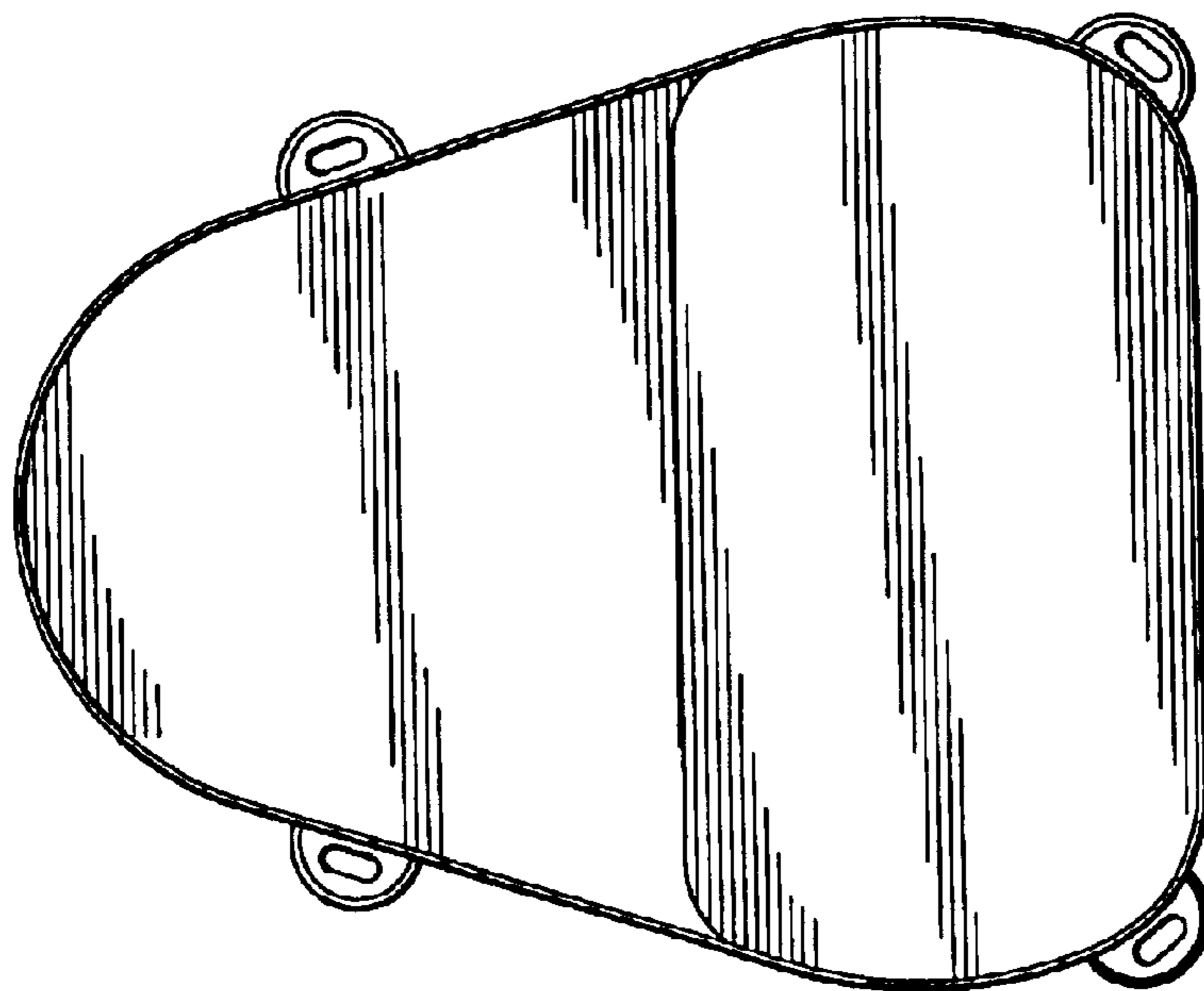


FIG. 7