

US00D498225S

(12) **United States Design Patent**
Takeuchi et al.

(10) **Patent No.: US D498,225 S**

(45) **Date of Patent: ** Nov. 9, 2004**

(54) **AMPLIFIER**

(75) Inventors: **Yoshihito Takeuchi**, Kobe (JP);
Katsuhiko Taira, Osaka (JP)

(73) Assignee: **Fujitsu Ten Limited**, Kobe (JP)

(**) Term: **14 Years**

(21) Appl. No.: **29/191,231**

(22) Filed: **Oct. 6, 2003**

(30) **Foreign Application Priority Data**

Jul. 15, 2003 (JP) 2003-020462

(51) **LOC (7) Cl.** **14-03**

(52) **U.S. Cl.** **D14/188; D14/265**

(58) **Field of Search** D14/188, 135,
D14/136, 265, 160-164, 192-198; 455/344-351;
381/86, 120, 121

(56) **References Cited**

U.S. PATENT DOCUMENTS

3,496,297 A * 2/1970 Brumberger 381/118
3,860,755 A * 1/1975 Kimbell et al. 381/109
D325,734 S * 4/1992 Miyai D14/189

5,119,430 A * 6/1992 Peavey et al. 381/121
D364,162 S * 11/1995 Dagan D14/188
5,748,753 A * 5/1998 Carver 381/96
D424,563 S * 5/2000 Schmeichel et al. D14/188
D481,704 S * 11/2003 Shindo D14/188

FOREIGN PATENT DOCUMENTS

JP S 1124362 10/2001

* cited by examiner

Primary Examiner—Prabhakar Deshmukh

(74) *Attorney, Agent, or Firm*—Oliff & Berridge, PLC

(57) **CLAIM**

The ornamental design for an amplifier, as shown and described.

DESCRIPTION

FIG. 1 is a perspective view of the front, top and right side of an amplifier showing our new design;
FIG. 2 is a front view thereof;
FIG. 3 is a top plan view thereof;
FIG. 4 is a right side view thereof;
FIG. 5 is a rear view thereof; and,
FIG. 6 is a bottom view.

1 Claim, 3 Drawing Sheets

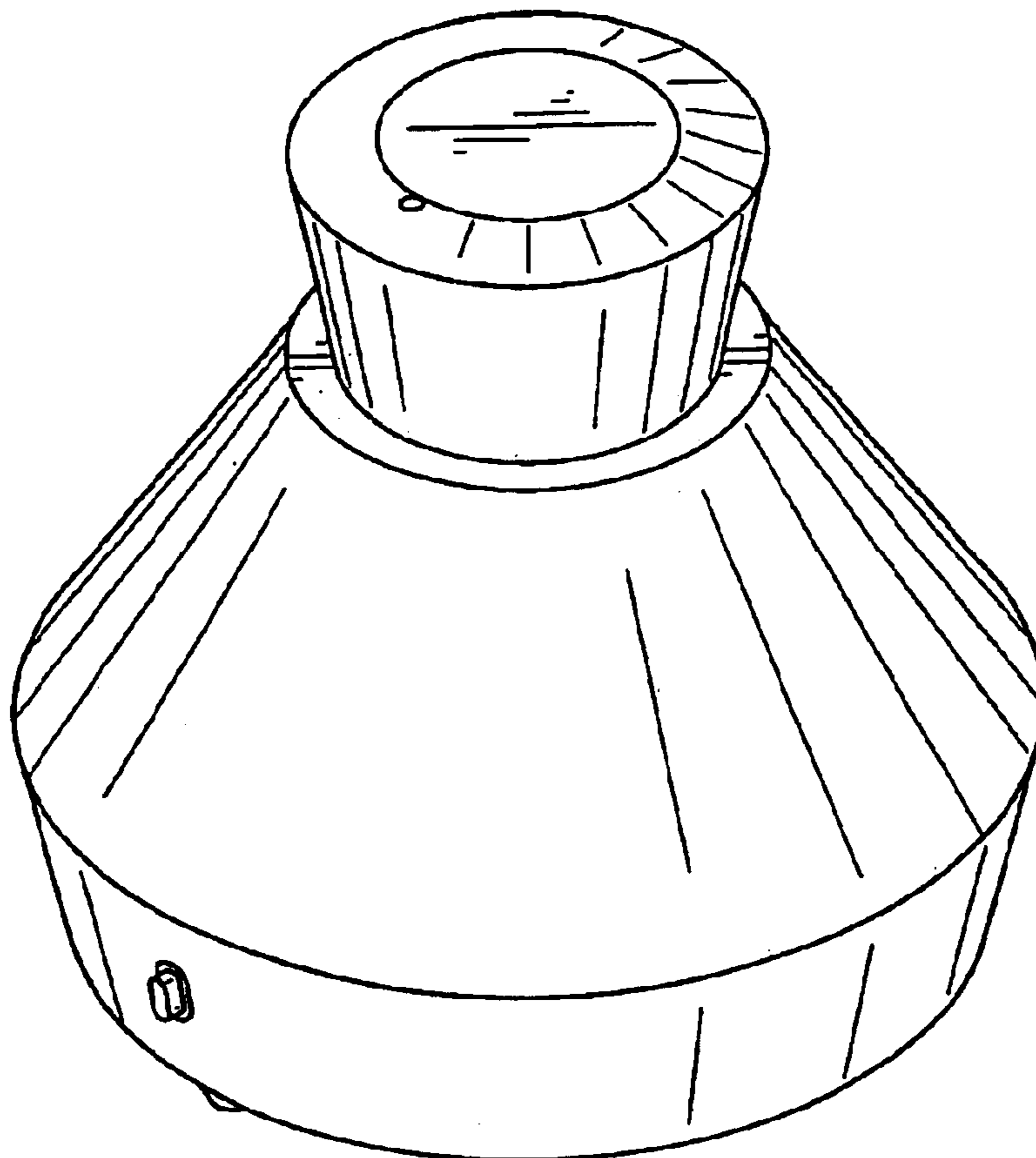


FIG. 1

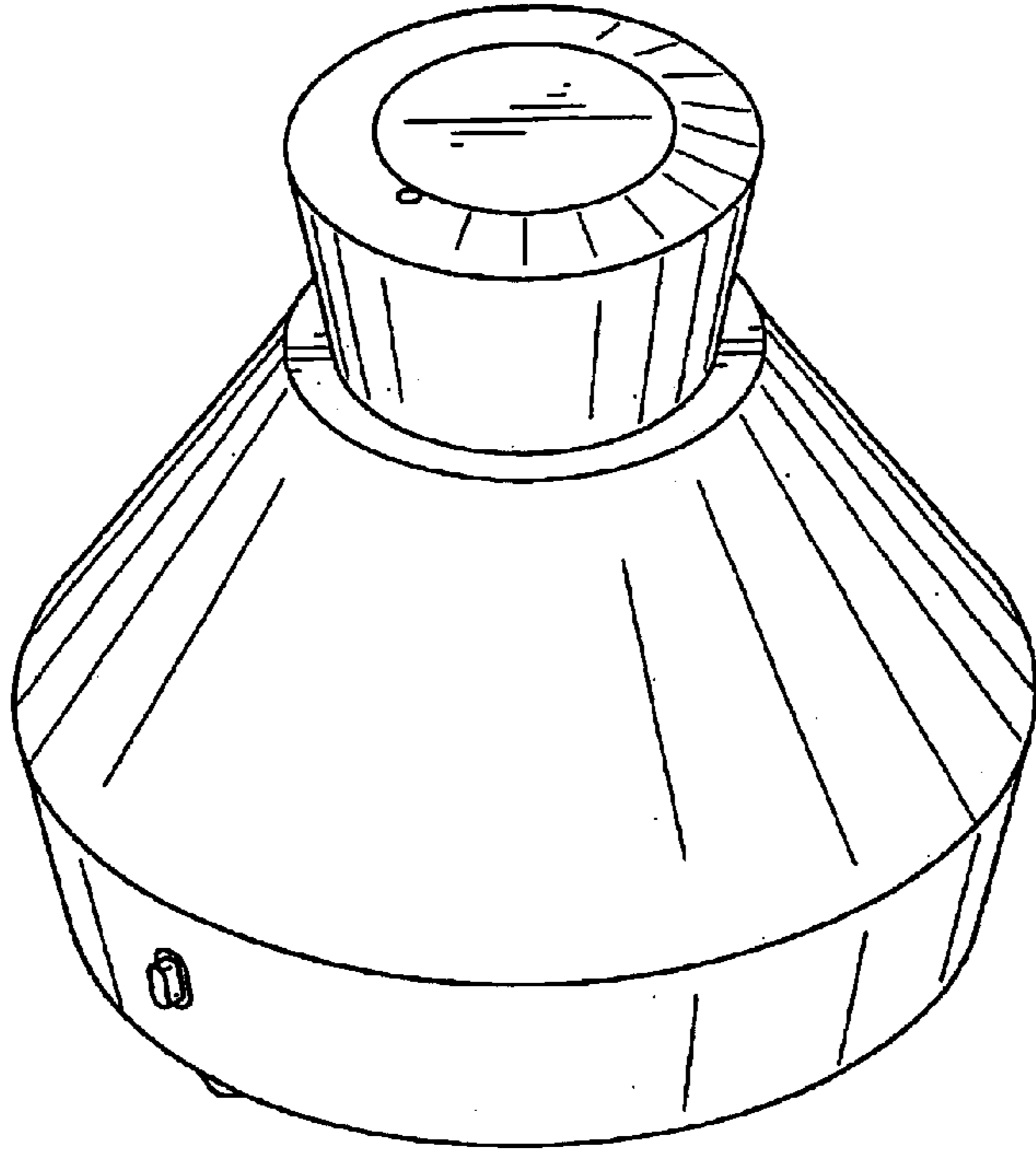


FIG. 2

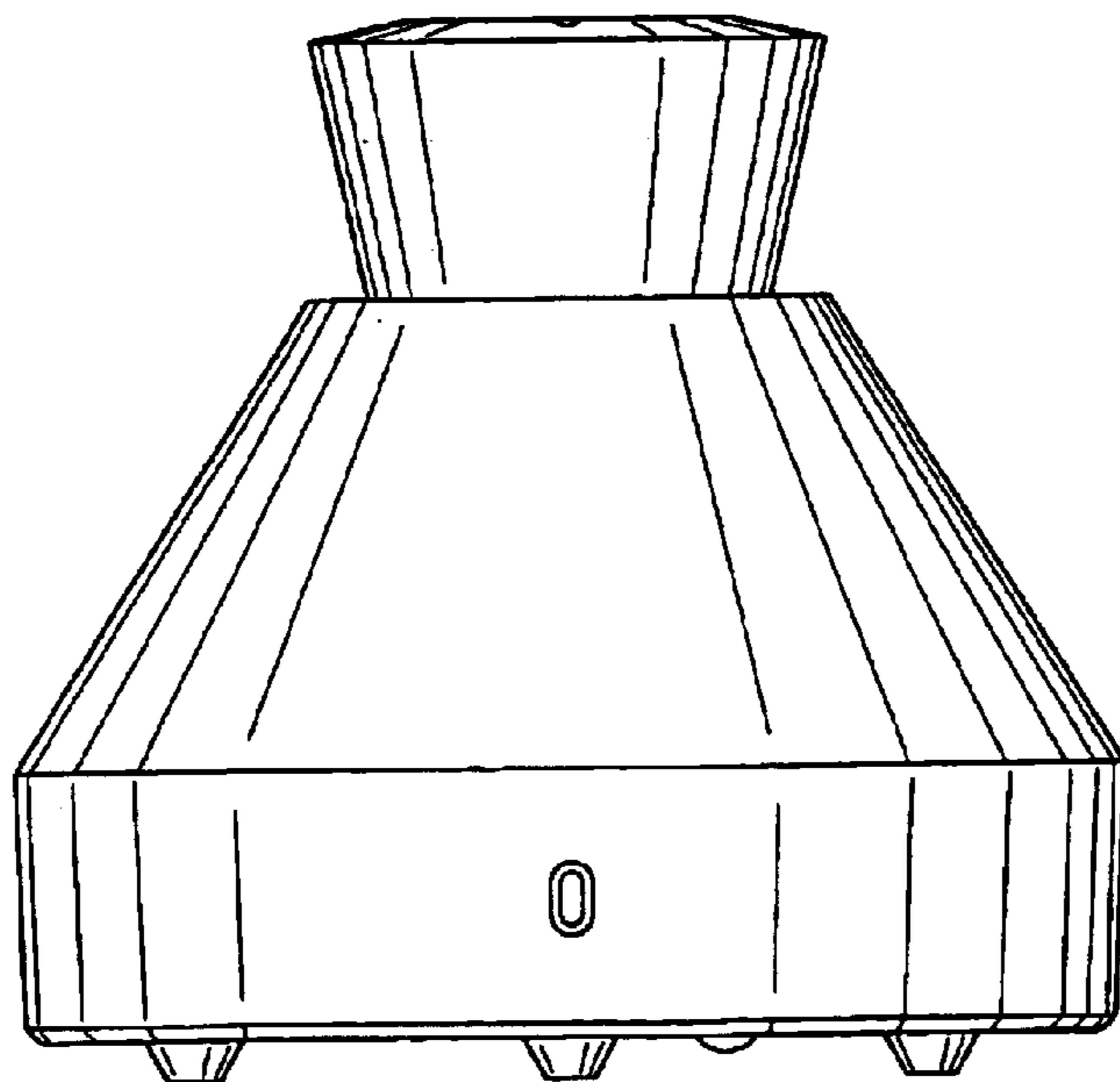


FIG. 3

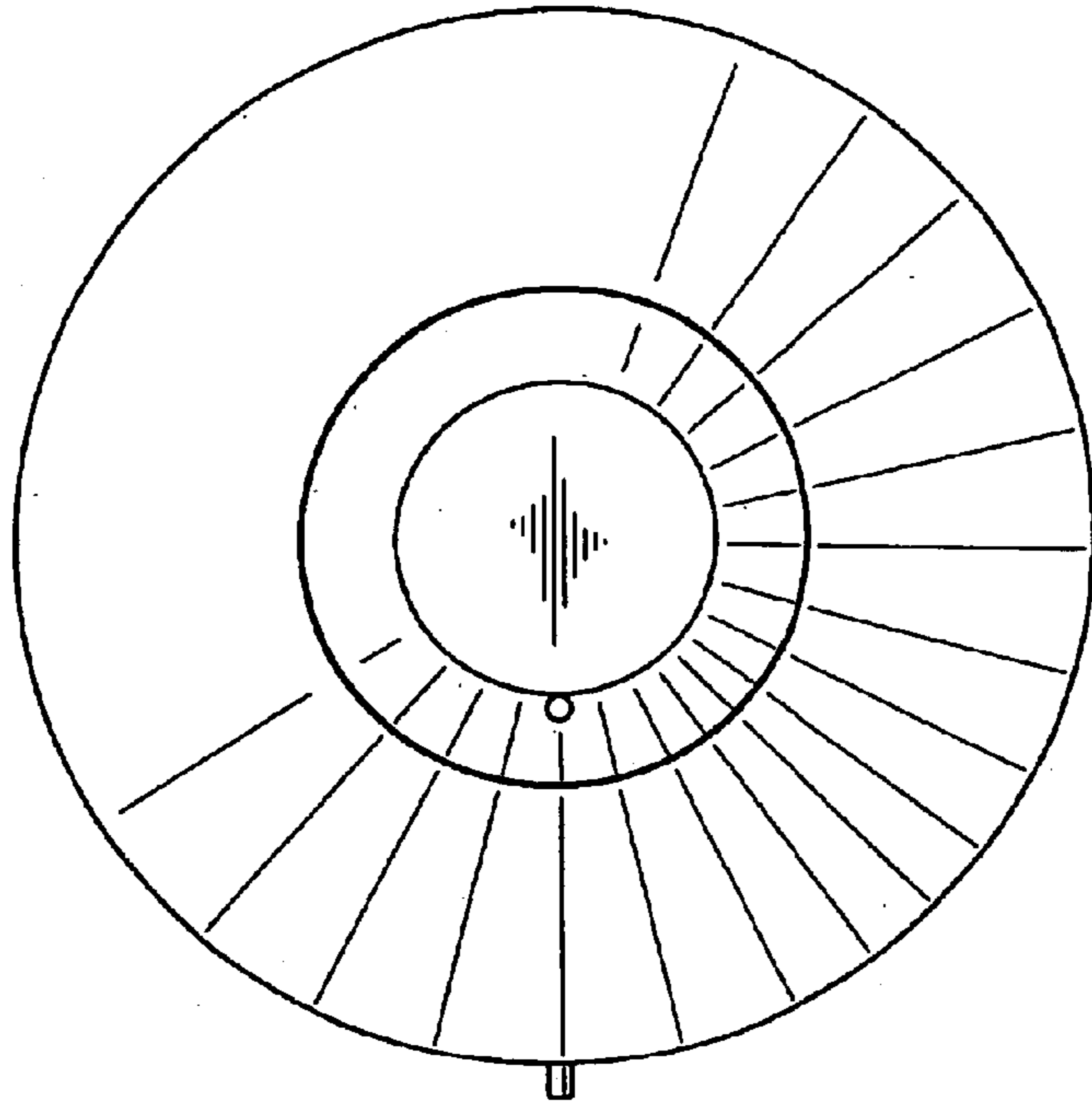


FIG. 4

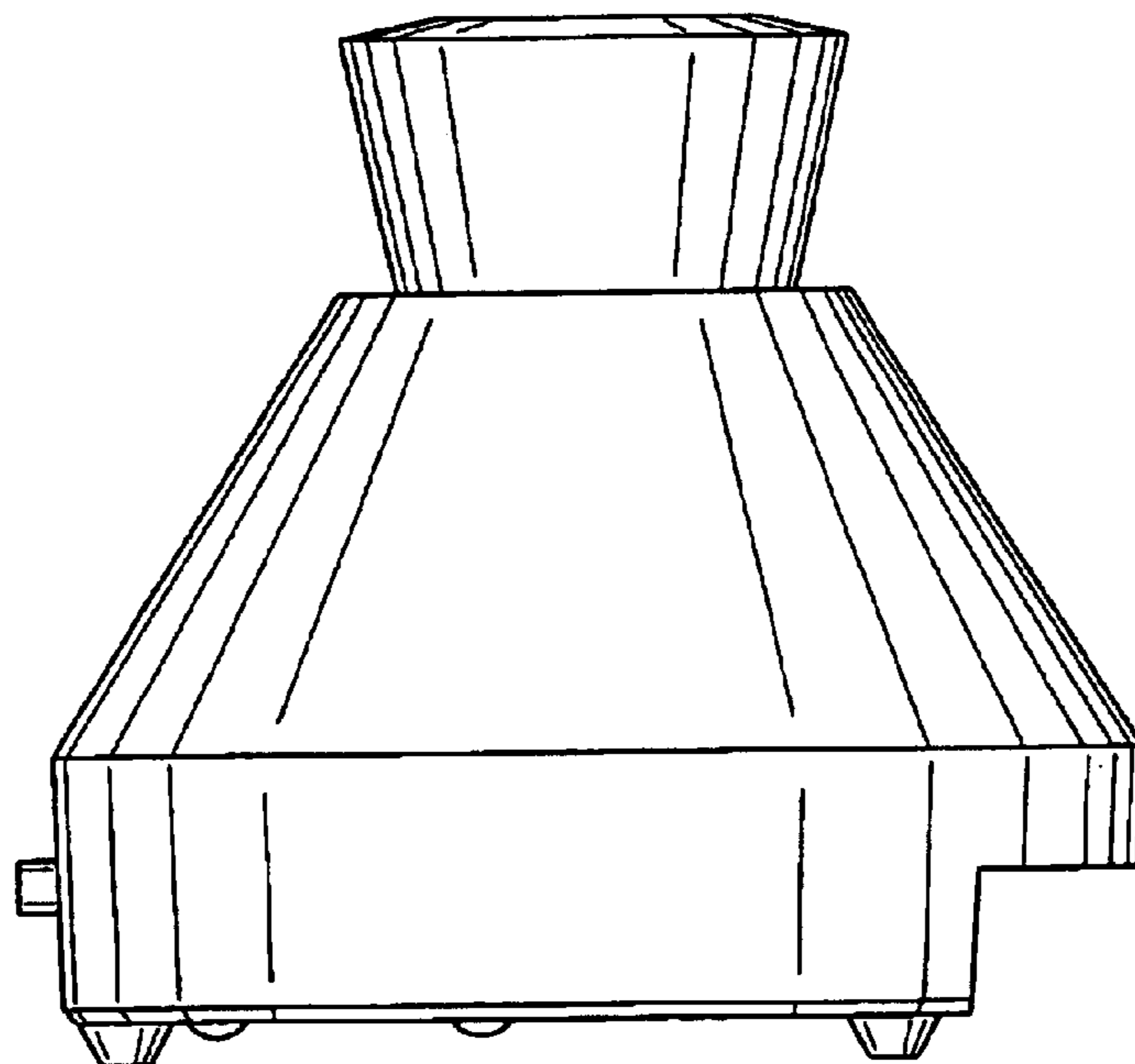


FIG. 5

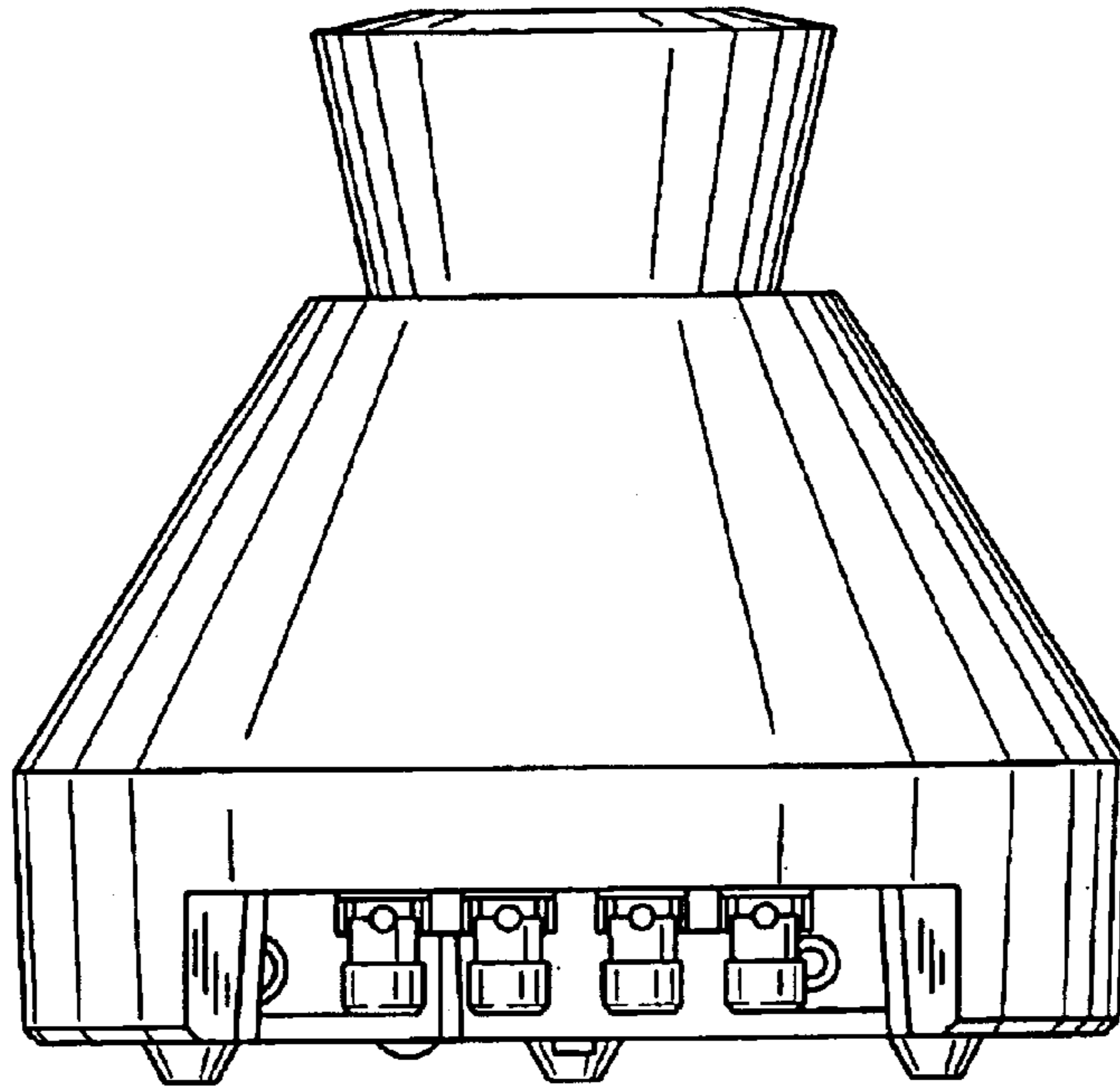


FIG. 6

