

US00D498219S

(12) **United States Design Patent** (10) **Patent No.:** **US D498,219 S**
Hamann (45) **Date of Patent:** **** Nov. 9, 2004**

(54) **MOBILE PHONE**
(75) **Inventor:** **Matthis Hamann, München (DE)**
(73) **Assignee:** **Siemens Aktiengesellschaft, Munich (DE)**
(**) **Term:** **14 Years**
(21) **Appl. No.:** **29/178,957**
(22) **Filed:** **Apr. 2, 2003**
(30) **Foreign Application Priority Data**

Oct. 2, 2002 (DE) 402 08 345

(51) **LOC (7) Cl.** **14-03**
(52) **U.S. Cl.** **D14/138**
(58) **Field of Search** D14/137, 138, D14/218, 147-148, 247-248, 144, 206, 205, 223, 341-347, 156, 496; 379/433.01-433.13, 419, 434, 428.01-428.04, 420.01-420.04, 440; 455/550.1-90.3; D21/517, 329, 331; D13/168; D18/2, 7; 345/168, 169; D10/65

(56) **References Cited**

U.S. PATENT DOCUMENTS

D317,483 S * 6/1991 Wiggs et al. D21/517
D326,451 S * 5/1992 Roegner D14/138
D411,539 S * 6/1999 Nagai et al. D14/218
D416,016 S * 11/1999 Hughes et al. D14/147
D430,129 S * 8/2000 Sillers D14/147
D433,001 S * 10/2000 Haase et al. D14/137
6,206,257 B1 * 3/2001 Peele et al. 224/197
D457,149 S * 5/2002 Arpe D14/138
D468,280 S * 1/2003 Kim et al. D14/138
D469,367 S * 1/2003 Mirabelli et al. D10/65

6,545,588 B1 * 4/2003 Wicks et al. 340/7.21
6,593,914 B1 * 7/2003 Nuovo et al. 345/169
D480,697 S * 10/2003 Lee et al. D14/138
D482,010 S * 11/2003 Nuovo et al. D14/138
D487,065 S * 2/2004 Murray D13/168
D487,068 S * 2/2004 Isaacs et al. D14/138
D487,440 S * 3/2004 Langford D14/138
D487,733 S * 3/2004 Lucaci et al. D14/138
D487,735 S * 3/2004 Wu et al. D14/138
D490,791 S * 6/2004 Pitt et al. D14/138
2003/0044000 A1 * 3/2003 Kfoury et al. 379/433.04
2004/0014486 A1 * 1/2004 Carlton et al. 455/550.1

FOREIGN PATENT DOCUMENTS

WO DM/050741 * 8/1999
WO DM/063340 * 4/2003

* cited by examiner

Primary Examiner—Jeffrey Asch
(74) *Attorney, Agent, or Firm*—Bell, Boyd & Lloyd LLC

(57) **CLAIM**

The ornamental design for a mobile phone, as shown and described.

DESCRIPTION

FIG. 1 is a front elevational view of a mobile phone of the claimed design.
FIG. 2 is a rear elevational view of the mobile phone of FIG. 1.
FIG. 3 is a top view of the mobile phone of FIG. 1.
FIG. 4 is a bottom view of the mobile phone of FIG. 1.
FIG. 5 is a right side view of the mobile phone of FIG. 1.
FIG. 6 is a left side view of the mobile phone of FIG. 1; and, FIG. 7 is a perspective view of the mobile phone of FIG. 1.

1 Claim, 7 Drawing Sheets

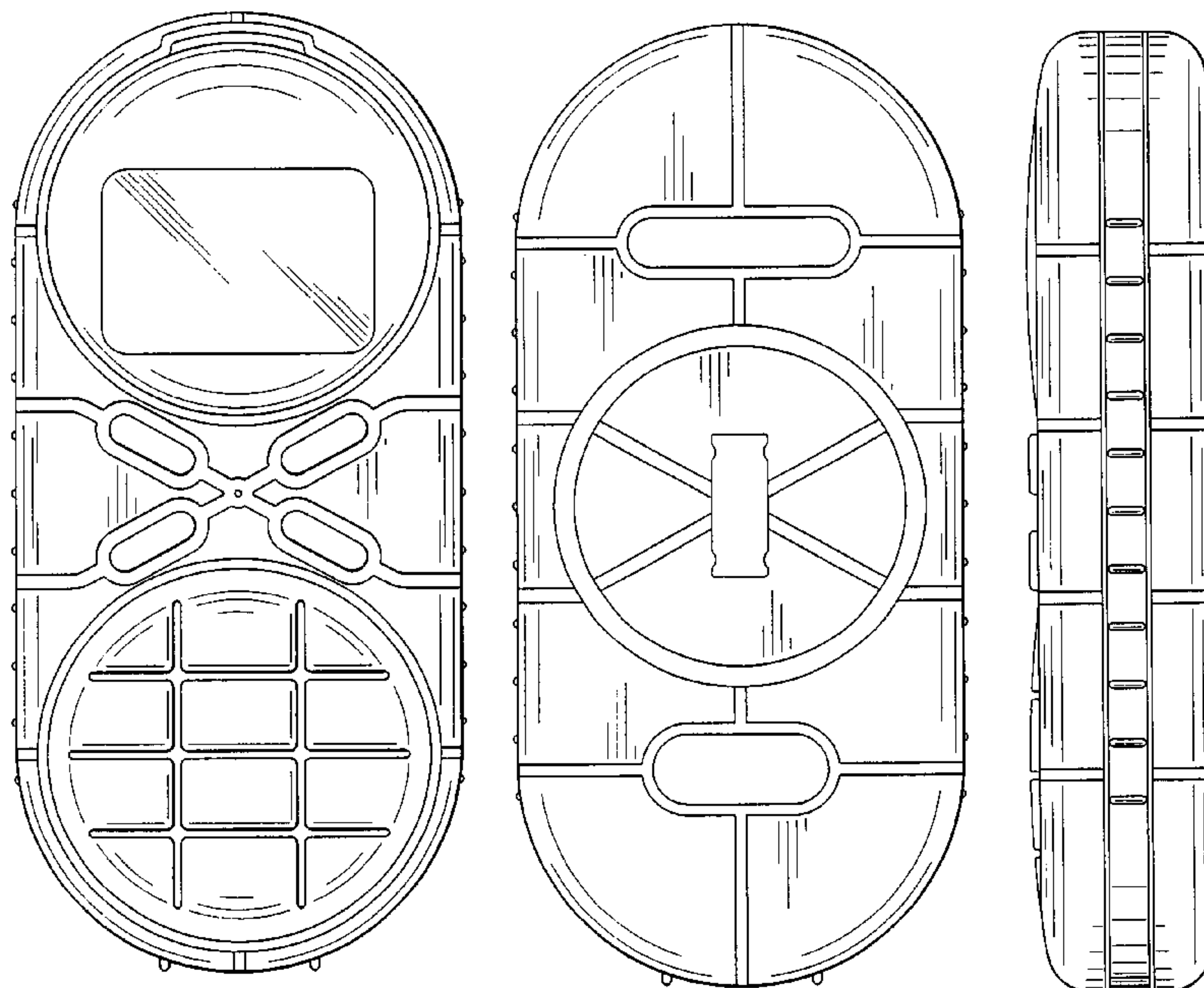


FIG.1

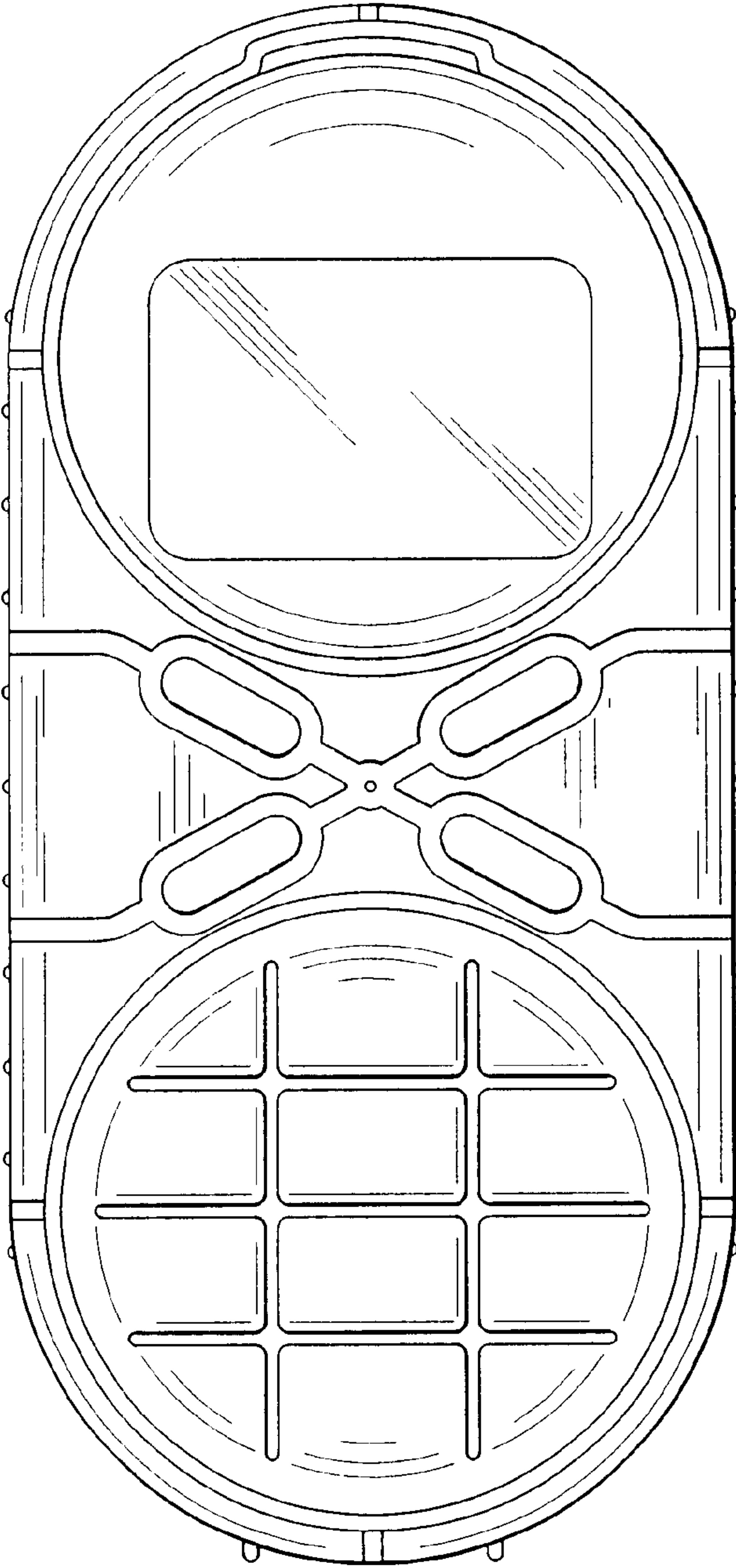


FIG. 2

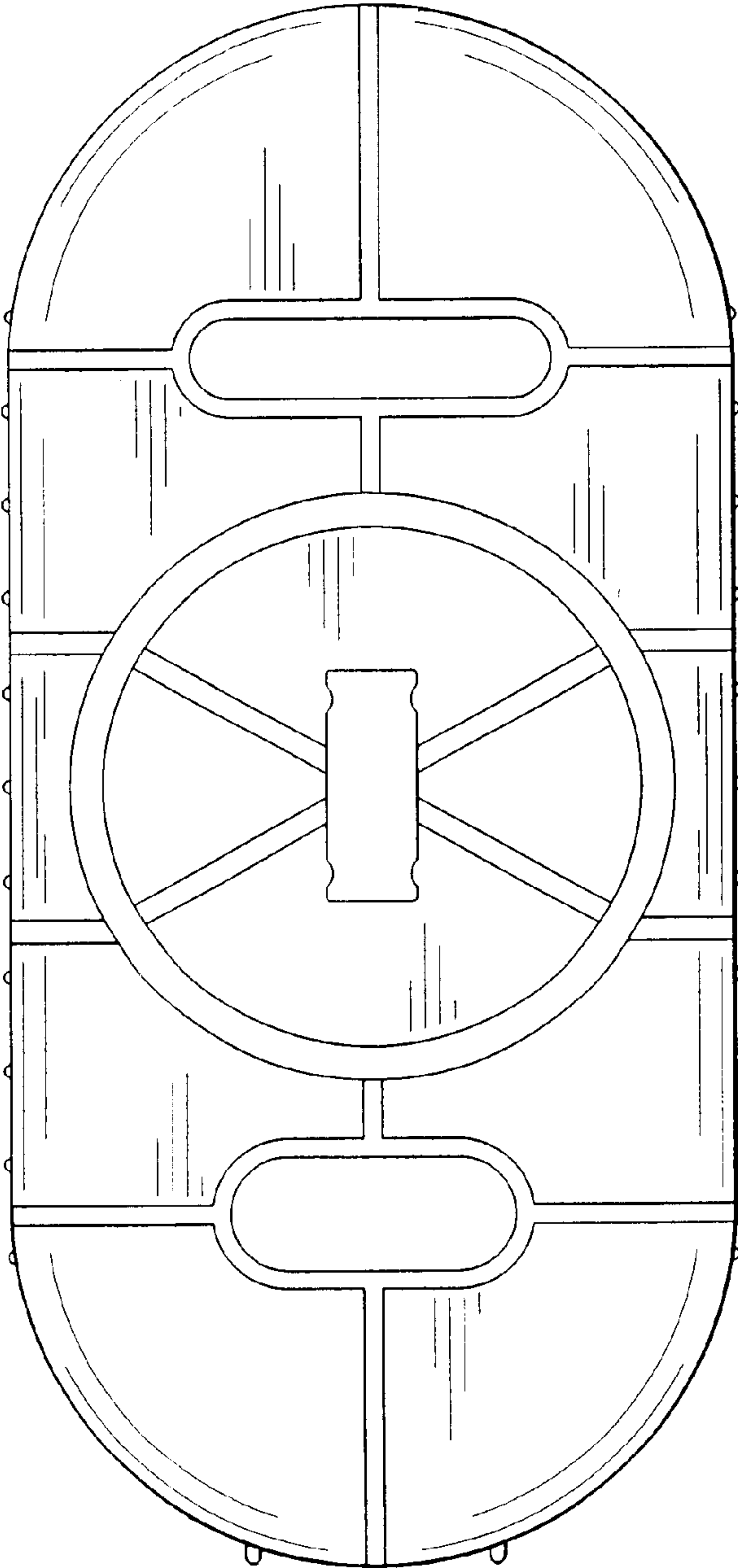


FIG. 3

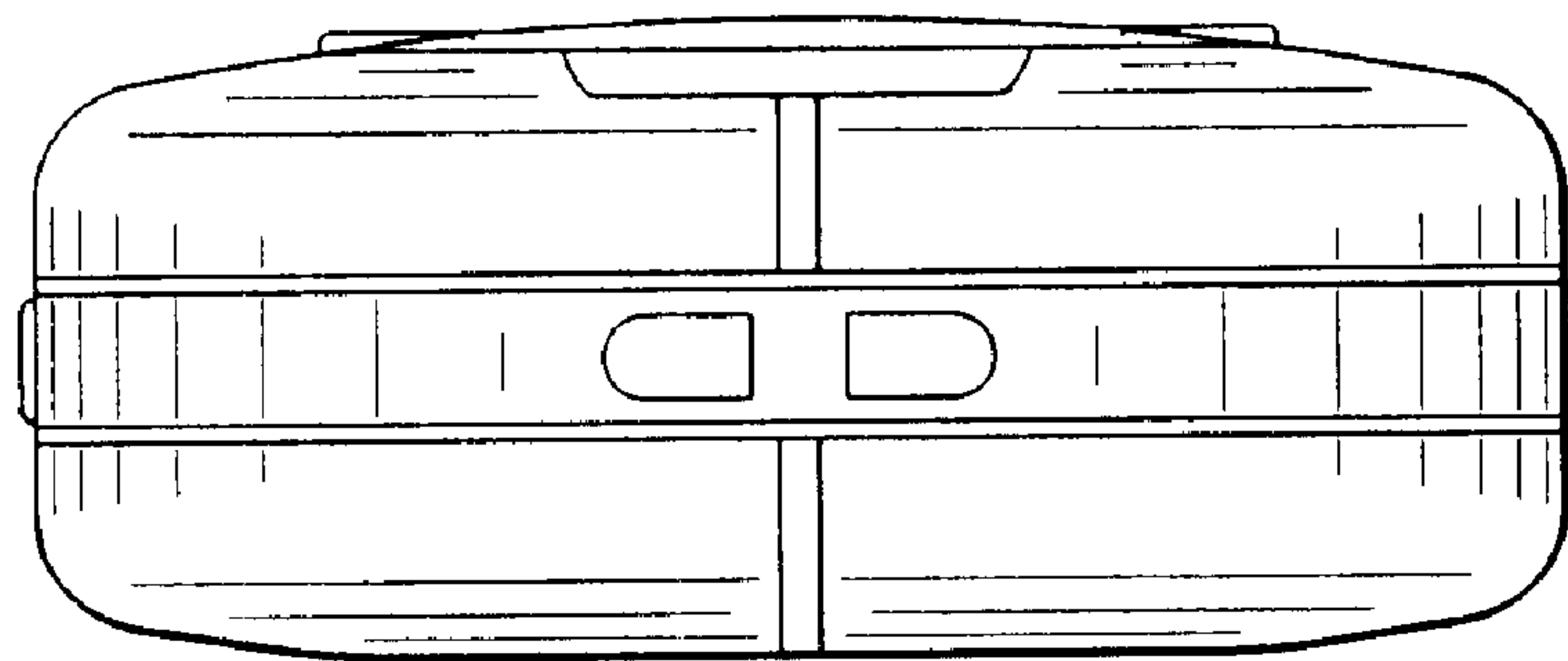


FIG. 4

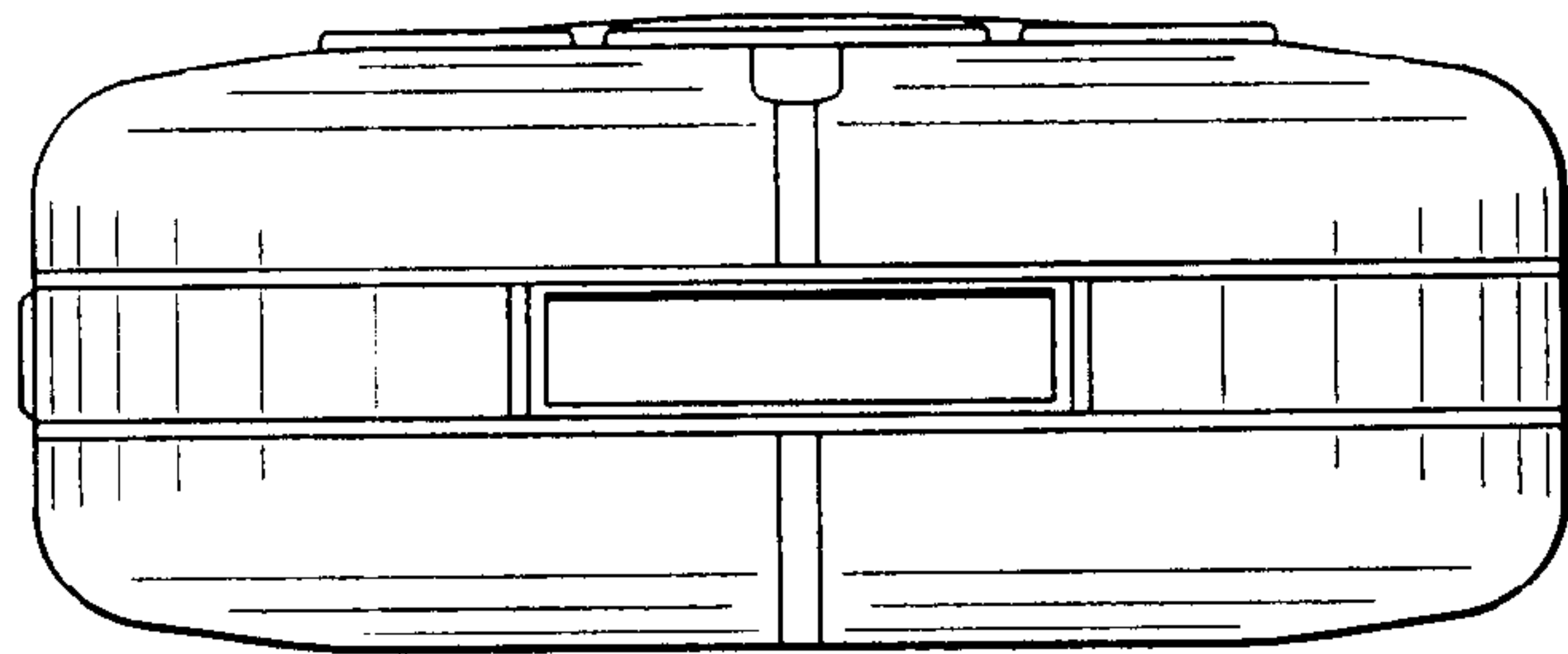


FIG. 5

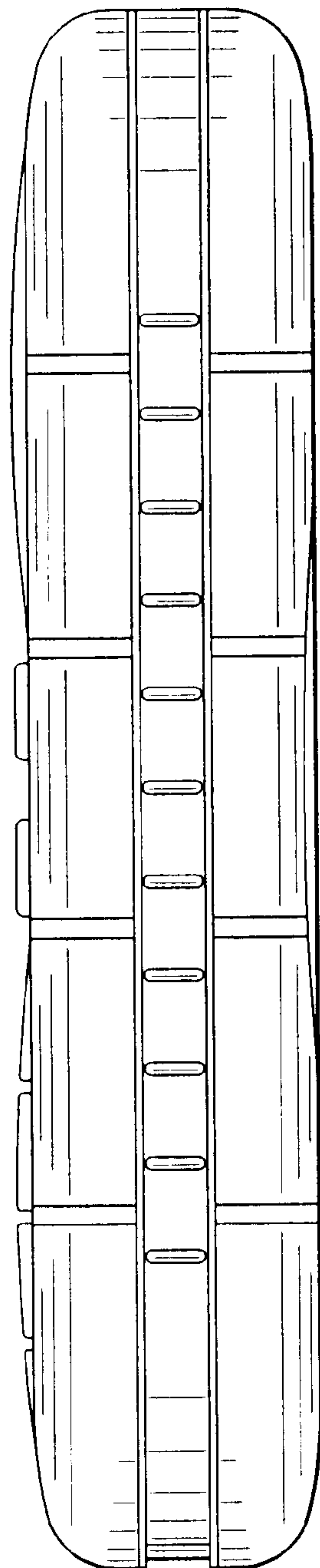


FIG. 6

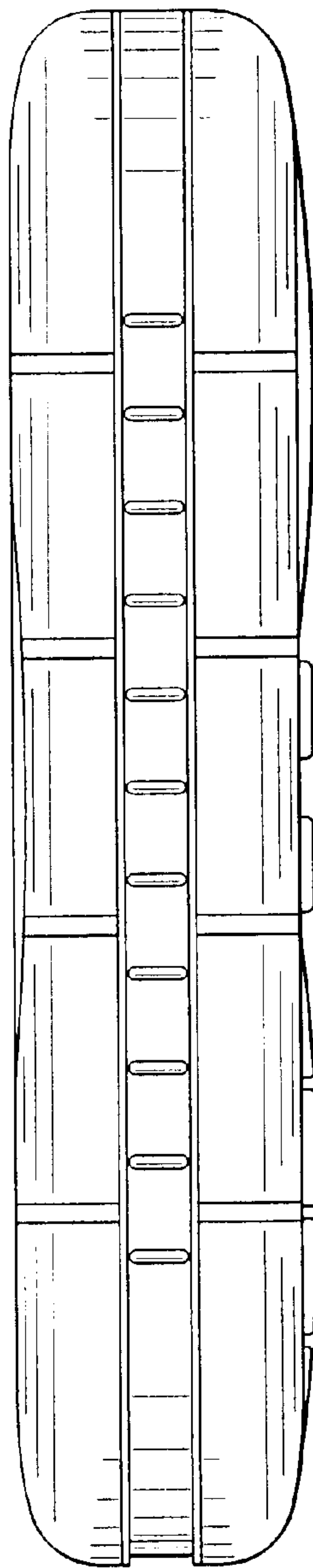


FIG. 7

