

US00D498213S

(12) **United States Design Patent** (10) **Patent No.:** **US D498,213 S**  
**Savicki, Jr. et al.** (45) **Date of Patent:** **\*\* Nov. 9, 2004**

(54) **ROCKER SWITCH FOR AN ELECTRICAL DEVICE**

D403,306 S \* 12/1998 LeClair et al. .... D13/169  
2002/0139655 A1 \* 10/2002 Balabon et al. .... 200/525

(75) Inventors: **Gerald R. Savicki, Jr.**, Canastota, NY (US); **Benjamin Coley**, Vimont (CA); **Francois Duval**, Terrebonne (CA); **Gad Shaanan**, La Jolla, CA (US)

\* cited by examiner

*Primary Examiner*—Stella Reid  
*Assistant Examiner*—Selina Sikder  
(74) *Attorney, Agent, or Firm*—William Greener

(73) Assignee: **Pass & Seymour, Inc.**, Syracuse, NY (US)

(57) **CLAIM**

The ornamental design for a rocker switch for an electrical device, as shown and described.

(\*\*) Term: **14 Years**

**DESCRIPTION**

(21) Appl. No.: **29/198,260**

FIG. 1 is a perspective view of the rocker switch for an electrical device of embodiment one showing our new design;

(22) Filed: **Jan. 27, 2004**

FIG. 2 is a front elevation view thereof;

(51) **LOC (7) Cl.** ..... **13-03**

(52) **U.S. Cl.** ..... **D13/169**

(58) **Field of Search** ..... D13/169, 174;  
200/6 R, 296, 302.3, 315, 330, 339, 525,  
553

FIG. 3 is a right side elevation view, the left side elevation view being a mirror image thereof;

FIG. 4 is a top plan view of the switch thereof; and,

FIG. 5 is a perspective view of FIG. 1 according to a second embodiment wherein the oval shape detail of the front surface is omitted.

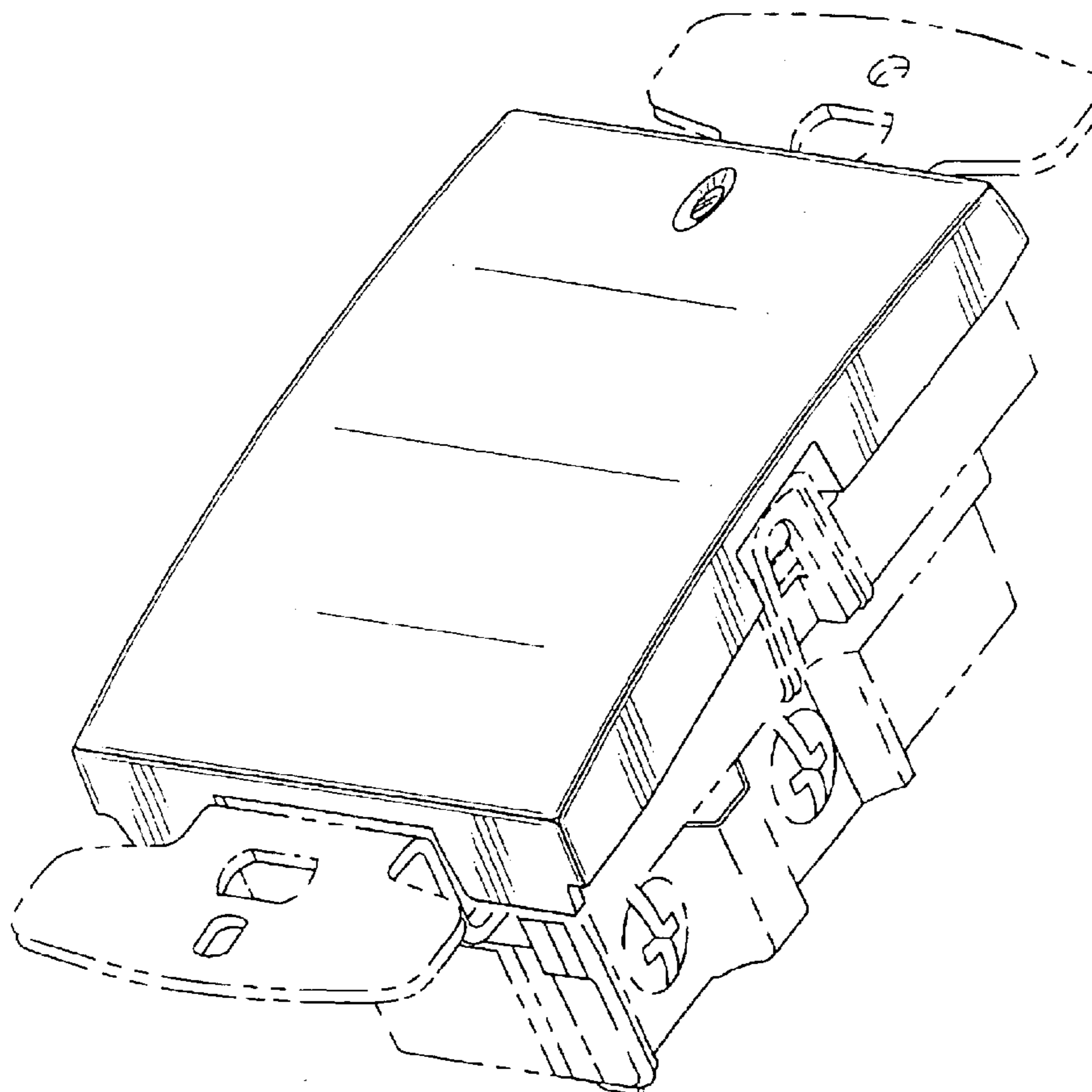
In FIGS. 1–5, the broken line illustration of the environmental structure forms no part of the claimed invention.

(56) **References Cited**

**U.S. PATENT DOCUMENTS**

3,673,358 A \* 6/1972 Harmon ..... 200/6 R  
D341,568 S \* 11/1993 Sorenson et al. .... D13/174  
D369,143 S \* 4/1996 Sorenson ..... D13/169

**1 Claim, 3 Drawing Sheets**



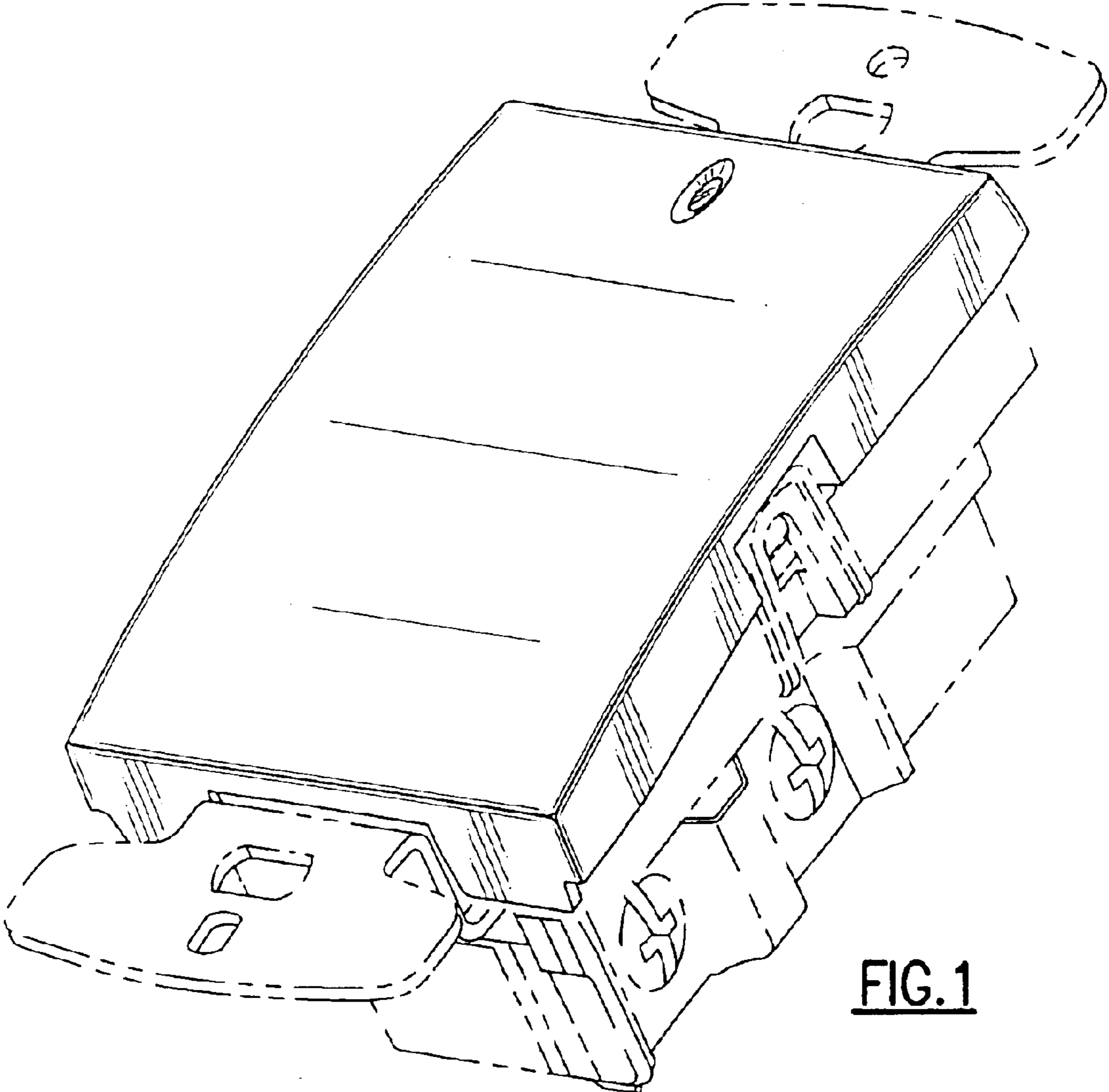


FIG. 1

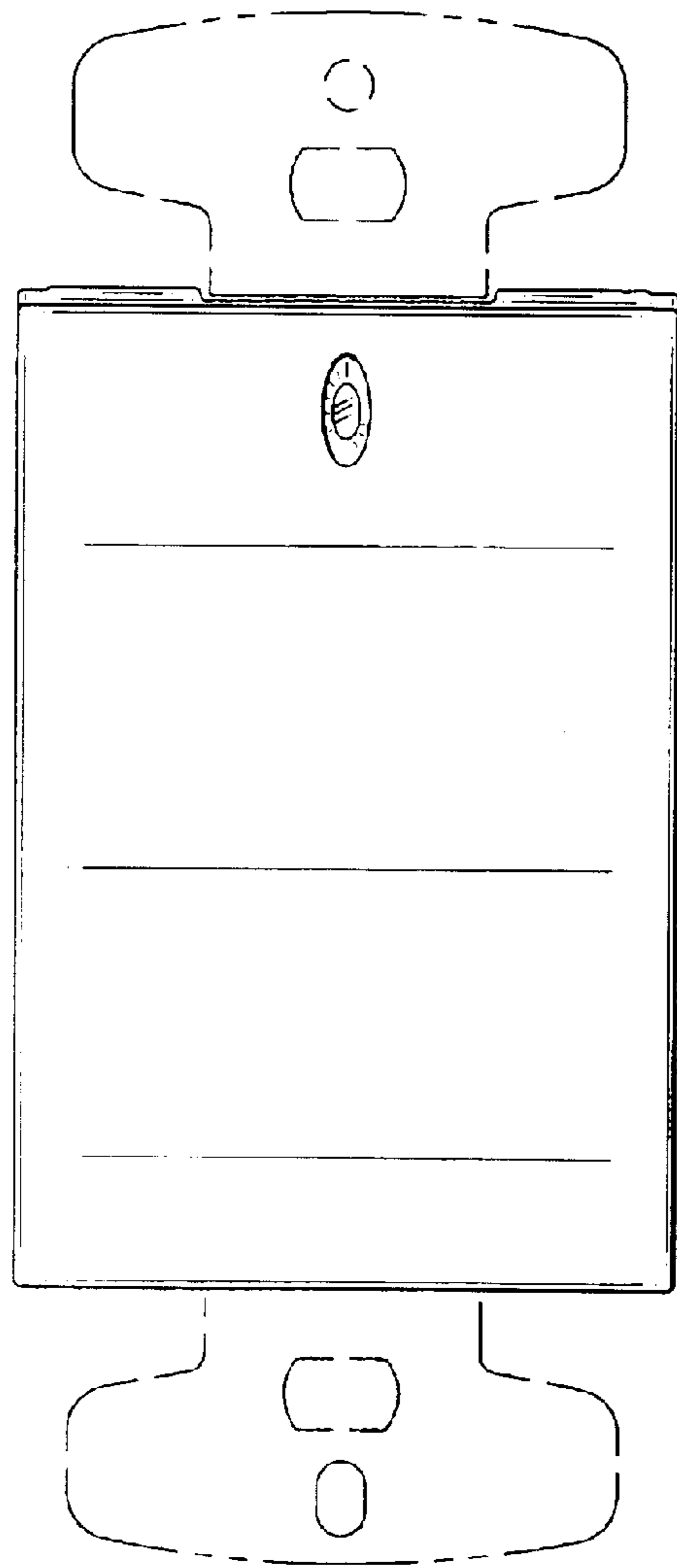


FIG. 2

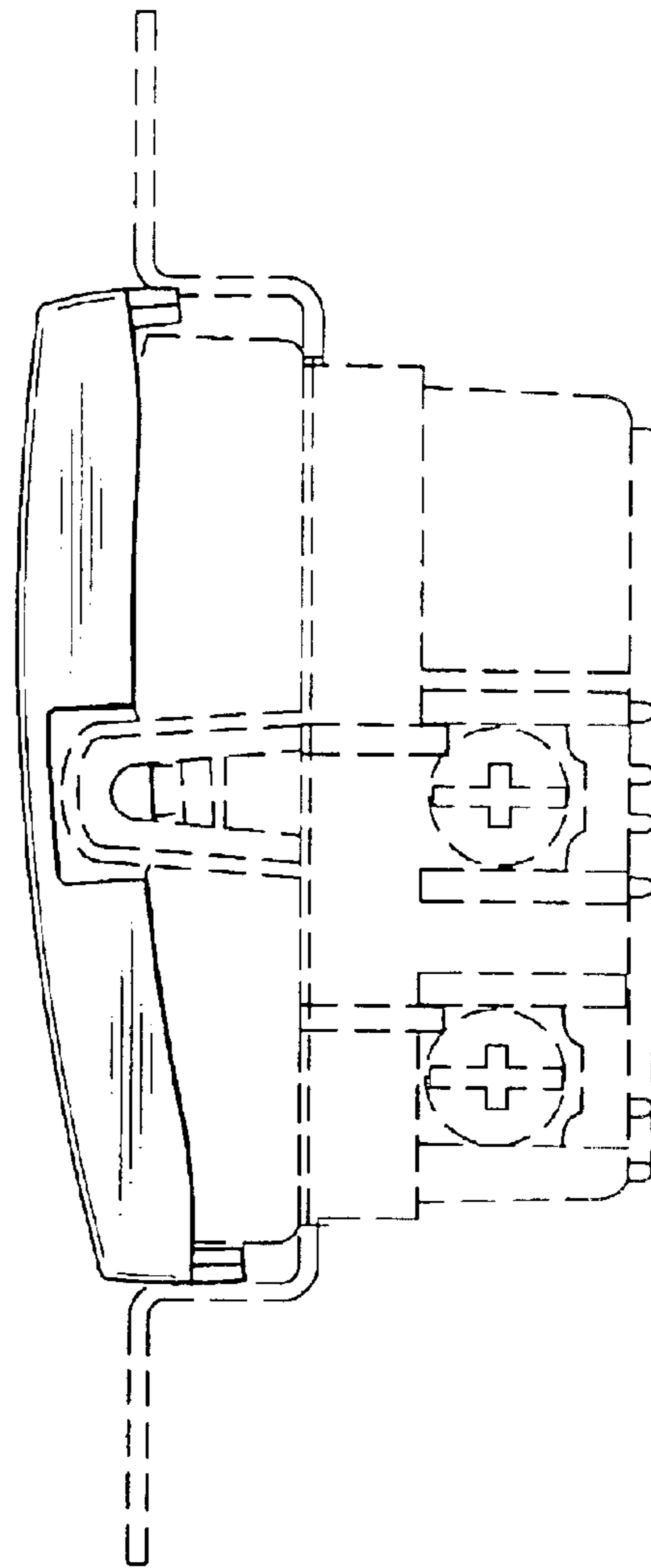


FIG. 3

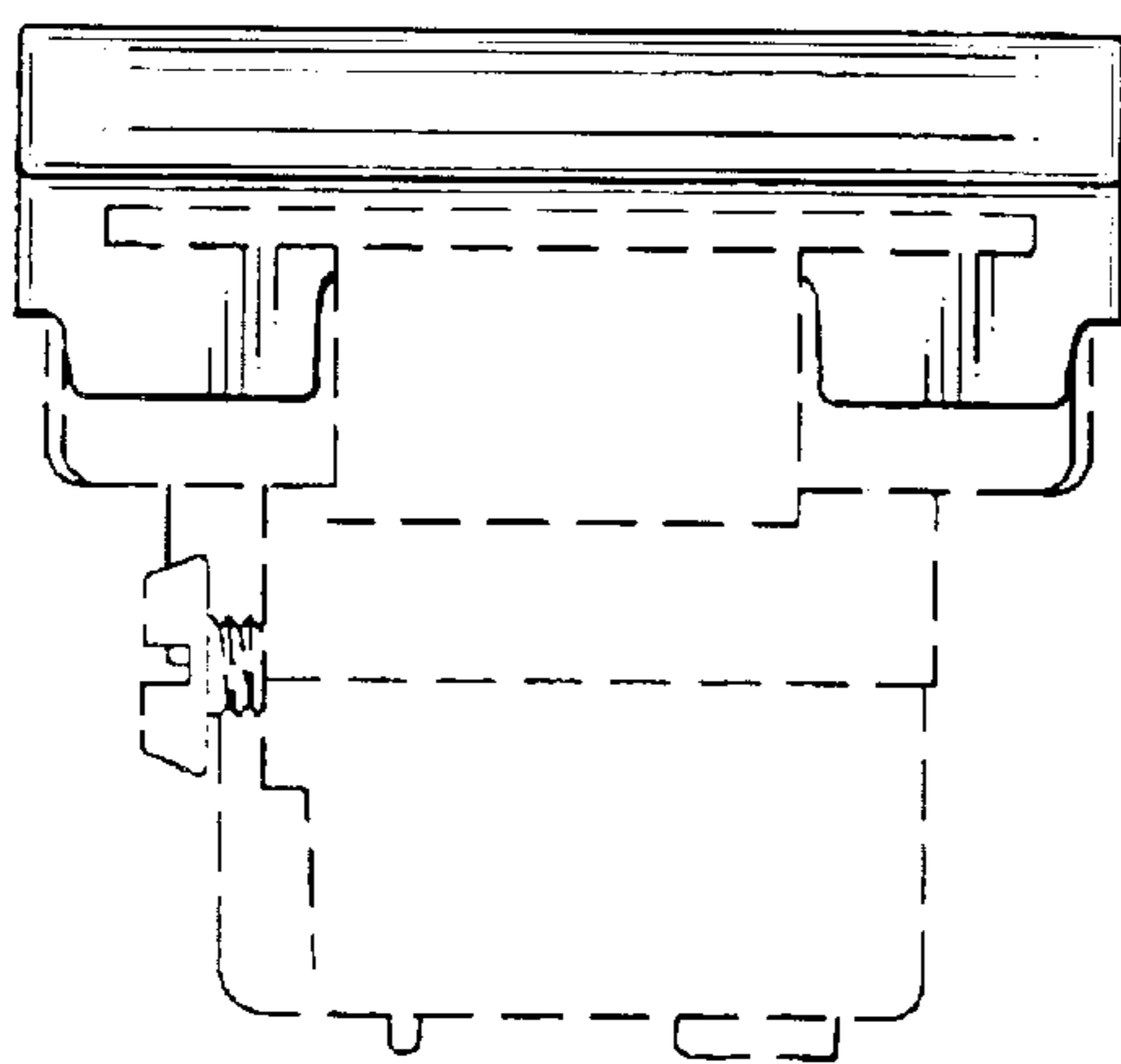


FIG. 4

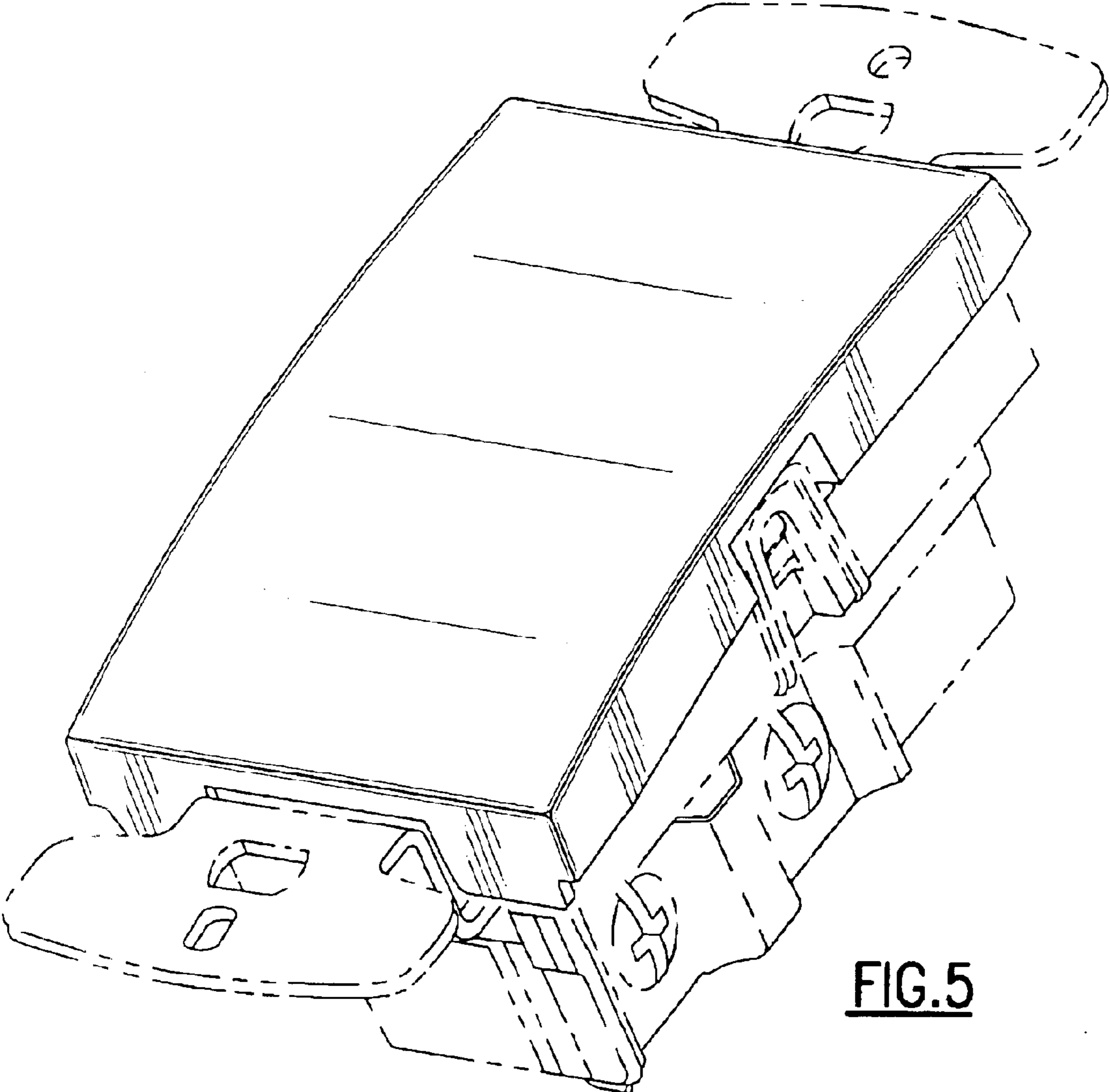


FIG. 5