

US00D498212S

(12) **United States Design Patent**
Kim

(10) **Patent No.:** **US D498,212 S**

(45) **Date of Patent:** **** Nov. 9, 2004**

(54) **BREAKER FOR ELECTRIC RAILROAD LINE**

(75) **Inventor:** **Han Byul Kim**, Cheongju-shi (KR)

(73) **Assignee:** **LG Industrial Systems Co., Ltd.**, Seoul (KR)

(**) **Term:** **14 Years**

(21) **Appl. No.:** **29/180,004**

(22) **Filed:** **Apr. 18, 2003**

(30) **Foreign Application Priority Data**

Nov. 29, 2002 (KR) 30-2002-0034276

(51) **LOC (7) Cl.** **13-03**

(52) **U.S. Cl.** **D13/160**

(58) **Field of Search** D13/137.3, 159, D13/160, 162.1, 178; 200/50.26, 17 R, 144 R, 197 R, 244, 304, 307, 318, 400, 401, 552; 218/157; 335/13, 16, 20, 35, 172, 167, 202; 361/93.3, 115, 173, 652, 673

(56) **References Cited**

U.S. PATENT DOCUMENTS

- D319,627 S * 9/1991 Smith et al. D13/160
- D320,386 S * 10/1991 Saunders et al. D13/160
- 5,120,921 A * 6/1992 DiMarco et al. 200/401

- 5,302,788 A * 4/1994 Link et al. 200/401
- D367,265 S * 2/1996 Yamagata et al. D13/160
- 5,608,367 A * 3/1997 Zoller et al. 335/132
- 6,361,848 B1 * 3/2002 Katsube et al. 428/70
- 6,396,370 B2 * 5/2002 Leone et al. 335/35
- 6,479,774 B1 * 11/2002 Castonguay et al. 200/401

* cited by examiner

Primary Examiner—Stella Reid
Assistant Examiner—Selina Sikder

(74) *Attorney, Agent, or Firm*—Birch, Stewart, Kolasch & Birch, LLP

(57) **CLAIM**

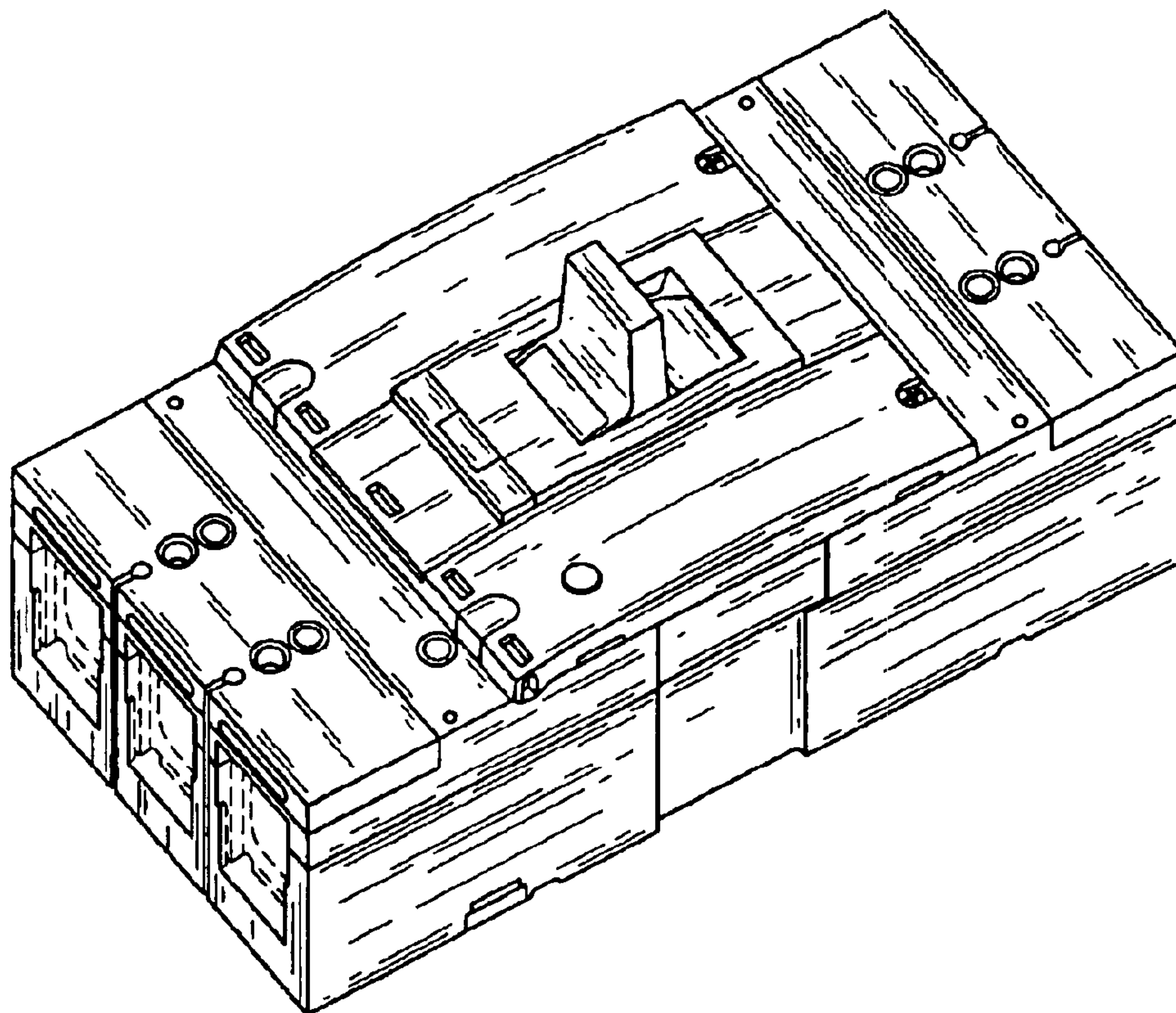
The ornamental design for <a breaker for electric railroad line>, as shown and described.

DESCRIPTION

FIG. 1 is a perspective view of < a breaker for electric railroad line > showing the new design; FIG. 2 is a front elevation view thereof; FIG. 3 is a rear elevation view thereof; FIG. 4 is a left-side elevation view thereof; FIG. 5 is a right-side elevation view thereof; FIG. 6 is a top plan view thereof; and, FIG. 7 is a bottom plan view thereof.

The broken line showing of the environment is for illustrative purposes only and forms no part of the claimed design.

1 Claim, 4 Drawing Sheets



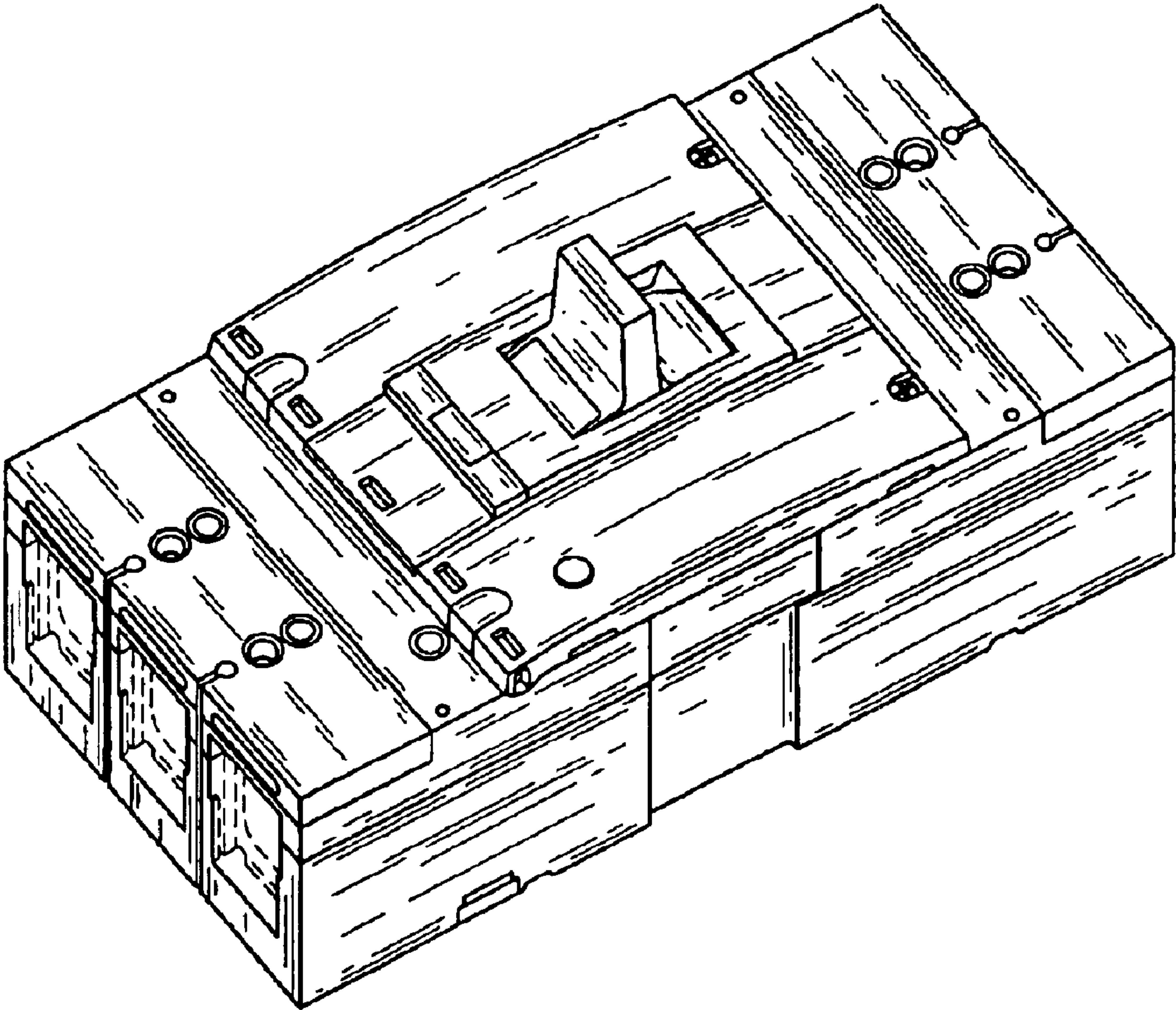


FIG. 1

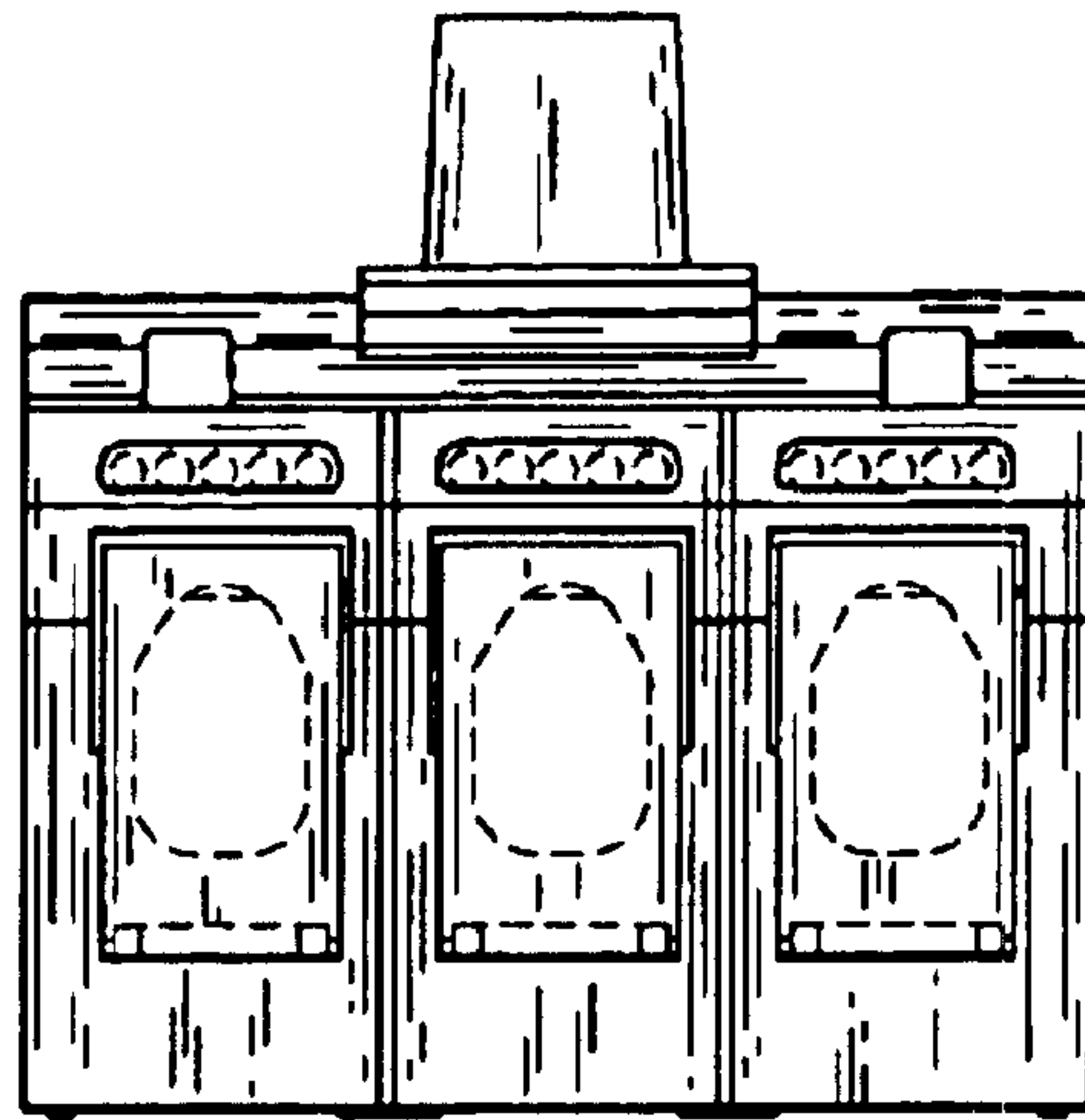


FIG. 2

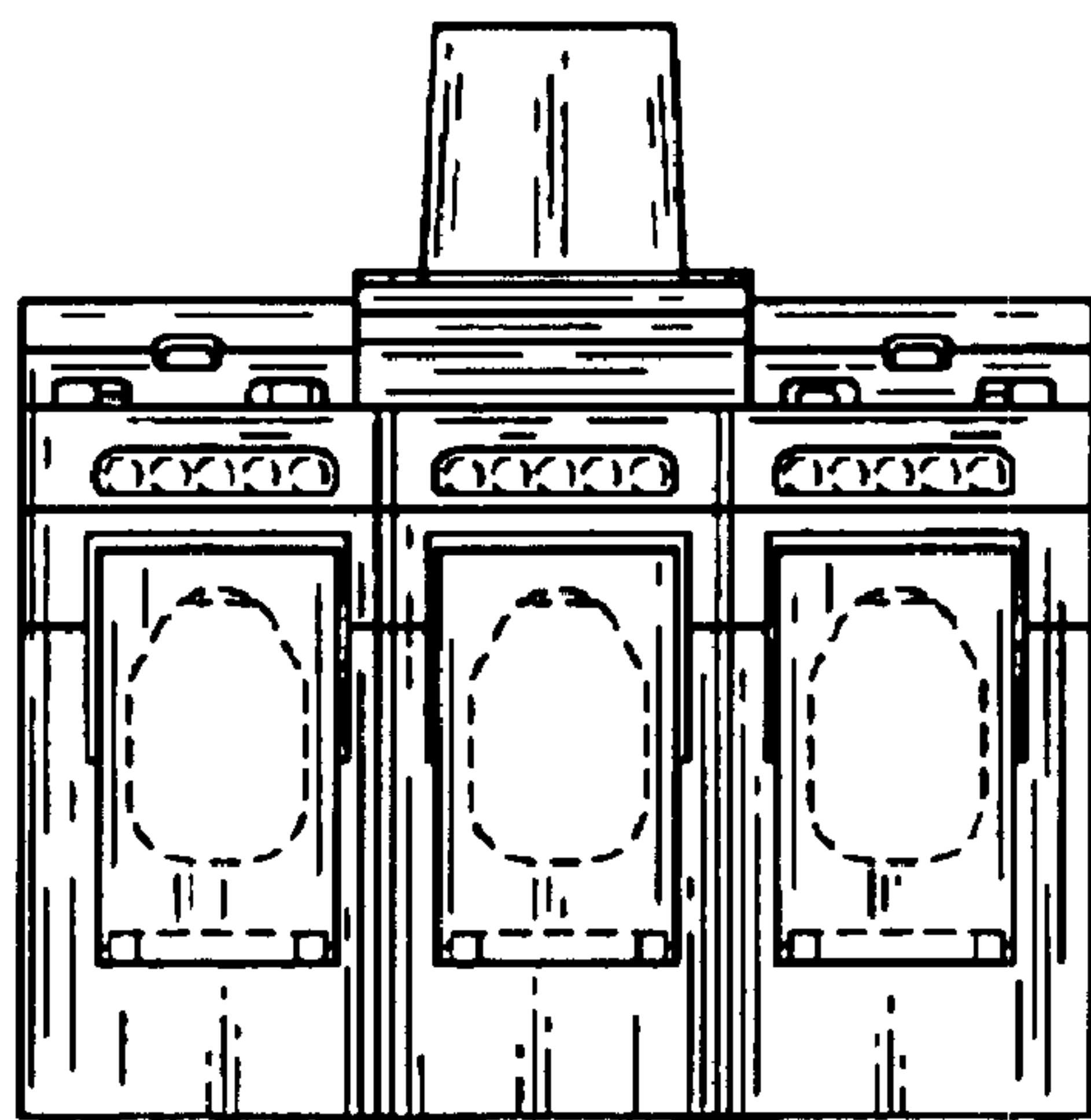


FIG. 3

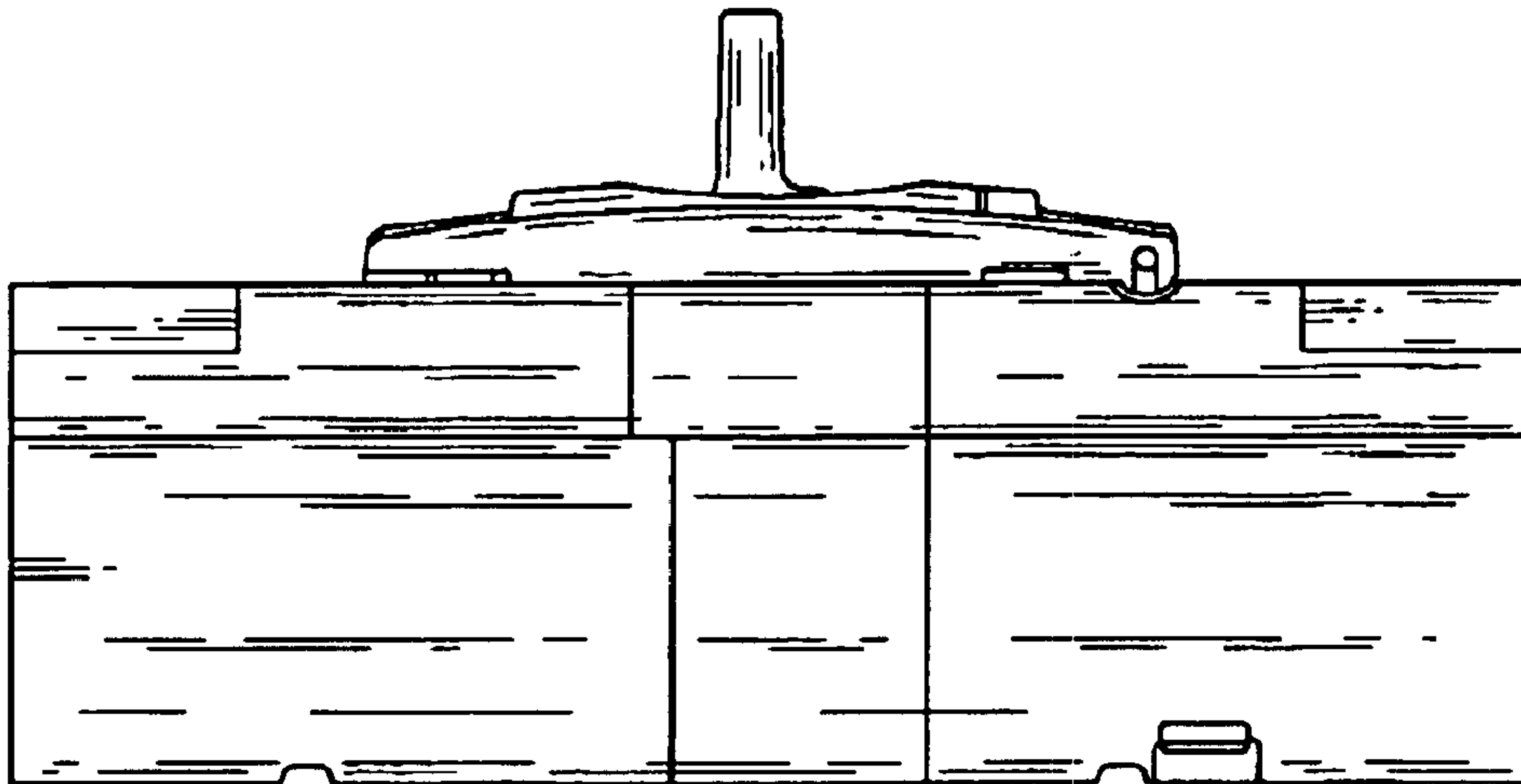


FIG. 4

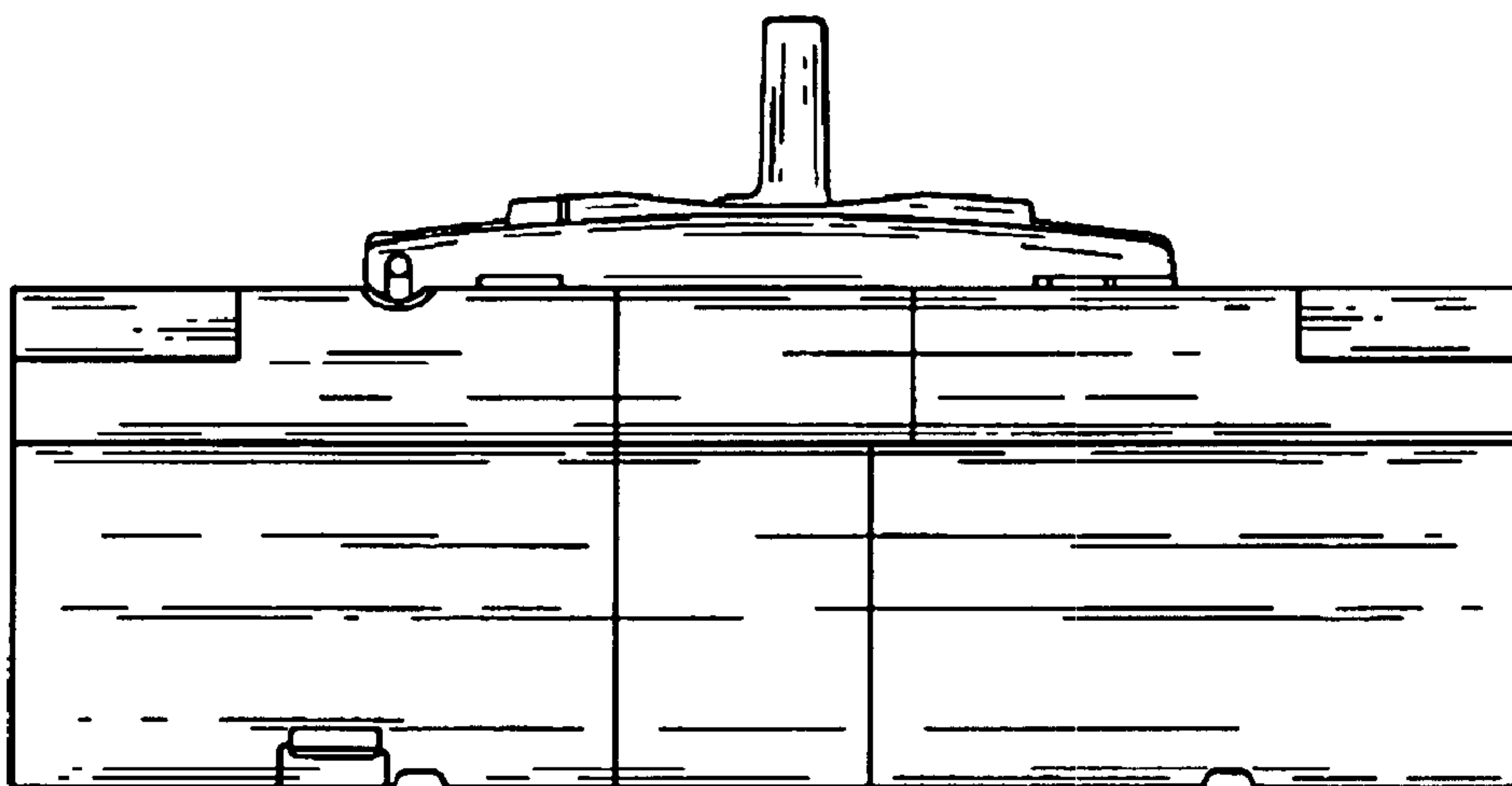


FIG. 5

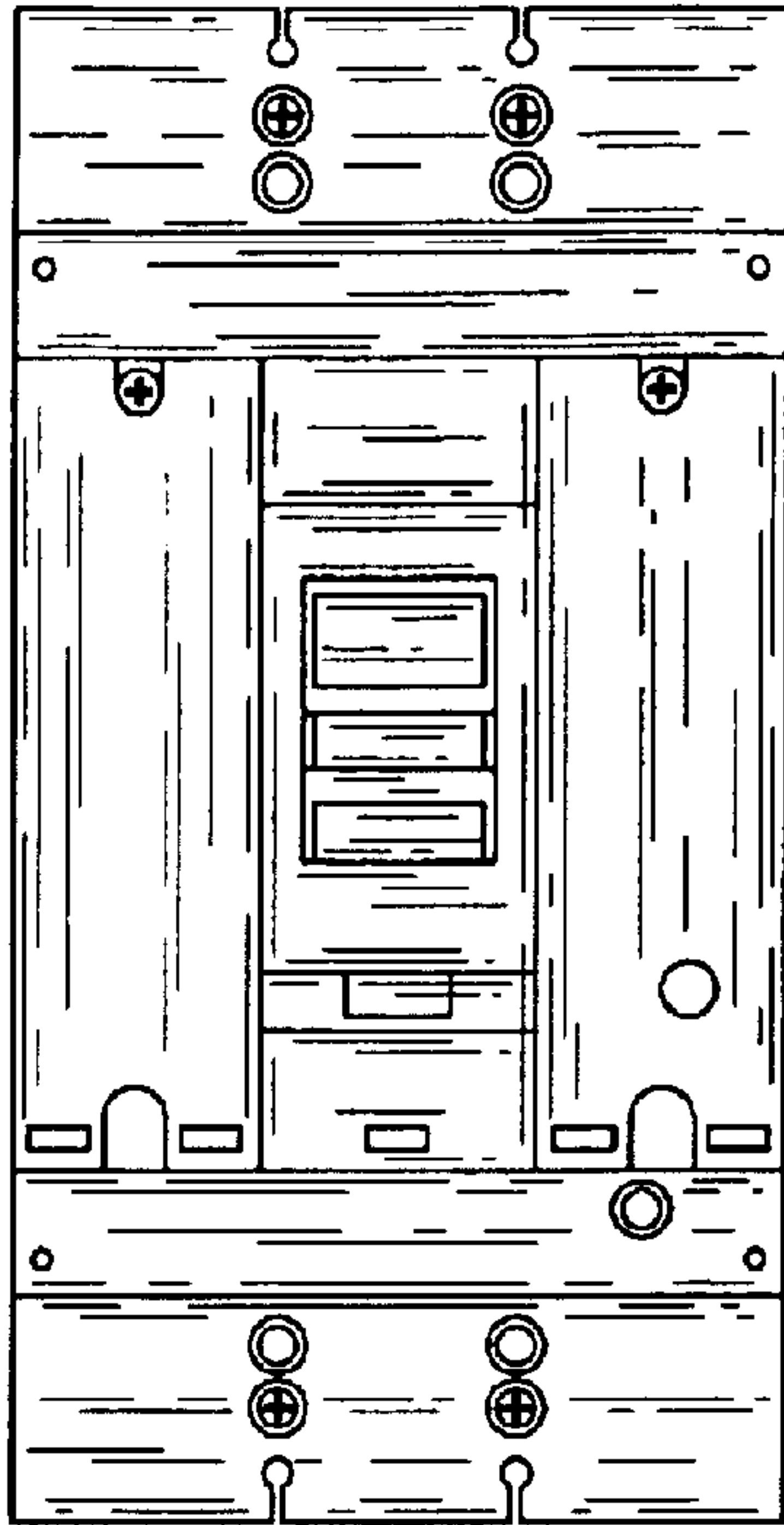


FIG.6

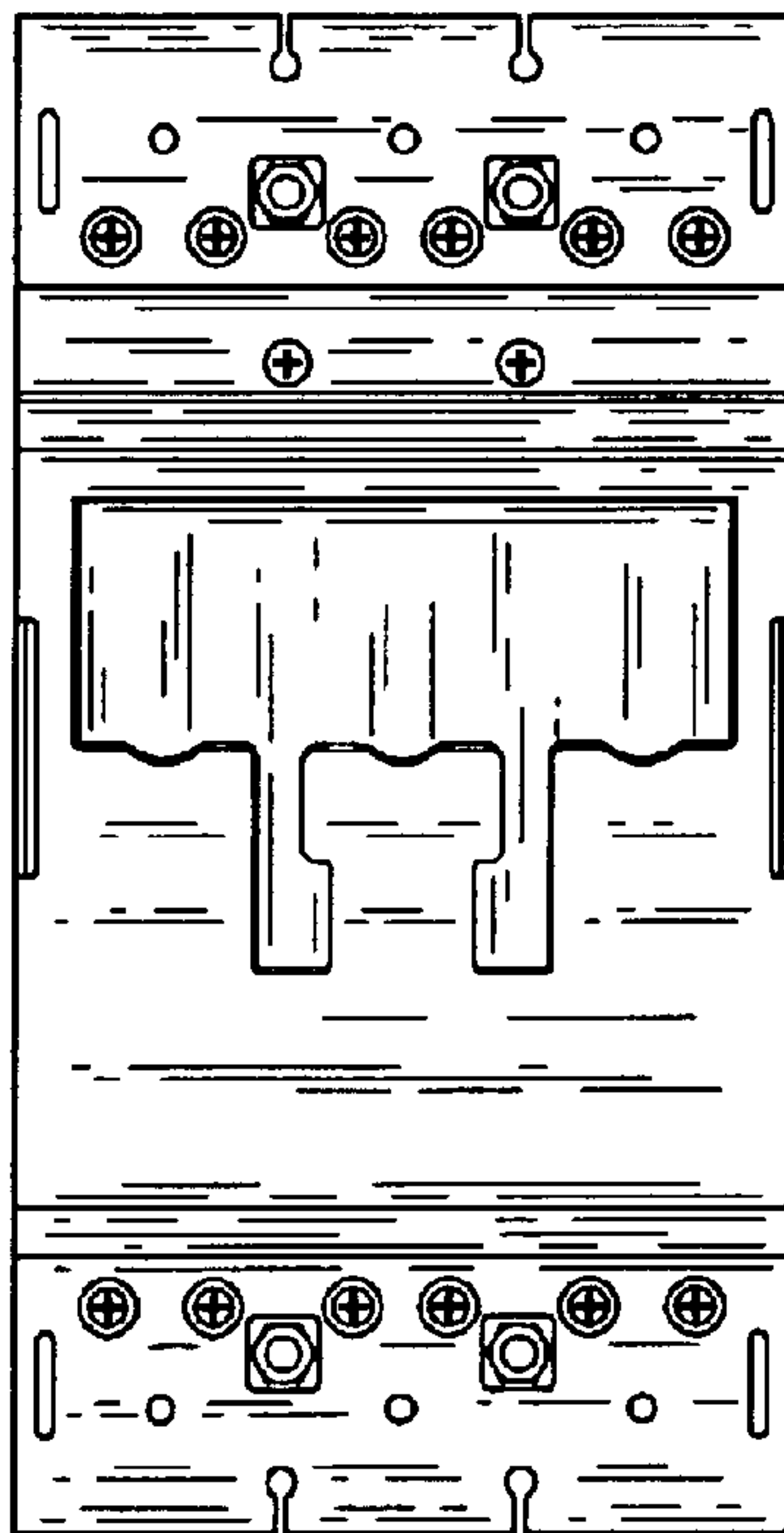


FIG.7