

US00D498209S

(12) **United States Design Patent**  
**Wang et al.**

(10) **Patent No.:** **US D498,209 S**

(45) **Date of Patent:** **\*\* Nov. 9, 2004**

(54) **WIRE CONNECTED MODULAR JACK**

(75) Inventors: **Wei Che Wang**, Tu-Chen (TW); **Chin Te Lai**, Tu-chen (TW)

(73) Assignee: **Hon Hai Precision Ind. Co., Ltd.**,  
Taipei Hsien (TW)

(\*\*) Term: **14 Years**

(21) Appl. No.: **29/172,278**

(22) Filed: **Dec. 9, 2002**

(51) **LOC (7) Cl.** ..... **13-03**

(52) **U.S. Cl.** ..... **D13/133; D13/147**

(58) **Field of Search** ..... **D13/133, 147,**  
**D13/146; D14/256; 439/607, 609, 676,**  
**670**

(56) **References Cited**

**U.S. PATENT DOCUMENTS**

5,378,172 A	*	1/1995	Roberts	.....	439/607
D393,264 S	*	4/1998	Leung et al.	.....	D14/256
D400,859 S	*	11/1998	Tulley et al.	.....	D13/147
D417,434 S	*	12/1999	Chang	.....	D13/147

D418,109 S	*	12/1999	Lok	.....	D13/133
D444,771 S	*	7/2001	Wu	.....	D13/147
D450,657 S	*	11/2001	Wu	.....	D13/147
D461,450 S	*	8/2002	Cheng et al.	.....	D13/133
D461,772 S	*	8/2002	Zhou	.....	D13/133
D462,055 S	*	8/2002	Shi et al.	.....	D13/133

\* cited by examiner

*Primary Examiner*—Philip S. Hyder

(74) *Attorney, Agent, or Firm*—Wei Te Chung

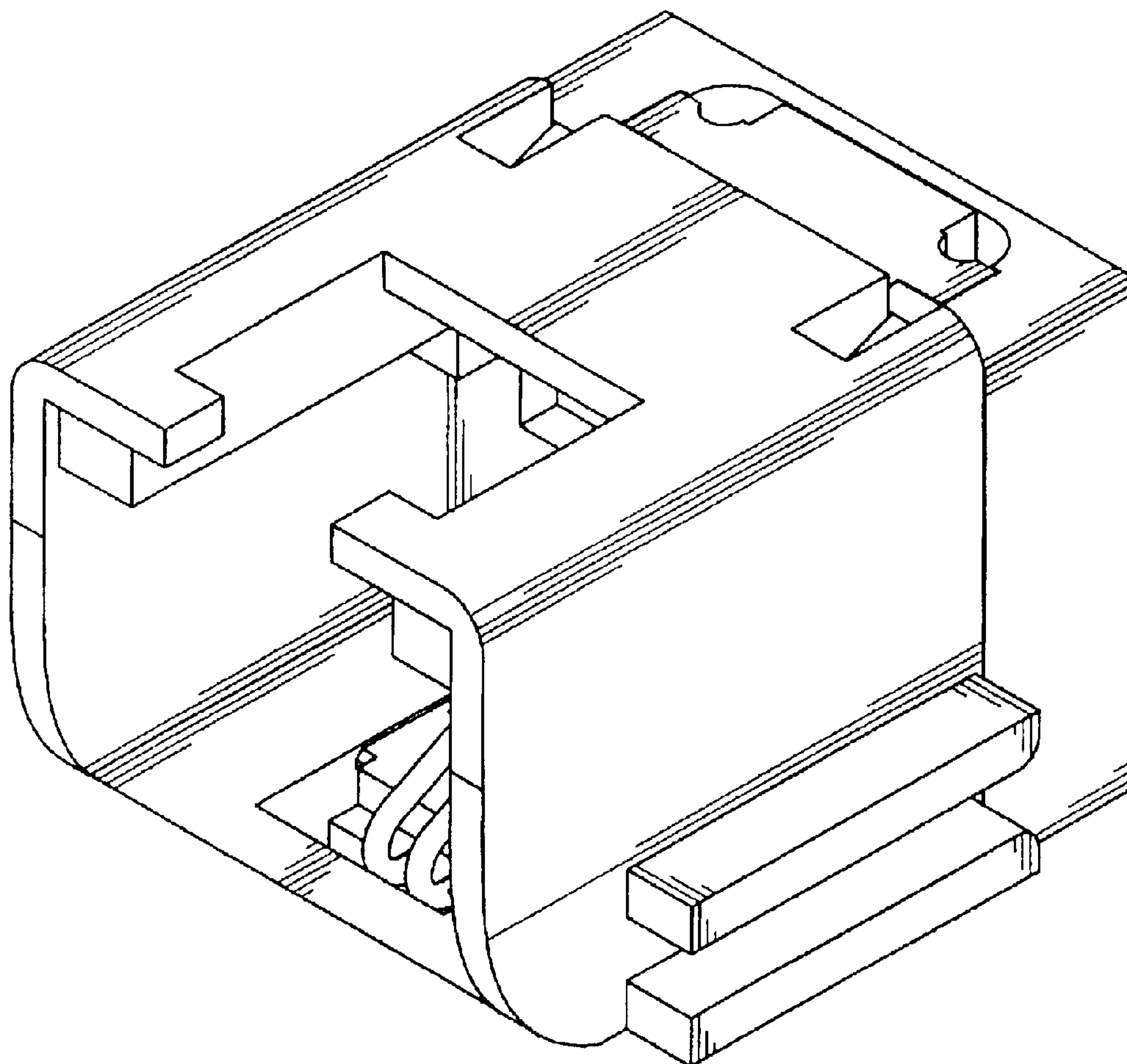
(57) **CLAIM**

The ornamental design for a wire connected modular jack, as shown.

**DESCRIPTION**

FIG. 1 is a front, top, and right side perspective view of a wire connected modular jack showing my new design; FIG. 2 is a front elevational view thereof; FIG. 3 is a rear elevational view thereof; FIG. 4 is a left side elevational view thereof; FIG. 5 is a right side elevational view thereof; and, FIG. 6 is a top plan view thereof.

**1 Claim, 6 Drawing Sheets**



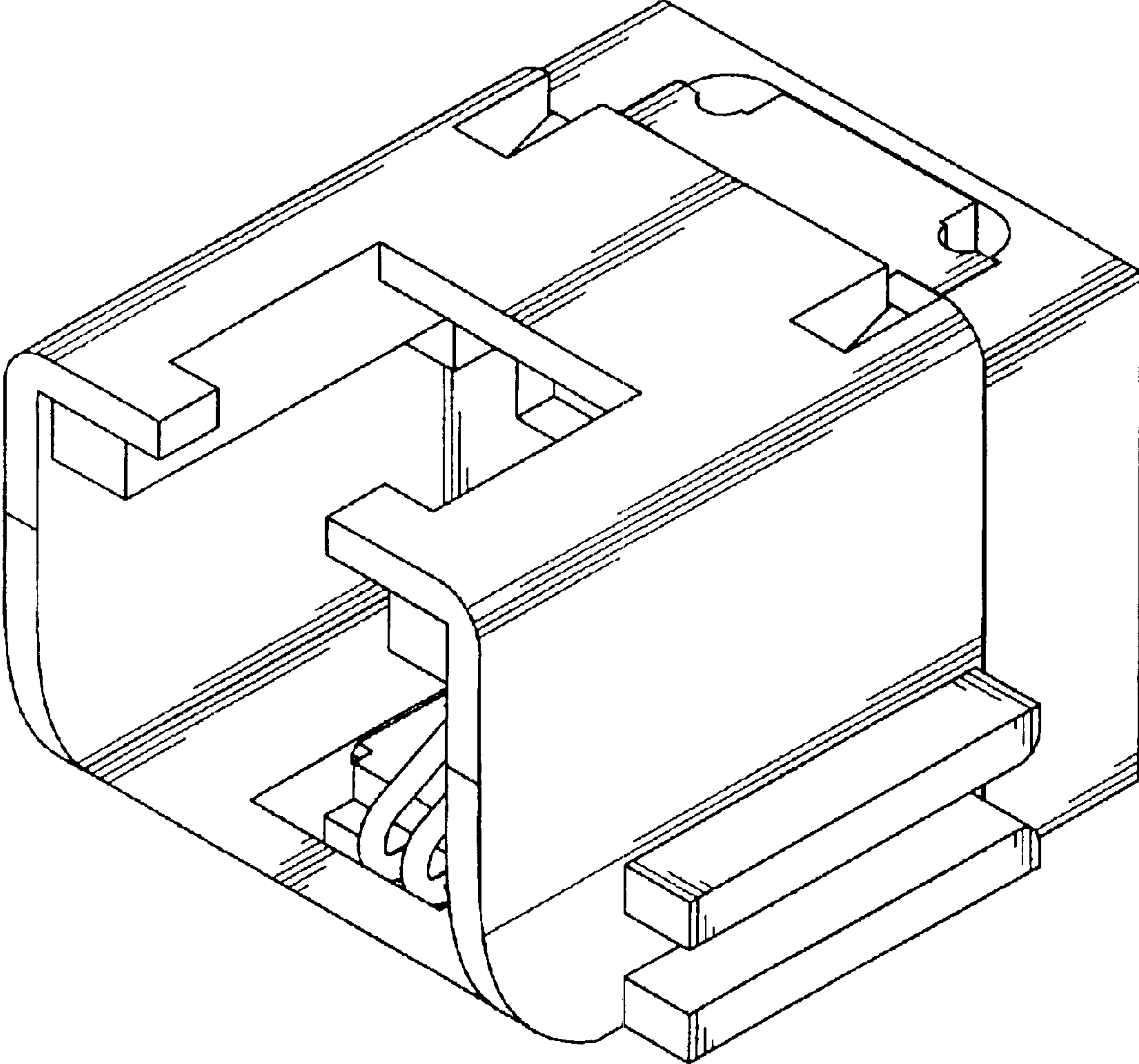


FIG. 1

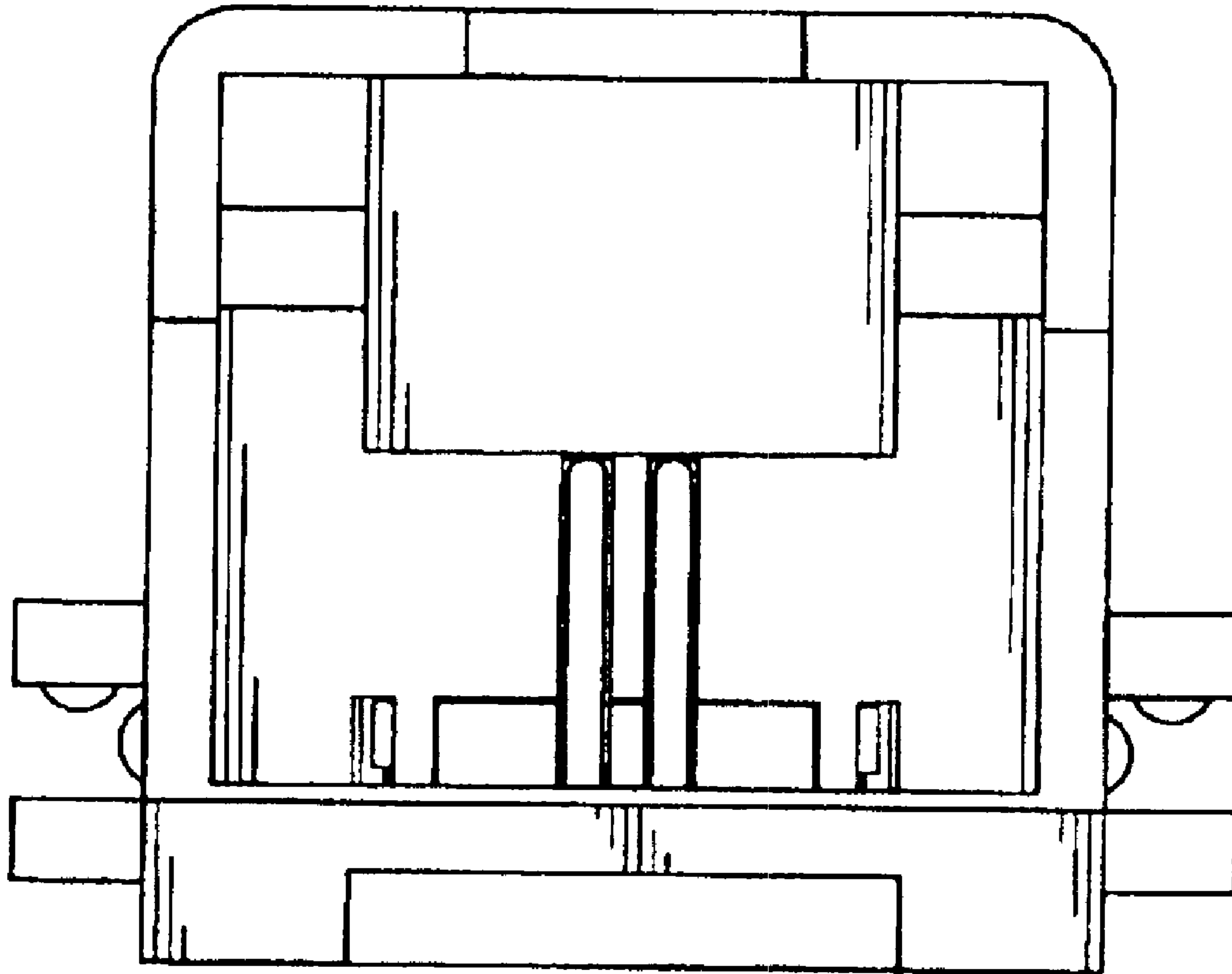


FIG. 2

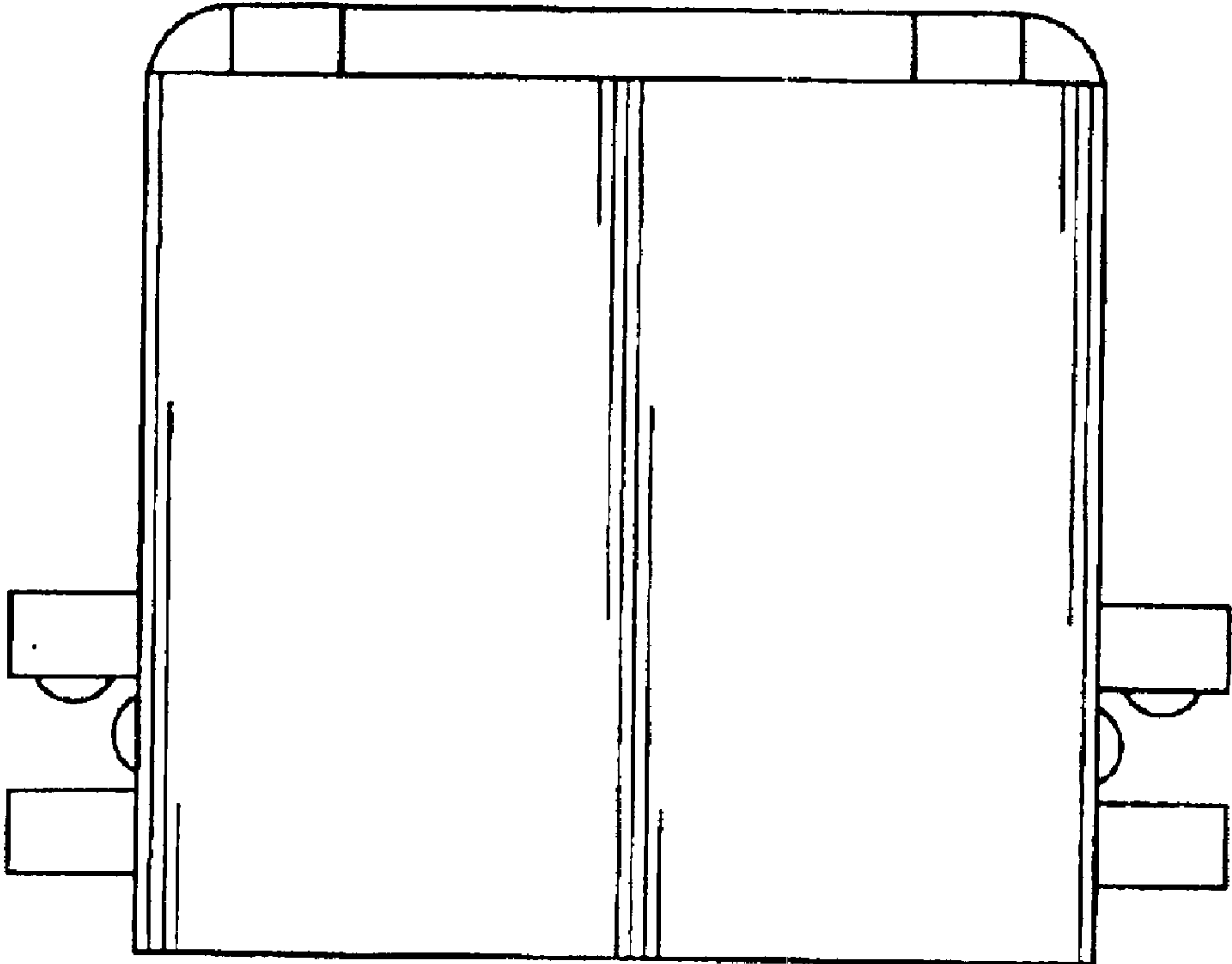


FIG. 3

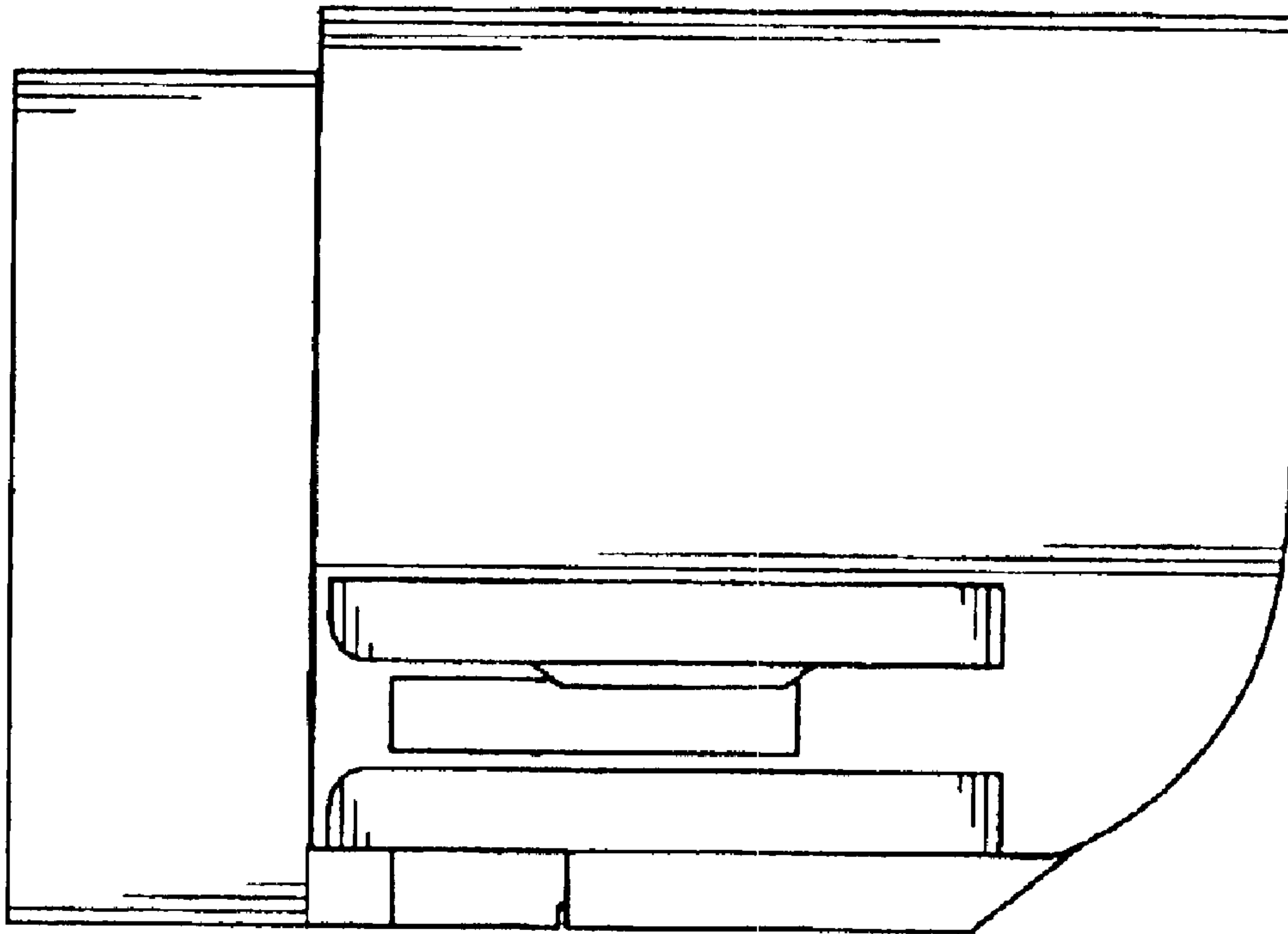


FIG. 4

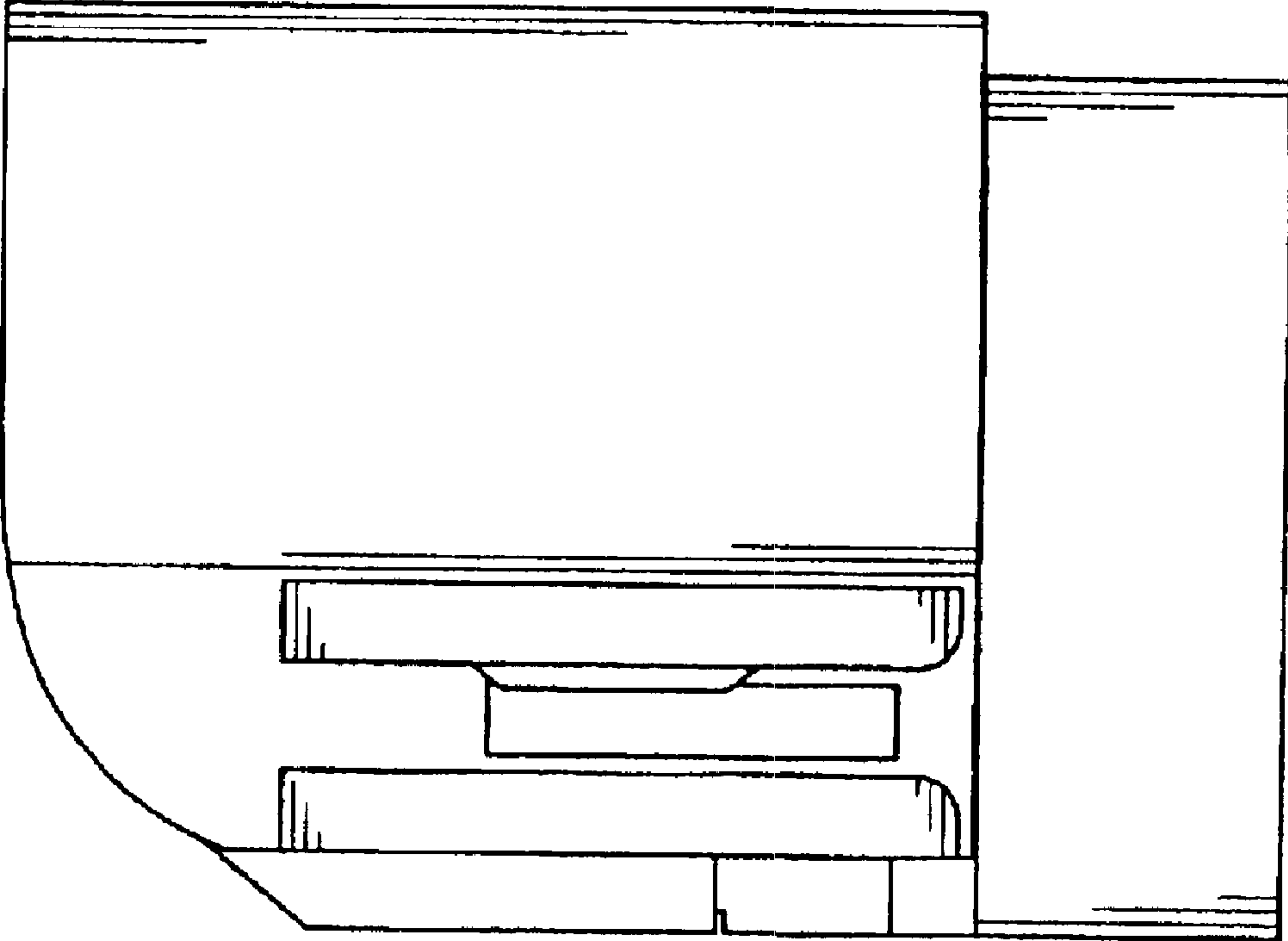


FIG. 5

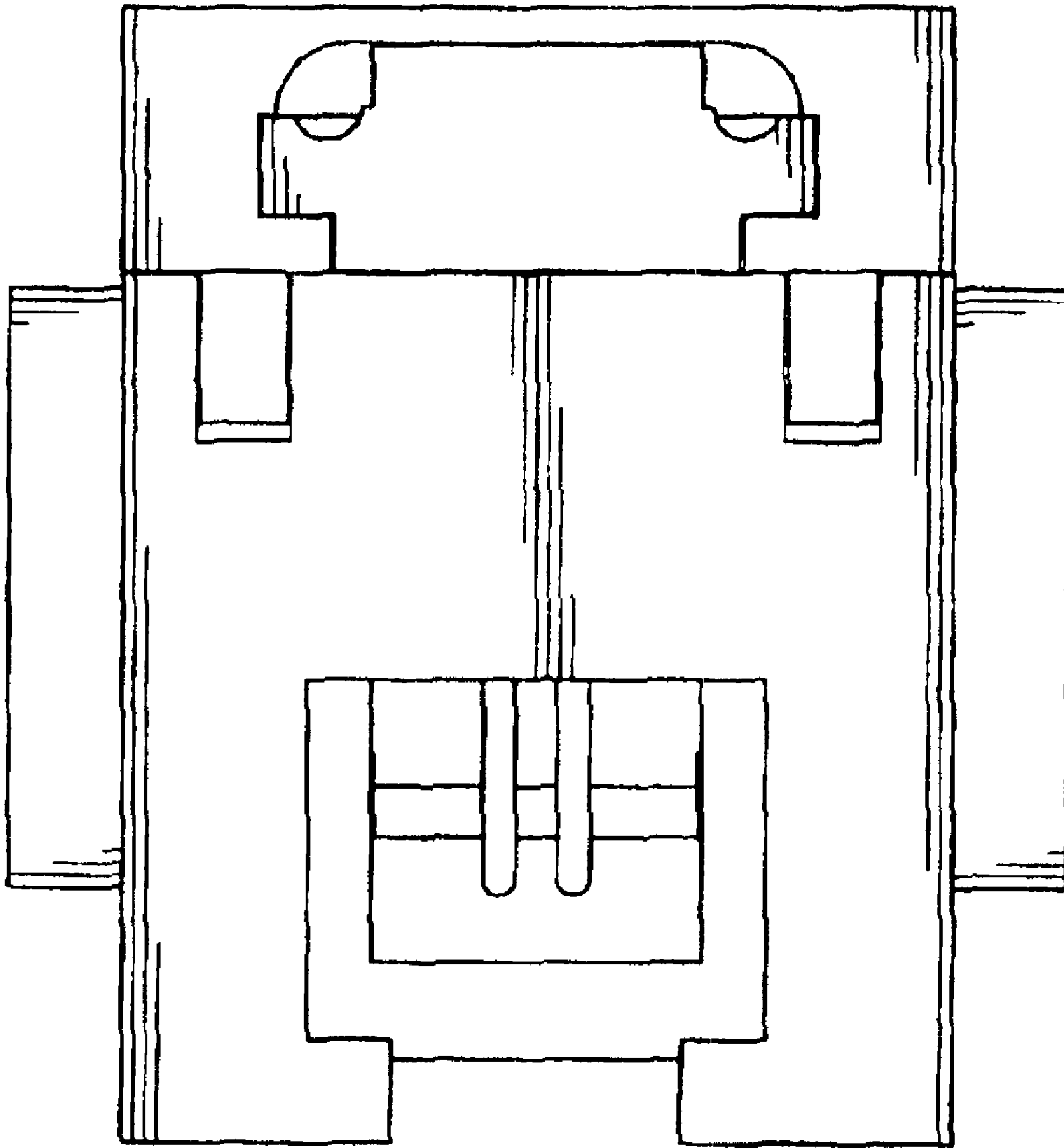


FIG. 6