

US00D498201S

(12) **United States Design Patent**
Moller

(10) **Patent No.:** **US D498,201 S**
(45) **Date of Patent:** **** Nov. 9, 2004**

(54) **VERTICAL TAKEOFF AND LANDING AIRCRAFT**

(75) Inventor: **Paul S. Moller**, Dixon, CA (US)

(73) Assignee: **Moller International, Inc.**, Davis, CA (US)

(**) Term: **14 Years**

(21) Appl. No.: **29/195,034**

(22) Filed: **Dec. 5, 2003**

(51) **LOC (7) Cl.** **12-99**

(52) **U.S. Cl.** **D12/319**

(58) **Field of Search** D12/319-345;
244/12.5, 15, 45 A, 52, 55

(56) **References Cited**

U.S. PATENT DOCUMENTS

D312,068 S	*	11/1990	Moller	D12/319
5,381,985 A	*	1/1995	Wechsler et al.	D12/319
D458,892 S	*	6/2002	DeTore et al.	D12/319
D469,054 S	*	1/2003	Fujino	D12/319

* cited by examiner

Primary Examiner—Marcus A. Jackson

(74) *Attorney, Agent, or Firm*—Burns, Doane, Swecker & Mathis LLP; Claude A. S. Hamrick

(57) **CLAIM**

The ornamental design for a vertical takeoff and landing aircraft, as shown and described.

DESCRIPTION

FIG. 1 is a perspective view of the front, top and left side of a vertical takeoff and landing aircraft embodying the new design with landing gear extended;

FIG. 2 is a left side elevational view thereof;

FIG. 3 is a front elevational view thereof;

FIG. 4 is a rear elevational view thereof;

FIG. 5 is a top plan view thereof;

FIG. 6 is a bottom plan view thereof;

FIG. 7 is a perspective view of the front, top and left side thereof with landing gear retracted;

FIG. 8 is a perspective view of the front, top and left side thereof with nacelles rotated and landing gear extended;

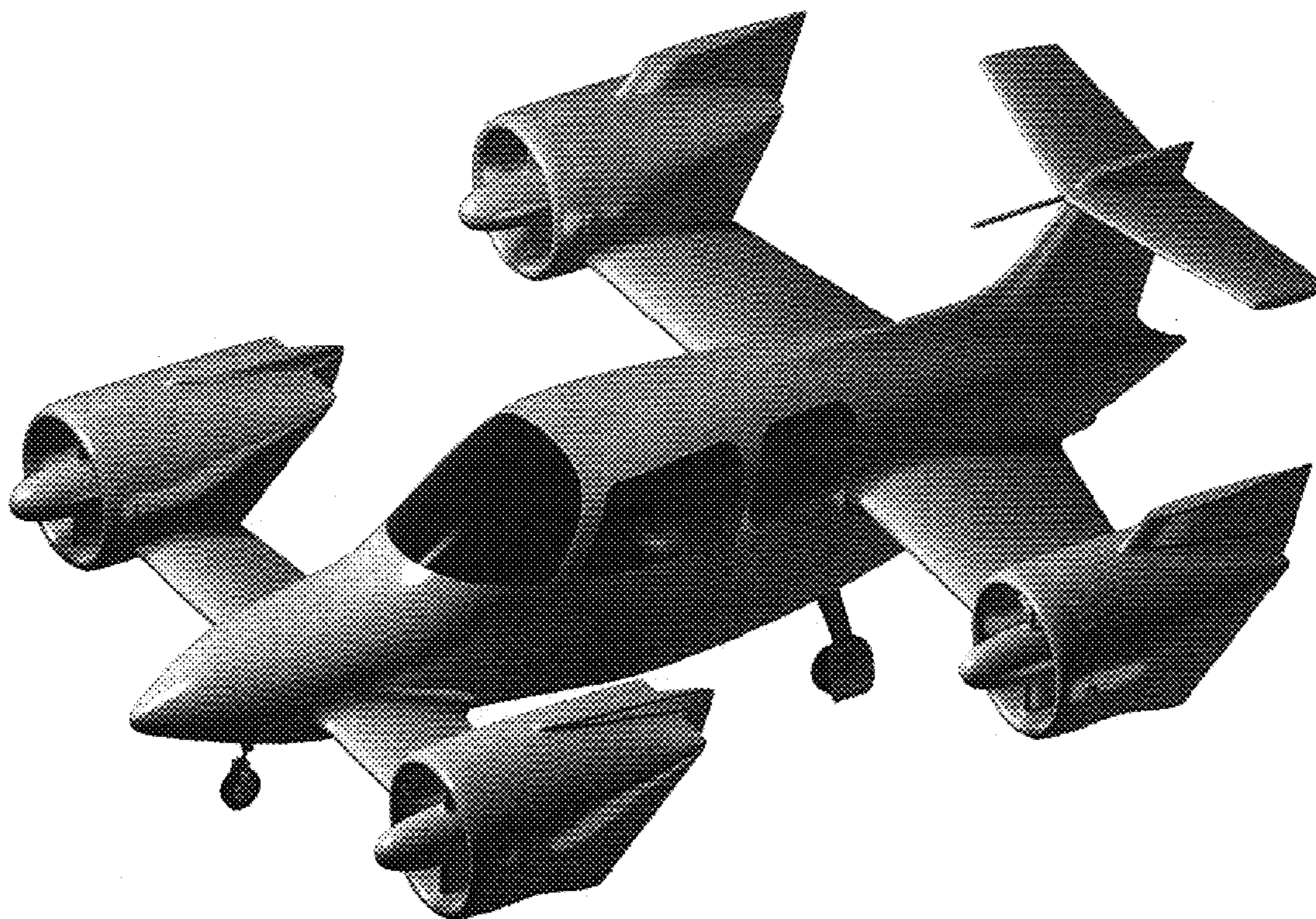
FIG. 9 is a left side elevational view thereof with nacelles rotated and landing gear extended;

FIG. 10 is a perspective view of the front, top and left side thereof with wings folded into storage position and landing gear extended;

FIG. 11 is a left side elevational view thereof with wings folded into storage position and landing gear extended; and,

FIG. 12 is a perspective view of the front, top and left side thereof with wings folded into storage position, cockpit doors open and landing gear extended.

1 Claim, 12 Drawing Sheets



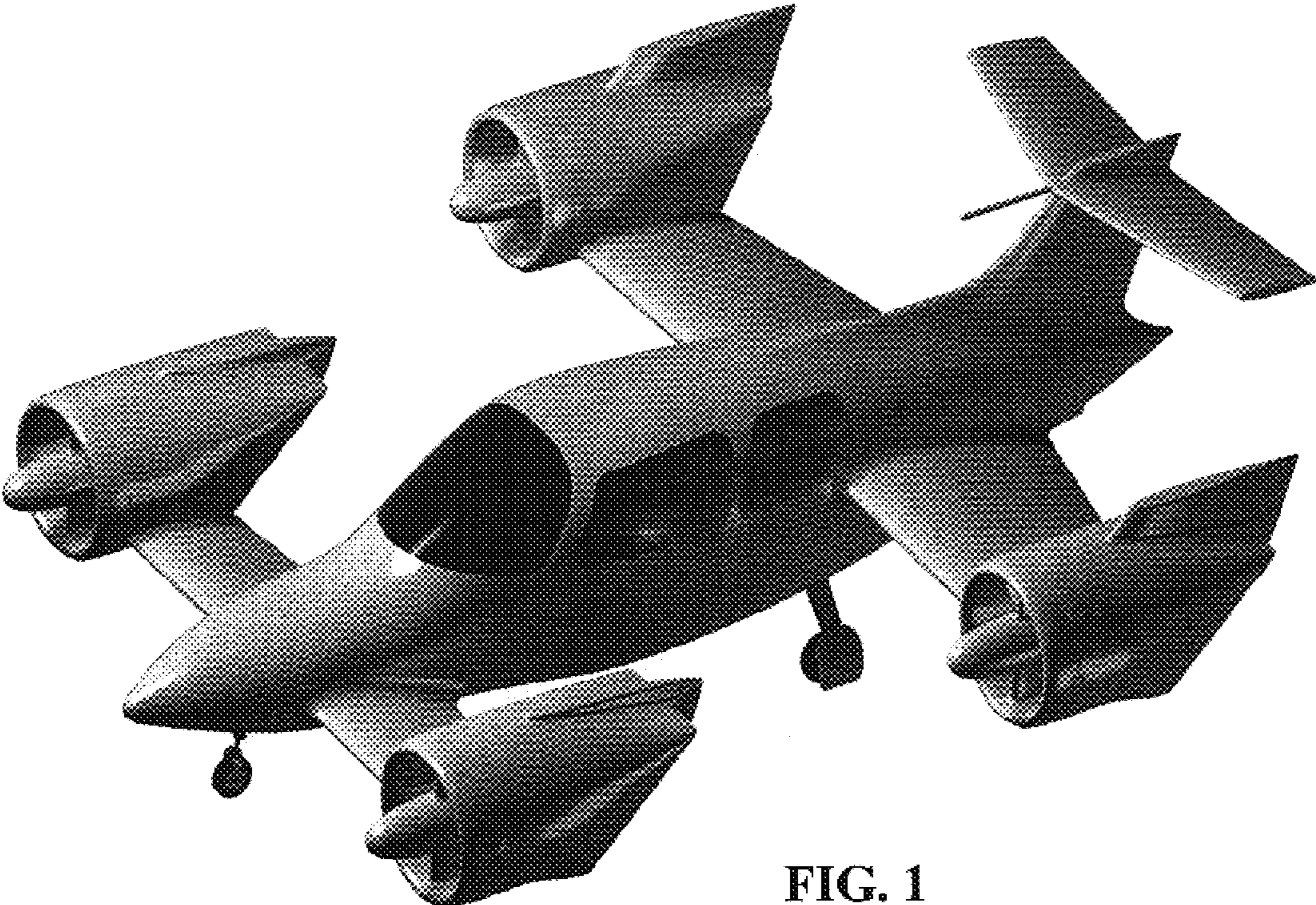


FIG. 1

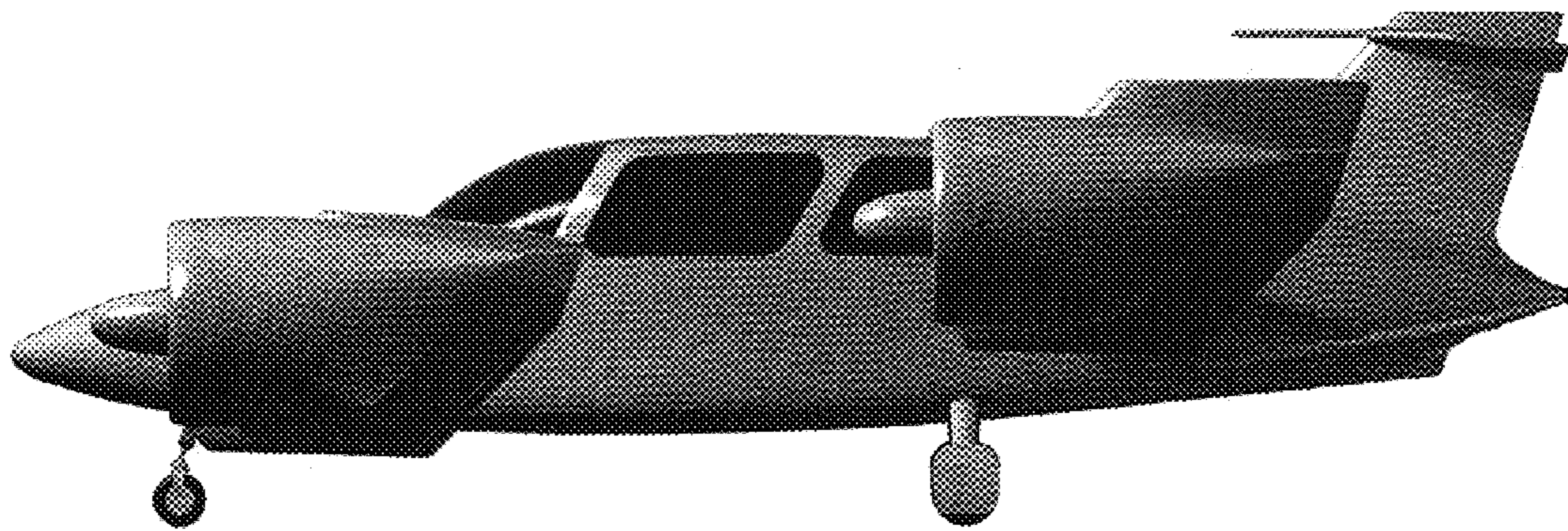


FIG. 2

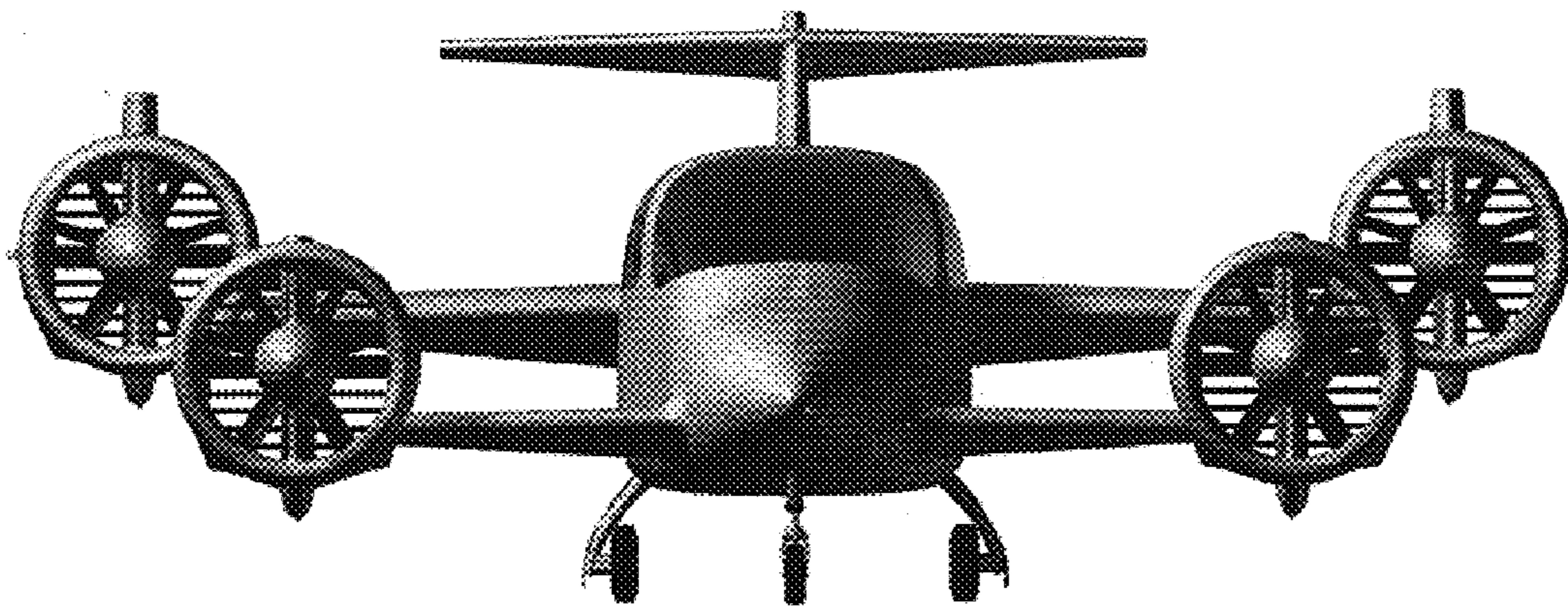


FIG. 3

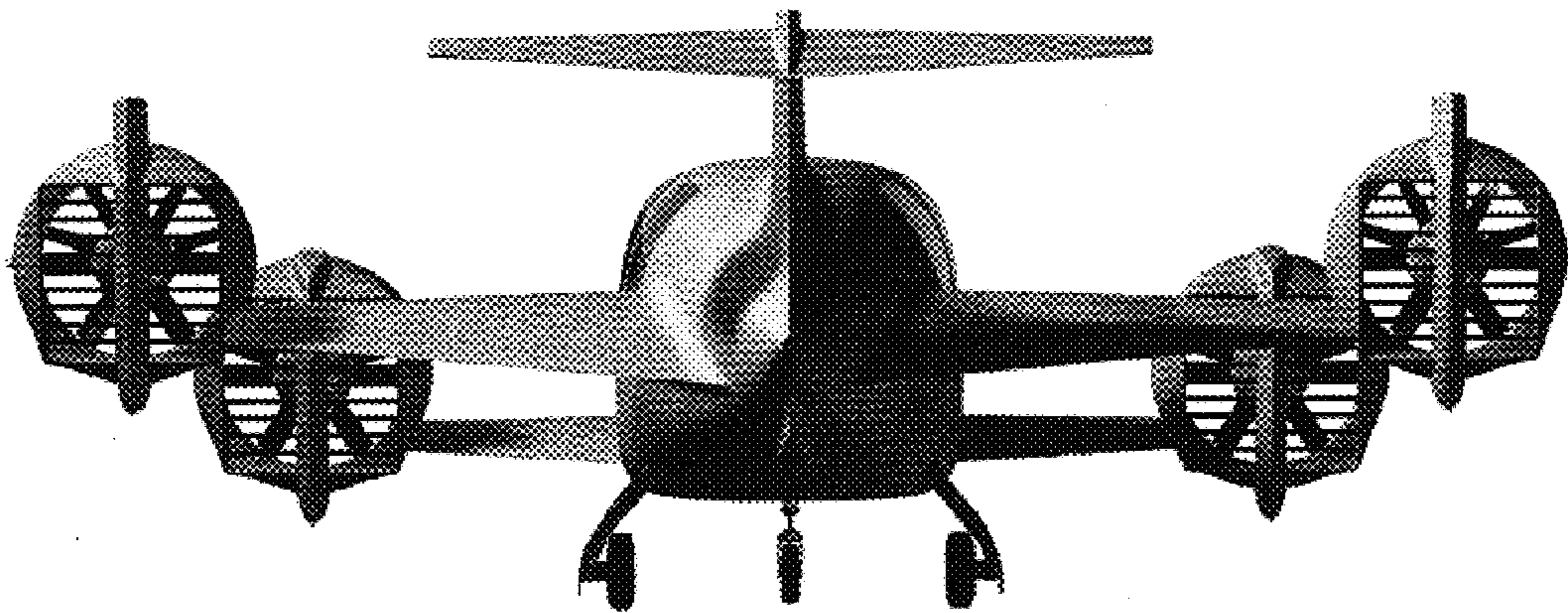


FIG. 4

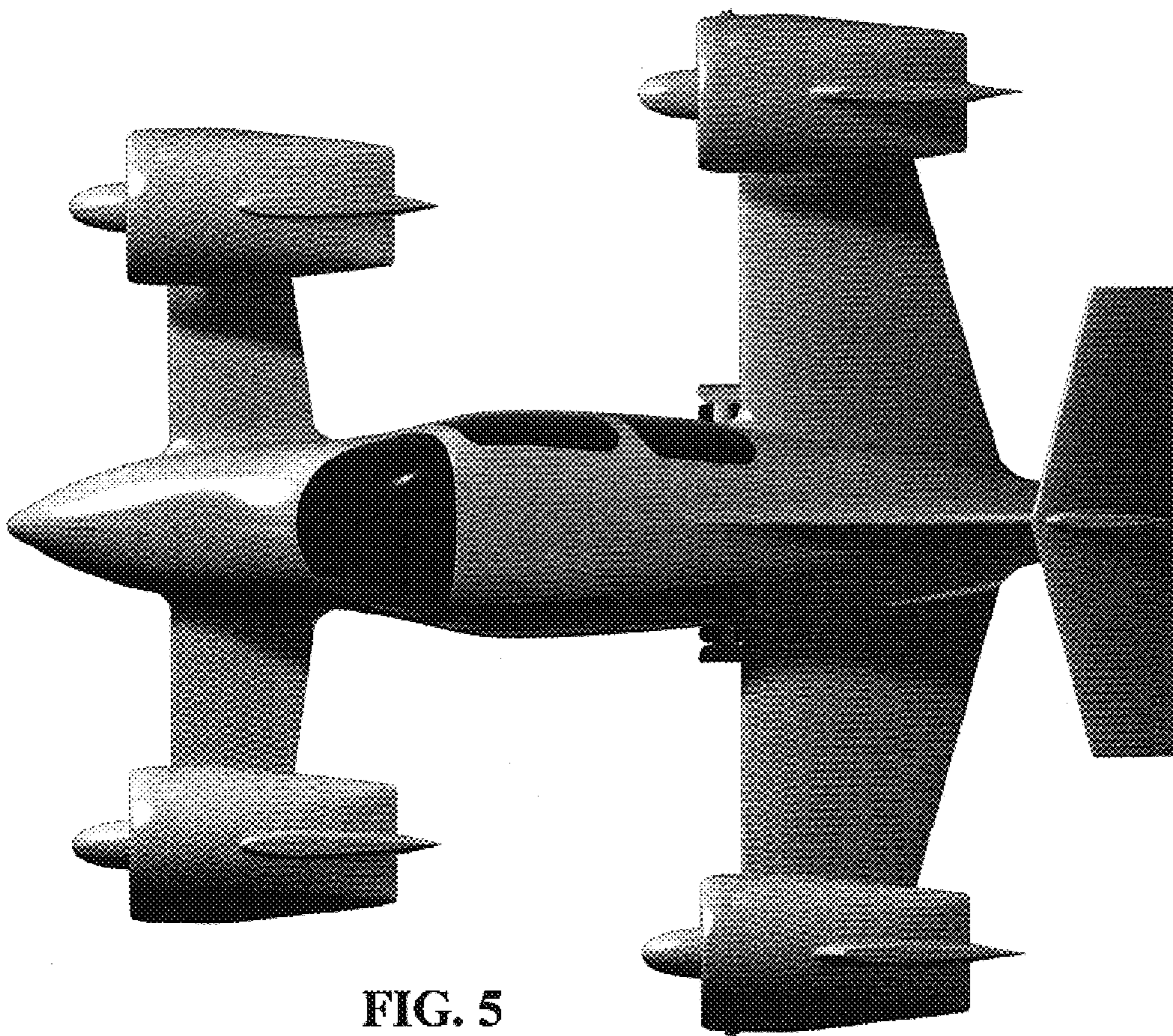


FIG. 5

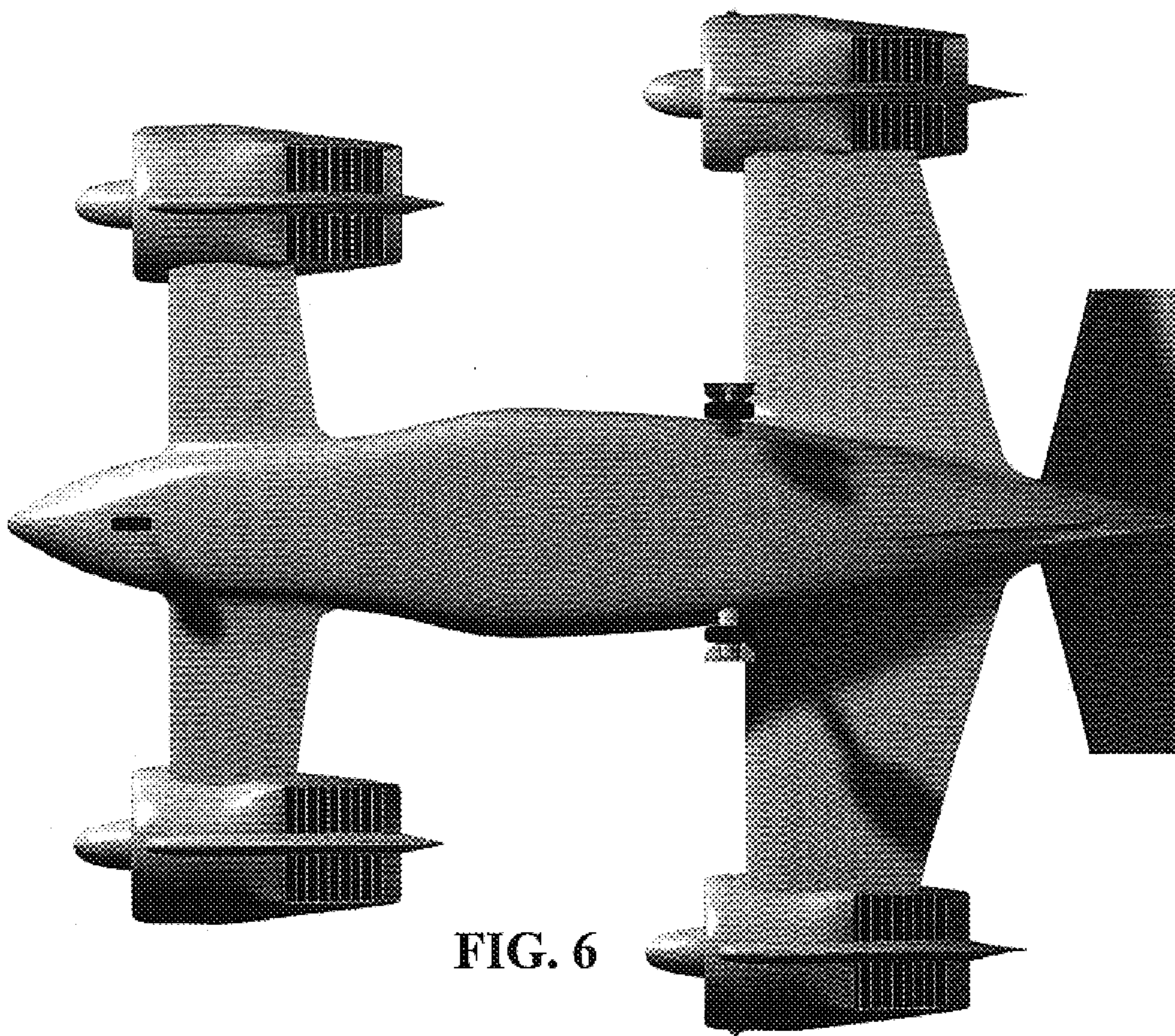


FIG. 6

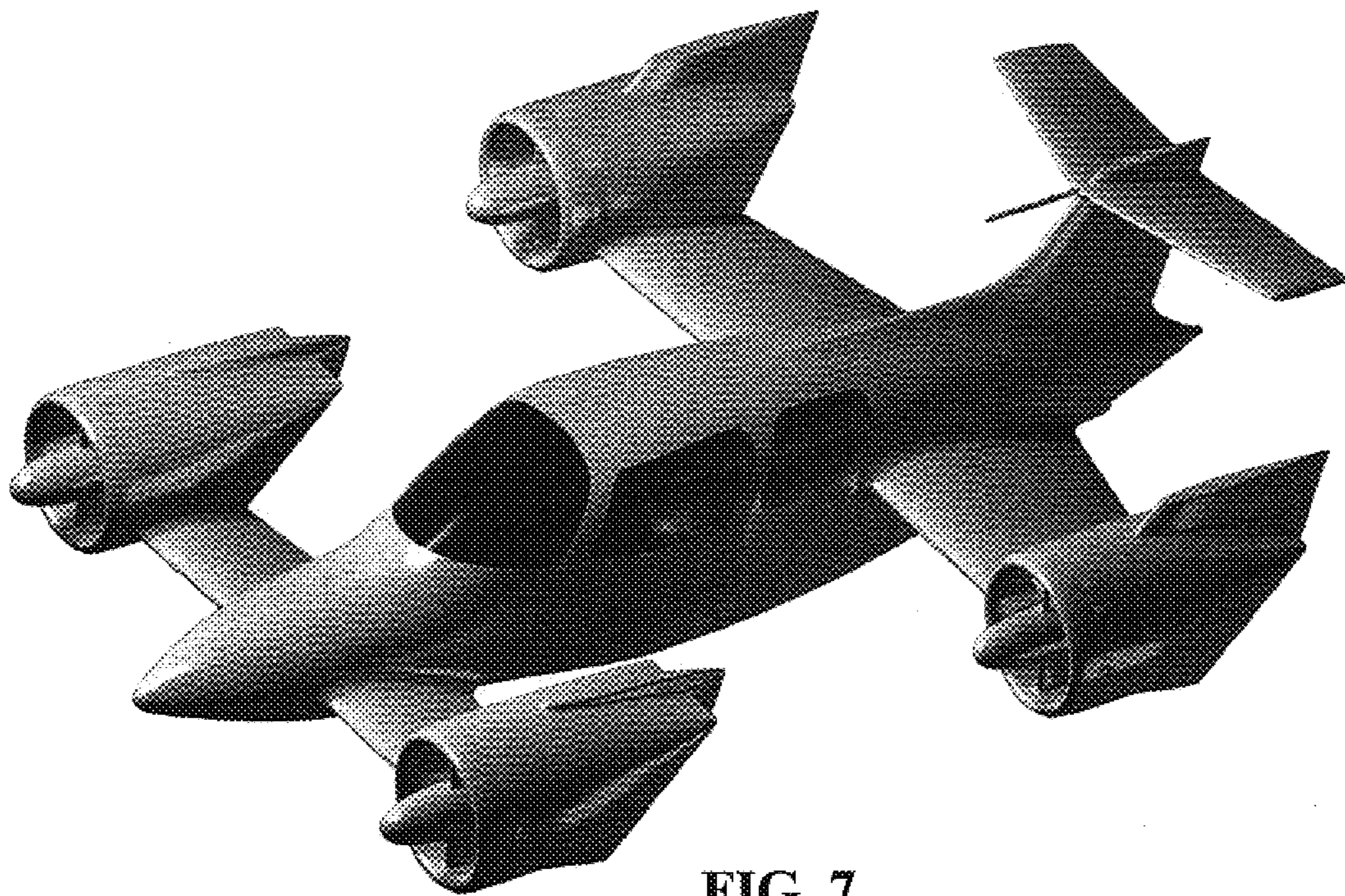


FIG. 7

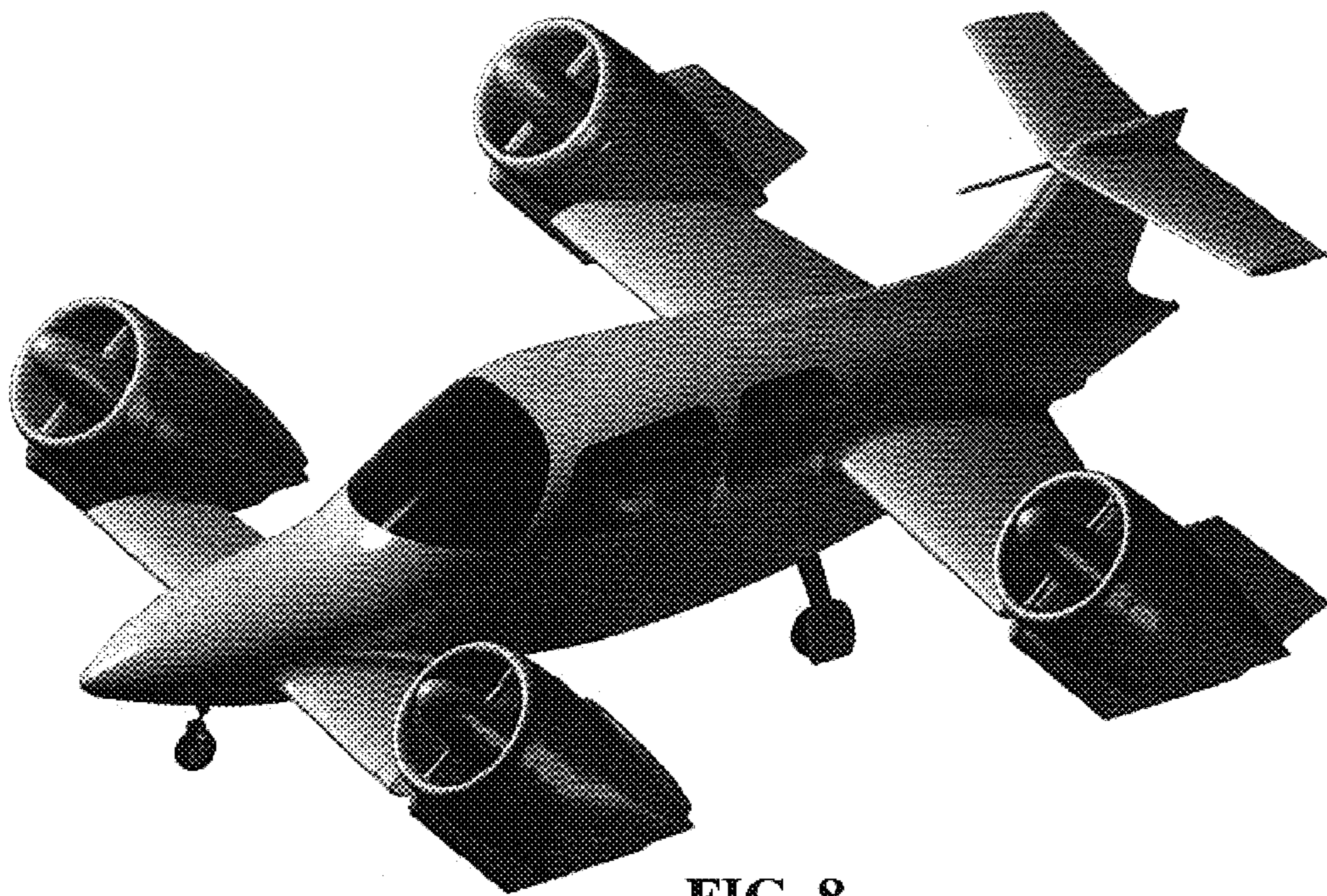


FIG. 8

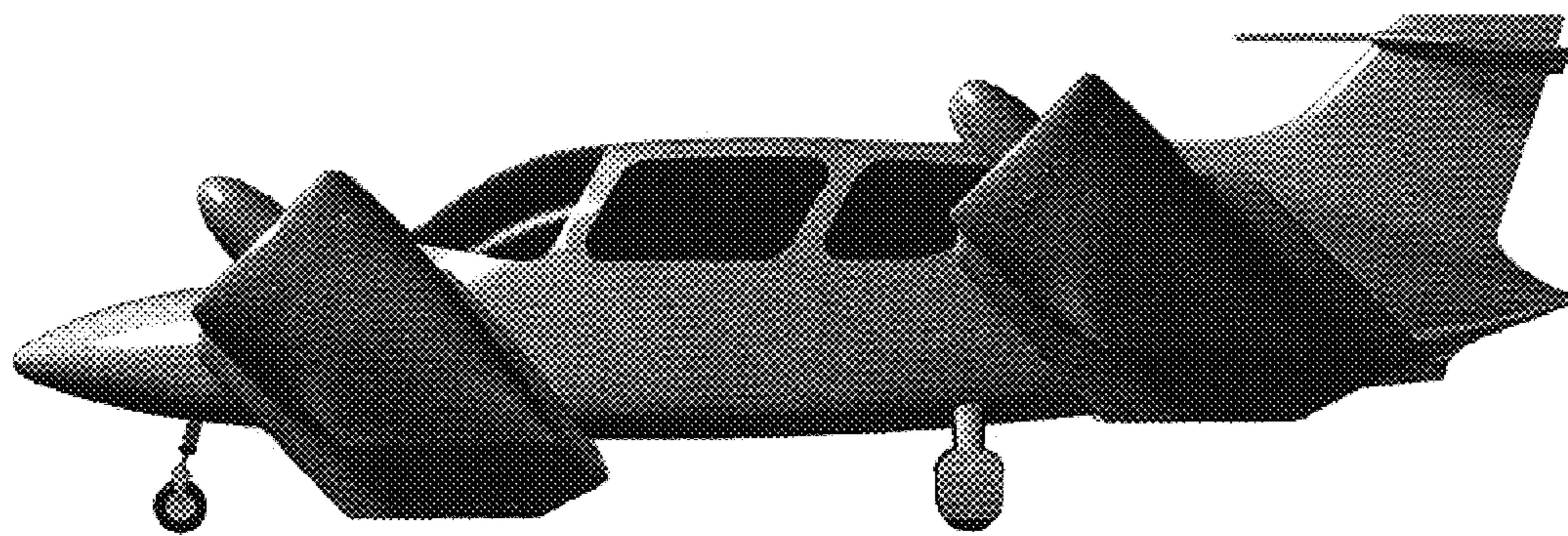


FIG. 9

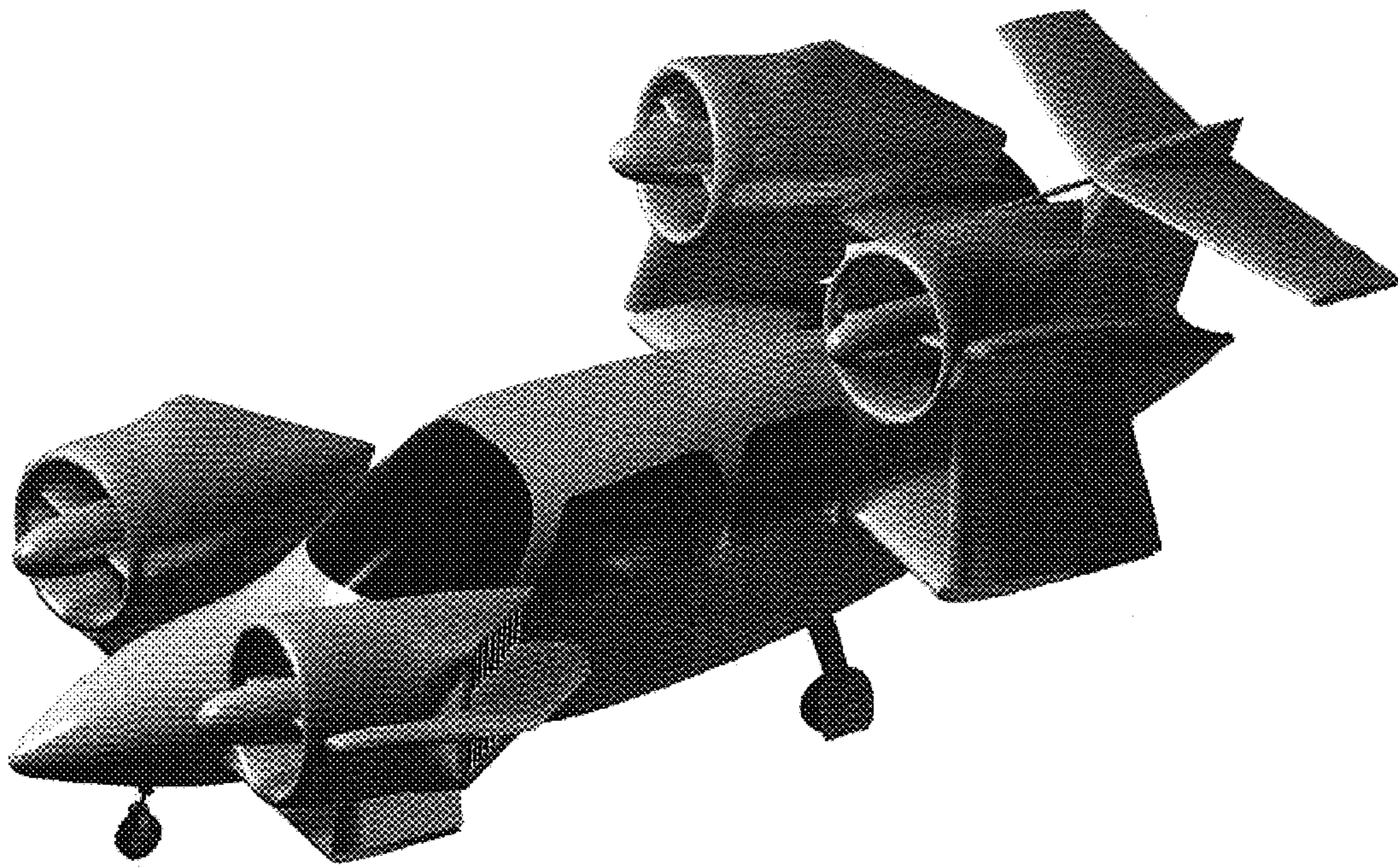


FIG. 10

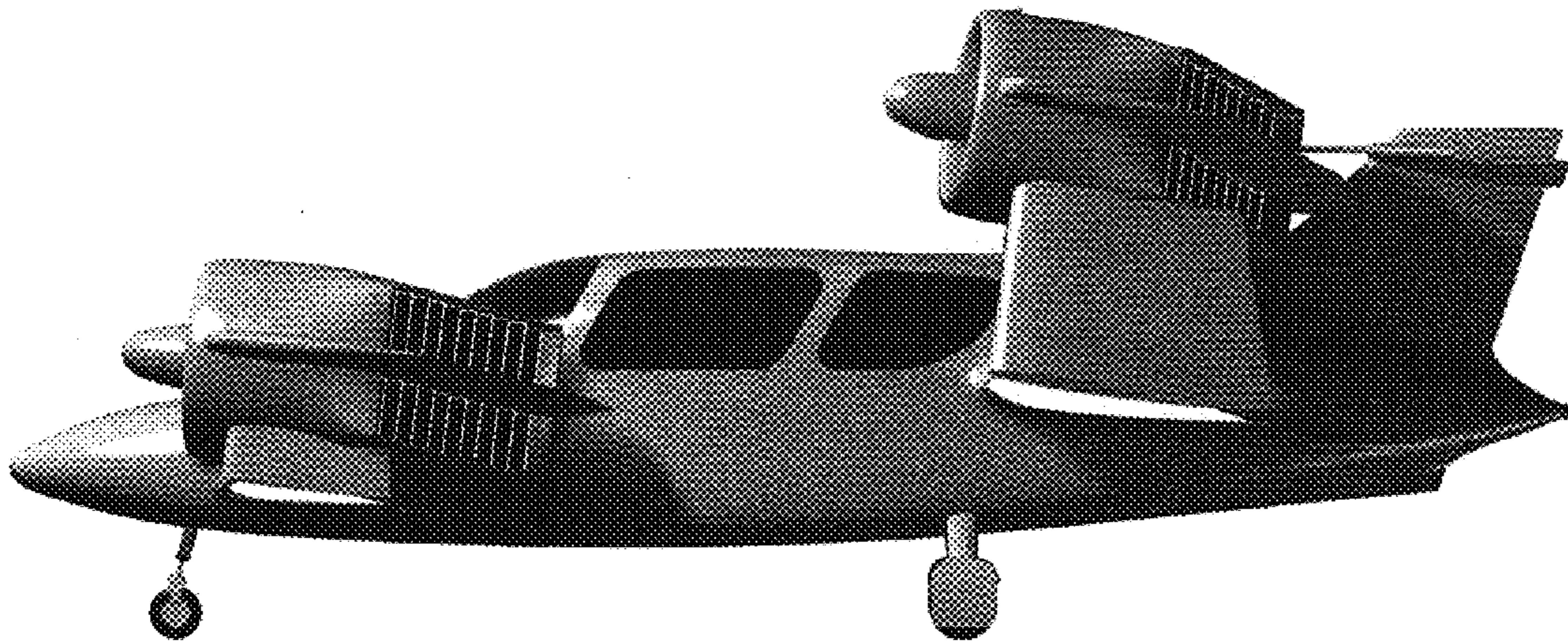


FIG. 11

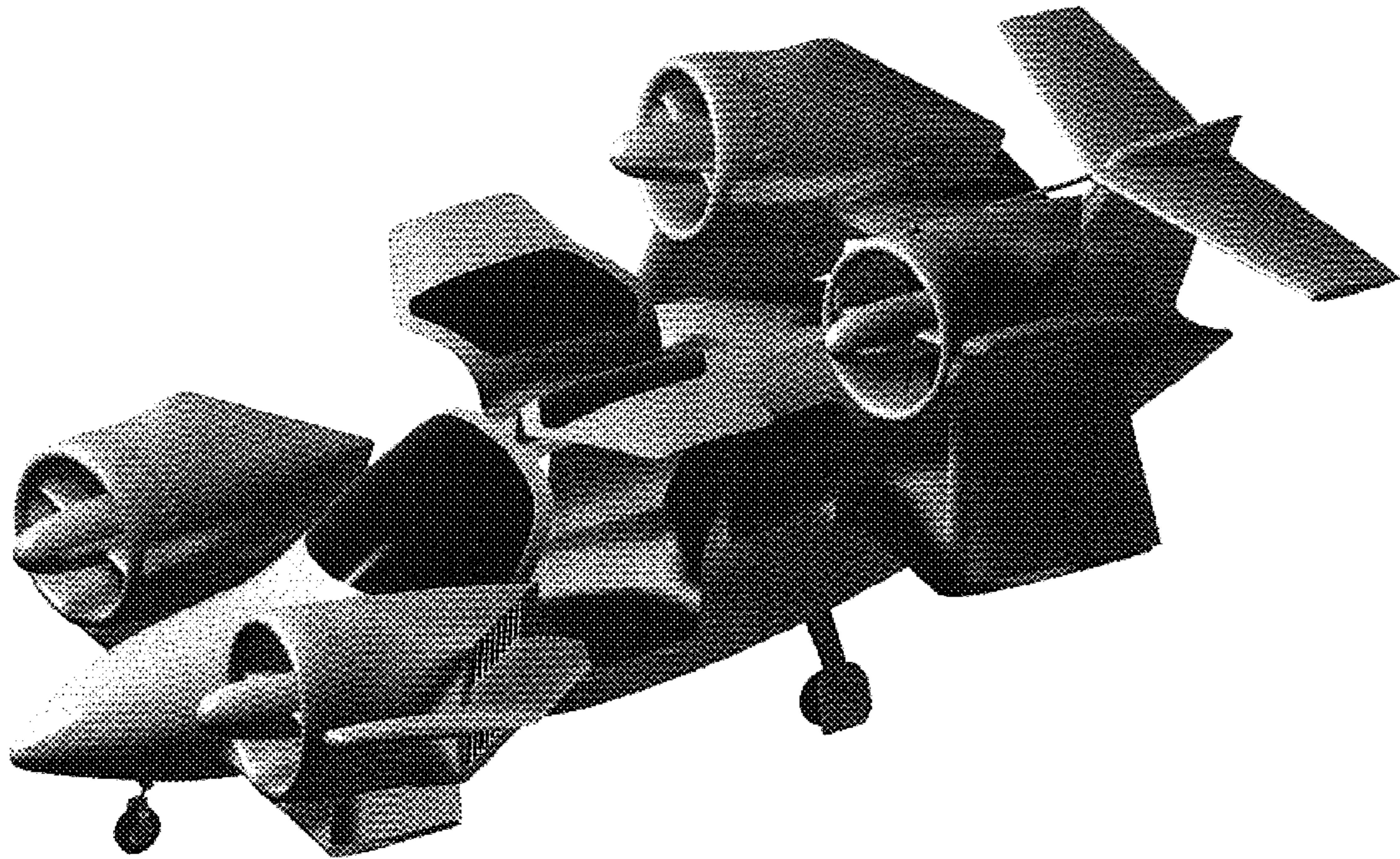


FIG. 12