

US00D498200S

(12) **United States Design Patent**
Hall et al.

(10) **Patent No.: US D498,200 S**

(45) **Date of Patent: ** Nov. 9, 2004**

(54) **VEHICLE BED LINER**

(75) Inventors: **Jarad W. Hall**, Manhattan Beach, CA (US); **Joshua Targownik**, Los Angeles, CA (US)

(73) Assignee: **Honda Motor Co., Ltd.**, Tokyo (JP)

(**) Term: **14 Years**

(21) Appl. No.: **29/195,245**

(22) Filed: **Dec. 10, 2003**

(51) **LOC (7) Cl.** **12-06**

(52) **U.S. Cl.** **D12/221**

(58) **Field of Search** D12/221, 98; 296/183, 296/198, 39.1, 39.2, 37.6; 29/417, 897.2, 897.3, 897.32

(56) **References Cited**

U.S. PATENT DOCUMENTS

3,881,768 A	*	5/1975	Nix	296/39.2
D249,494 S	*	9/1978	Lambitz et al.	D12/221
D271,009 S	*	10/1983	Fishler	D12/221
D331,896 S	*	12/1992	Pickering	D12/221
D336,062 S	*	6/1993	Austin	D12/221
D465,187 S	*	11/2002	Walker et al.	D12/221
D488,764 S	*	4/2004	Sierakowski et al.	D12/221

* cited by examiner

Primary Examiner—Melody N. Brown

(74) *Attorney, Agent, or Firm*—Plumsea Law Group, LLC

(57) **CLAIM**

The ornamental design for a vehicle bed liner, as shown and described.

DESCRIPTION

FIG. 1 is a rear perspective view of a vehicle bed liner showing our new design;

FIG. 2 is a front elevational perspective view of the tailgate panel thereof;

FIG. 3 is a front perspective view of the tailgate panel;

FIG. 4 is a top plan perspective view of the floor thereof;

FIG. 5 is a perspective view of the floor;

FIG. 6 is a front elevational perspective view of the front panel thereof;

FIG. 7 is a perspective view of the front panel;

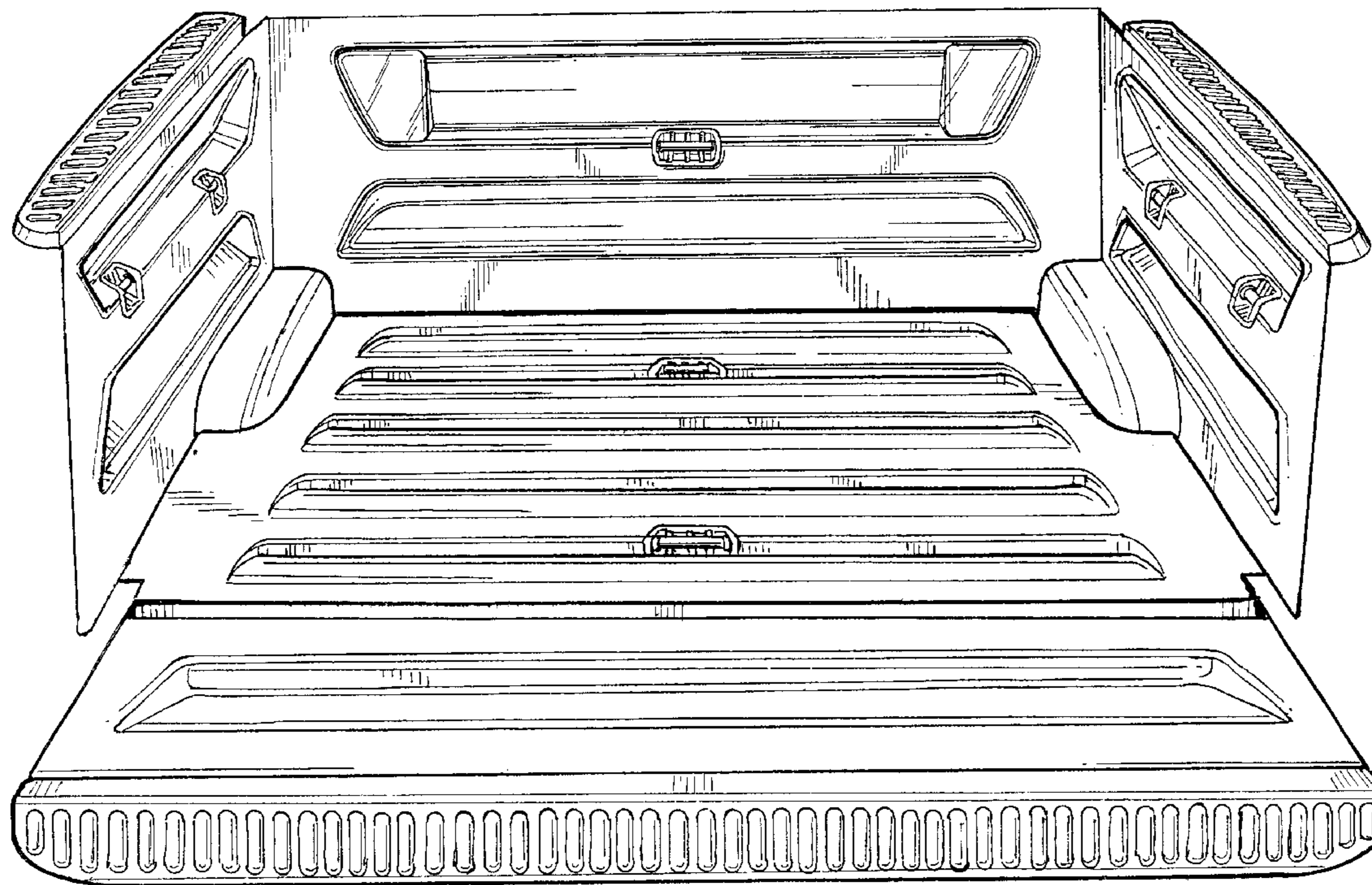
FIG. 8 is a front elevational perspective view of the right panel thereof, the left panel being a mirror image;

FIG. 9 is a perspective view of the right panel, the left panel being a mirror image;

FIG. 10 is a perspective view of the left panel top garnish thereof, the right panel top garnish being a mirror image; and,

FIG. 11 is a top plan perspective view of the left panel top garnish, the right panel top garnish being a mirror image.

1 Claim, 7 Drawing Sheets



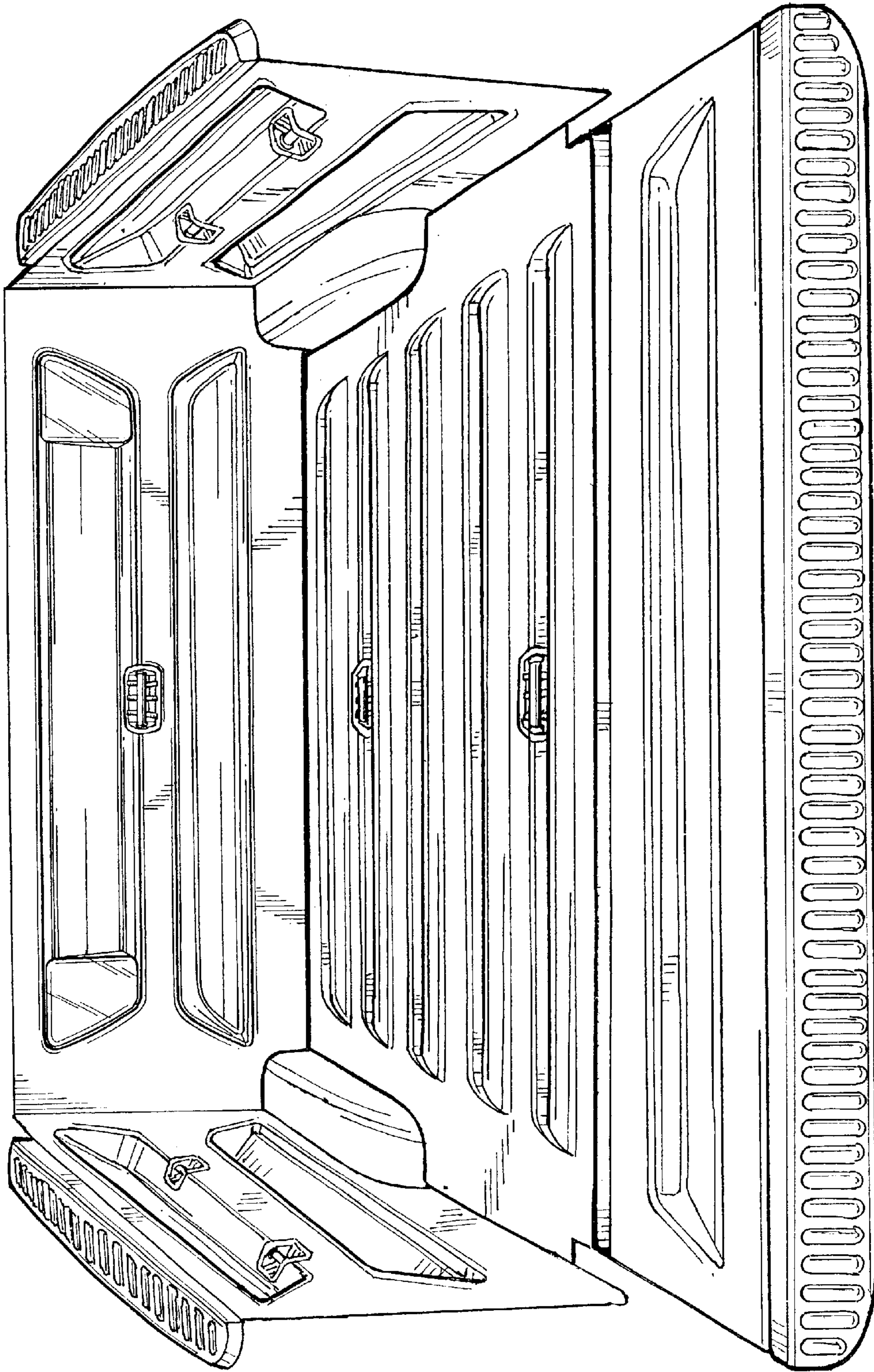


FIG. 1

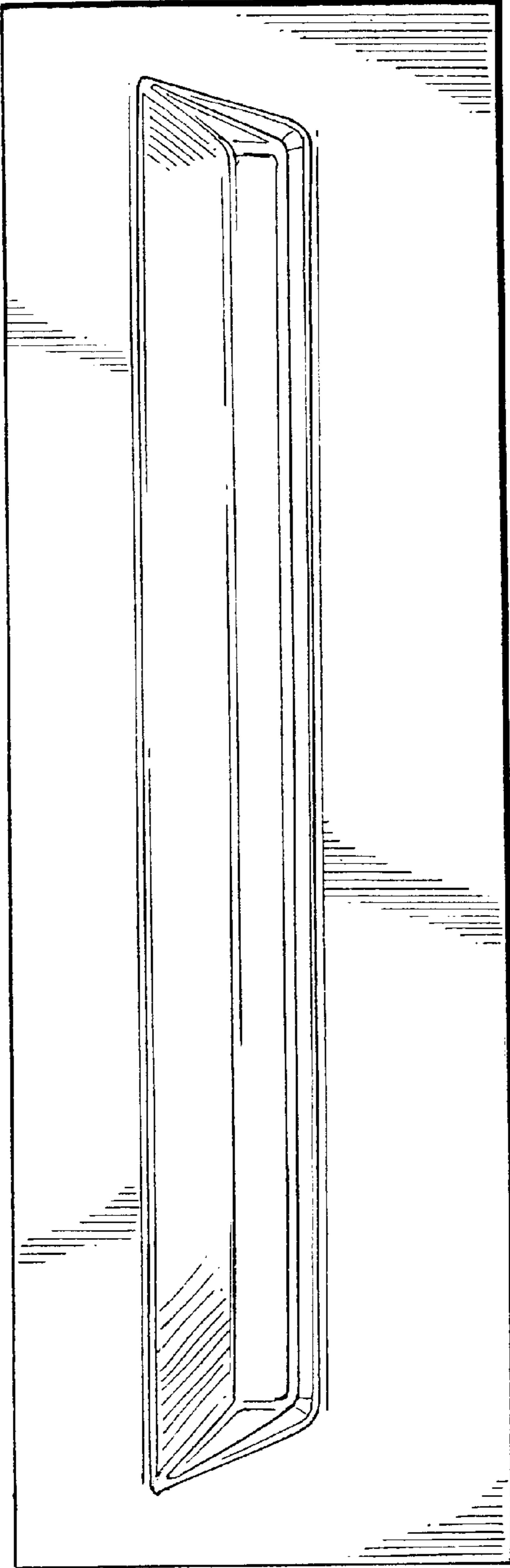


FIG. 2

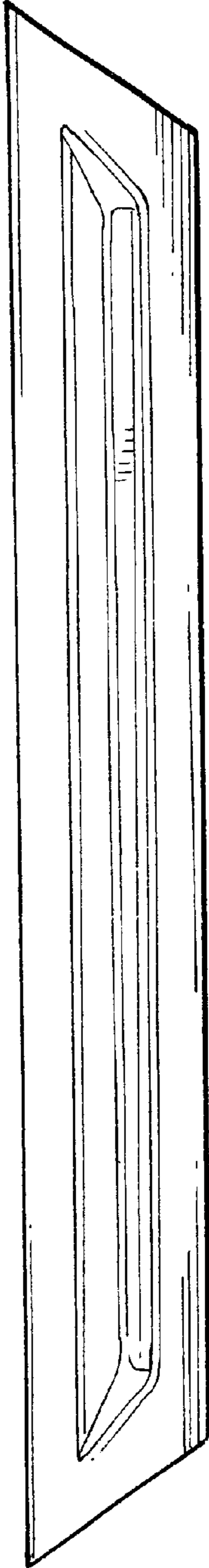


FIG. 3

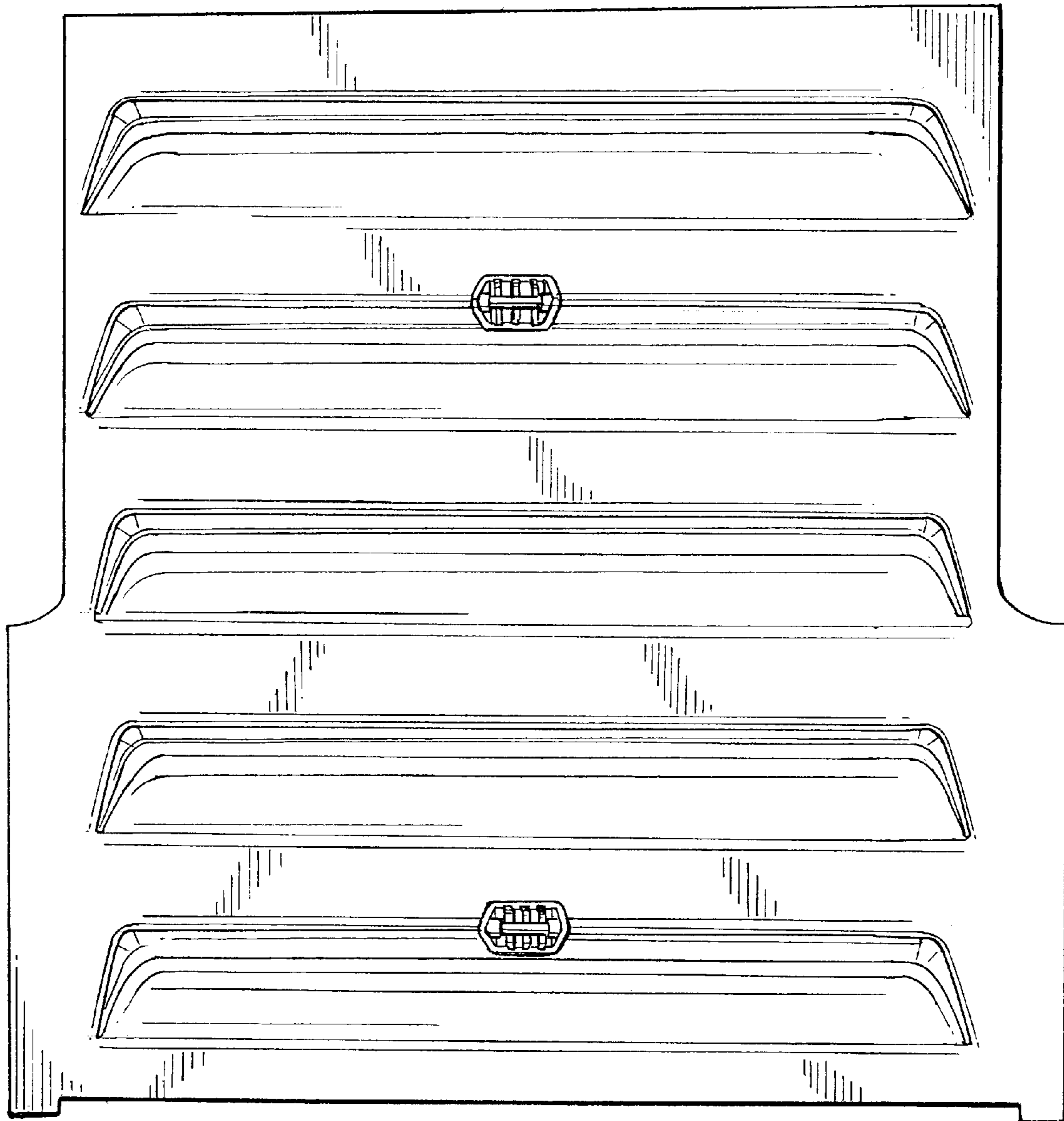


FIG. 4

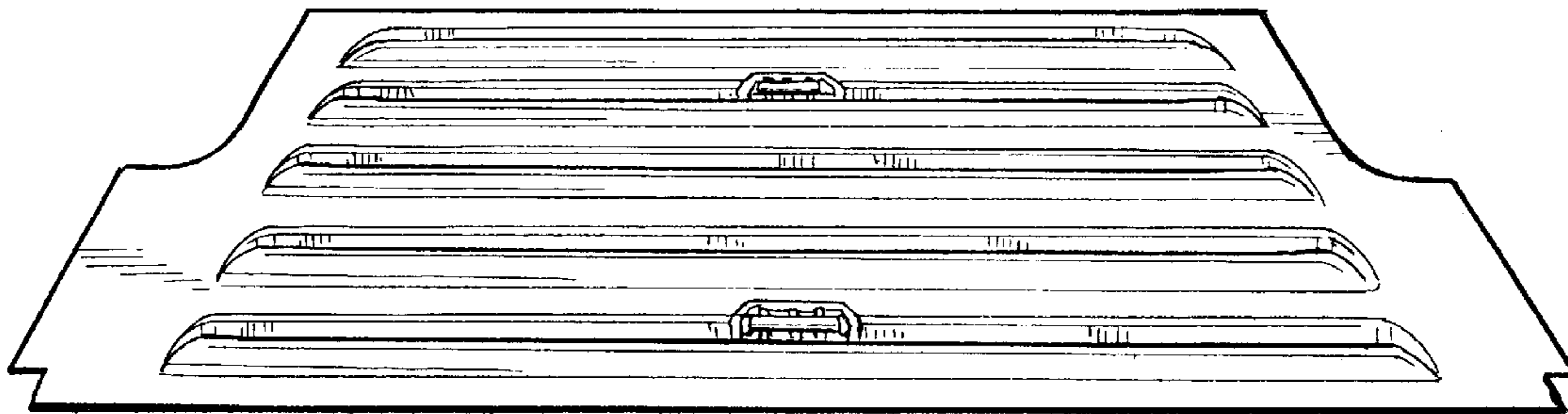


FIG. 5

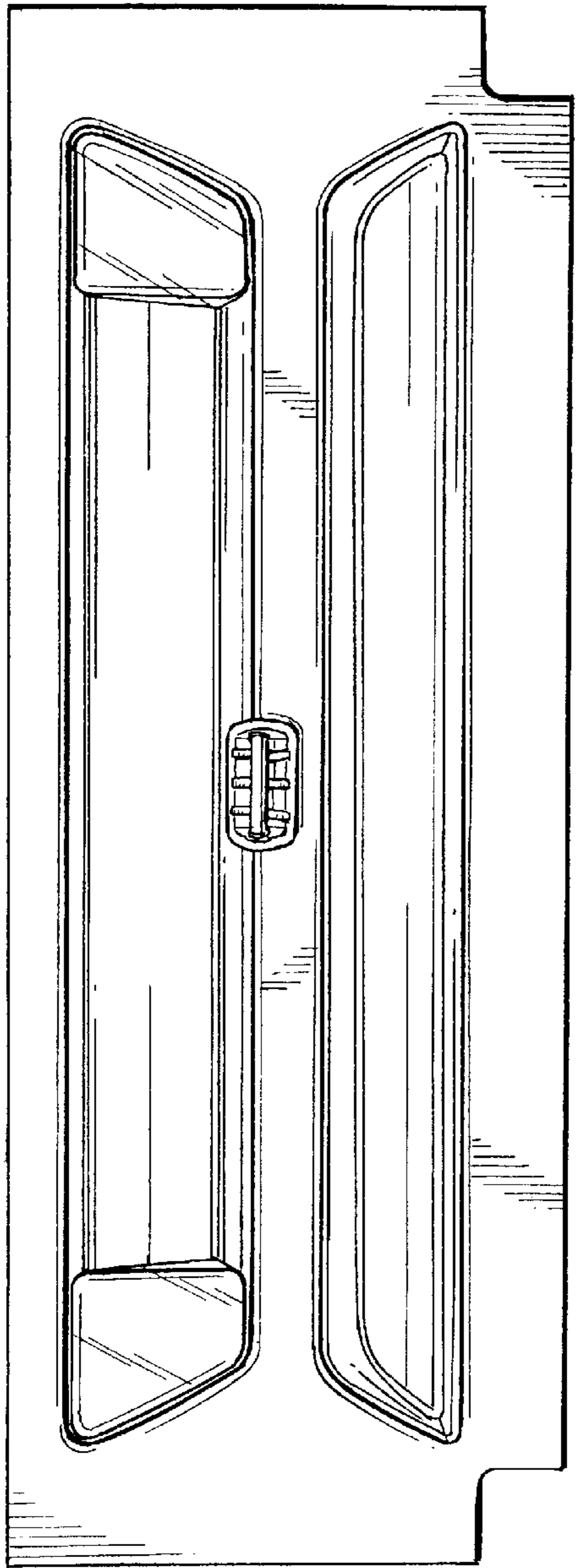


FIG. 6

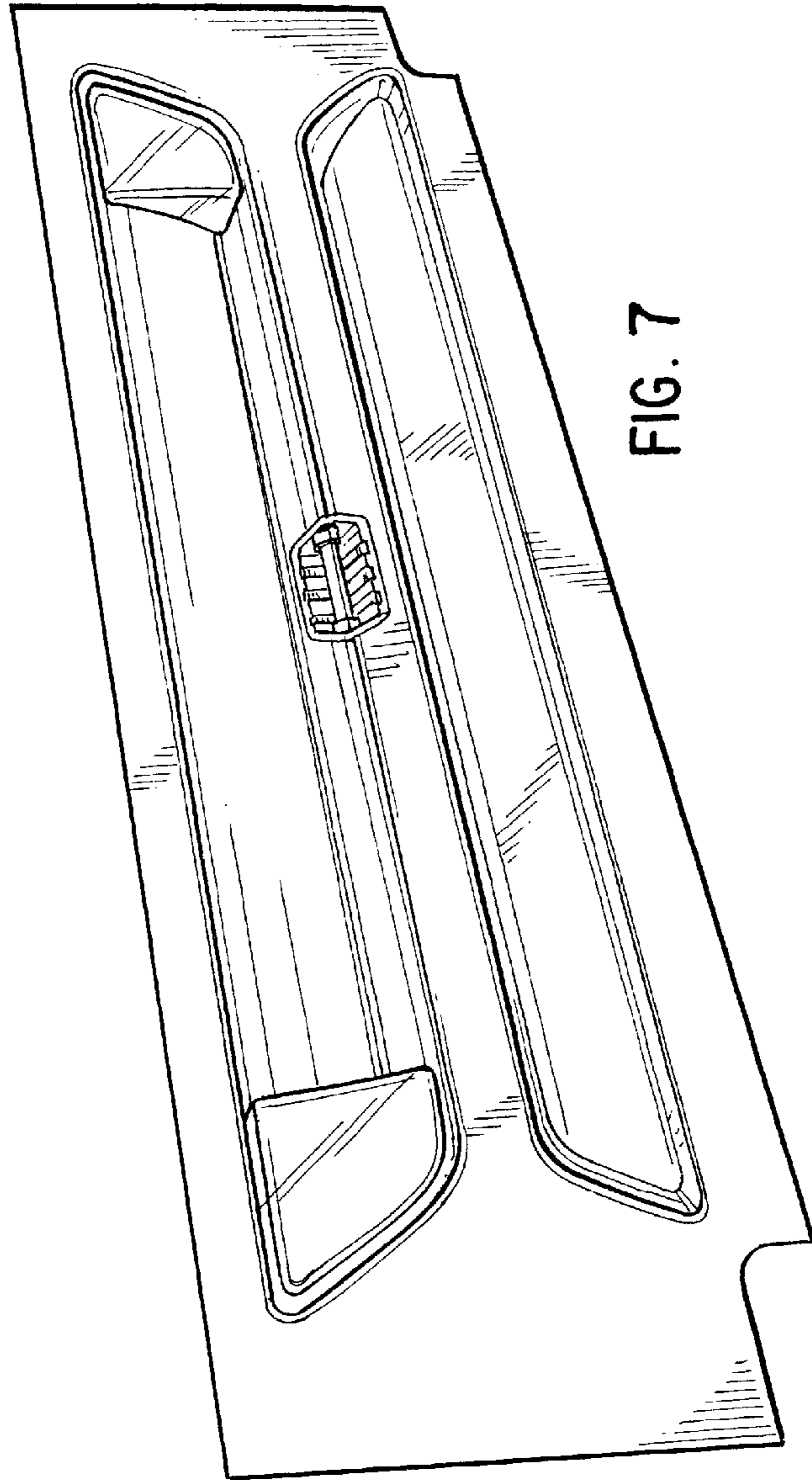


FIG. 7

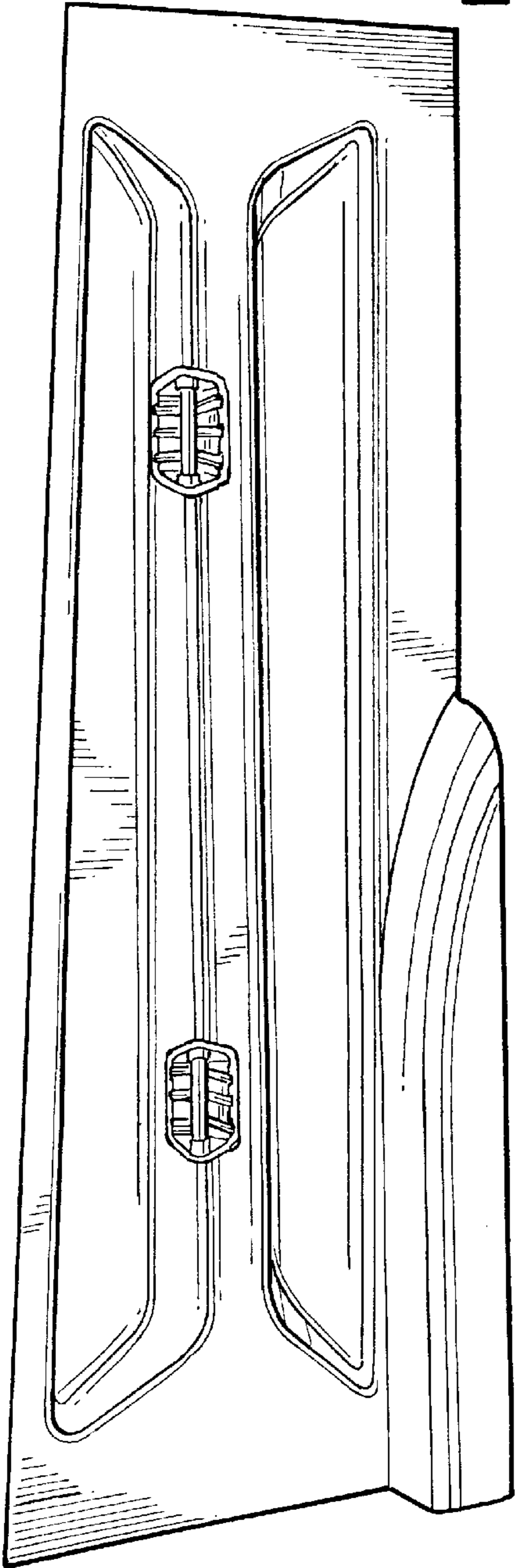


FIG. 8

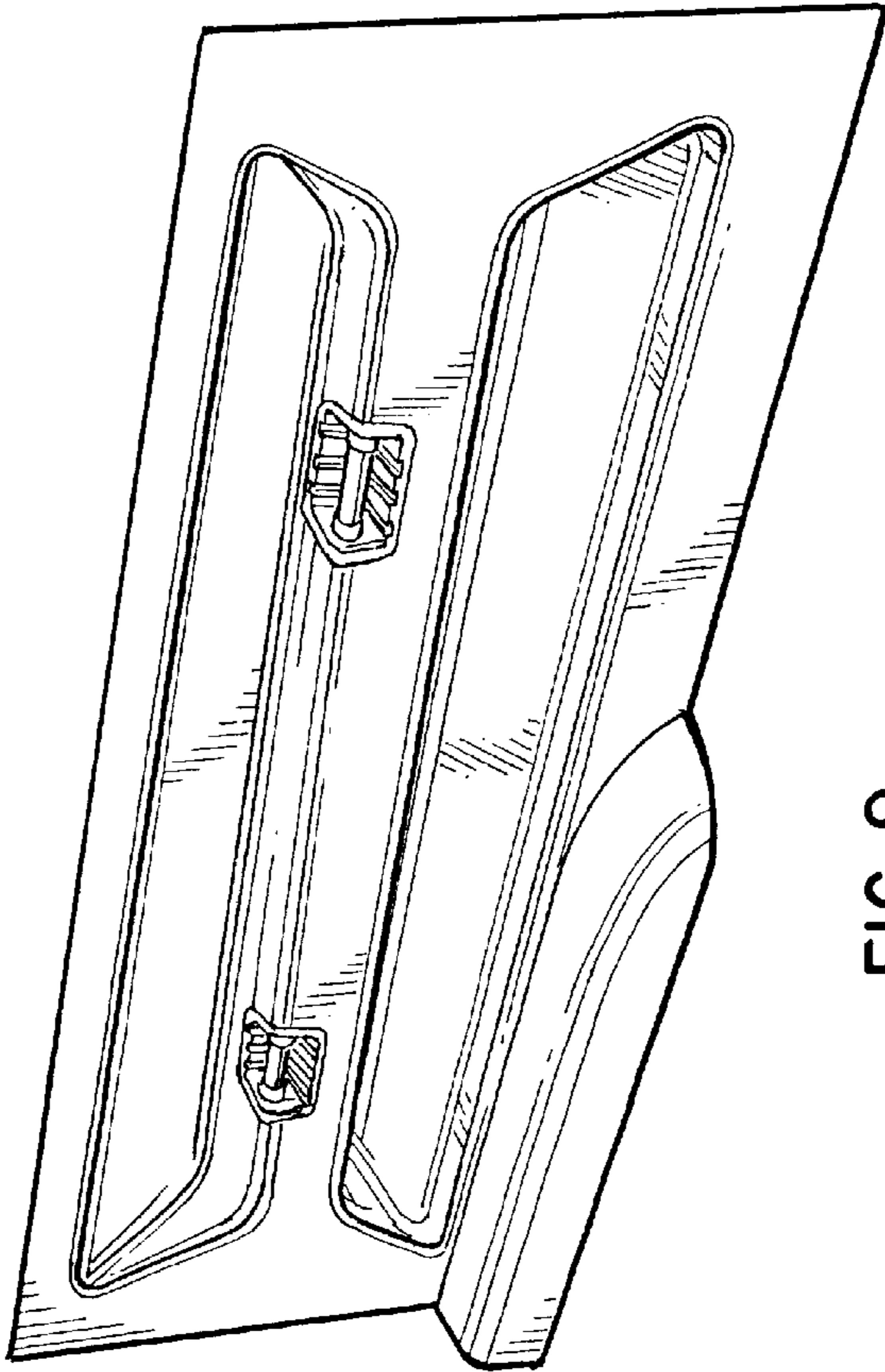


FIG. 9

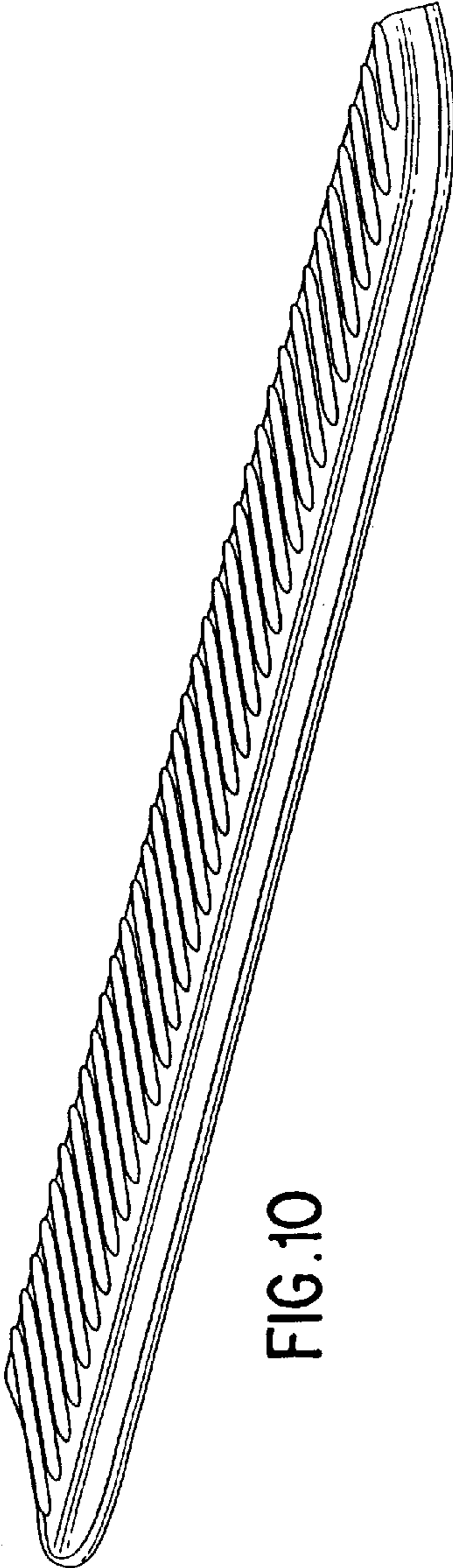


FIG. 10

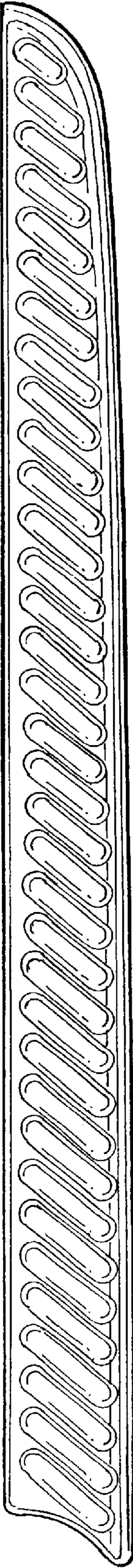


FIG. 11