

US00D498197S

(12) **United States Design Patent**
Okamoto

(10) **Patent No.:** **US D498,197 S**

(45) **Date of Patent:** **** Nov. 9, 2004**

(54) **FIXTURE FOR WHEEL COVER**

(76) **Inventor:** **Yoshiaki Okamoto**, 384-1
Higashi-futami, Futami-cho, Akashi-shi,
Hyogo (JP)

(**) **Term:** **14 Years**

(21) **Appl. No.:** **29/185,942**

(22) **Filed:** **Jul. 7, 2003**

(30) **Foreign Application Priority Data**

Jan. 8, 2003 (DE) 403 00 155

(51) **LOC (7) Cl.** **12-16**

(52) **U.S. Cl.** **D12/213**

(58) **Field of Search** D12/213, 400,
D12/223, 114; D8/349, 354; 301/37.1, 37.31-32,
37, 42, 37.25-27, 11.1-3, 111.01, 111.04;
280/495, 477; 248/300, 27.1, 62; 180/219

(56) **References Cited**

U.S. PATENT DOCUMENTS

D209,417 S * 11/1967 Theissen D12/213
D210,045 S * 1/1968 Theissen D12/213
D367,418 S * 2/1996 Lathrop D8/349

D375,718 S * 11/1996 Lazzeroni et al. D12/223
D391,218 S * 2/1998 Pingel et al. D12/223
D454,828 S * 3/2002 Alder D12/223
6,443,530 B1 * 9/2002 Lee 301/37.25
D470,813 S * 2/2003 Nanez D12/213
D472,867 S * 4/2003 Smartt D12/213
D477,273 S * 7/2003 Christenbury et al. D12/213

* cited by examiner

Primary Examiner—Stacia Cadmus

(74) *Attorney, Agent, or Firm*—Jordan and Hamburg LLP

(57) **CLAIM**

The ornamental design for a fixture for wheel cover, as shown and described.

DESCRIPTION

FIG. 1 is a front view of a fixture for wheel cover showing my new design;

FIG. 2 is a back view thereof;

FIG. 3 is a right side view thereof;

FIG. 4 is a top view thereof;

FIG. 5 is a bottom view thereof; and,

FIG. 6 is a sectional view taken along line 6—6 in FIG. 4.

1 Claim, 3 Drawing Sheets

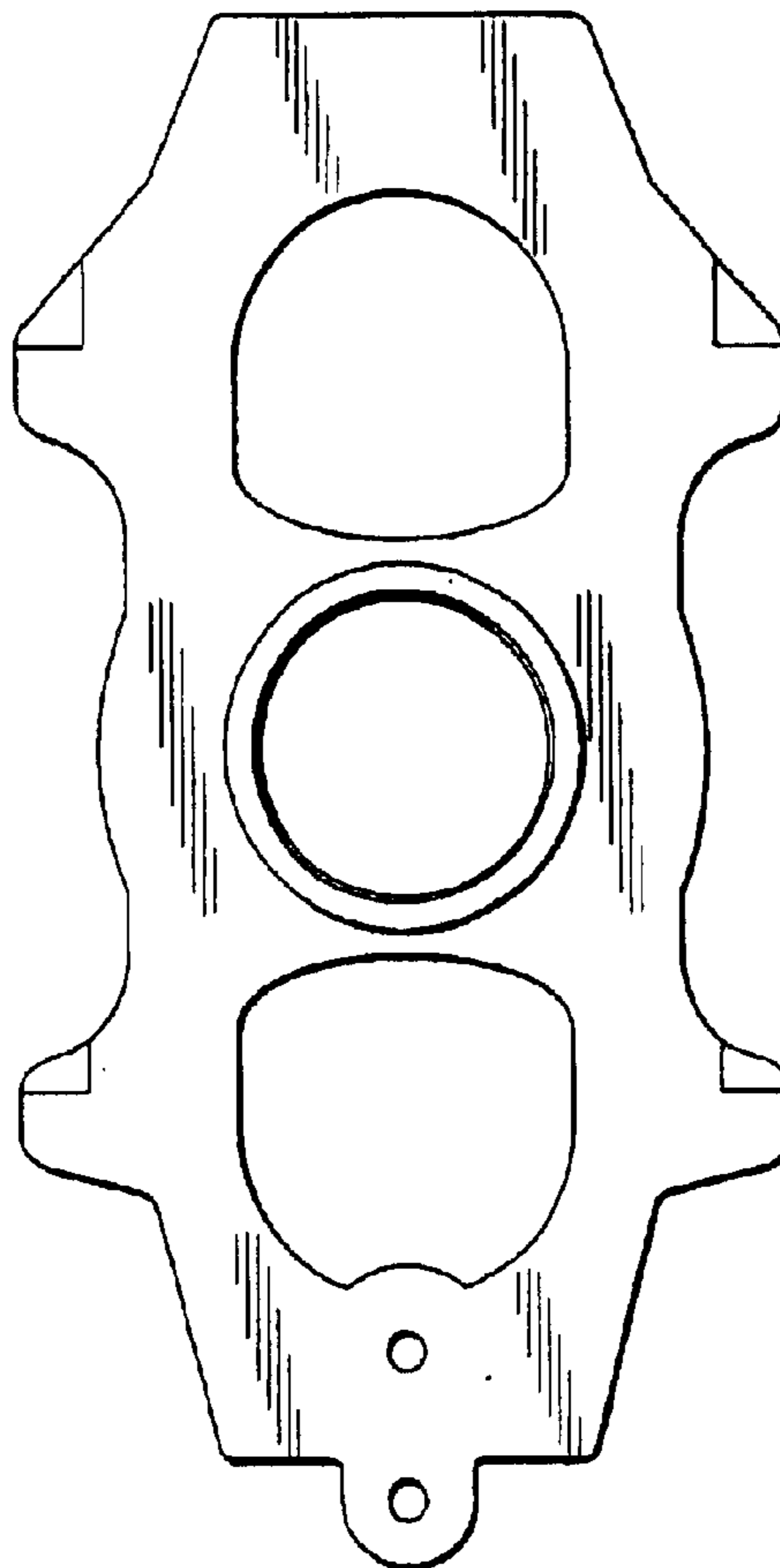


FIG. 1

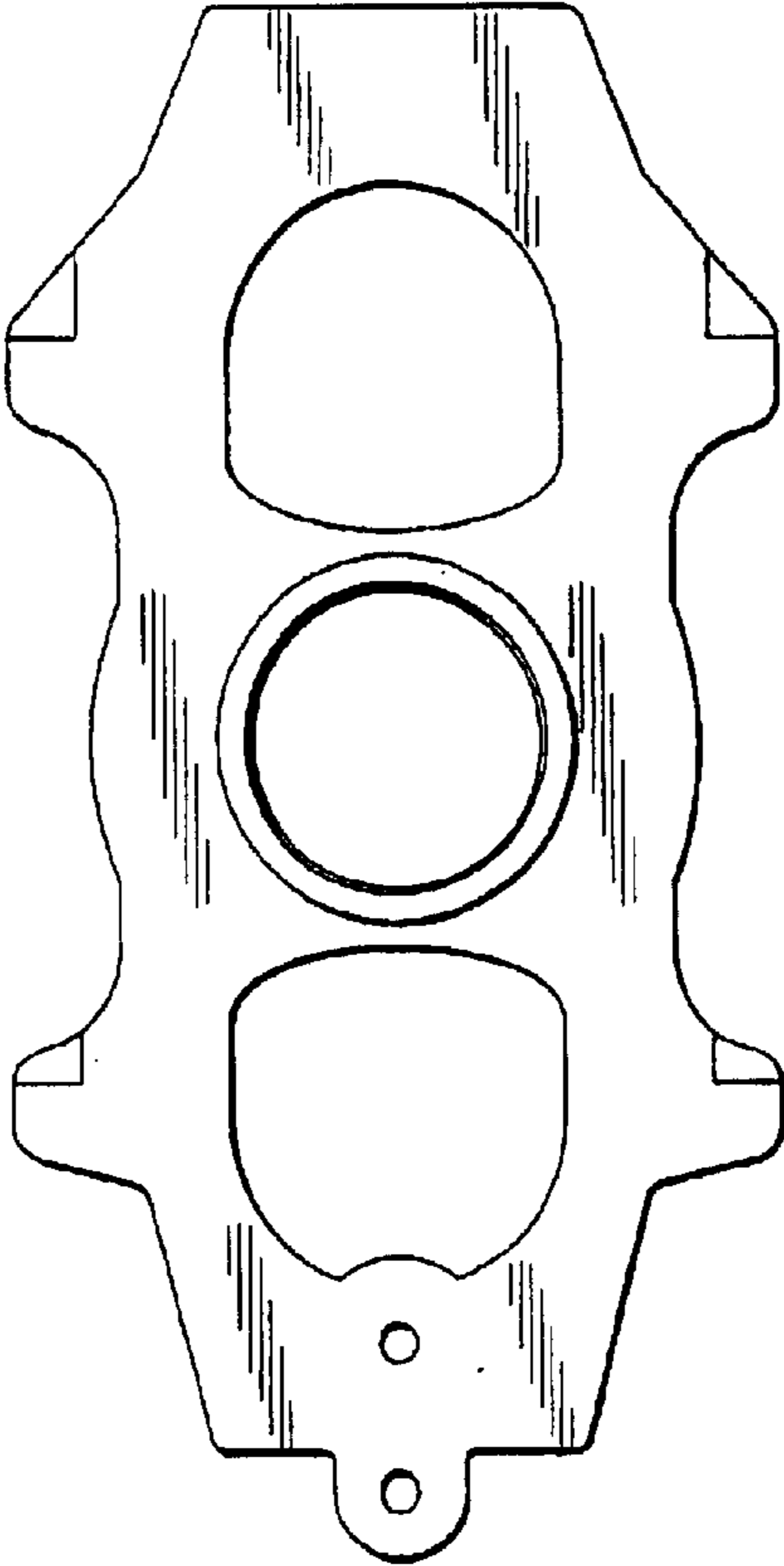


FIG. 2

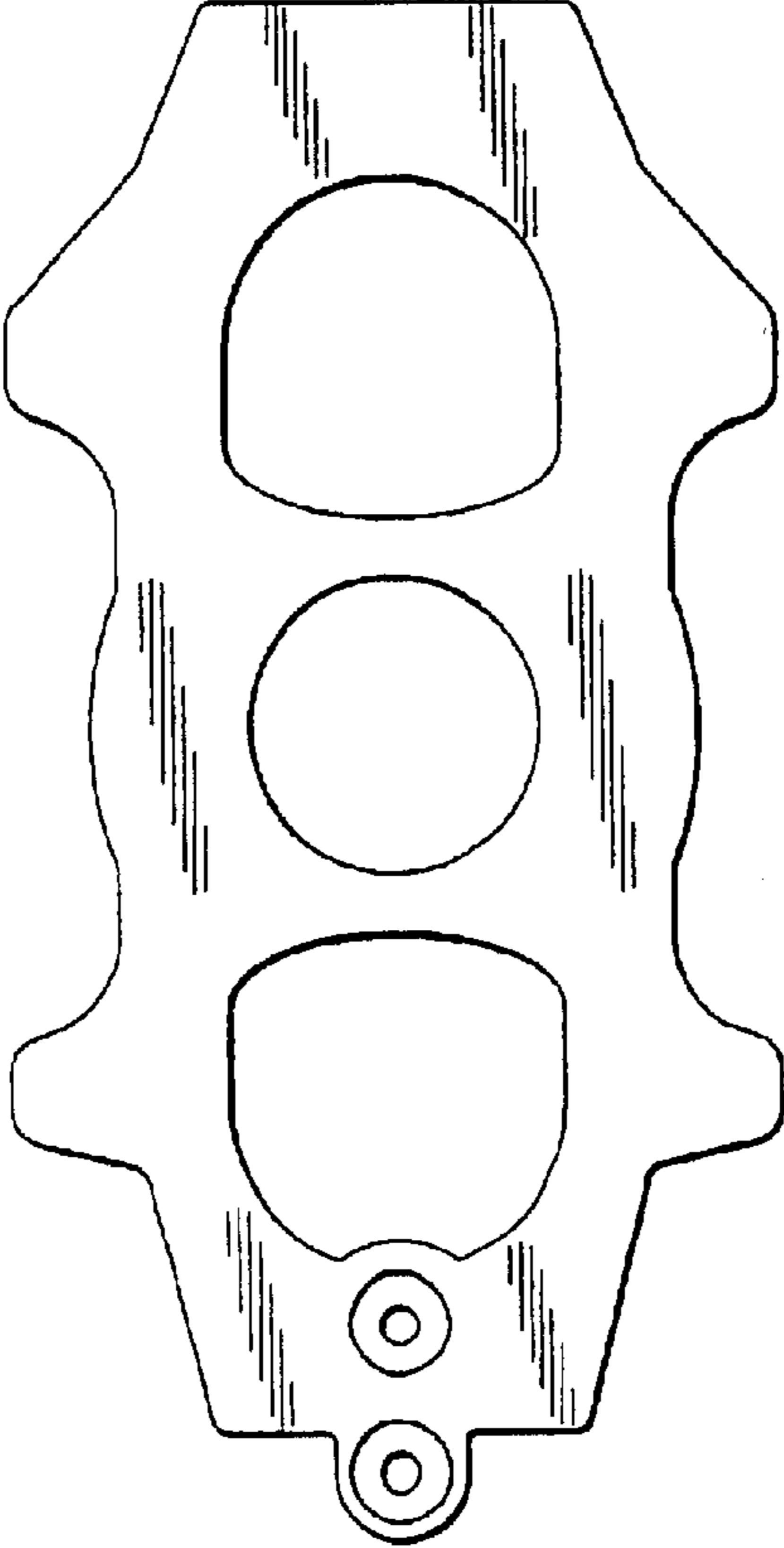


FIG. 3



FIG. 4

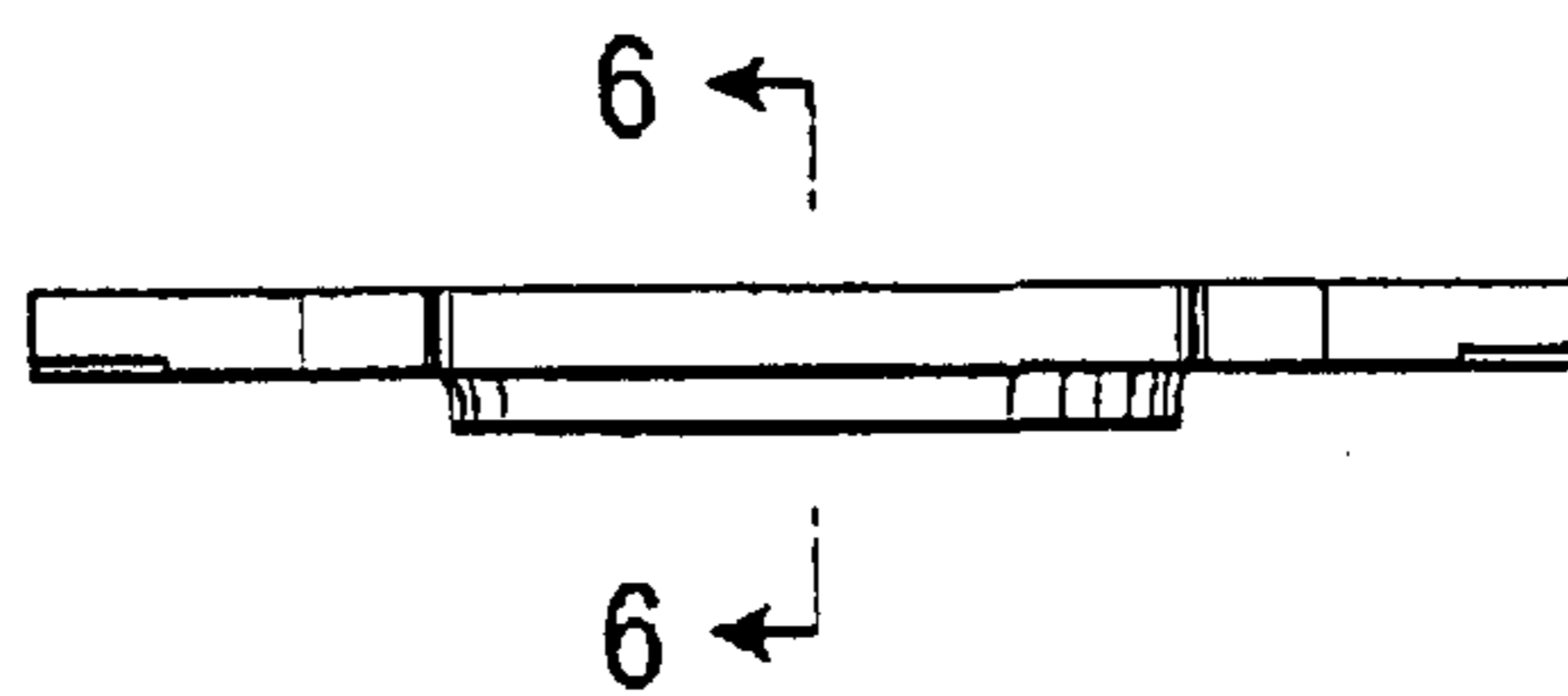


FIG. 5



FIG. 6

