

US00D498195S

(12) **United States Design Patent**  
**Guevara**

(10) **Patent No.:** **US D498,195 S**

(45) **Date of Patent:** **\*\* Nov. 9, 2004**

(54) **SIX SPOKE ALLOY WHEEL**

(76) **Inventor:** **Ricardo S. Guevara**, 121 Express St.,  
Plainview, NY (US) 11803

(\*\*) **Term:** **14 Years**

(21) **Appl. No.:** **29/196,282**

(22) **Filed:** **Dec. 24, 2003**

(51) **LOC (7) Cl.** ..... **12-16**

(52) **U.S. Cl.** ..... **D12/211**

(58) **Field of Search** ..... **D12/204-213;**  
**301/37.101, 64.101, 65**

D470,449 S	*	2/2003	Bernoni .....	D12/211
D470,812 S	*	2/2003	Chu .....	D12/211
D471,500 S	*	3/2003	Kataoka .....	D12/209
D481,344 S	*	10/2003	Mattin et al. ....	D12/211
D481,348 S	*	10/2003	Kang .....	D12/211
D481,984 S	*	11/2003	Sulahian .....	D12/211
D484,083 S	*	12/2003	Tai .....	D12/211

\* cited by examiner

*Primary Examiner*—Stacia Cadmus

(74) *Attorney, Agent, or Firm*—Collard Roe P.C.

(57) **CLAIM**

The ornamental design for a six spoke alloy wheel, as shown and described.

(56) **References Cited**

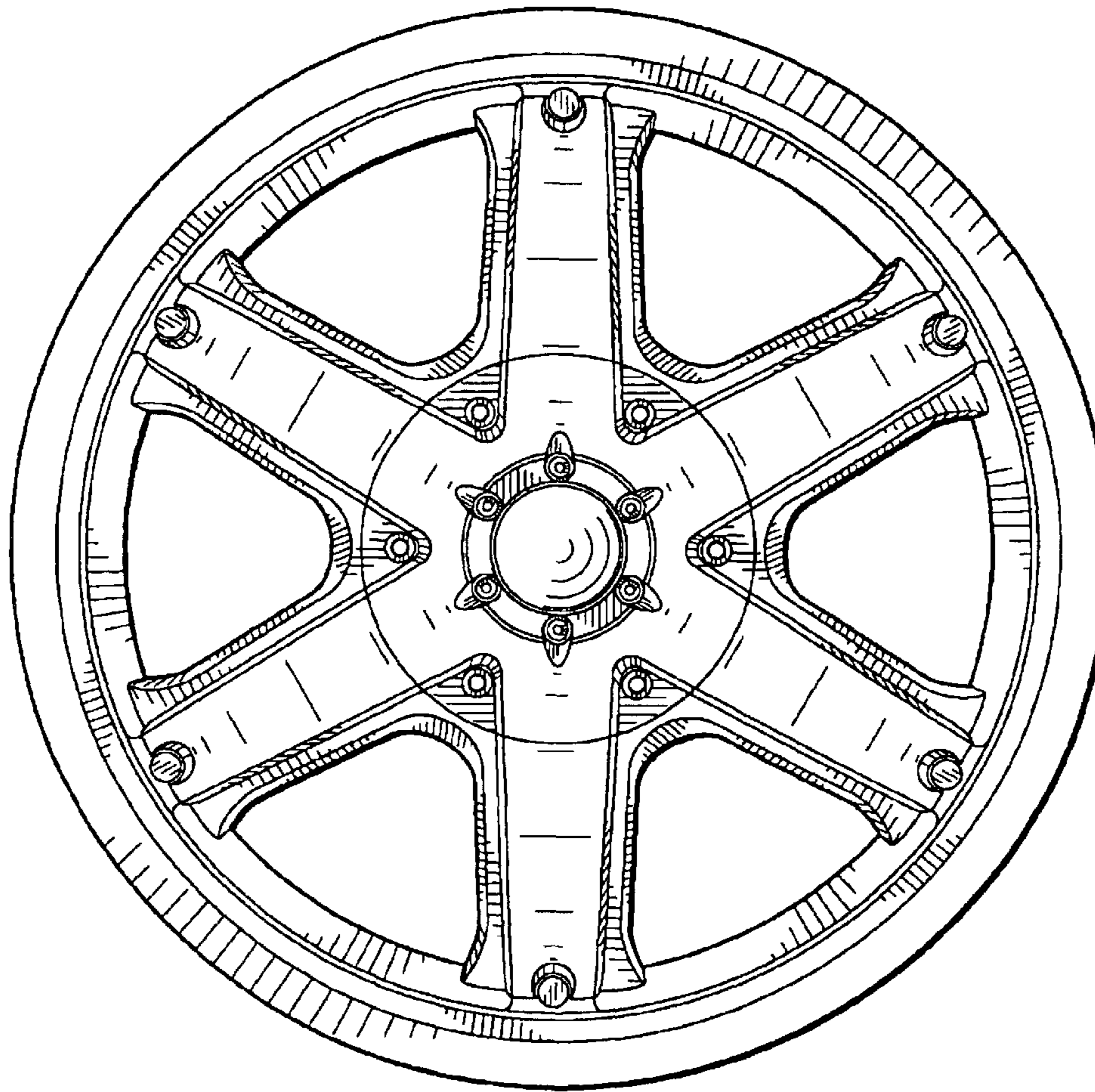
**U.S. PATENT DOCUMENTS**

D208,543 S	*	9/1967	Halibrand .....	D12/211
D433,987 S	*	11/2000	Couzyn et al. ....	D12/211
D438,165 S	*	2/2001	Echazabal .....	D12/211
D446,493 S	*	8/2001	Sulahian et al. ....	D12/211
D448,712 S	*	10/2001	Laengerer .....	D12/209
D454,107 S	*	3/2002	Chung .....	D12/211
D459,691 S	*	7/2002	Takechi .....	D12/211
D464,924 S	*	10/2002	Singer .....	D12/211
D465,184 S	*	11/2002	Chung .....	D12/211

**DESCRIPTION**

FIG. 1 shows a front perspective view of a six spoke alloy wheel;  
FIG. 2 shows a front-side view of a six spoke alloy wheel;  
and,  
FIG. 3 shows a side view of a six spoke alloy wheel shown in FIGS. 1 and 2 with the opposite side being identical as the wheel is symmetrical.

**1 Claim, 3 Drawing Sheets**



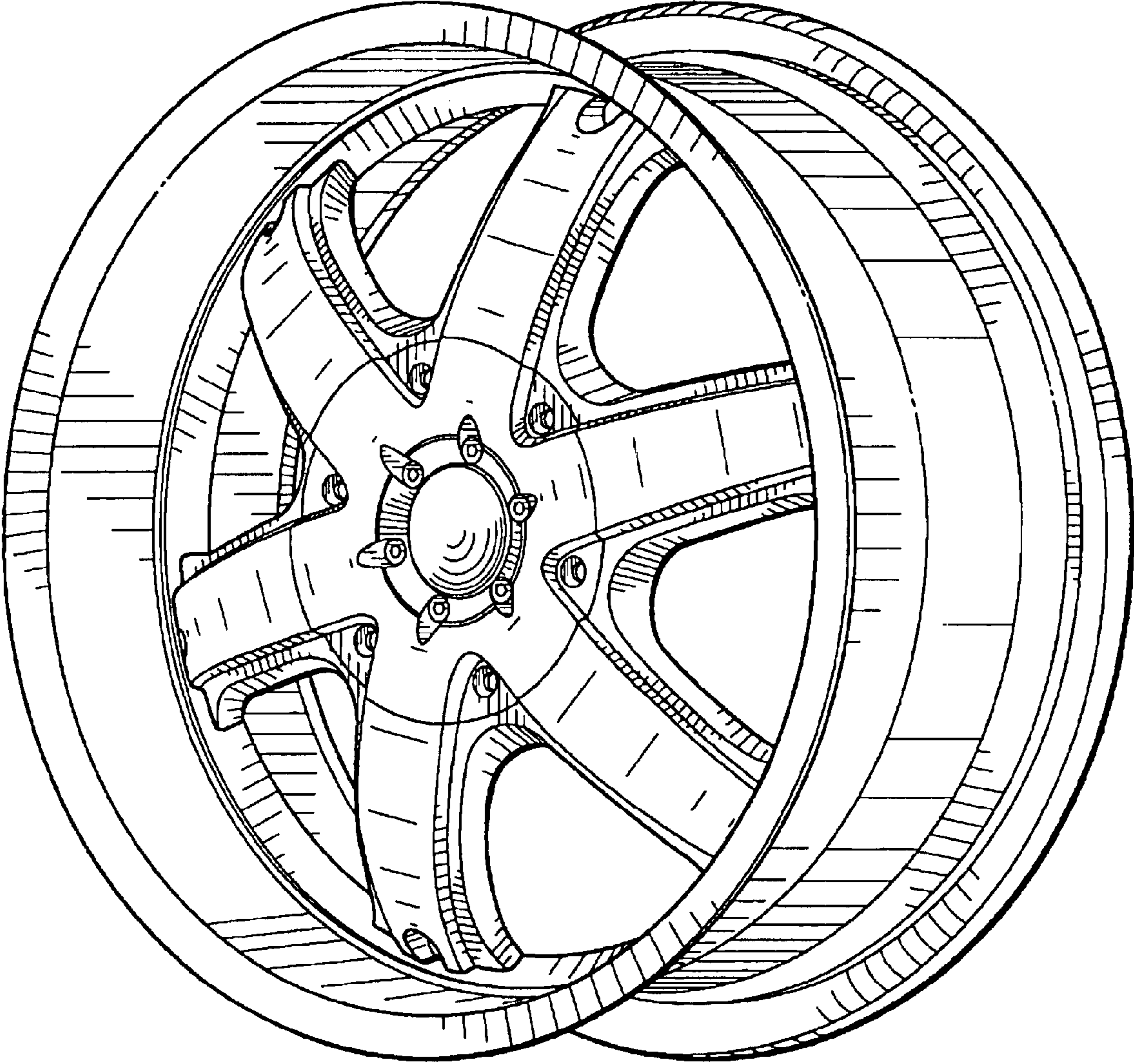


FIG. 1



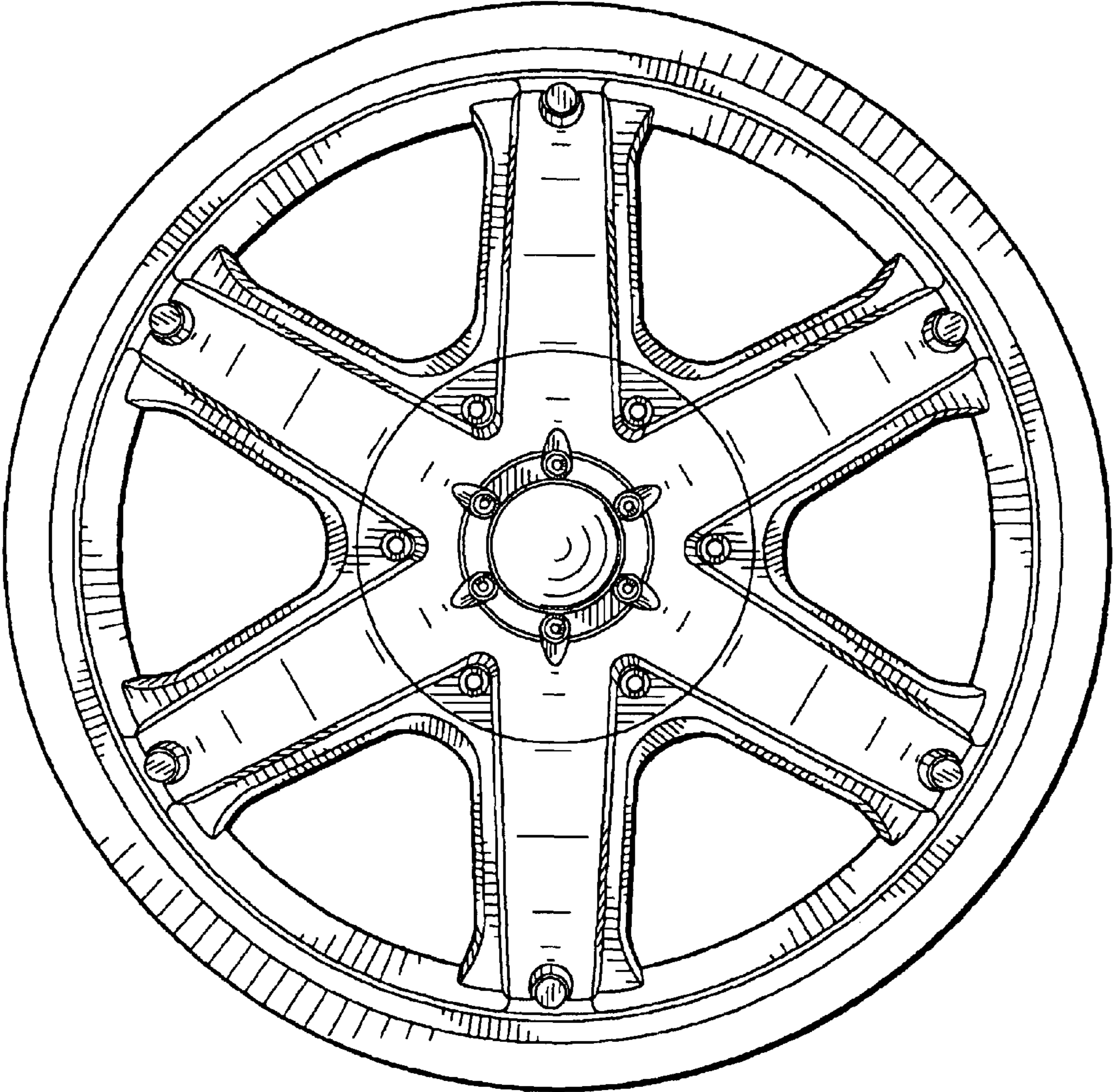


FIG. 2

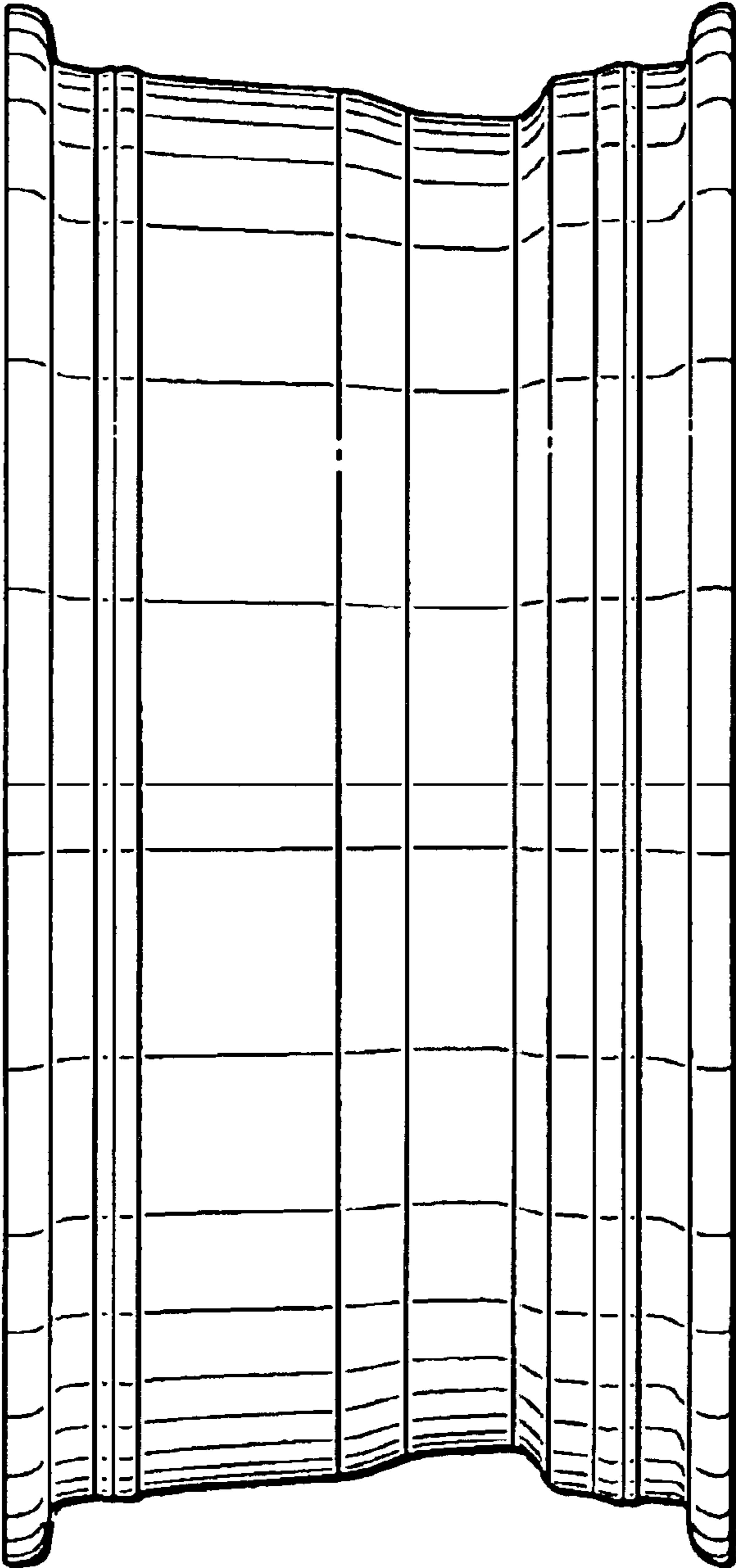


FIG. 3