

US00D498194S

(12) **United States Design Patent**
Aquino

(10) **Patent No.: US D498,194 S**

(45) **Date of Patent: ** Nov. 9, 2004**

(54) **FRONT FACE OF A WHEEL**

(76) **Inventor: Rodney L. Aquino**, 217 Bradford Dr.,
Byron, GA (US) 31008

(**) **Term: 14 Years**

(21) **Appl. No.: 29/202,979**

(22) **Filed: Apr. 8, 2004**

(51) **LOC (7) Cl. 12-16**

(52) **U.S. Cl. D12/209**

(58) **Field of Search D12/204-213;**
301/37.101, 64.101, 65

D441,338 S	*	5/2001	Hussaini et al.	D12/209
D450,288 S	*	11/2001	Lee	D12/209
D451,061 S	*	11/2001	Ishihara	D12/209
D455,696 S		4/2002	Foose	D12/209
D481,341 S	*	10/2003	Morrison	D12/209
D488,761 S	*	4/2004	Kuninari et al.	D12/209

* cited by examiner

Primary Examiner—Stacia Cadmus

(74) *Attorney, Agent, or Firm*—Richard C. Litman

(57) **CLAIM**

The ornamental design for a front face of a wheel, as shown and described.

DESCRIPTION

FIG. 1 is a front view of a front face of a wheel showing my new design; and,

FIG. 2 is an environmental perspective view thereof.

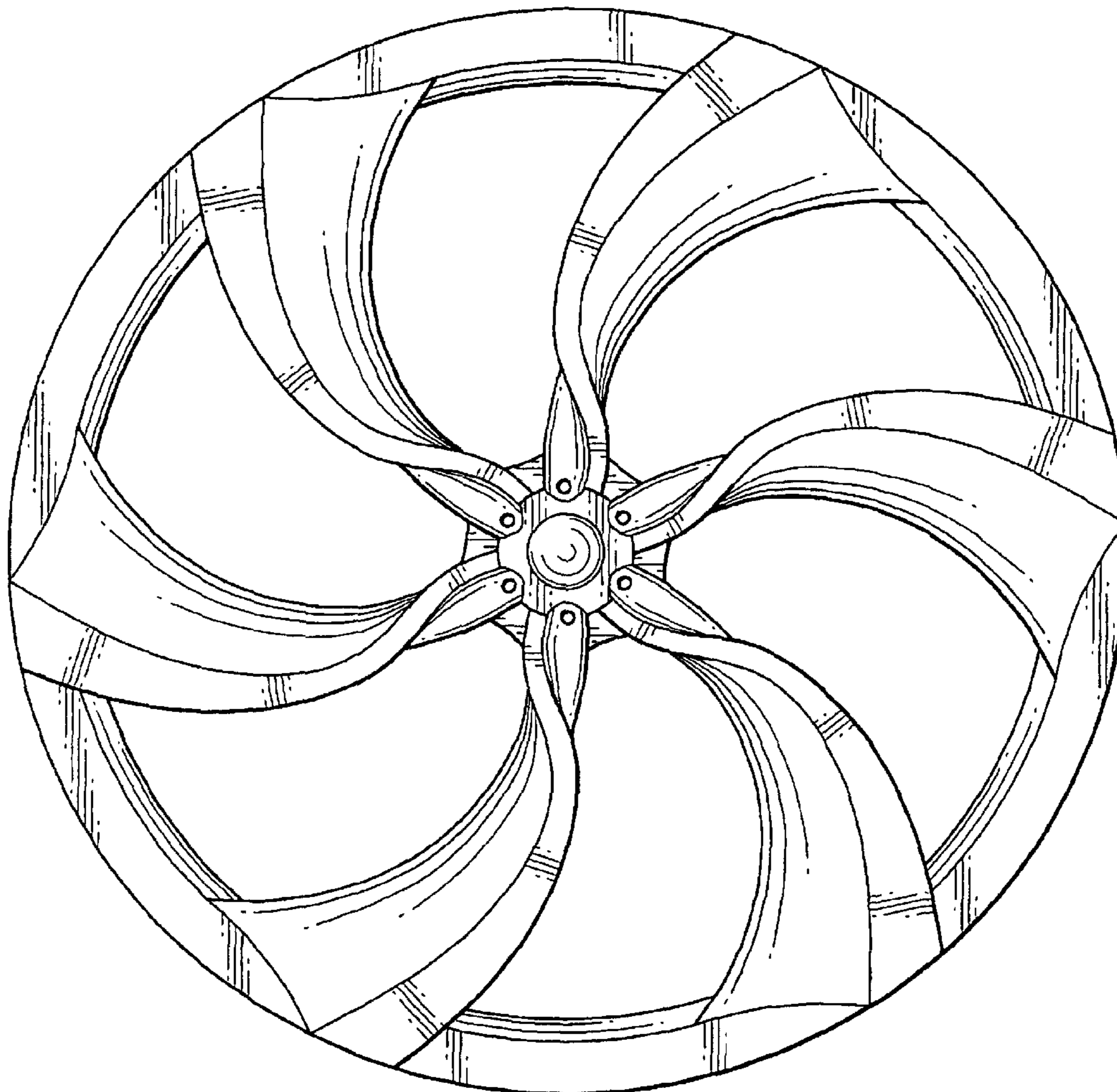
The broken line showing of the portion of the wheel other than its front face is for illustrative purposes only and forms no part of the claimed design.

1 Claim, 2 Drawing Sheets

(56) **References Cited**

U.S. PATENT DOCUMENTS

D386,738 S	*	11/1997	Doyle	D12/209
D407,054 S		3/1999	Kelley	D12/209
D424,499 S	*	5/2000	Fitzgerald	D12/209
D427,557 S	*	7/2000	Chung	D12/209
D436,572 S		1/2001	Brown	D12/209
D438,832 S		3/2001	Ong	D12/209
D440,933 S		4/2001	Vian	D12/209



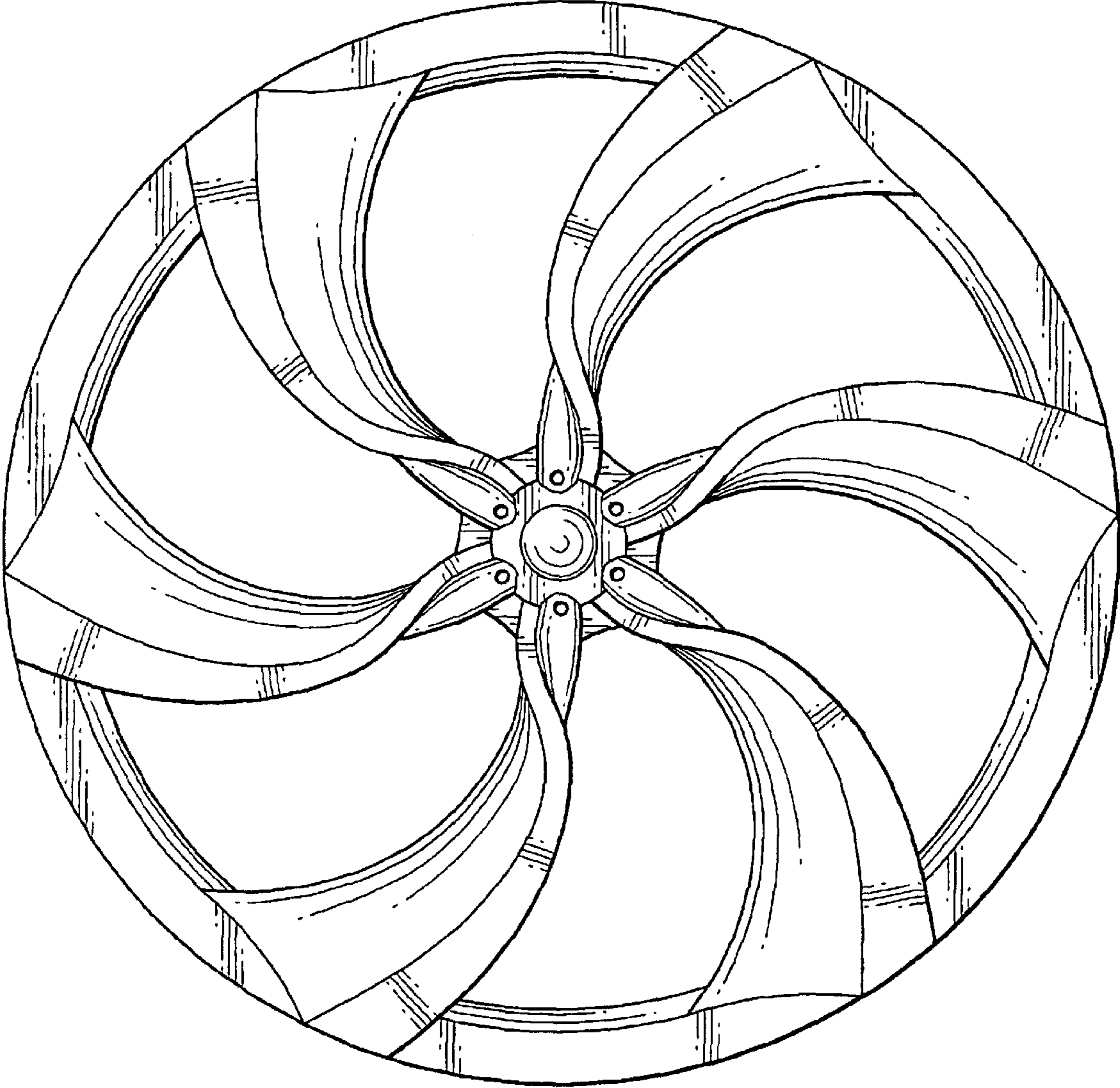


FIG. 1

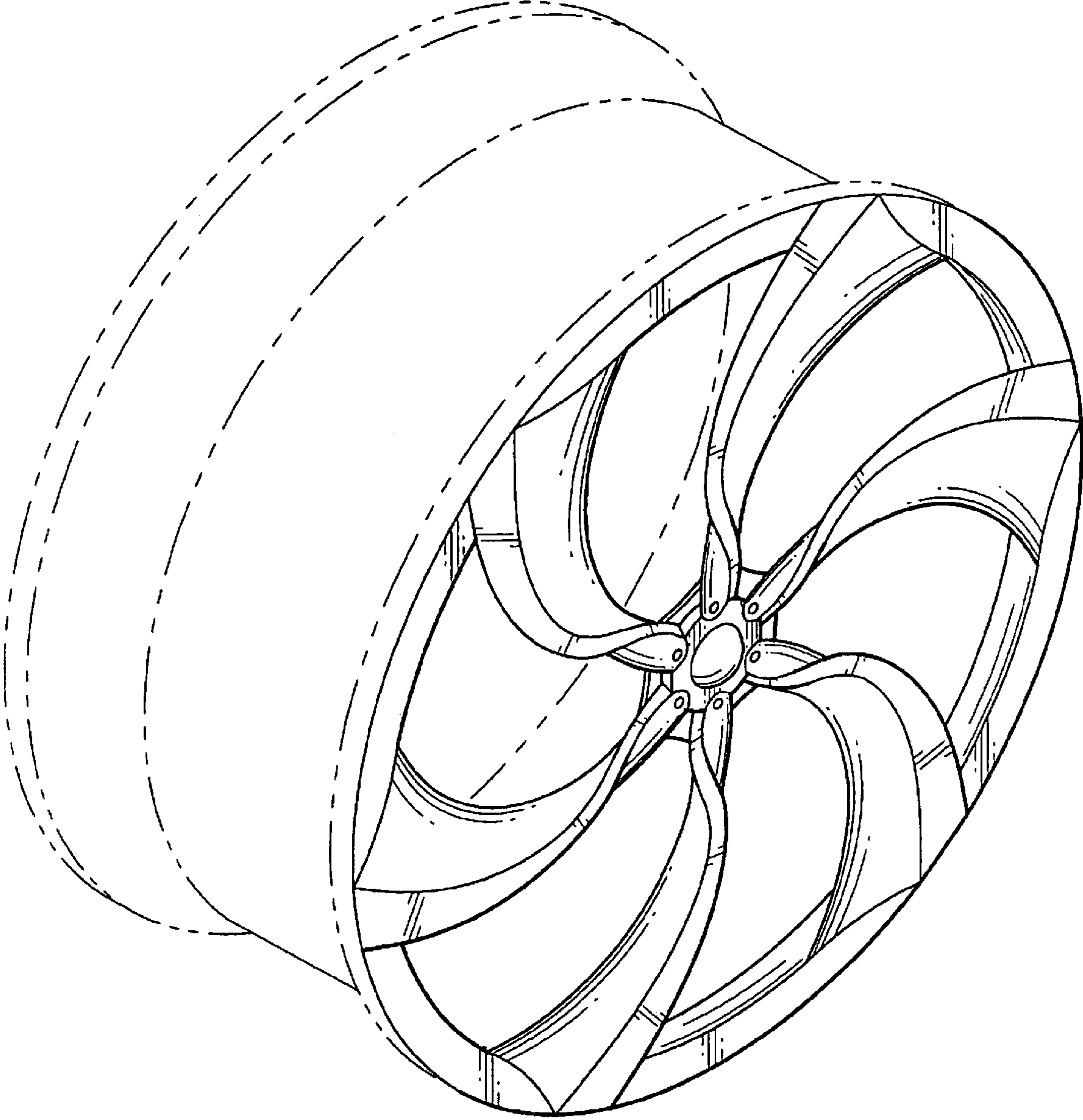


FIG. 2