

US00D498184S

(12) **United States Design Patent**
Gustafsson

(10) **Patent No.:** **US D498,184 S**

(45) **Date of Patent:** **** Nov. 9, 2004**

(54) **STRETCHER**

D346,346 S * 4/1994 Johnson et al. D12/128
D435,493 S * 12/2000 Jewell et al. D12/128

(75) Inventor: **Johan Gustafsson, Umea (SE)**

* cited by examiner

(73) Assignee: **Mobile Intensive Care Unit Sweden
MICUS AB (SE)**

Primary Examiner—Marcus A. Jackson

(74) *Attorney, Agent, or Firm*—Banner & Witcoff, Ltd.

(**) Term: **14 Years**

(57) **CLAIM**

(21) Appl. No.: **29/195,312**

The ornamental design for a stretcher, as shown and described.

(22) Filed: **Dec. 10, 2003**

(30) **Foreign Application Priority Data**

Jun. 10, 2003 (EM) 39730

(51) **LOC (7) Cl.** **12-99**

(52) **U.S. Cl.** **D12/128**

(58) **Field of Search** D12/128-133;
5/625-628, 424, 425

DESCRIPTION

FIG. 1 is a perspective view of a stretcher showing my new design;

FIG. 2 is a side elevational view thereof;

FIG. 3 is a side elevational view thereof, taken opposite that of FIG. 2;

FIG. 4 is a rear elevational view thereof;

FIG. 5 is a front elevational view thereof; and,

FIG. 6 is a top plan view thereof.

The bottom of the stretcher that is not illustrated forms no part of the claimed design.

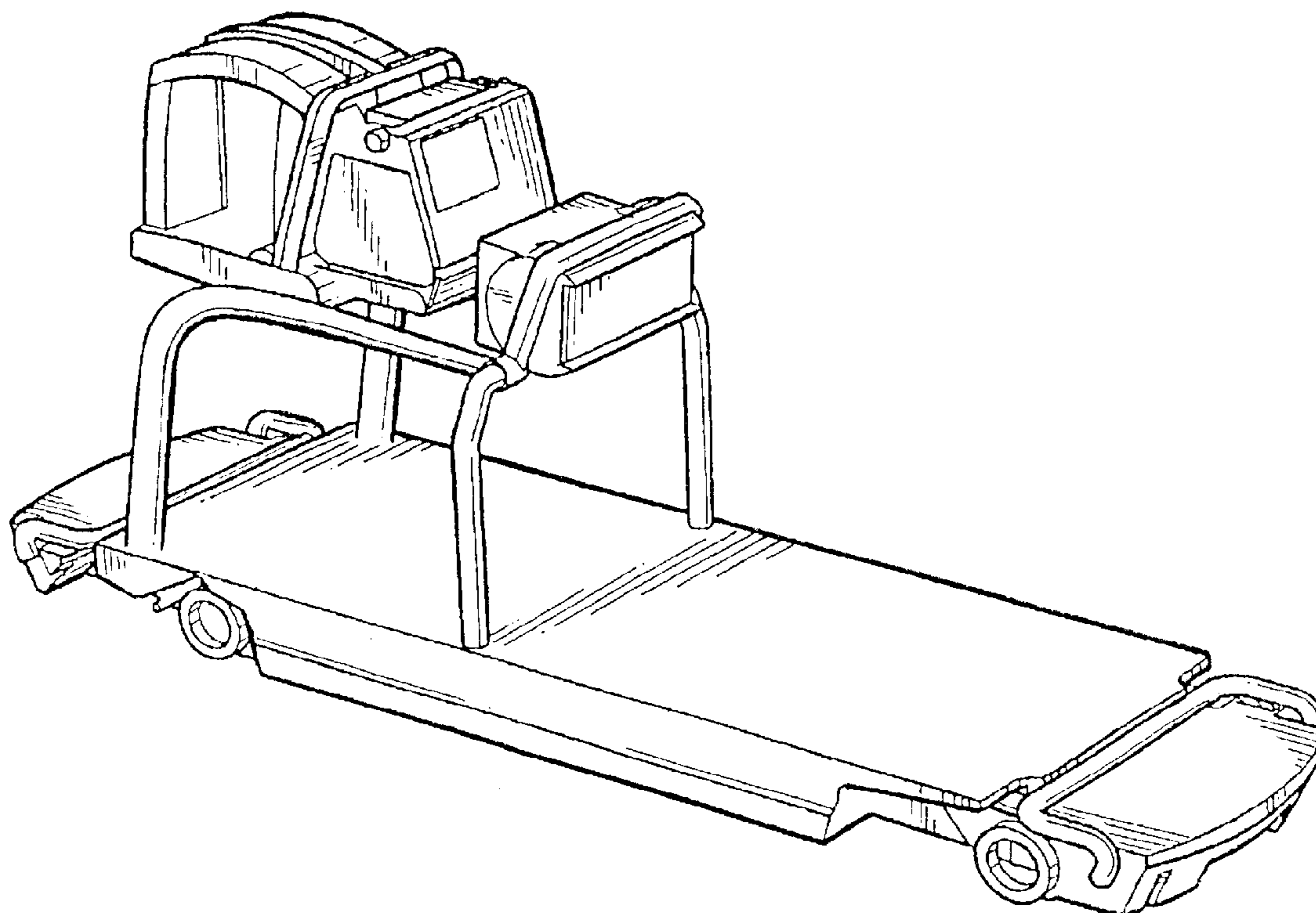
(56) **References Cited**

U.S. PATENT DOCUMENTS

4,747,172 A * 5/1988 Hohol et al. D12/128

5,197,156 A * 3/1993 Stryker et al. D12/128

1 Claim, 3 Drawing Sheets



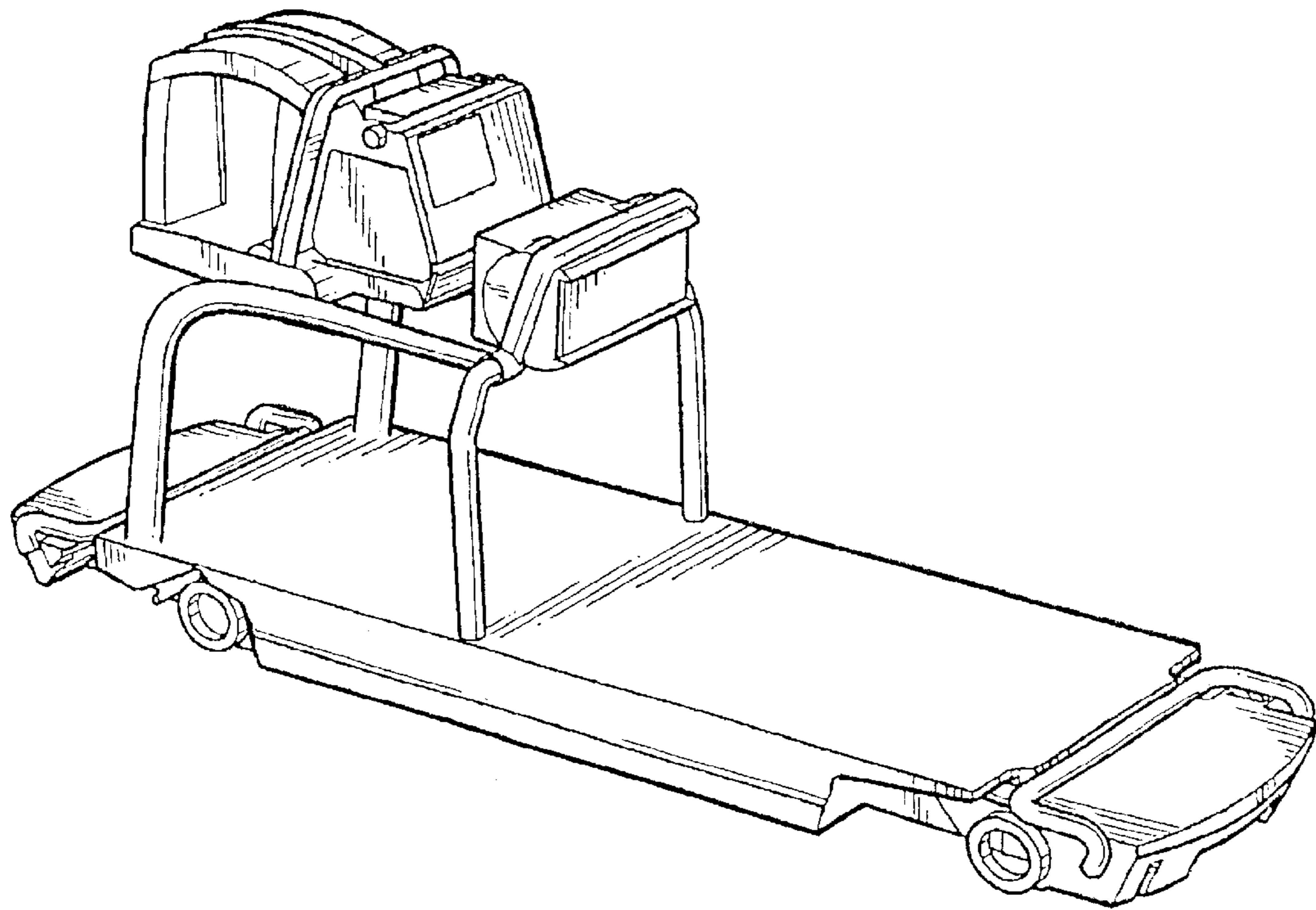


FIG. 1

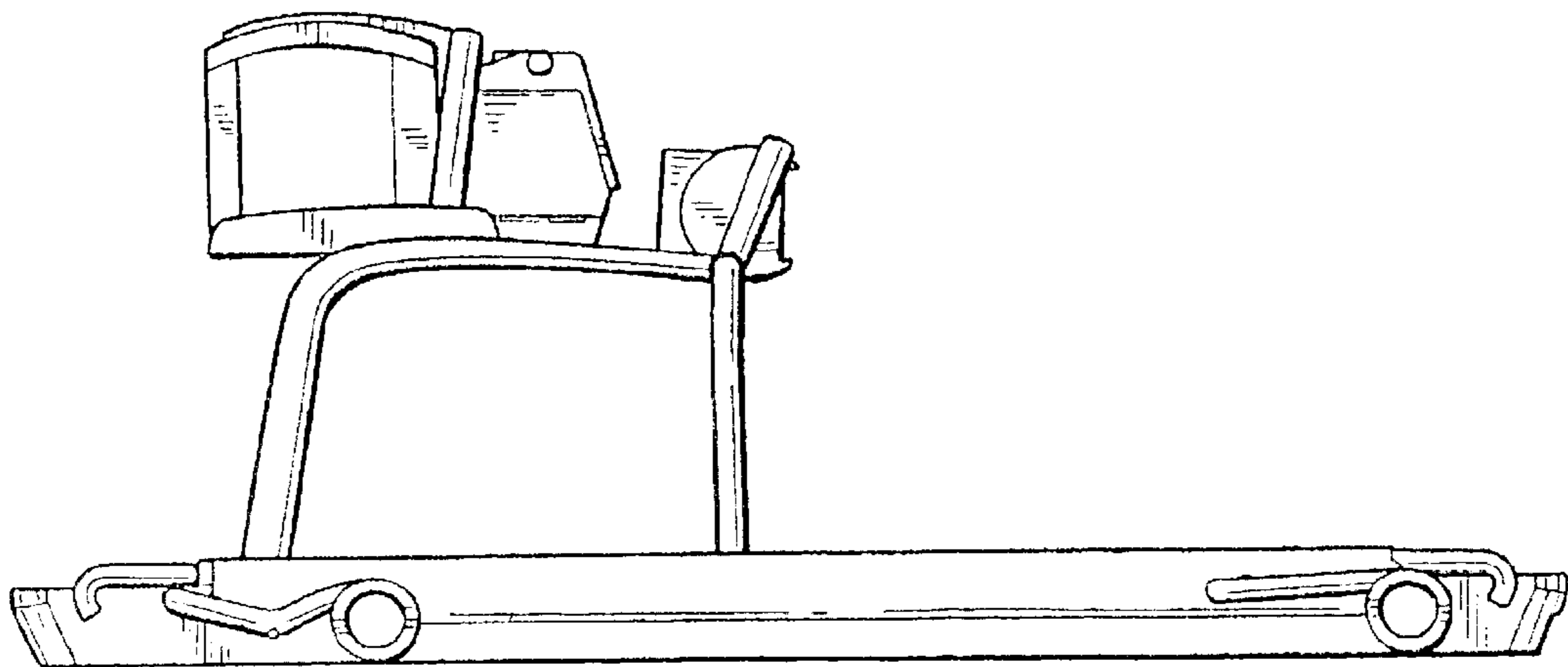


FIG. 2

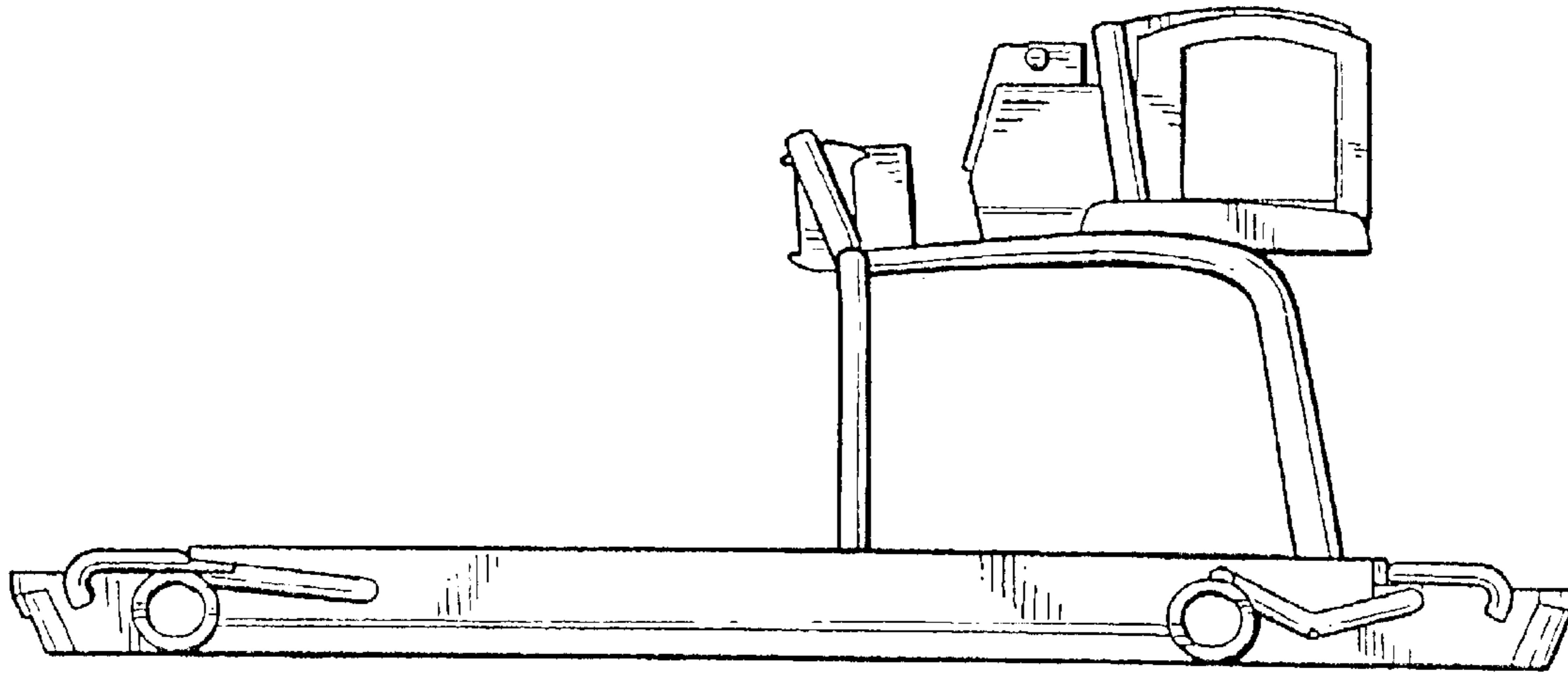


FIG. 3

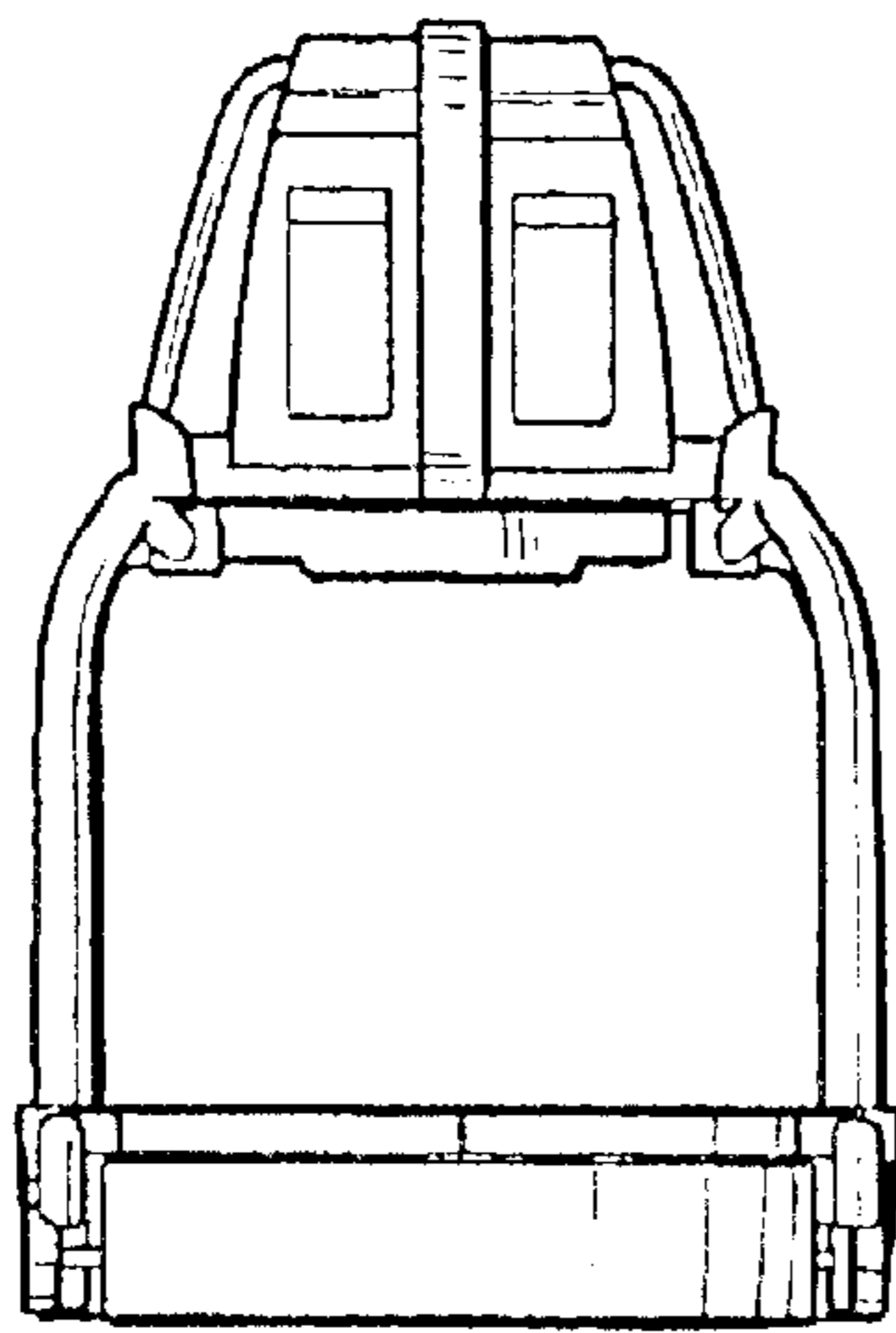


FIG. 4

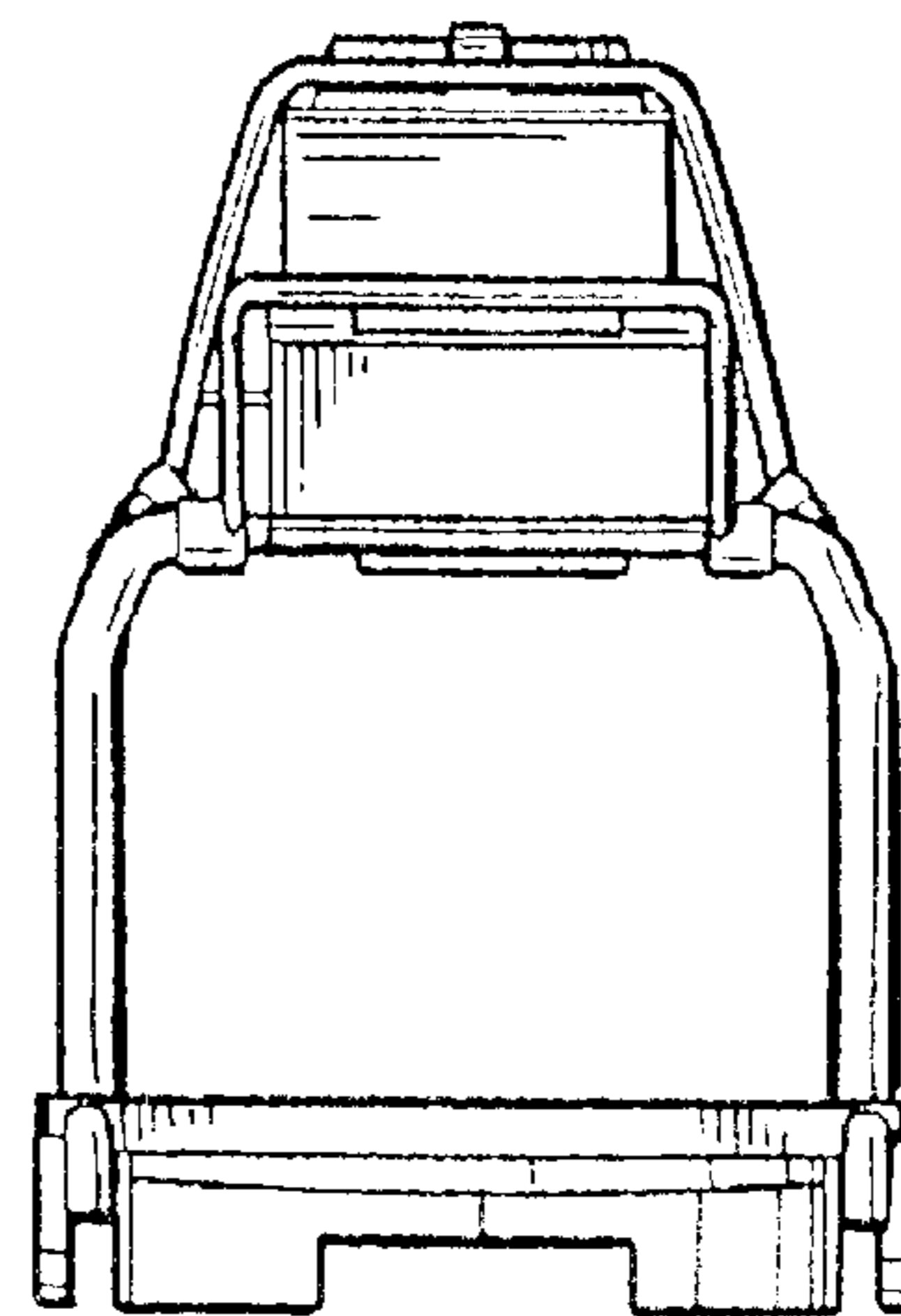


FIG. 5

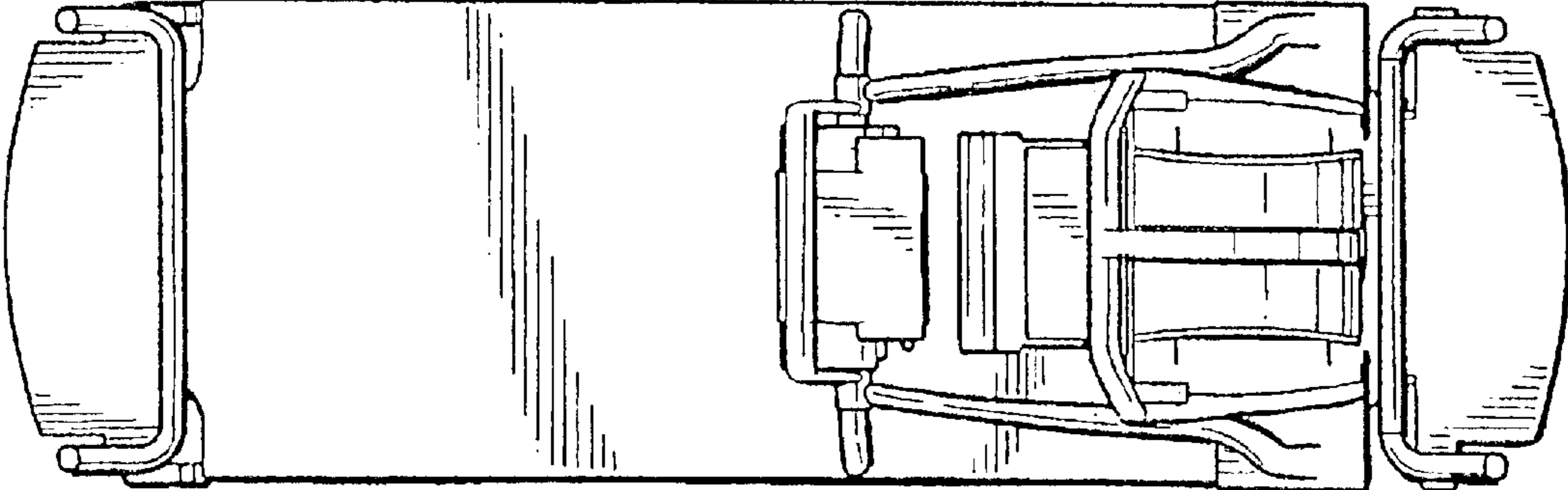


FIG. 6