

US00D498180S

(12) **United States Design Patent**
Fowler et al.

(10) **Patent No.:** **US D498,180 S**
(45) **Date of Patent:** **** Nov. 9, 2004**

(54) **BICYCLE**

(75) Inventors: **John E. Fowler**, Dayton, OH (US);
David M. Gunter, Centerville, OH (US)

(73) Assignee: **Huffy Corporation**, Miamisburg, OH (US)

(**) Term: **14 Years**

(21) Appl. No.: **29/182,527**

(22) Filed: **May 29, 2003**

(51) **LOC (7) Cl.** **12-11**

(52) **U.S. Cl.** **D12/111**

(58) **Field of Search** D12/111, 112,
D12/117; 280/274, 275, 281.1, 283, 288.1,
288.3

(56) **References Cited**

U.S. PATENT DOCUMENTS

D110,226 S * 6/1938 Snell D12/112
2,497,121 A * 2/1950 Fletcher 280/283 X

OTHER PUBLICATIONS

Bicycling Aug. 2001, epk Terrashark on p. 78.*

* cited by examiner

Primary Examiner—Alan P. Douglas

Assistant Examiner—Linda Brooks

(74) *Attorney, Agent, or Firm*—Howrey Simon Arnold & White, LLP; Michael J. Bell

(57) **CLAIM**

The ornamental design for a bicycle, as shown and described.

DESCRIPTION

FIG. 1 is a perspective view of a bicycle embodying my design.

FIG. 2 is a left side elevational view thereof;

FIG. 3 is a right side elevational view thereof;

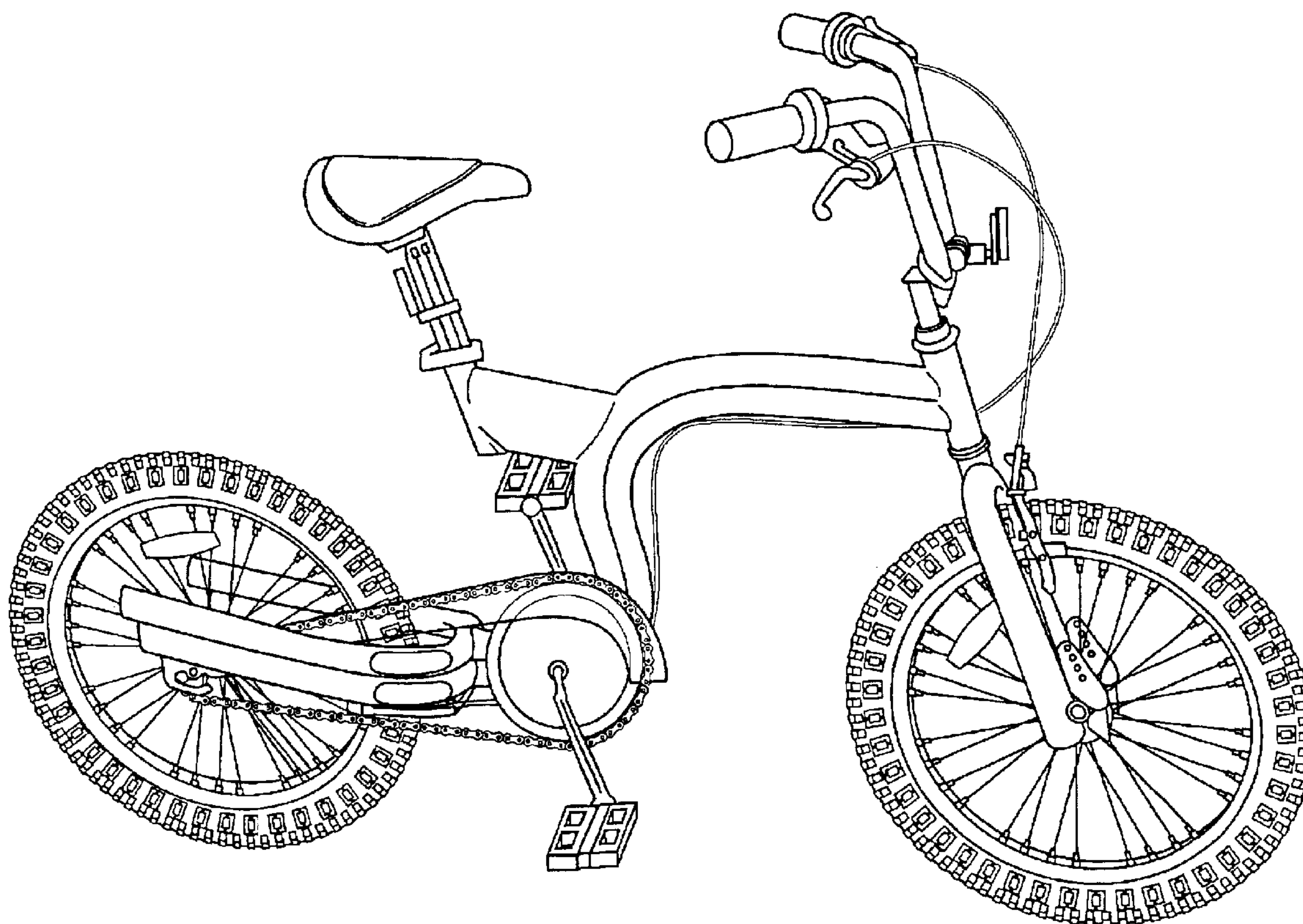
FIG. 4 is a top plan view thereof;

FIG. 5 is a bottom plan view thereof;

FIG. 6 is a front elevational view thereof; and,

FIG. 7 is a rear elevational view thereof.

1 Claim, 7 Drawing Sheets



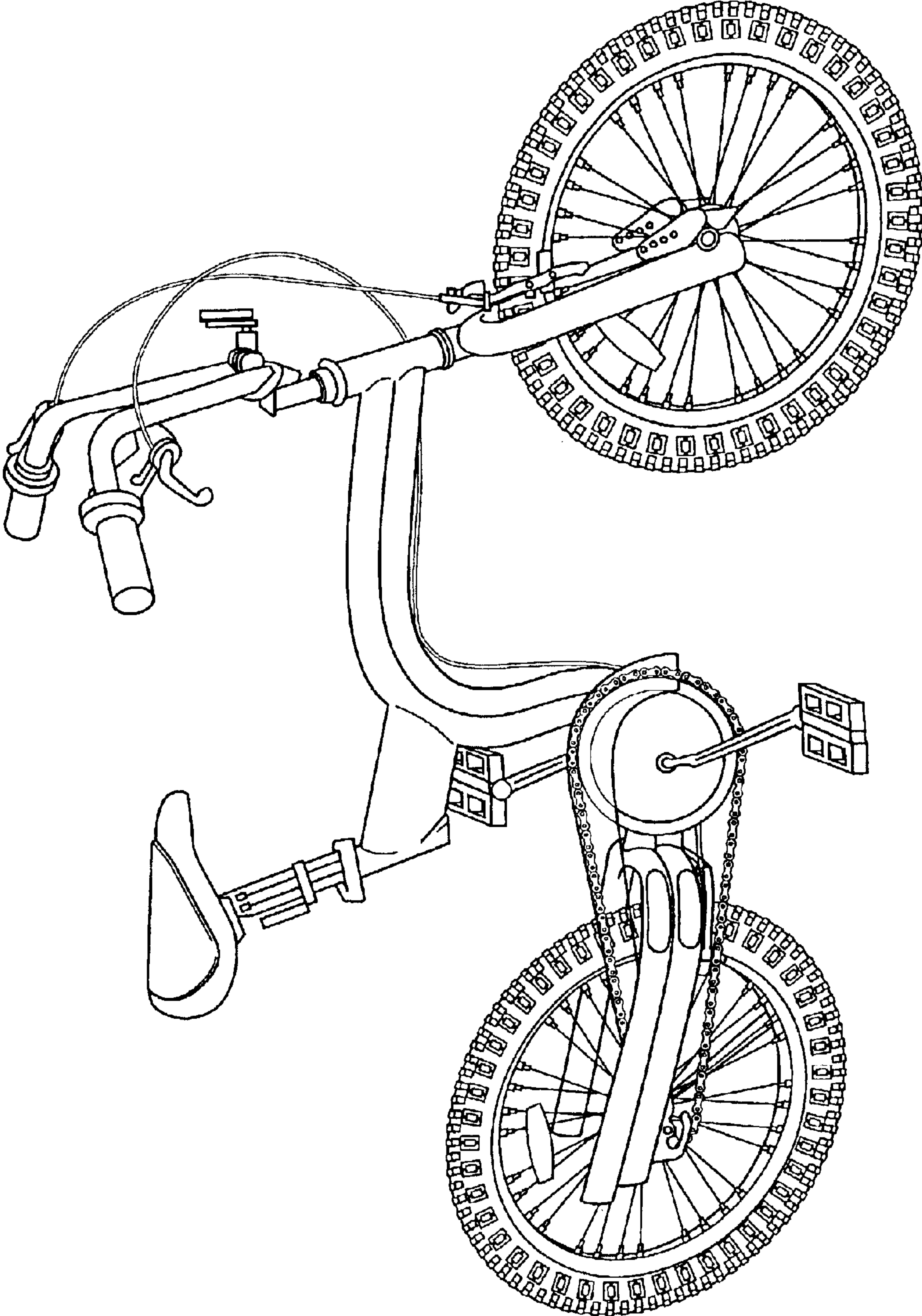


FIG. 1

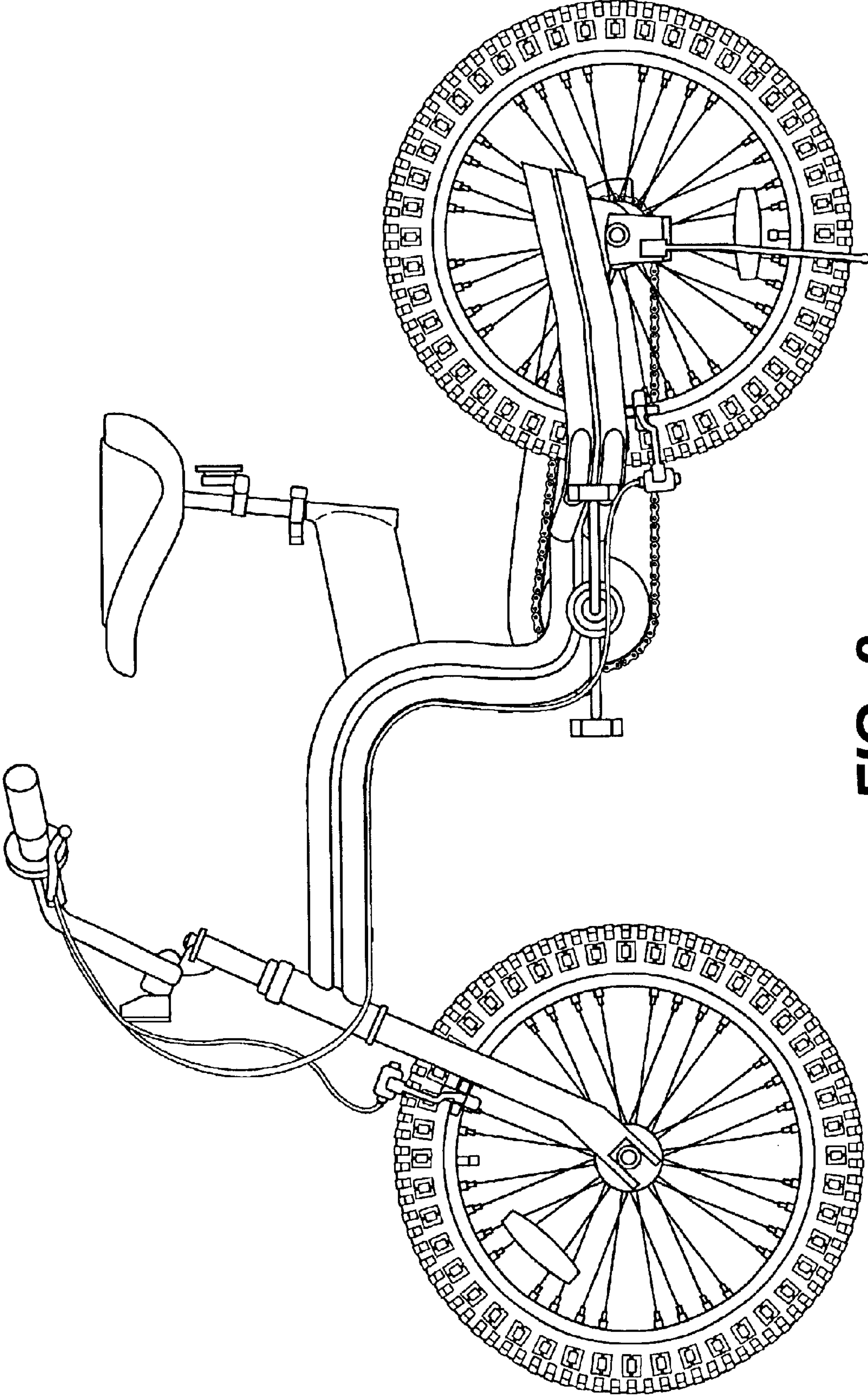


FIG. 2

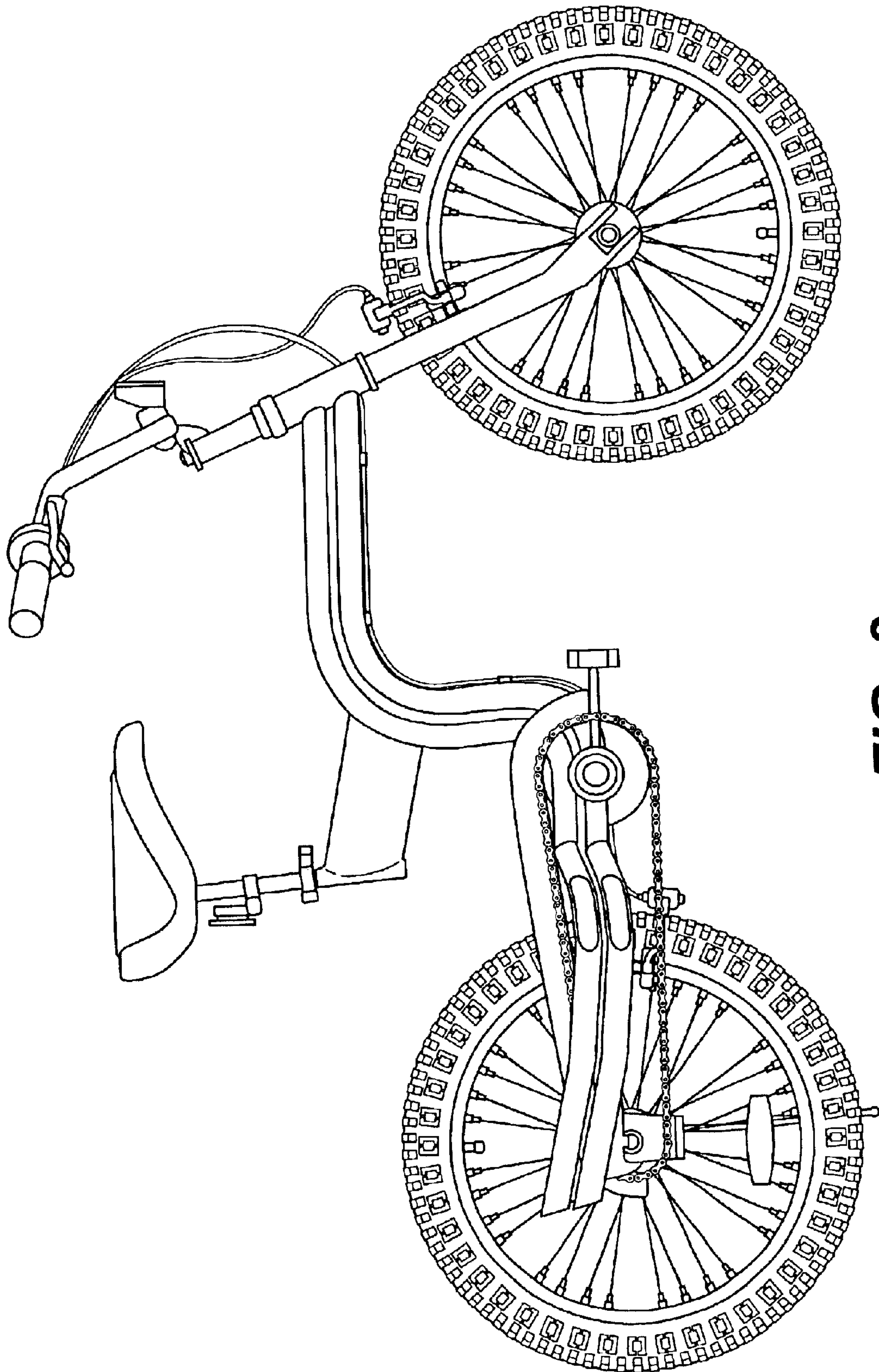


FIG. 3

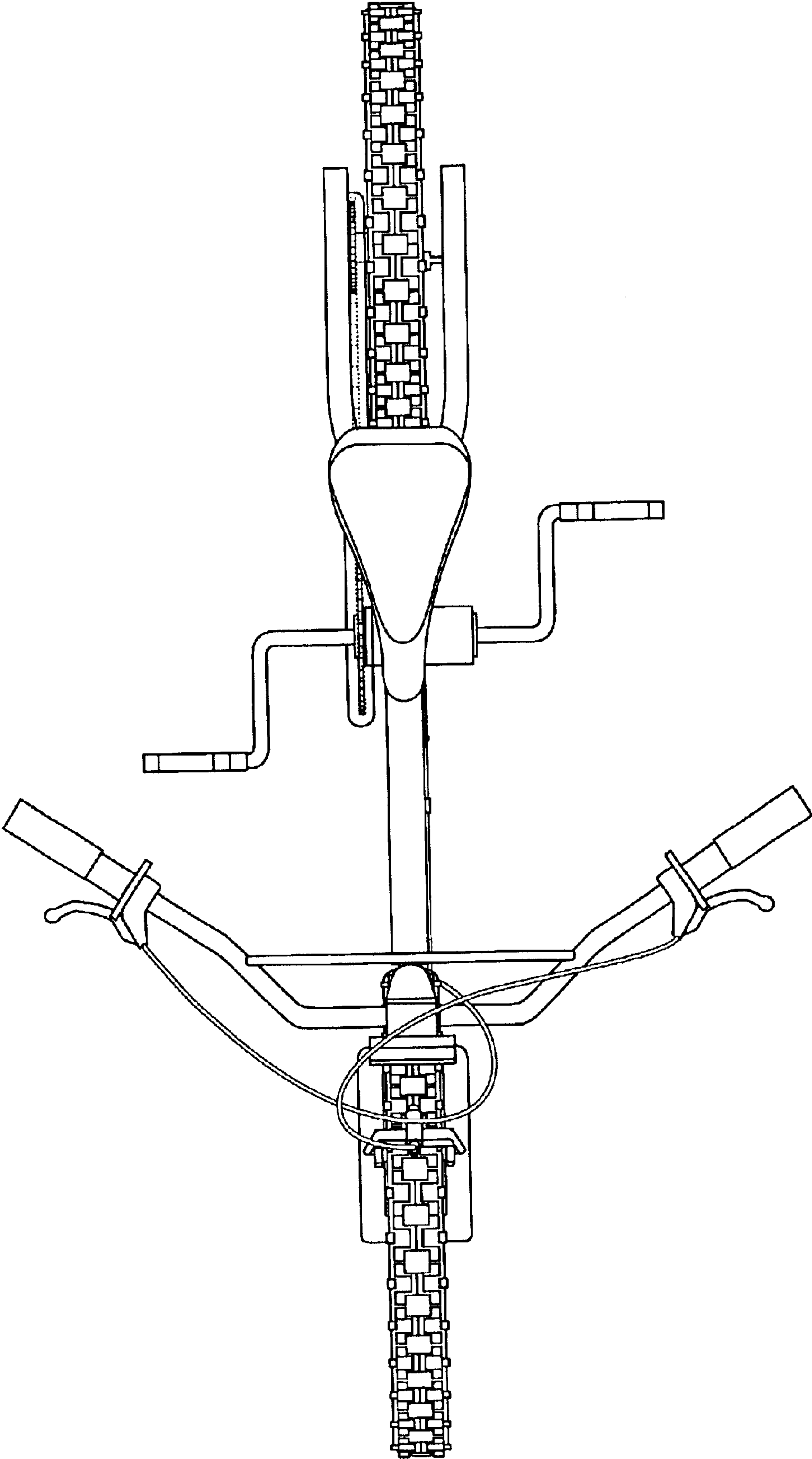


FIG. 4

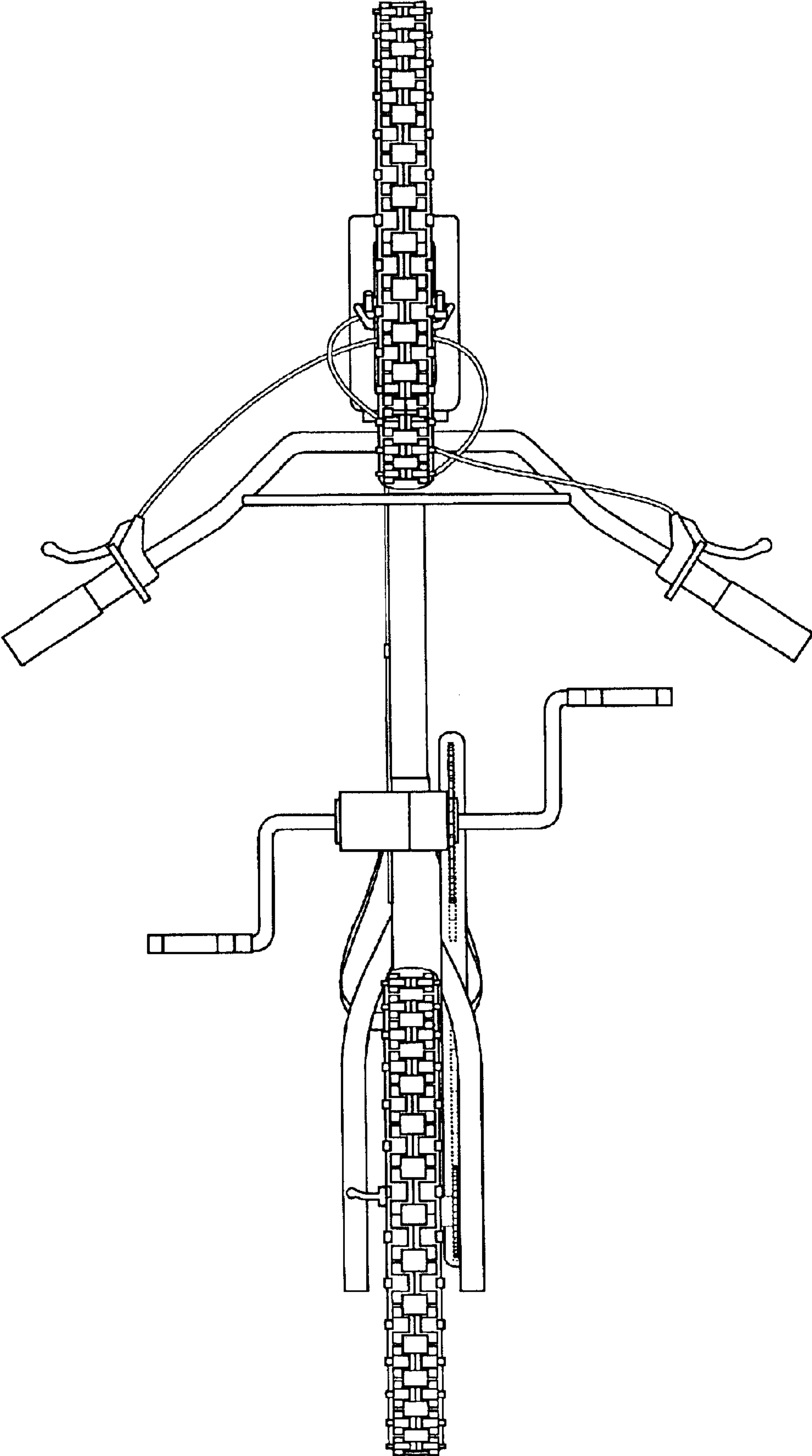


FIG. 5

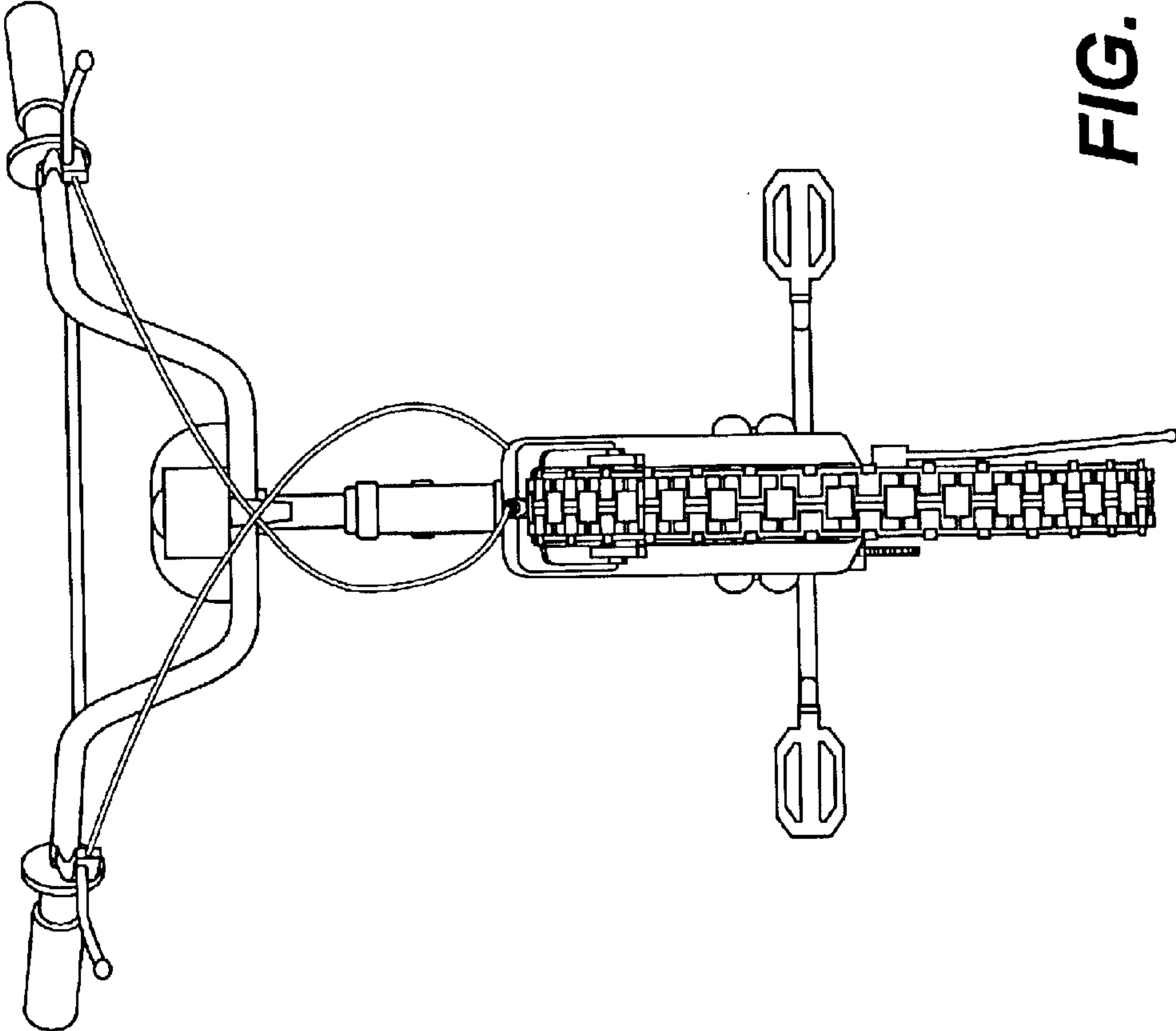


FIG. 6

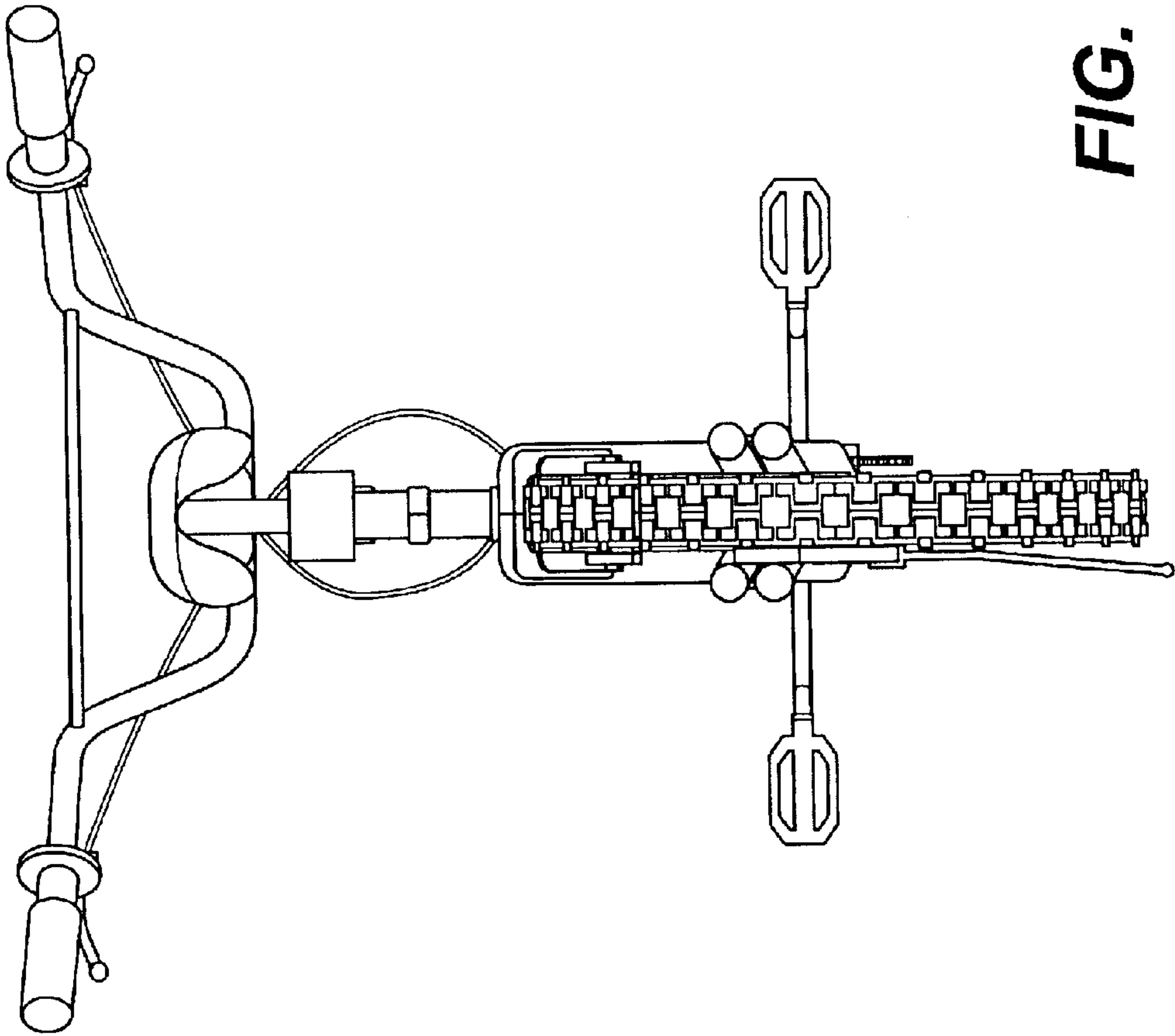


FIG. 7