

US00D498179S

(12) **United States Design Patent** (10) **Patent No.:** **US D498,179 S**  
**James** (45) **Date of Patent:** **\*\* Nov. 9, 2004**

(54) **MOTORCYCLE FRAME**

(75) Inventor: **Jesse G. James**, Surfside, CA (US)

(73) Assignee: **West Coast Choppers, Inc.**, Long Beach, CA (US)

(\*\*) Term: **14 Years**

(21) Appl. No.: **29/194,054**

(22) Filed: **Nov. 18, 2003**

(51) **LOC (7) Cl.** ..... **12-11**

(52) **U.S. Cl.** ..... **D12/110**

(58) **Field of Search** ..... D12/110; 180/219,  
180/227, 311, 312; 280/281.1, 283, 284,  
288.1-288.3

(56) **References Cited**

**U.S. PATENT DOCUMENTS**

|             |   |         |                |         |
|-------------|---|---------|----------------|---------|
| 5,704,442 A | * | 1/1998  | Okazaki et al. | 180/219 |
| D425,453 S  | * | 5/2000  | Manescalchi    | D12/110 |
| D480,335 S  |   | 10/2003 | James          |         |
| D480,664 S  |   | 10/2003 | James          |         |
| D480,993 S  |   | 10/2003 | James          |         |
| D483,300 S  |   | 12/2003 | James          |         |

**OTHER PUBLICATIONS**

Application Ser. No. 29/194,067, Jesse James, filed Nov. 18, 2003.\*

Application Ser. No. 29/194,063, Jesse James, filed Nov. 18, 2003.\*

Application Ser. No. 29/194,157, Jesse James, filed Nov. 18, 2003.\*

Application Ser. No. 29/194,156, Jesse James, filed Nov. 18, 2003.\*

Application Ser. No. 10/756,996, Jesse James, filed Jan. 12, 2004.\*

\* cited by examiner

*Primary Examiner*—Alan P. Douglas

*Assistant Examiner*—Linda Brooks

(57) **CLAIM**

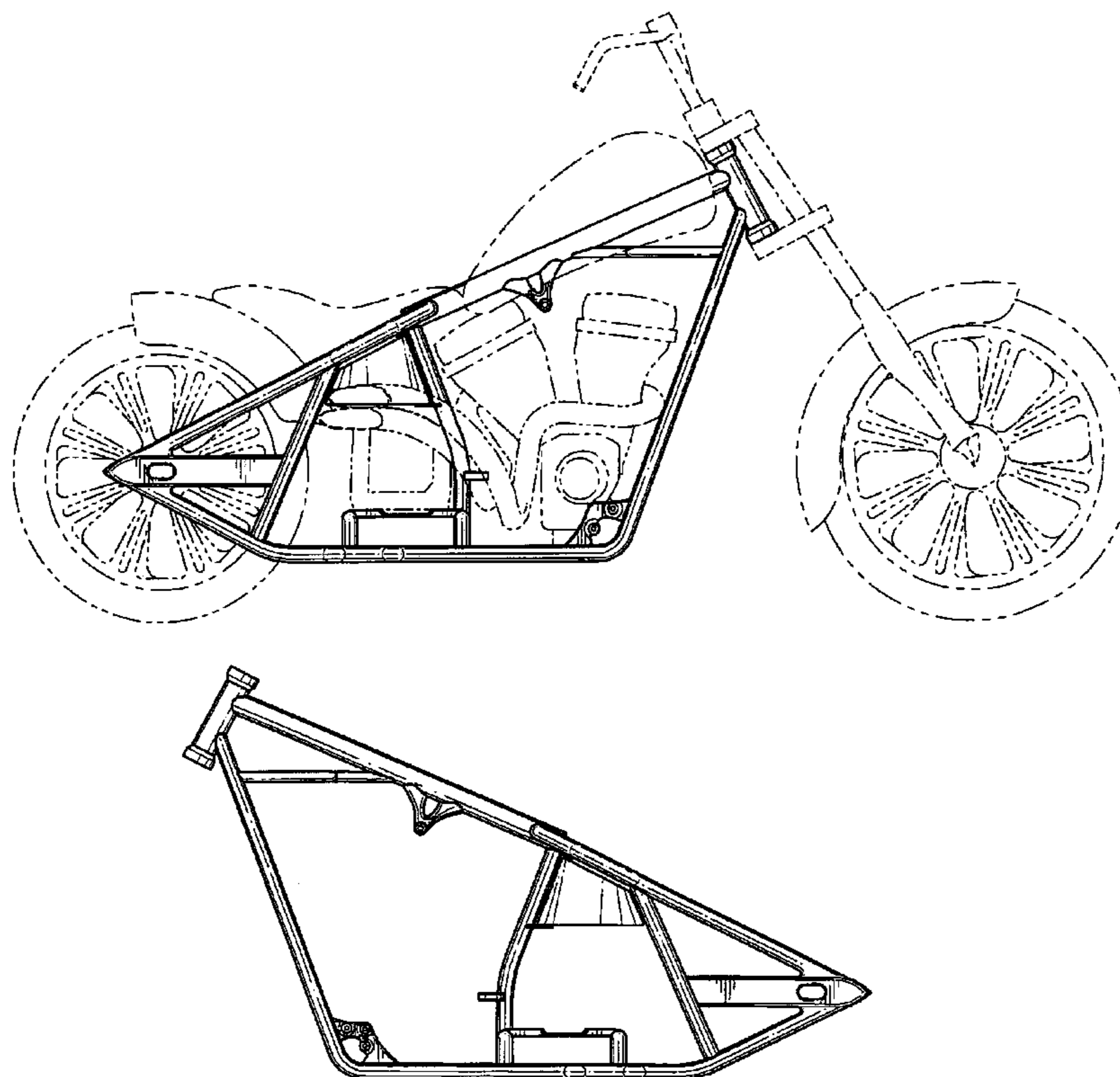
The ornamental design for a motorcycle frame, substantially as shown and described.

**DESCRIPTION**

FIG. 1 is a front elevational view;  
FIG. 2 is a front elevational view;  
FIG. 3 is a rear elevational view;  
FIG. 4 is a top plan view;  
FIG. 5 is a bottom plan view;  
FIG. 6 is a right side elevational view; and,  
FIG. 7 is a left side elevational view of my motorcycle frame.

The dotted lines showing a motorcycle in FIG. 1 are environmental only and form no part of the claimed design.

**1 Claim, 3 Drawing Sheets**



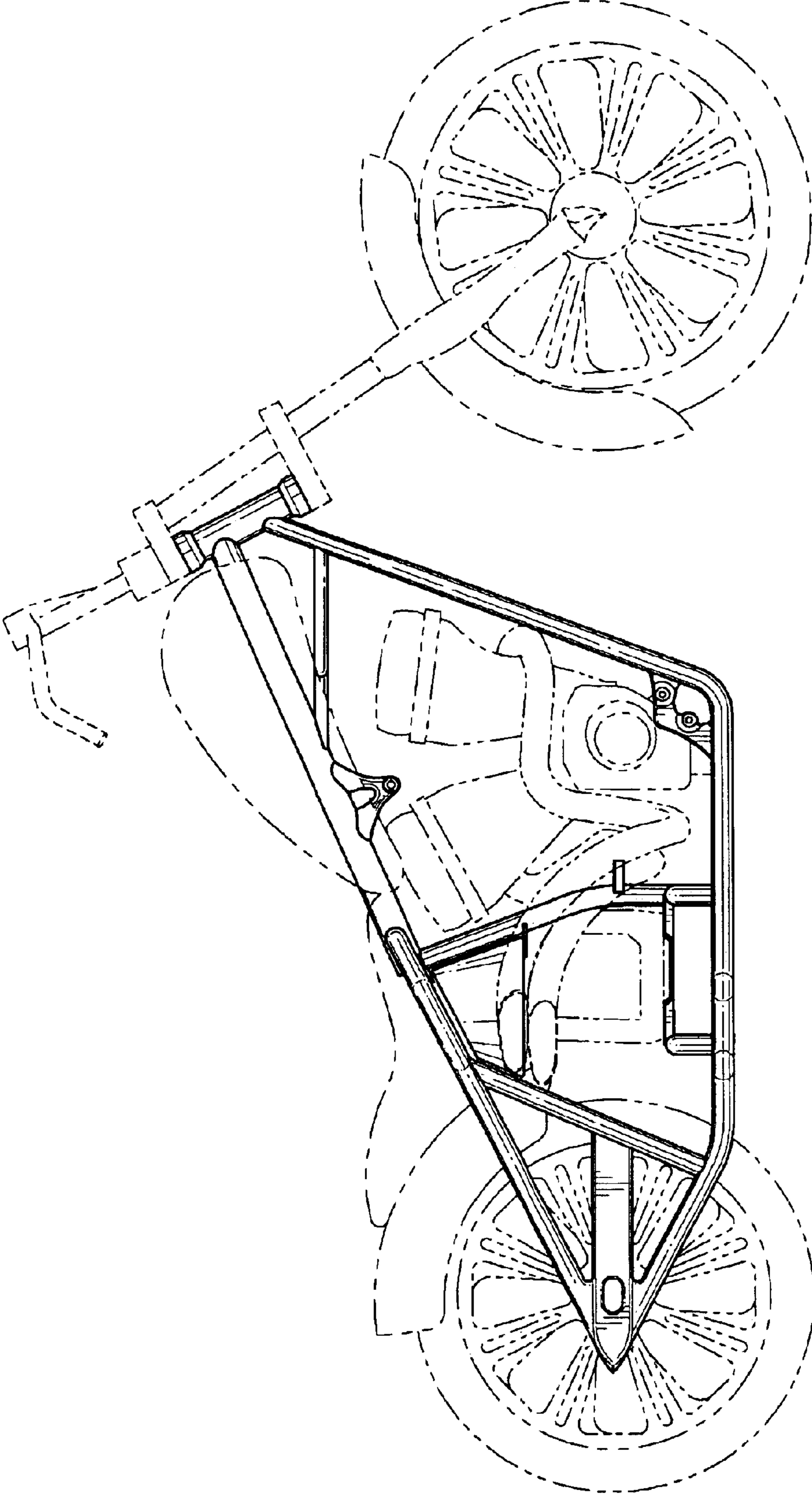


FIG. 1

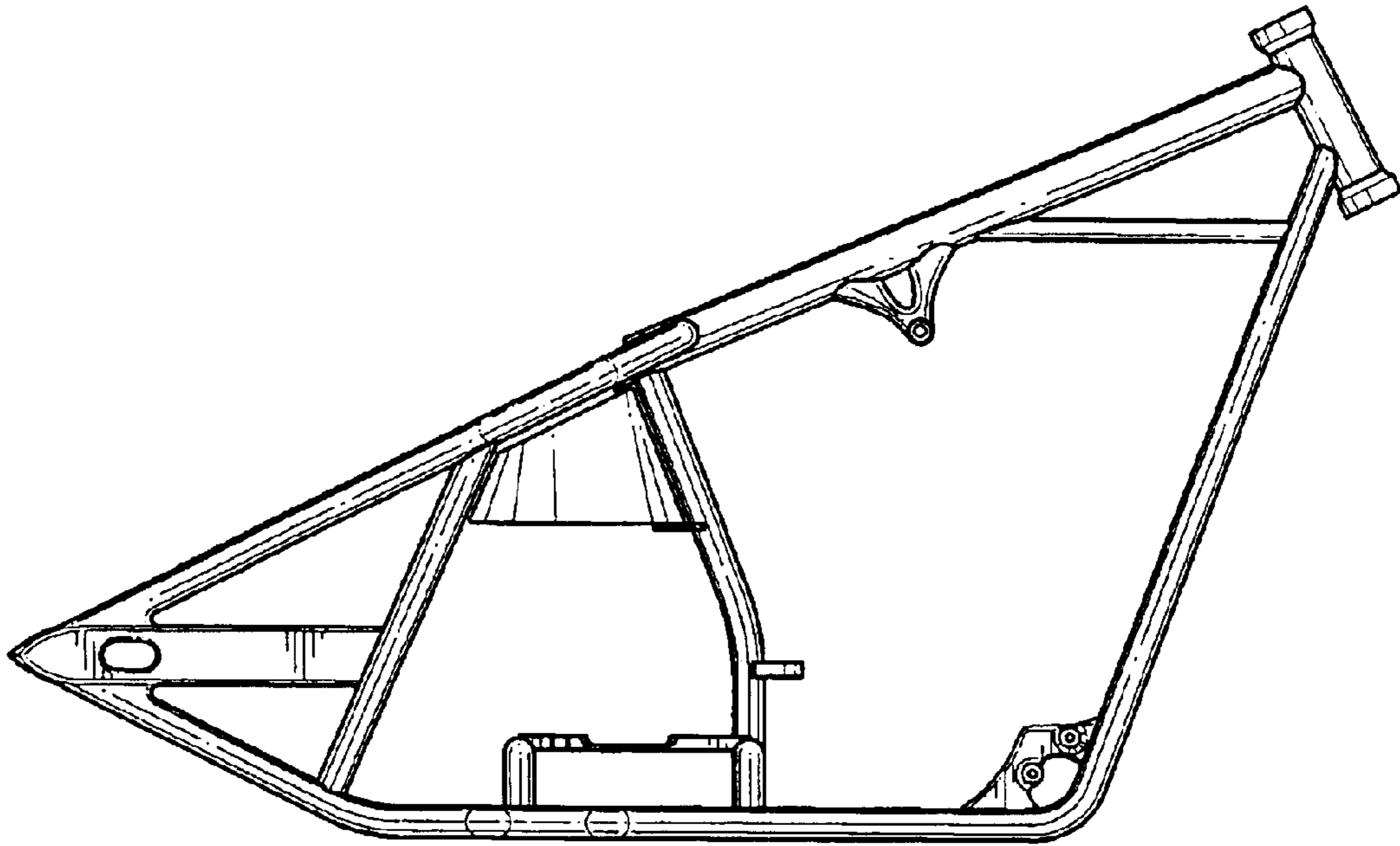


FIG. 2

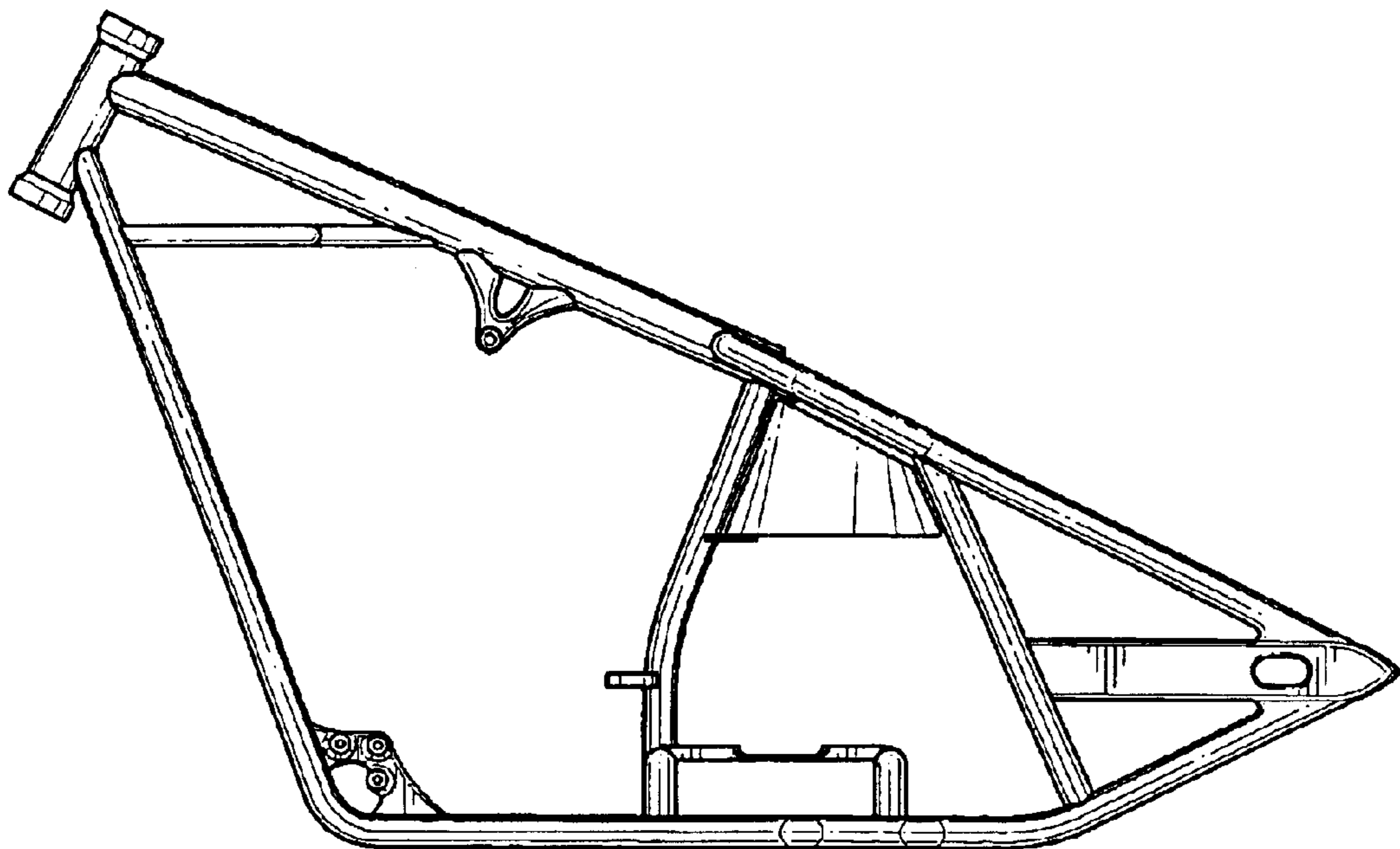


FIG. 3

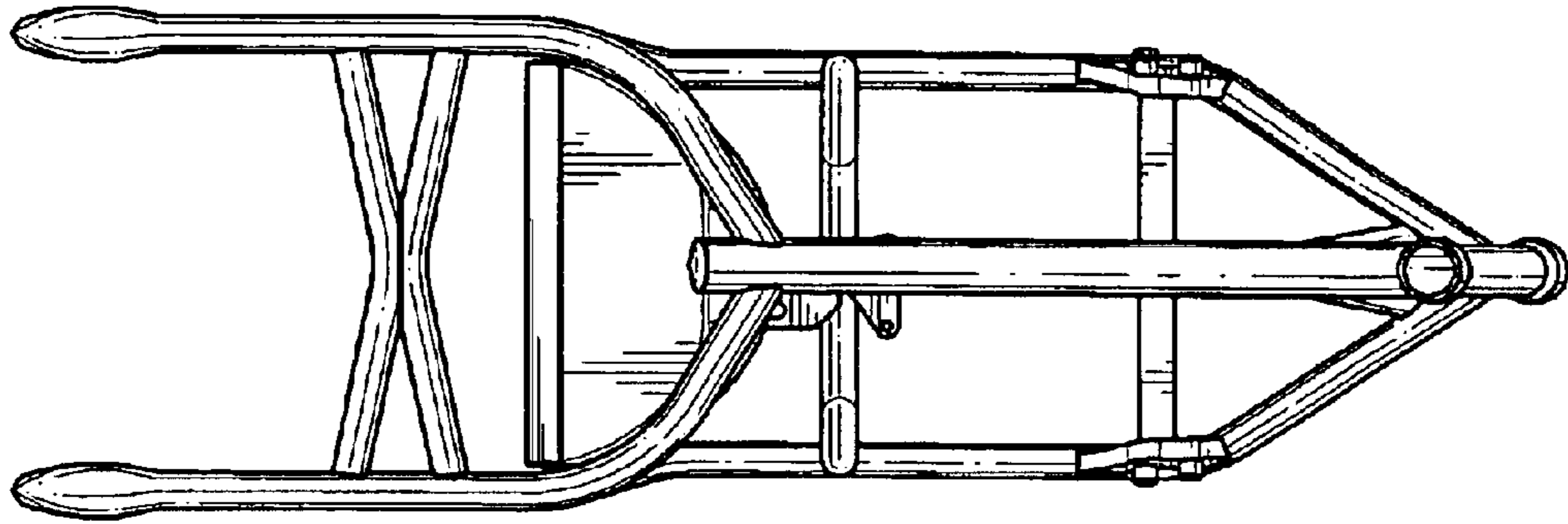


FIG. 4

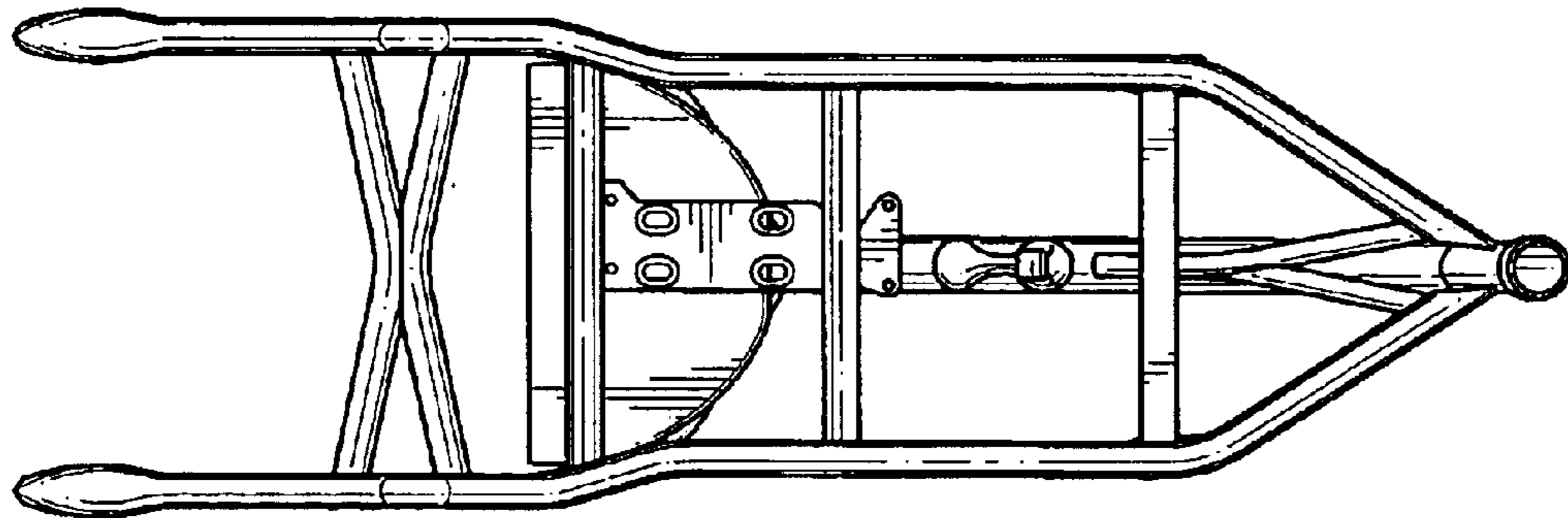


FIG. 5

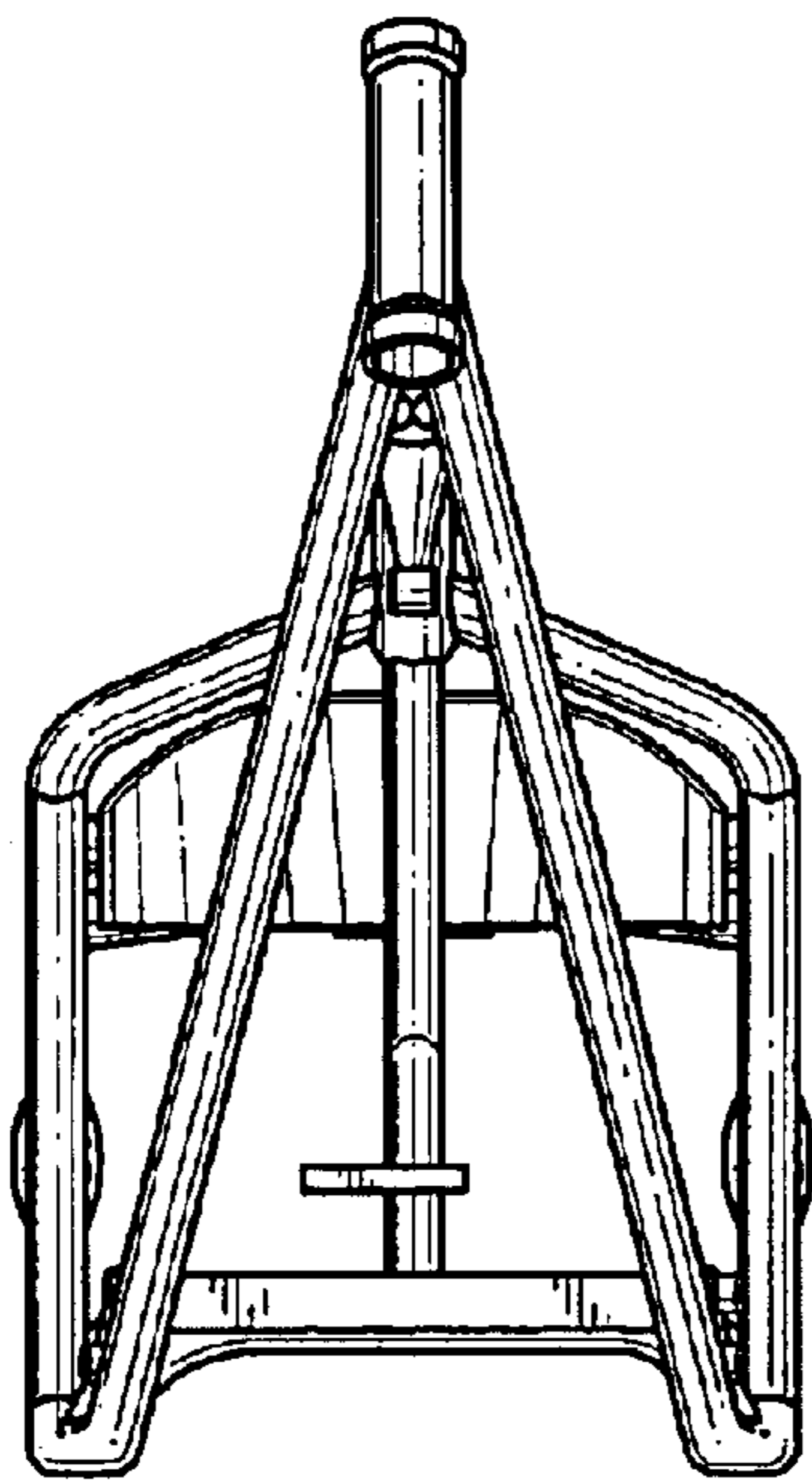


FIG. 6

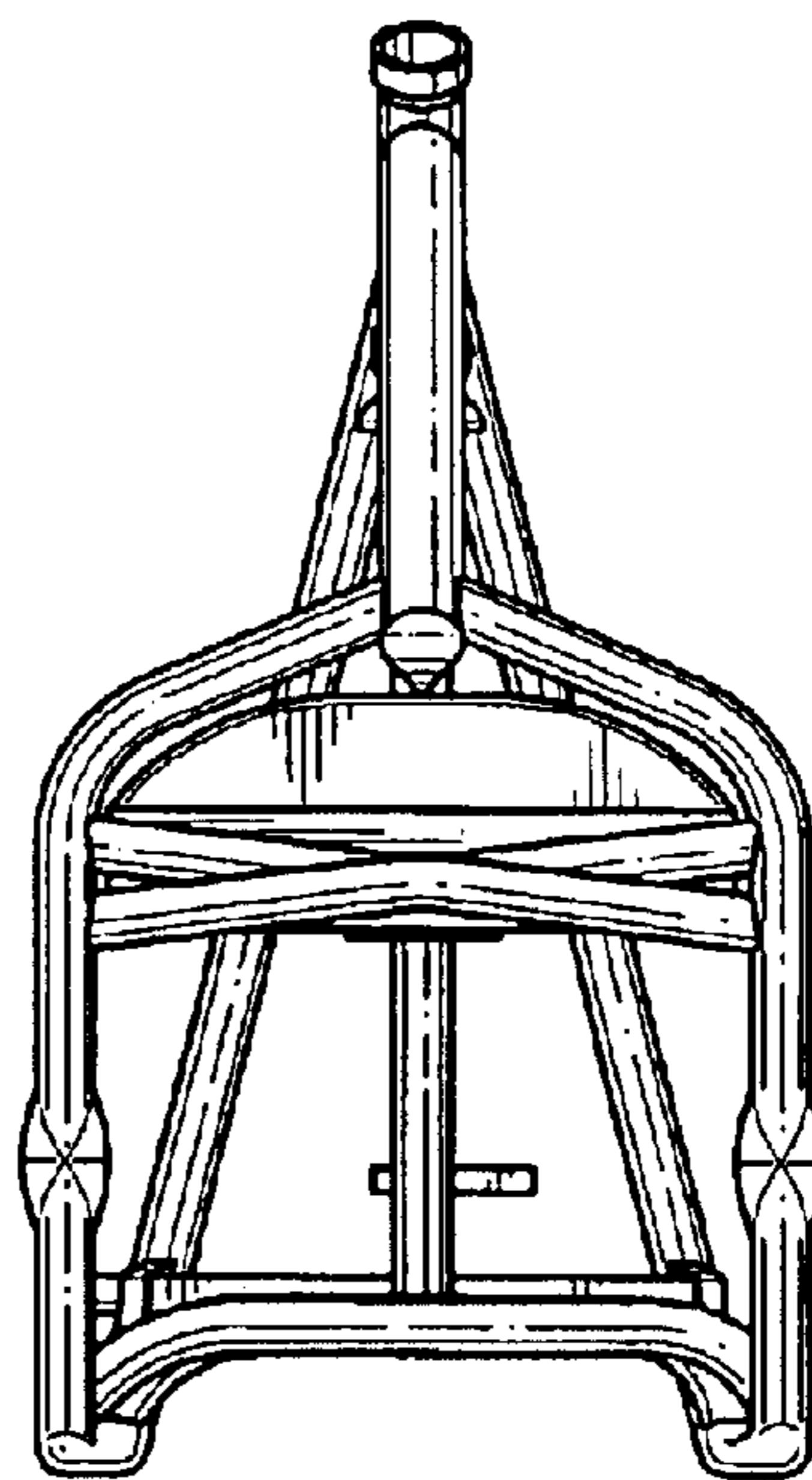


FIG. 7