

US00D498172S

(12) **United States Design Patent**  
**Verni**

(10) **Patent No.:** **US D498,172 S**

(45) **Date of Patent:** **\*\* Nov. 9, 2004**

(54) **TREE STAND WITH LOCKING WHEELS AND WATER LEVEL MARKING**

D373,327 S \* 9/1996 Rush et al. .... D11/130.1  
D418,083 S \* 12/1999 Wilson, Jr. .... D11/130.1  
D443,227 S \* 6/2001 Sofy et al. .... D11/130.1

(76) **Inventor:** **Frank Verni**, 6390 Indiantown Rd.,  
Jupiter, FL (US) 33458

\* cited by examiner

(\*\*) **Term:** **14 Years**

*Primary Examiner*—Dominic Simone

(74) *Attorney, Agent, or Firm*—McHale & Slavin PA

(21) **Appl. No.:** **29/197,044**

(57) **CLAIM**

(22) **Filed:** **Jan. 7, 2004**

The ornamental design for a tree stand with locking wheels and water level marking, as shown and described.

(51) **LOC (7) Cl.** ..... **11-05**

(52) **U.S. Cl.** ..... **D11/130.1**

(58) **Field of Search** ..... D11/130.1; 47/40.5;  
248/523–526

**DESCRIPTION**

FIG. 1 is a front view of the tree stand with locking wheels and water level marking of the instant invention, depicted with a decorated Christmas tree;

FIG. 2 is a front elevation view, all side views forming a mirror image thereof;

FIG. 3 is a top view thereof;

FIG. 4 is a bottom view thereof; and,

FIG. 5 is a perspective view thereof.

(56) **References Cited**

**U.S. PATENT DOCUMENTS**

2,613,899 A \* 10/1952 Wagner et al. .... 47/40.5  
D172,007 S \* 4/1954 Cousland ..... D11/130.1  
D187,542 S \* 3/1960 Cosentino ..... D11/130.1  
D287,476 S \* 12/1986 Craft et al. .... D11/130.1  
D354,930 S \* 1/1995 Rush et al. .... D11/130.1

**1 Claim, 4 Drawing Sheets**

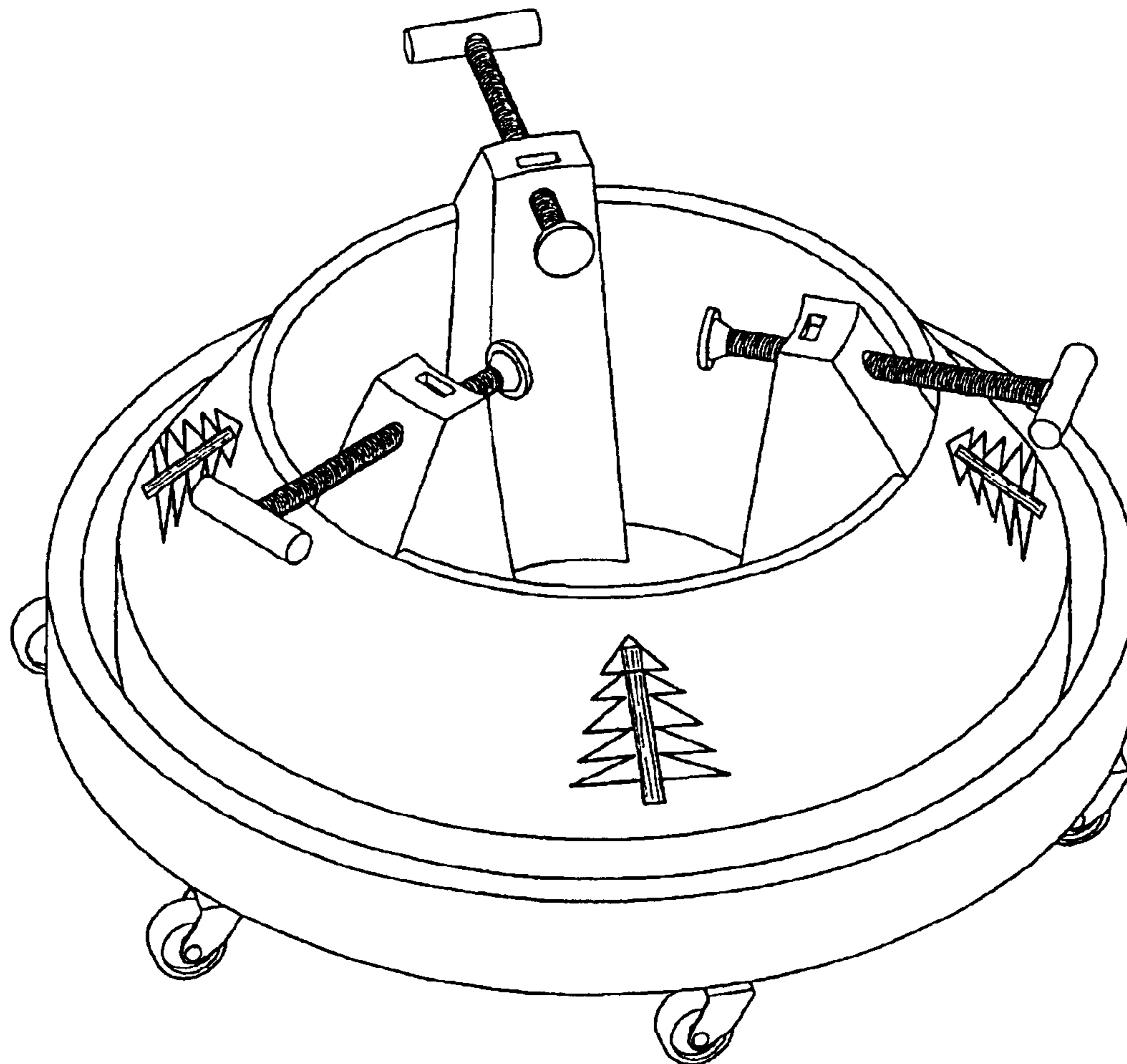
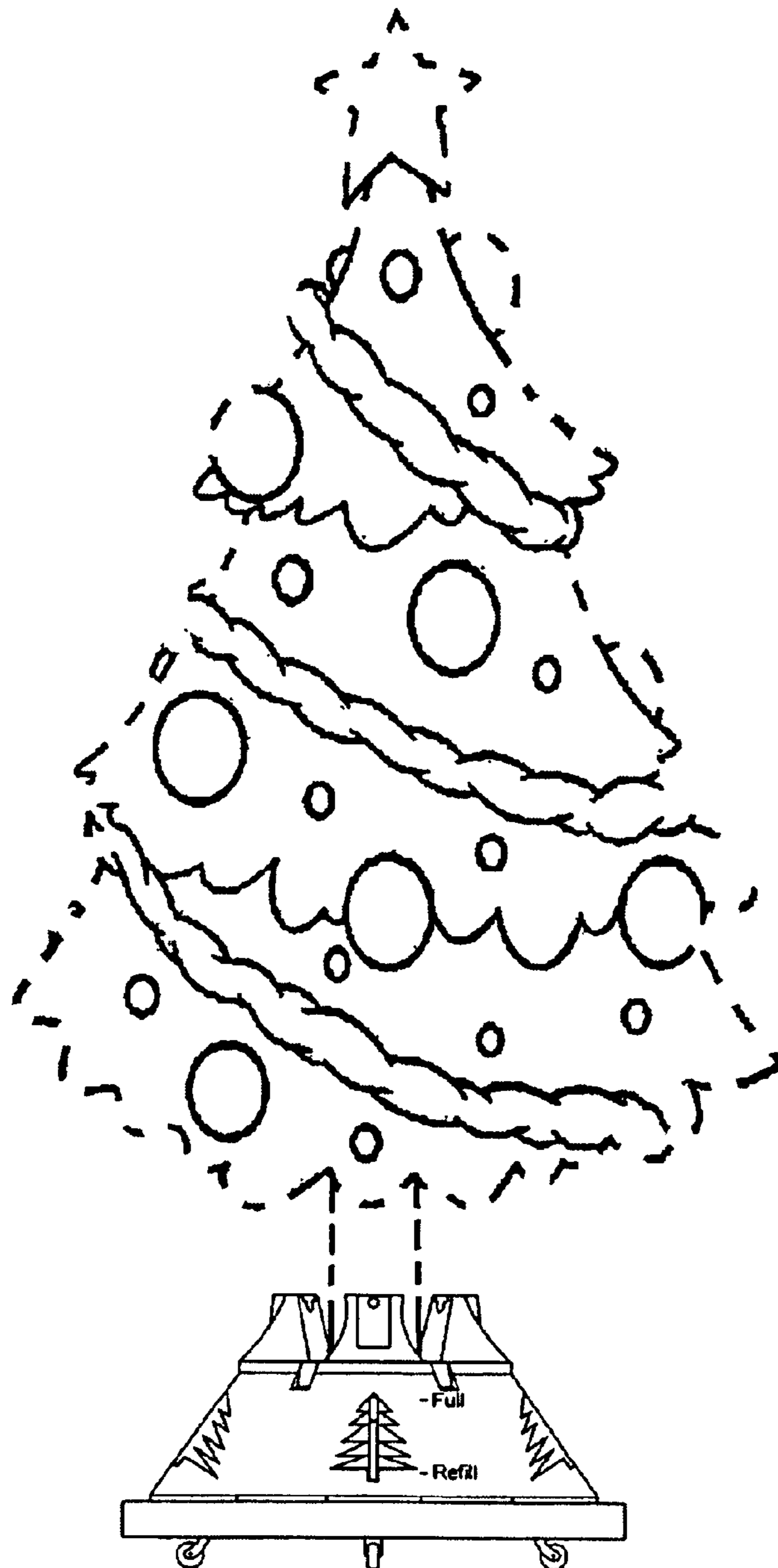


FIG. 1



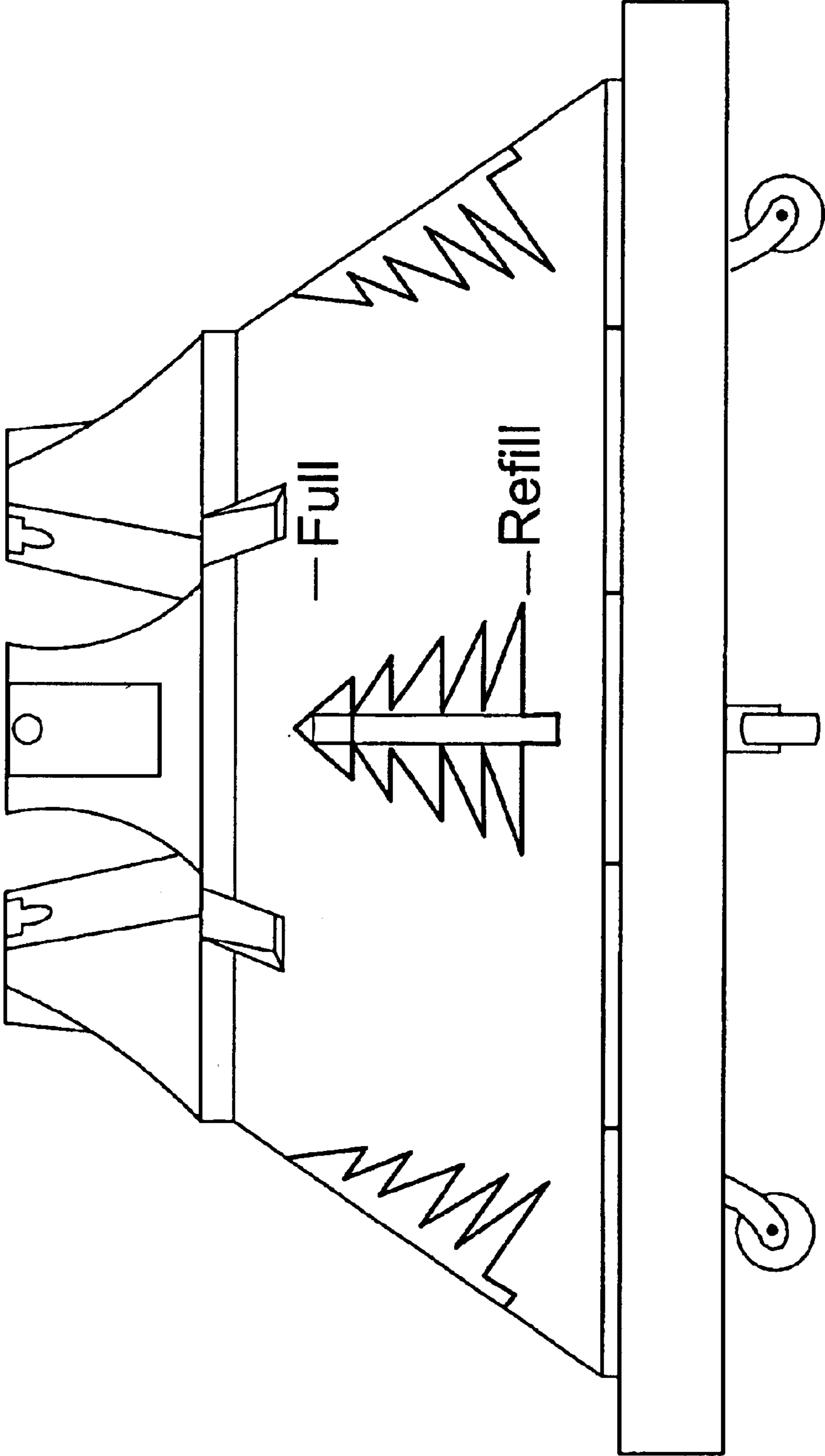


FIG. 2

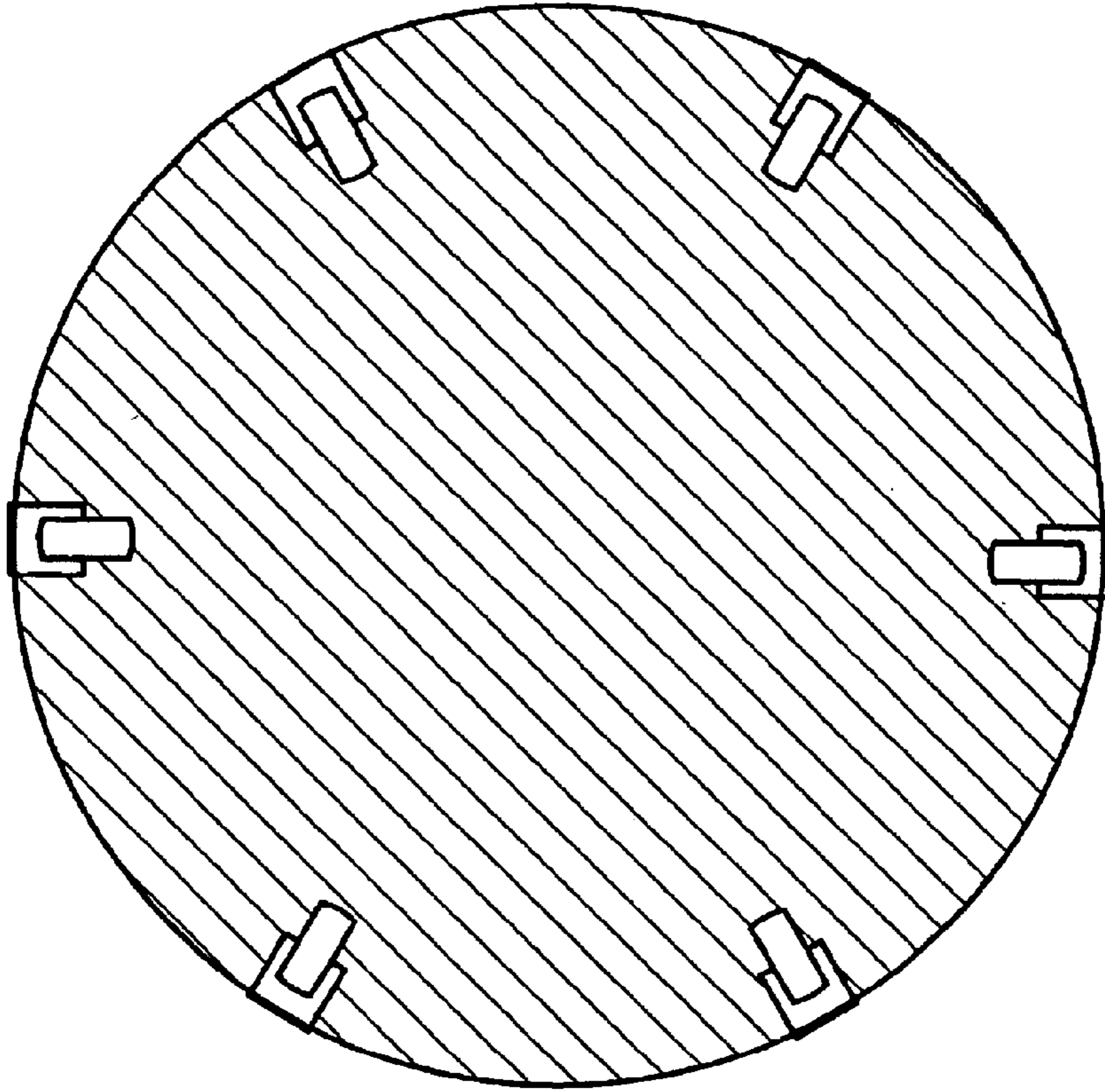


FIG. 4

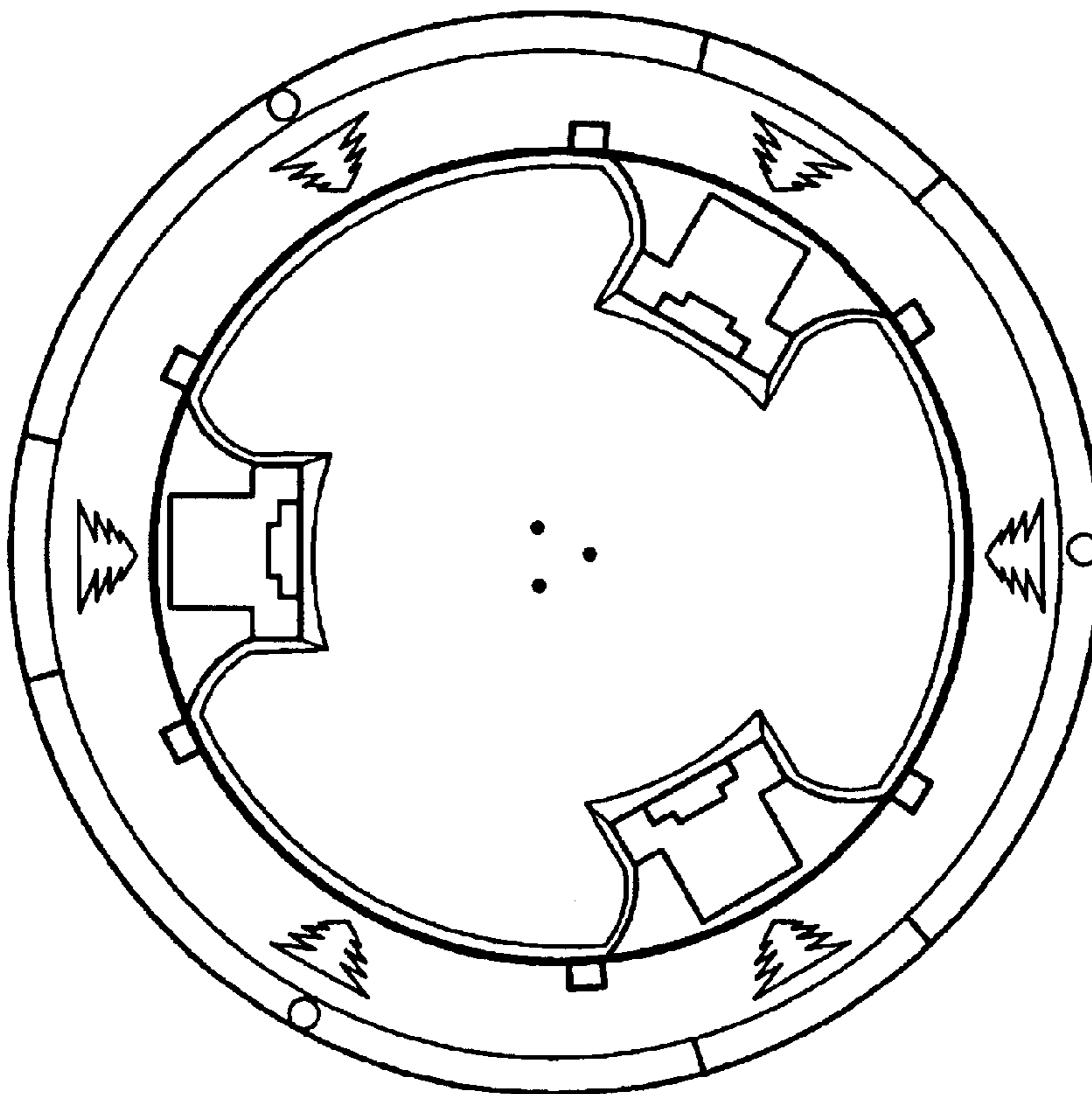


FIG. 3

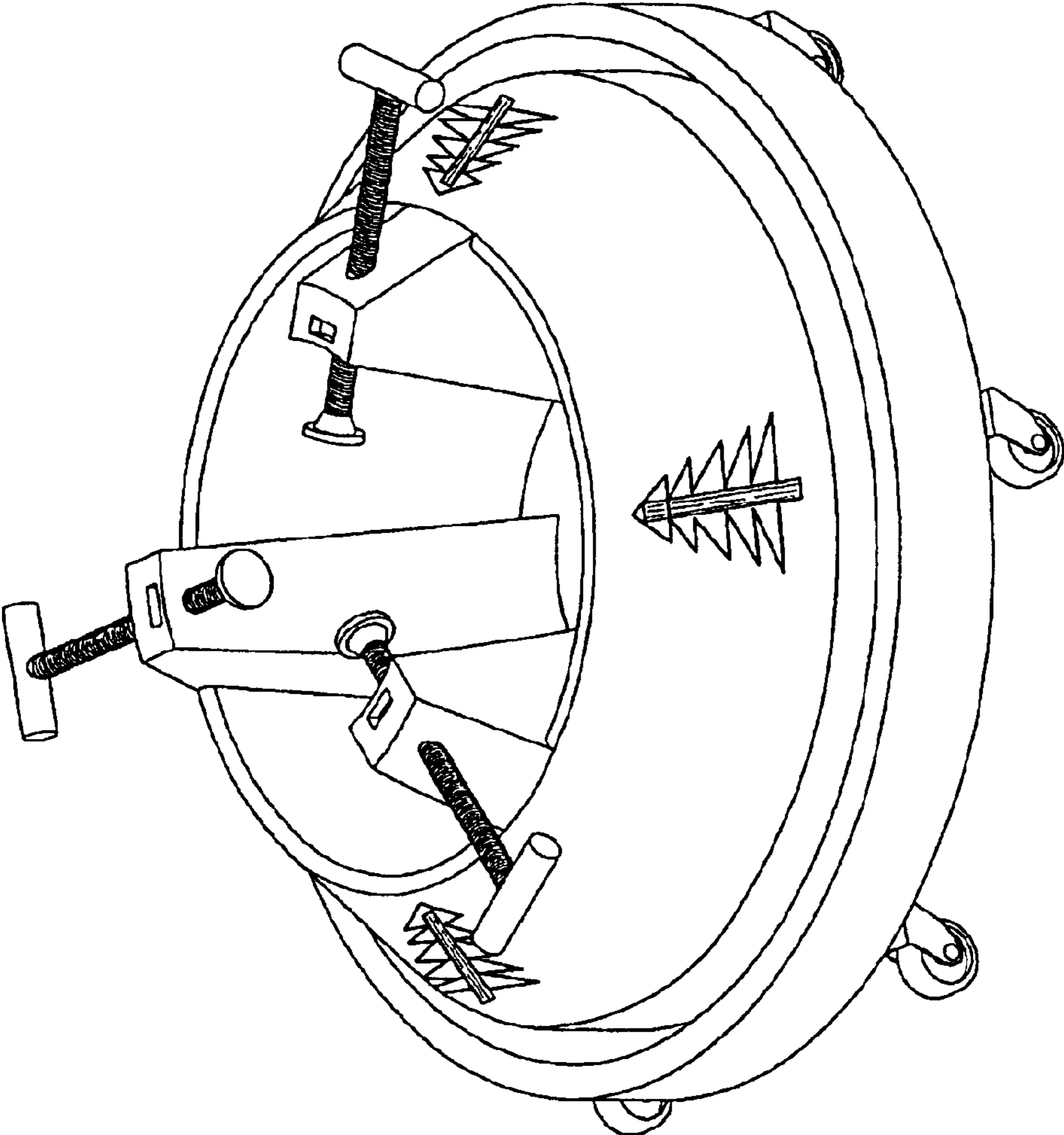


FIG. 5