



US00D498164S

(12) **United States Design Patent**
Delich

(10) **Patent No.:** **US D498,164 S**

(45) **Date of Patent:** **** Nov. 9, 2004**

(54) **ELECTRONIC FLARE**
(75) **Inventor:** **Philip Delich, Jane Brook (AU)**
(73) **Assignee:** **Lumitex Pty Ltd, South Perth (AU)**
(**) **Term:** **14 Years**

5,556,189 A * 9/1996 Wallis 362/153.1
5,785,410 A * 7/1998 Branson, Sr. 362/153.1
6,623,150 B2 * 9/2003 Roller et al. 362/520
6,648,495 B1 * 11/2003 Hsu 362/545
6,752,515 B2 * 6/2004 Evans et al. 362/184

* cited by examiner

Primary Examiner—Nelson C. Holtje
(74) *Attorney, Agent, or Firm*—Dougherty, Clements,
Hofer & Bernard

(21) **Appl. No.:** **29/181,996**
(22) **Filed:** **May 19, 2003**
(51) **LOC (7) Cl.** **10-05**
(52) **U.S. Cl.** **D10/114**
(58) **Field of Search** D10/104, 109,
D10/111, 114; 340/471, 473, 331, 815;
315/174; 362/153.1, 157

(57) **CLAIM**

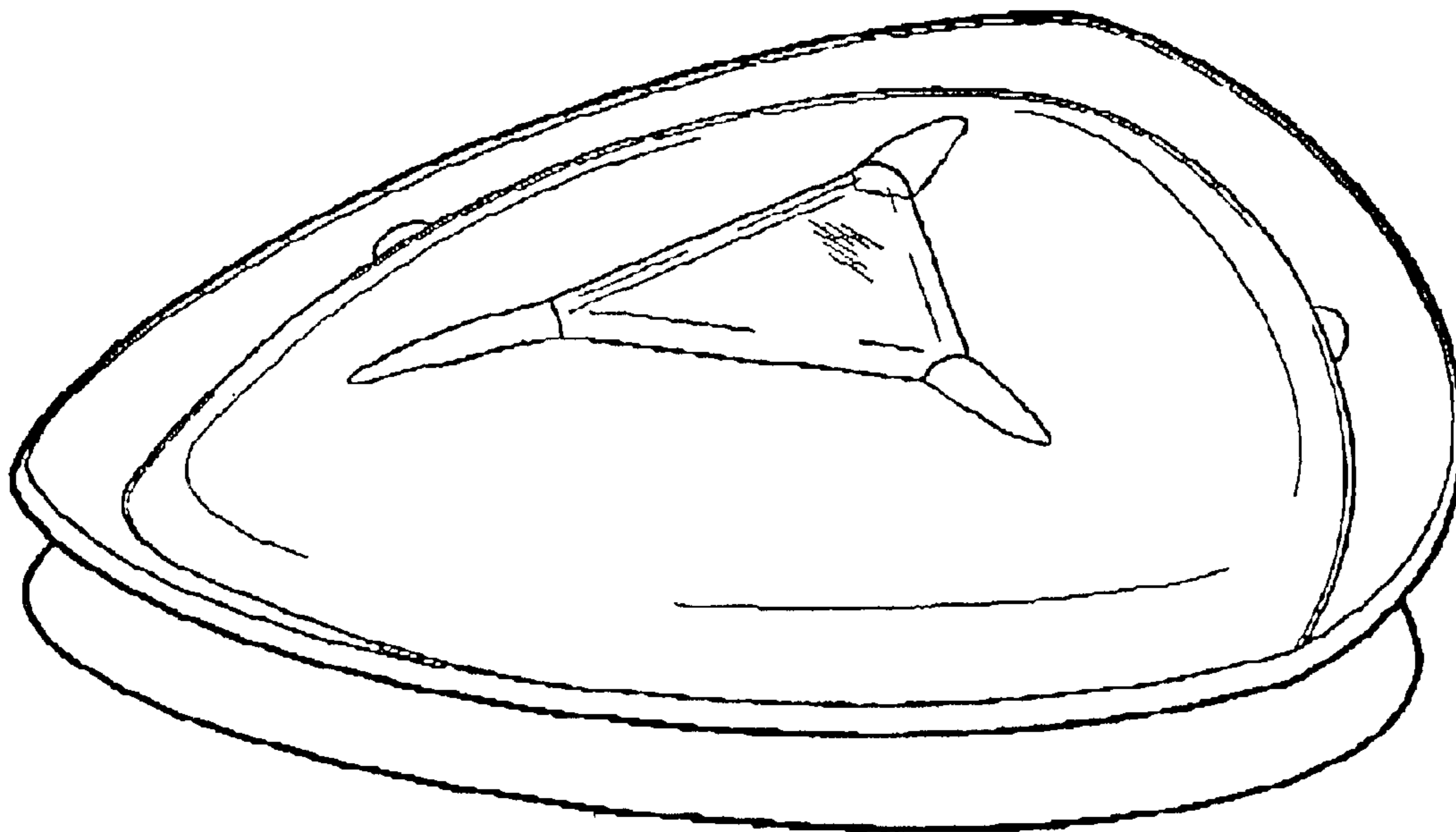
The ornamental design for an electronic flare, or the like, as shown and described.

DESCRIPTION

FIG. 1 is top plan view of an electronic flare showing the new design;
FIG. 2 is a bottom plan view thereof;
FIG. 3 is a front elevational view thereof;
FIG. 4 is a rear elevational view thereof;
FIG. 5 is a perspective view of the top thereof; and,
FIG. 6 is a perspective view of the bottom thereof.

(56) **References Cited**
U.S. PATENT DOCUMENTS
1,480,037 A * 1/1924 Wyatt 362/153.1
1,518,678 A * 12/1924 Sovereign 362/153.1
2,987,702 A * 6/1961 Yohe 340/473
4,759,735 A * 7/1988 Pagnol et al. 441/16
5,175,528 A * 12/1992 Choi et al. 340/331

1 Claim, 6 Drawing Sheets



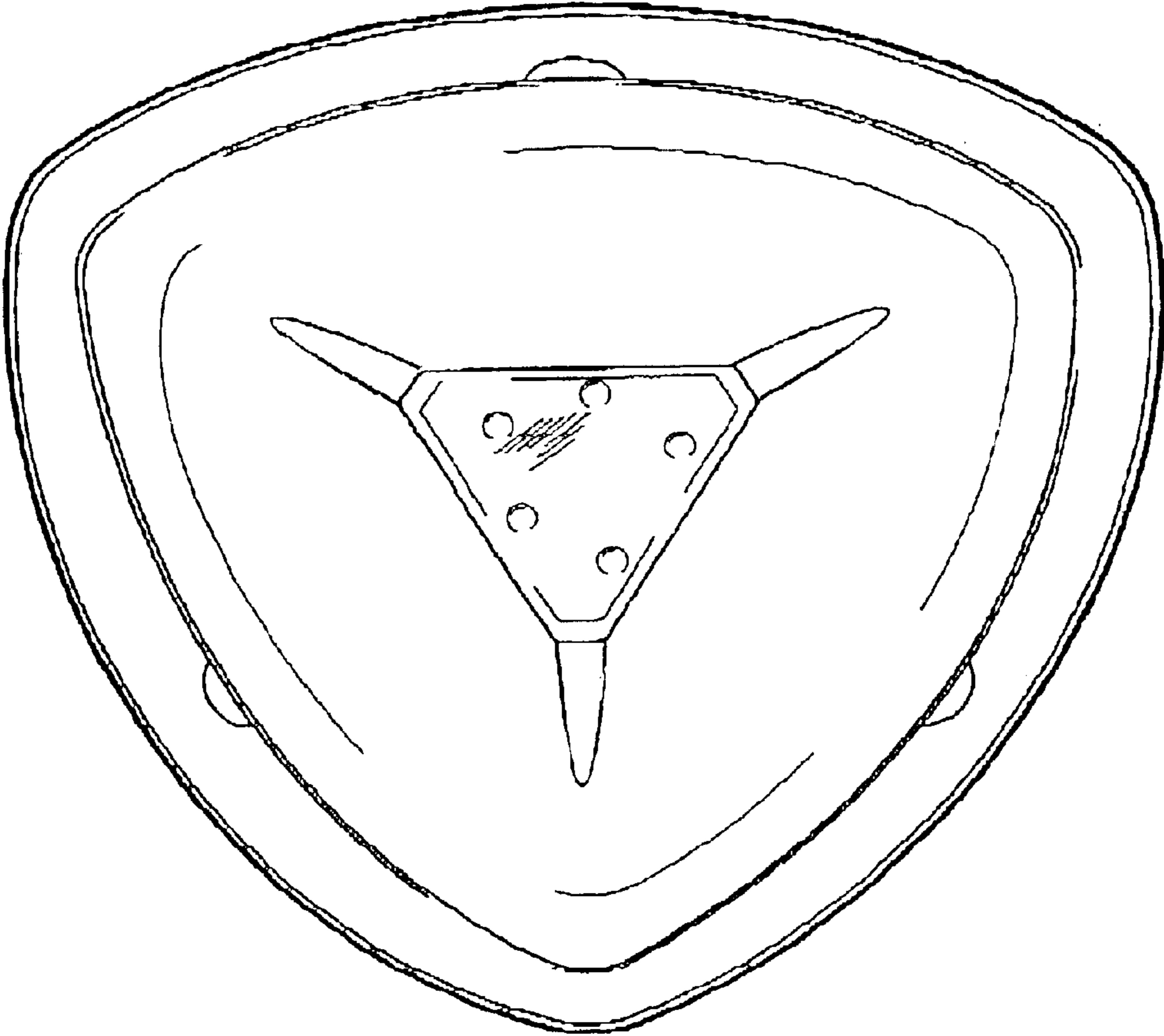


Fig. 1.

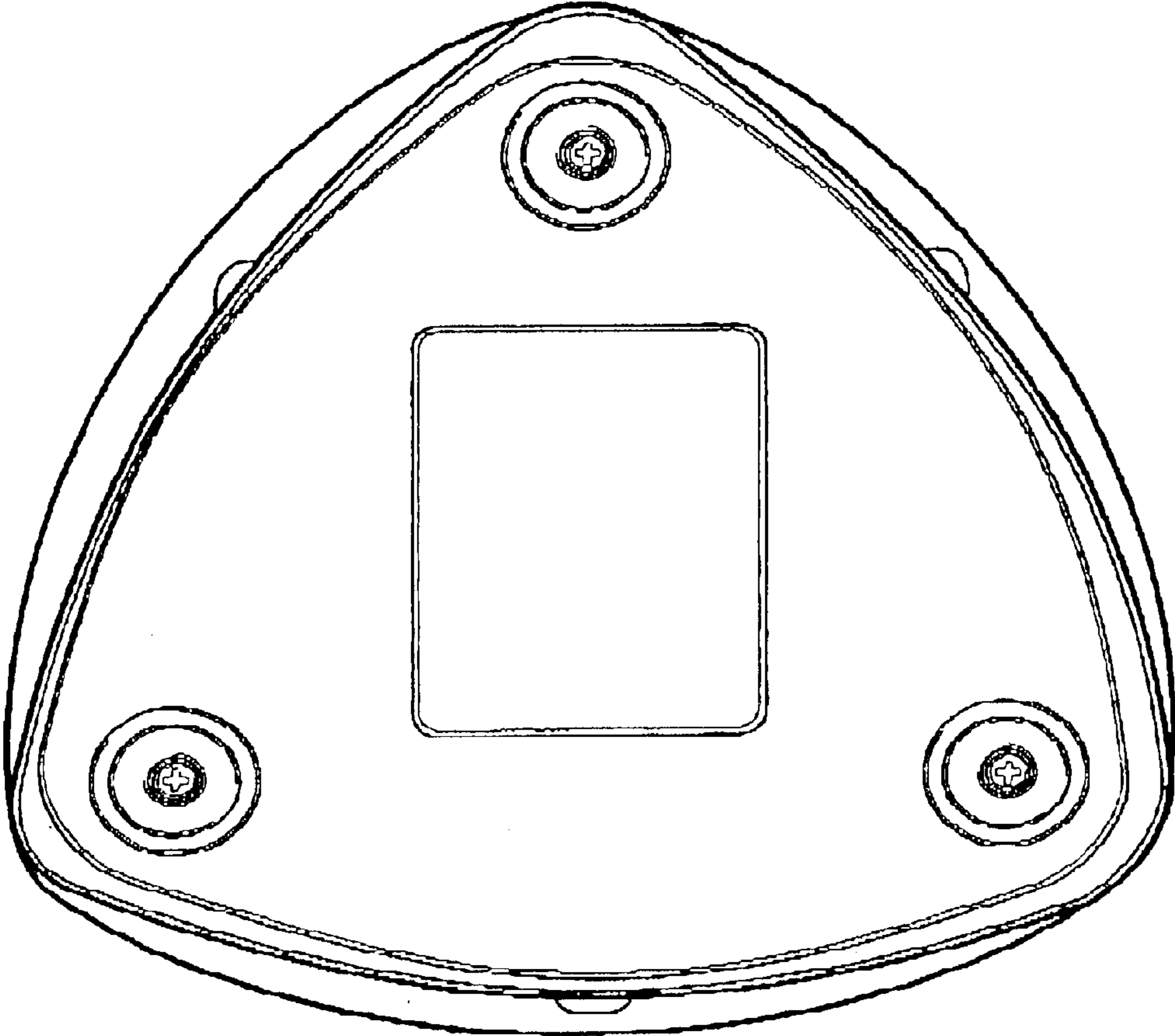


Fig. 2.

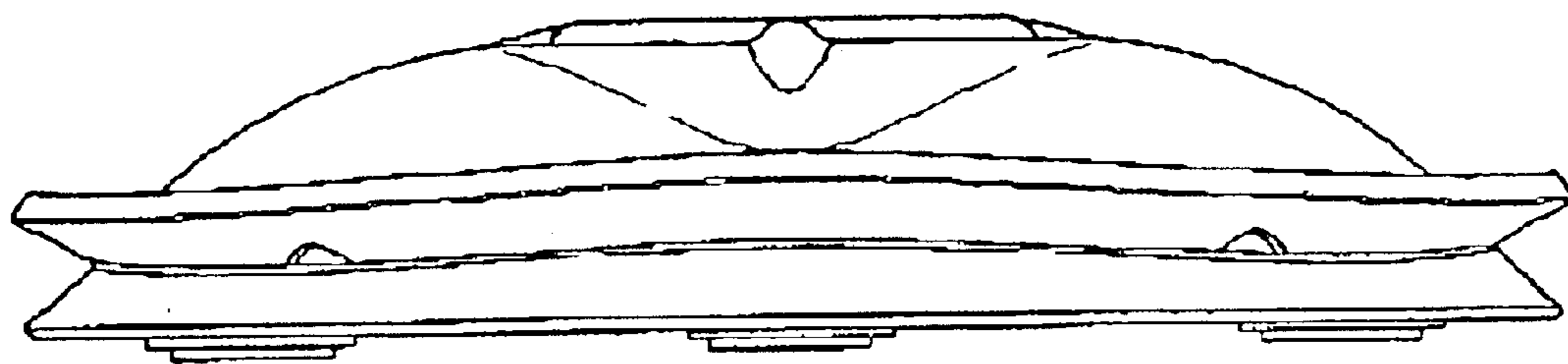


Fig. 3.

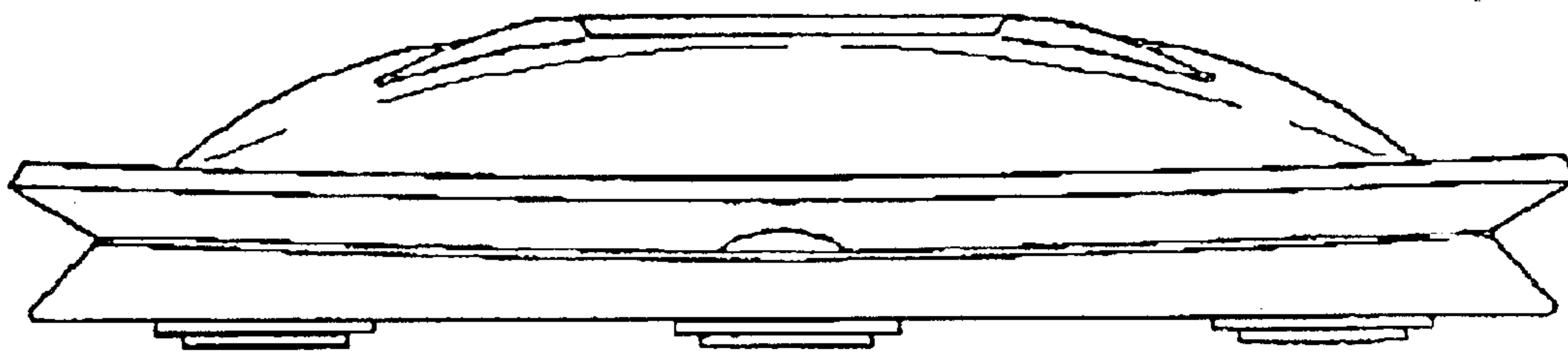


Fig. 4,

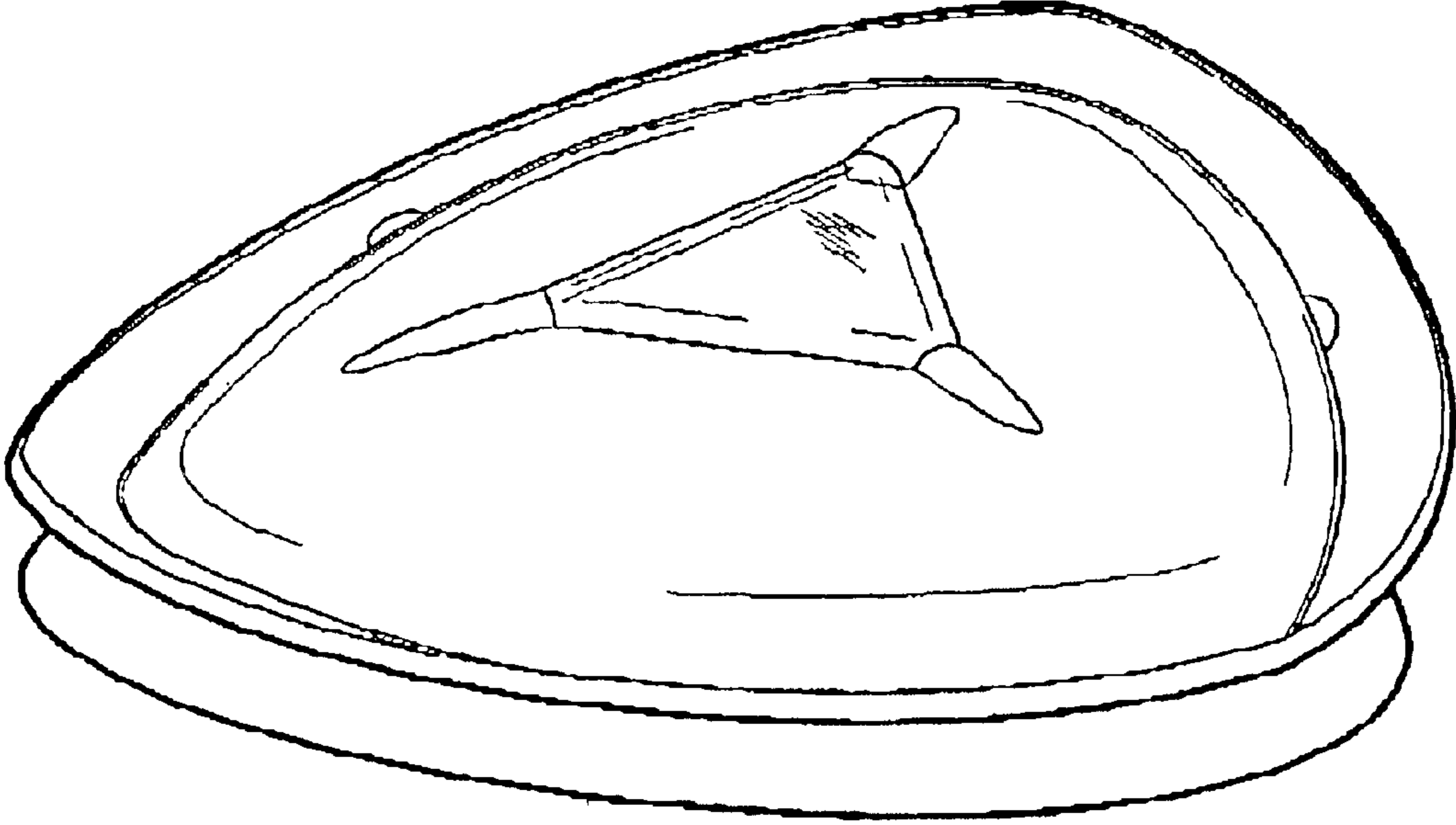


FIG. 5.

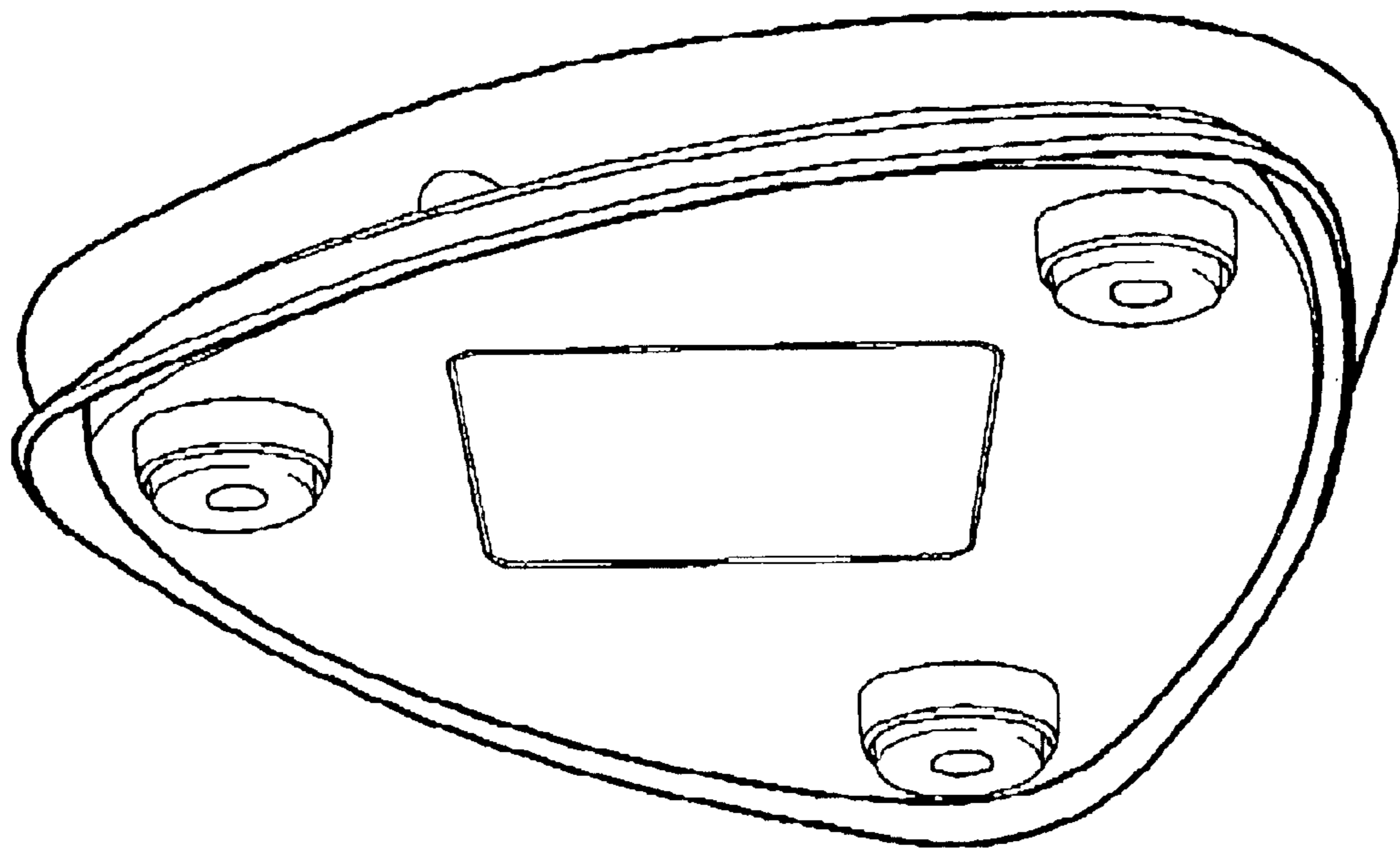


Fig. 6.