

US00D498157S

(12) **United States Design Patent**  
**Kobayakawa**

(10) **Patent No.:** **US D498,157 S**

(45) **Date of Patent:** **\*\* Nov. 9, 2004**

(54) **SCALE**

(75) **Inventor:** **Tatsutoshi Kobayakawa, Tokyo (JP)**

(73) **Assignee:** **Tanita Corporation, Tokyo (JP)**

(\*\*) **Term:** **14 Years**

(21) **Appl. No.:** **29/196,378**

(22) **Filed:** **Dec. 30, 2003**

(51) **LOC (7) Cl. .... 10-04**

(52) **U.S. Cl. .... D10/92**

(58) **Field of Search ..... D10/92; 177/238-245,  
177/25.13, 25.15**

(56) **References Cited**

**U.S. PATENT DOCUMENTS**

D171,067 S \* 12/1953 Wagner ..... D10/92

D292,497 S \* 10/1987 Strosberg ..... D10/92

D476,249 S \* 6/2003 van de Wiel et al. .... D10/92

\* cited by examiner

*Primary Examiner*—Antoine D. Davis

(74) *Attorney, Agent, or Firm*—McDermott Will & Emery LLP

(57) **CLAIM**

The ornamental design for a scale, as shown and described.

**DESCRIPTION**

FIG. 1 is a front perspective view of the scale showing the new design;

FIG. 2 is a front view of the scale;

FIG. 3 is a rear view of the scale;

FIG. 4 is a side view of the scale;

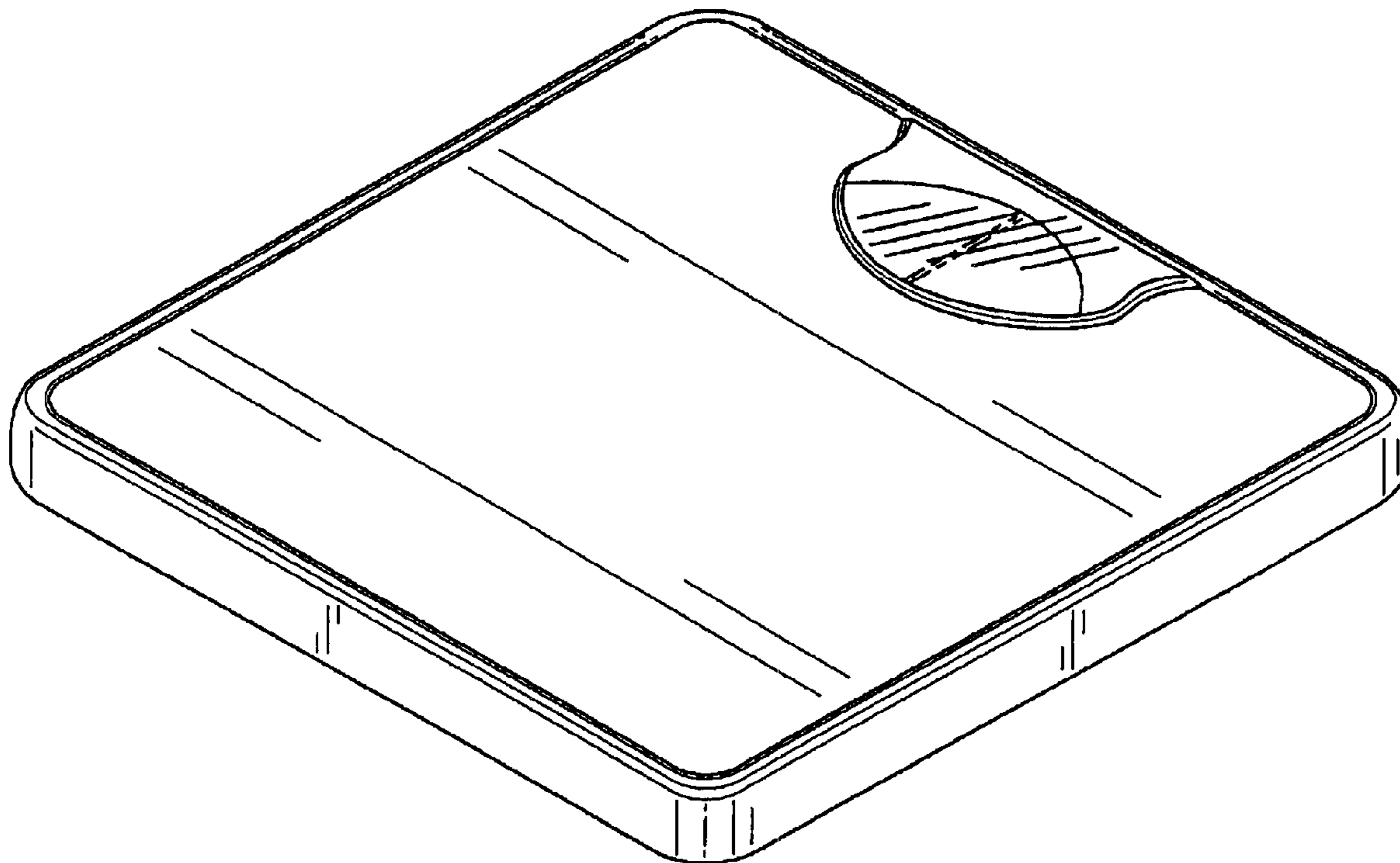
FIG. 5 is another side view of the scale;

FIG. 6 is a top view of the scale; and,

FIG. 7 is a bottom view of the scale.

The broken line showing is for illustrative purposes only and forms no part of the claimed design.

**1 Claim, 7 Drawing Sheets**



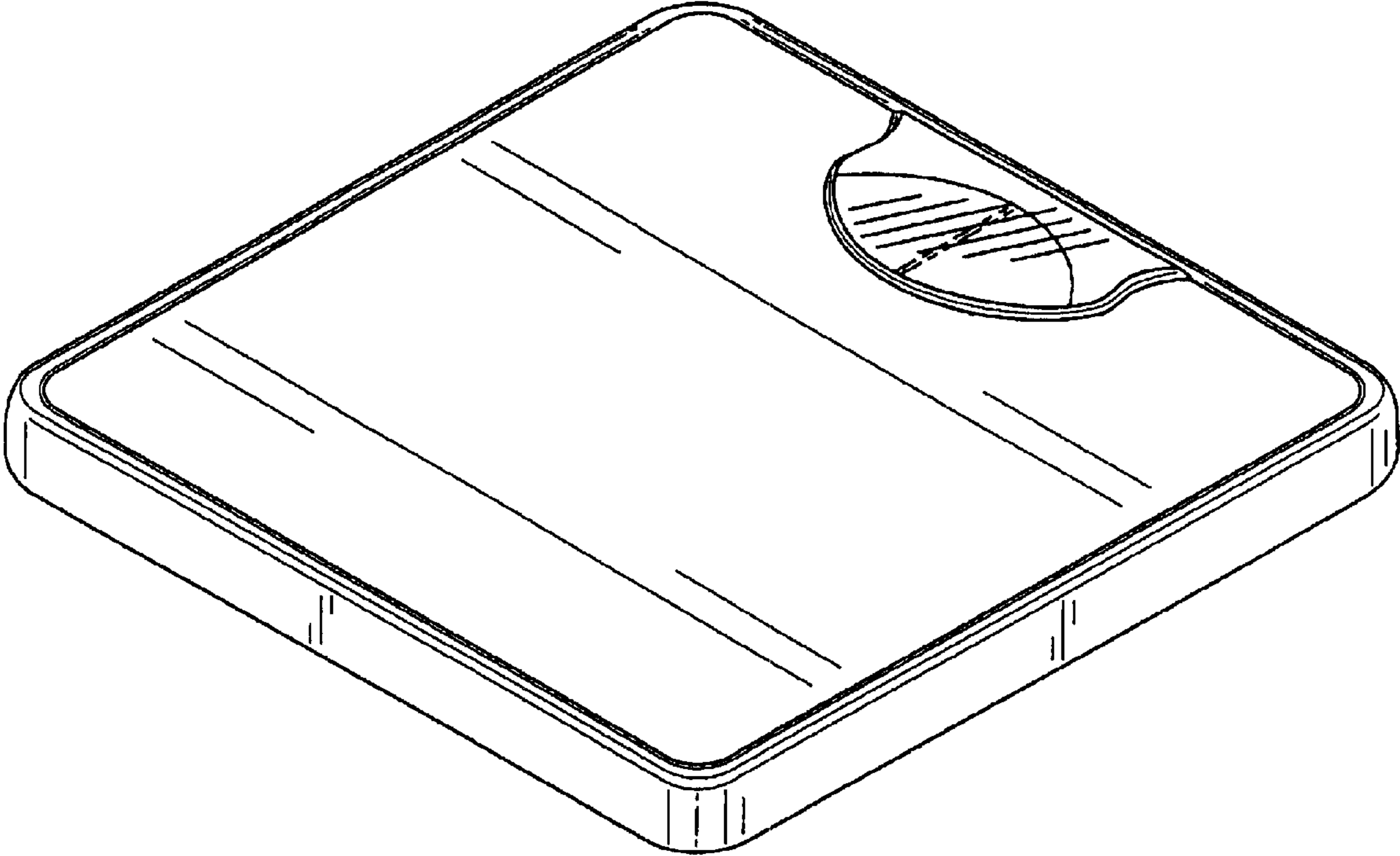


FIG. 1

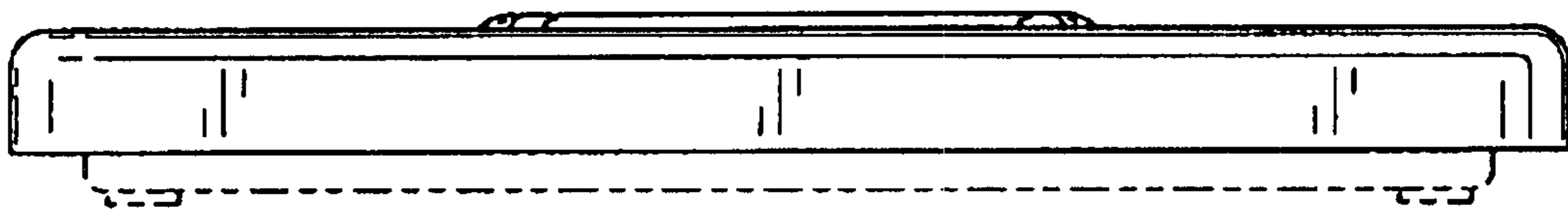


FIG. 2

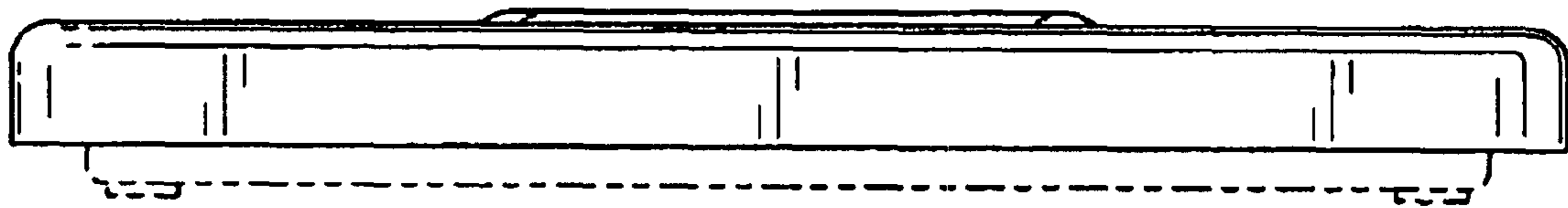


FIG. 3

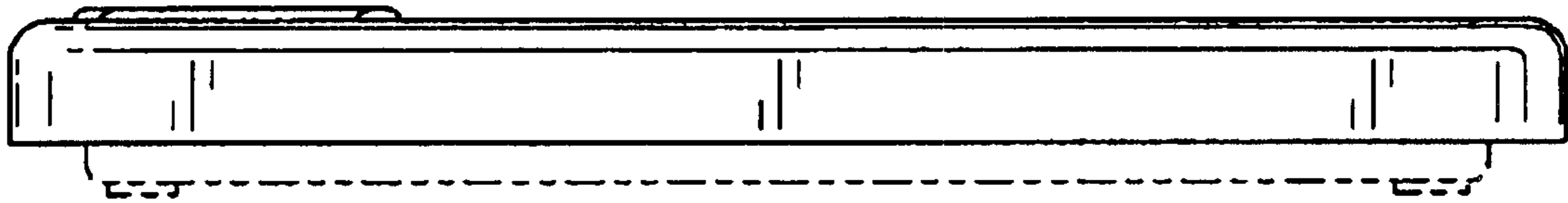


FIG. 4

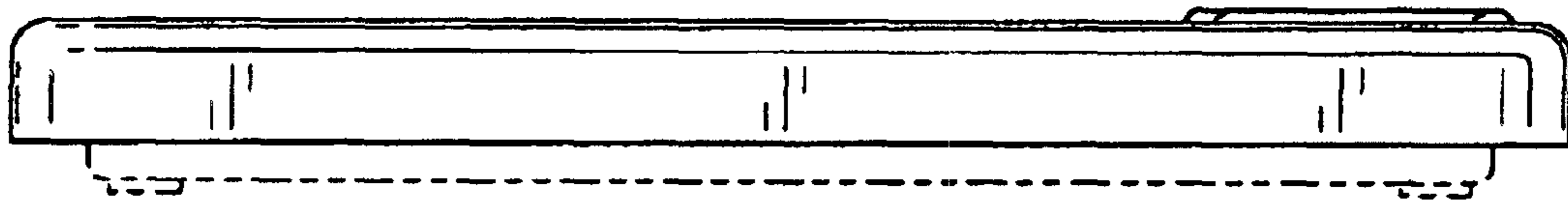


FIG. 5

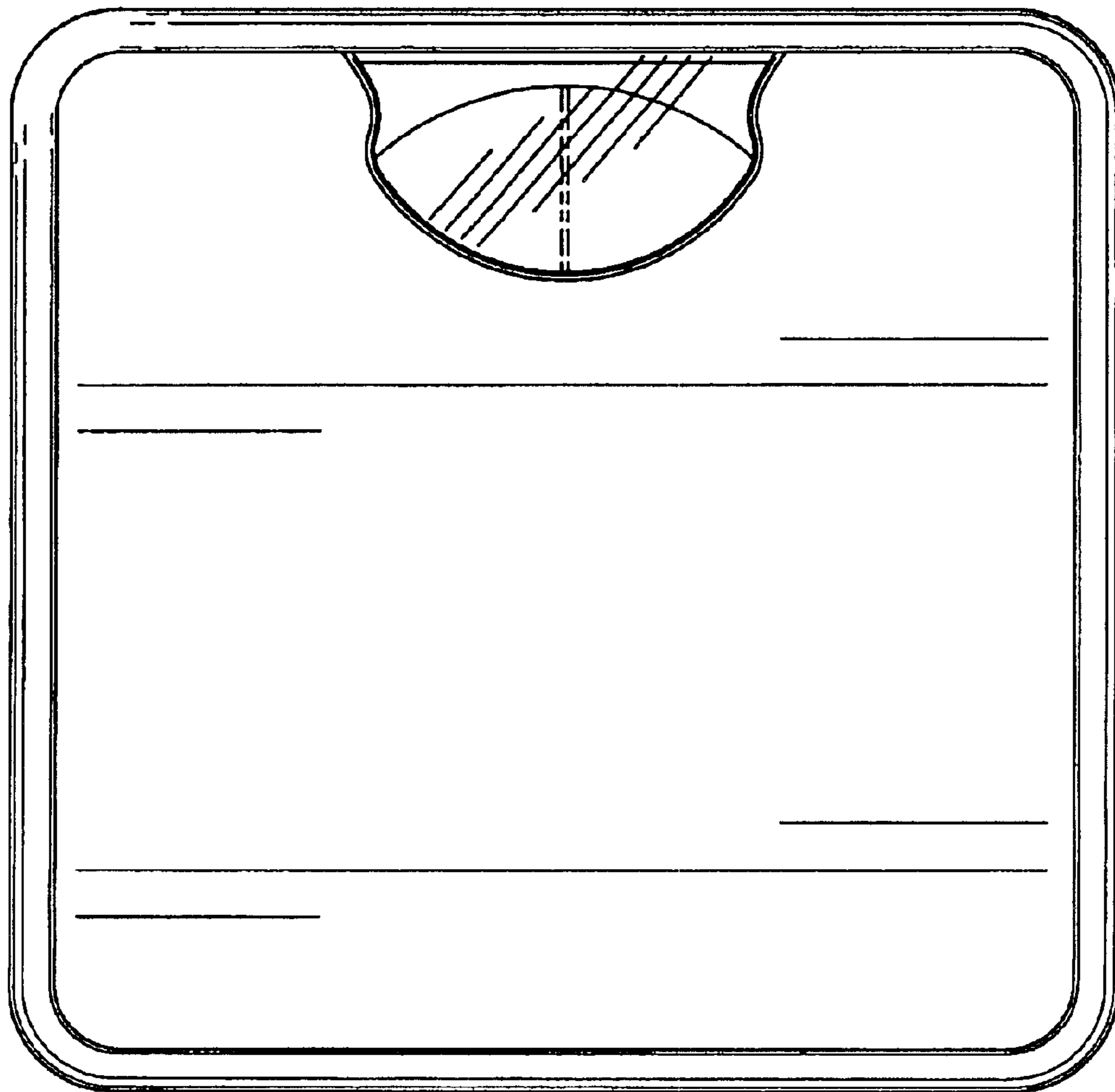


FIG. 6

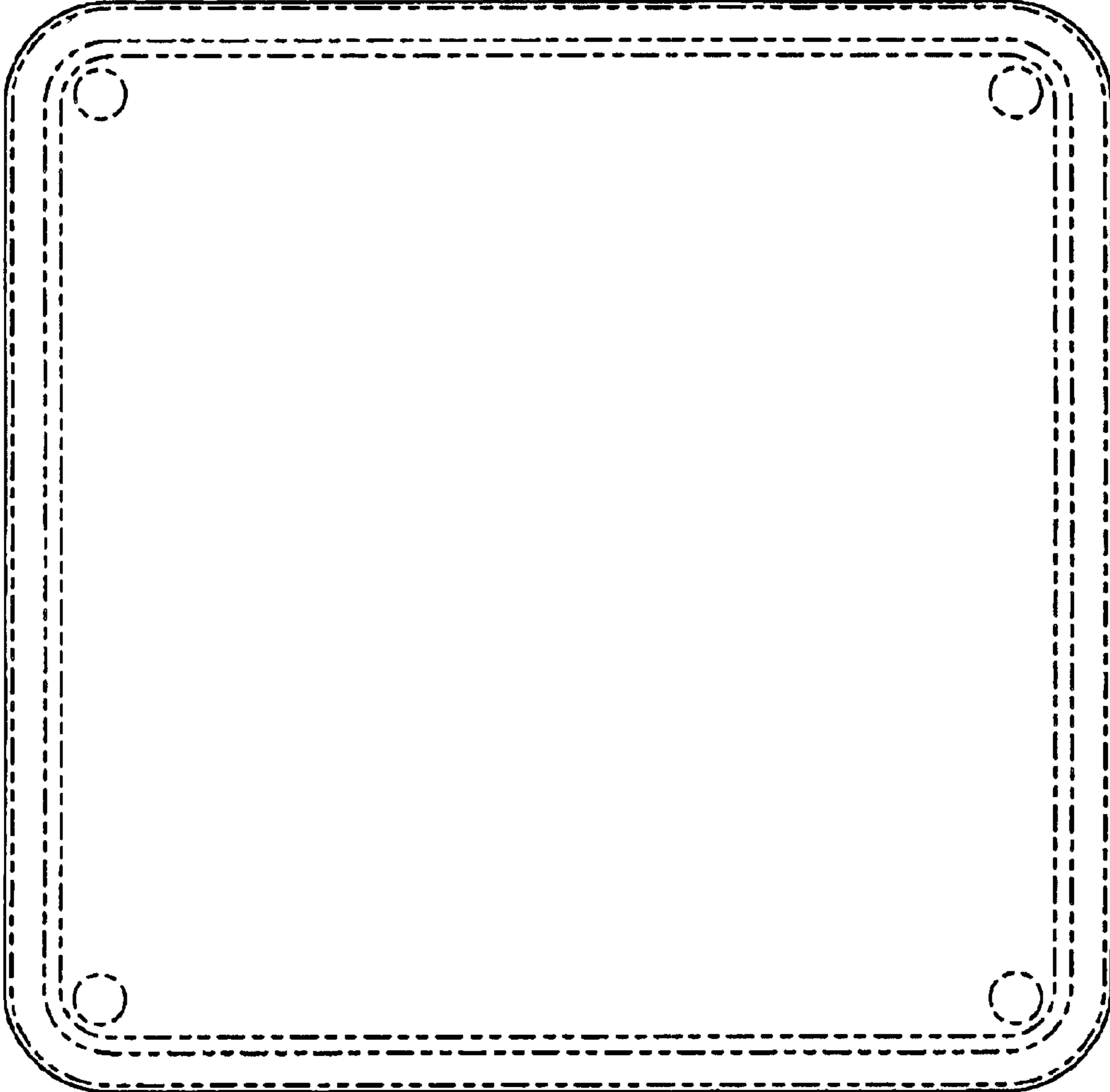


FIG. 7