

US00D498151S

(12) **United States Design Patent**
Cook

(10) **Patent No.:** **US D498,151 S**

(45) **Date of Patent:** **** Nov. 9, 2004**

(54) **STUDFINDER AND LASER LEVEL TOOL**

(57) **CLAIM**

(75) **Inventor:** **Vincent Cook**, Milford, CT (US)

The ornamental design for a studfinder and laser level tool, as shown and described.

(73) **Assignee:** **The Stanley Works**, New Britain, CT (US)

DESCRIPTION

(**) **Term:** **14 Years**

(21) **Appl. No.:** **29/193,513**

(22) **Filed:** **Nov. 12, 2003**

(51) **LOC (7) Cl.** **10-04**

(52) **U.S. Cl.** **D10/62; D10/69; D10/70**

(58) **Field of Search** **D10/62, 69-70; 33/291, 295, DIG. 21; 356/138, 249, 250; 372/9-30**

FIG. 1 is a perspective view of the studfinder and laser line layout tool according to the design, the perspective view looking generally downwardly on a top thereof and at a right side thereof and showing a pivotable light projecting mechanism of the tool pointing toward the right; FIG. 2 is a front view of the design of FIG. 1; FIG. 3 is a back view of the design of FIG. 1; FIG. 4 is a right side view of the design of FIG. 1; FIG. 5 is a left side view of the design of FIG. 1; FIG. 6 is a top view of the design of FIG. 1; FIG. 7 is a bottom view of the design of FIG. 1; and, FIG. 8 is a perspective view of the studfinder and laser line layout tool similar to the view of FIG. 1 except showing the pivotable light projecting mechanism of the tool pointing upwardly toward the top of the tool.

The views depicted in the drawings and described above show the light projecting mechanism in various positions to more fully appreciate the various aspects of the design.

(56) **References Cited**

U.S. PATENT DOCUMENTS

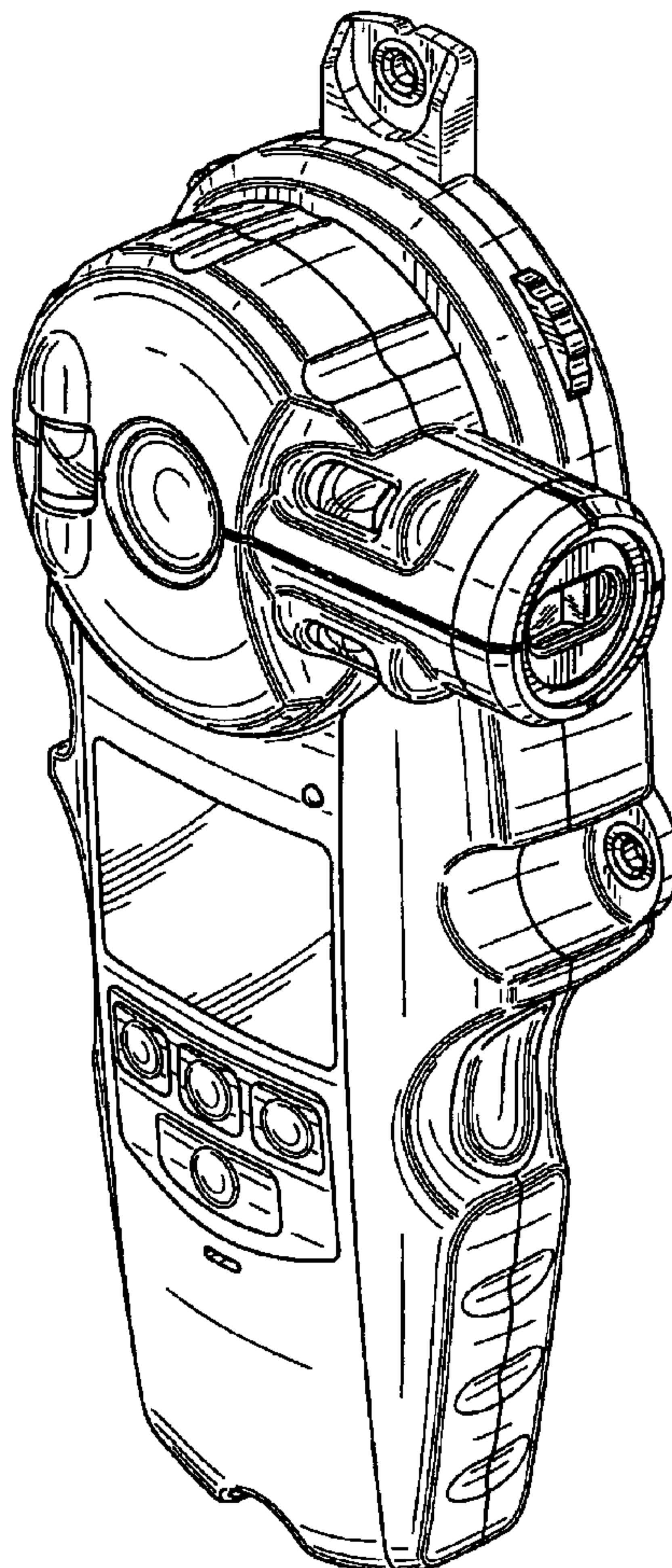
D474,985 S * 5/2003 Cooper et al. D10/69

* cited by examiner

Primary Examiner—Antoine D. Davis

(74) *Attorney, Agent, or Firm*—Pillsbury Winthrop LLP

1 Claim, 6 Drawing Sheets



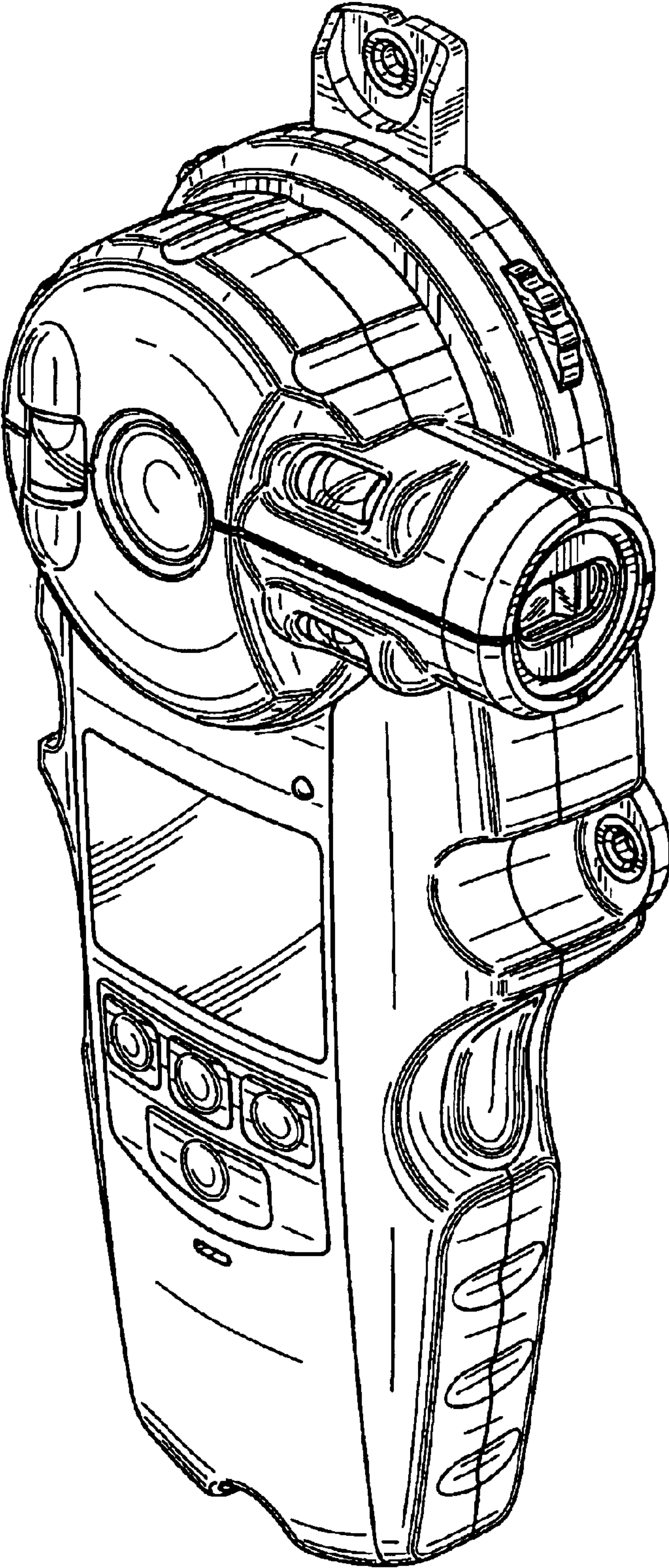


FIG. 1

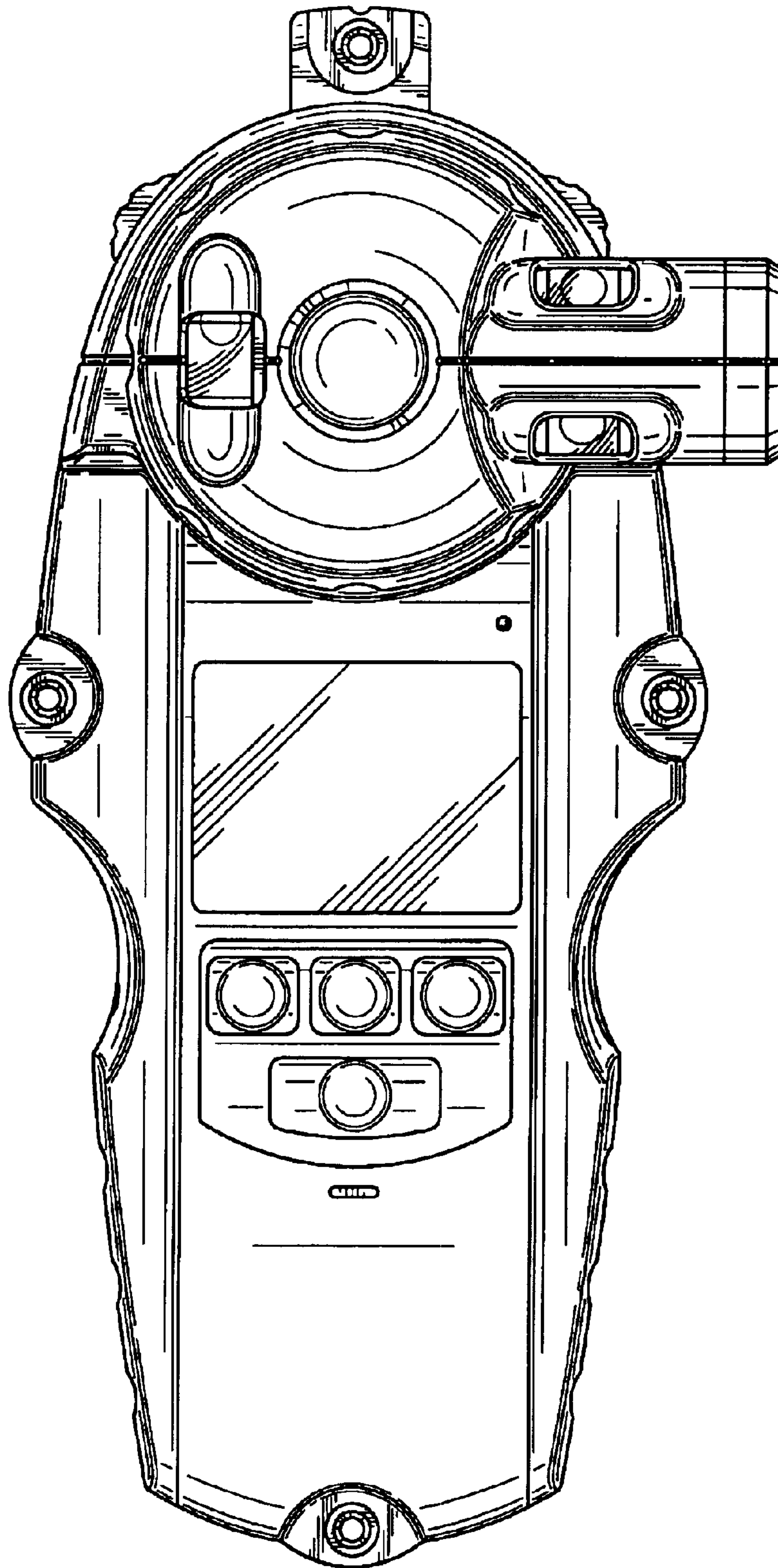


FIG. 2

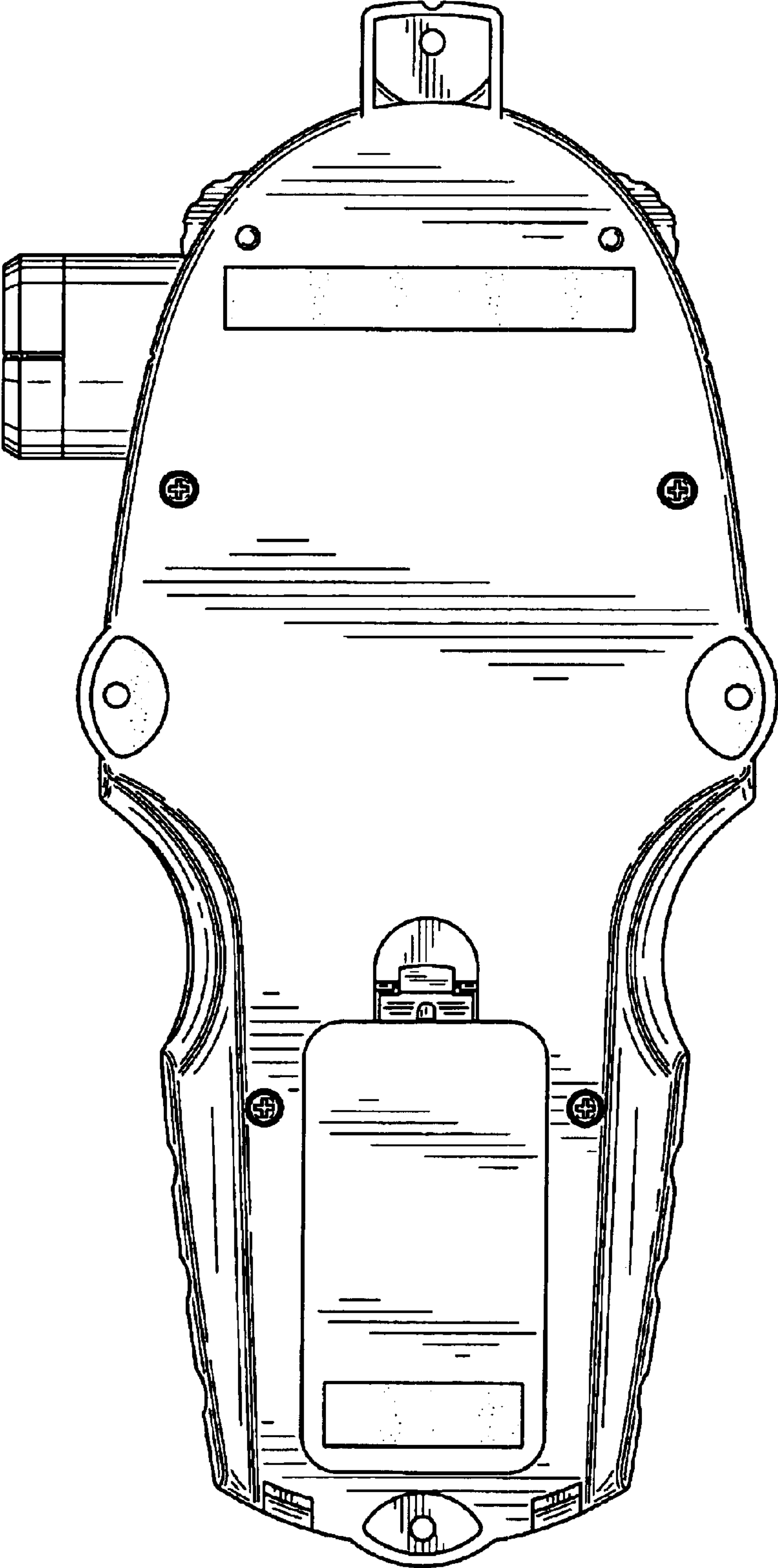


FIG. 3

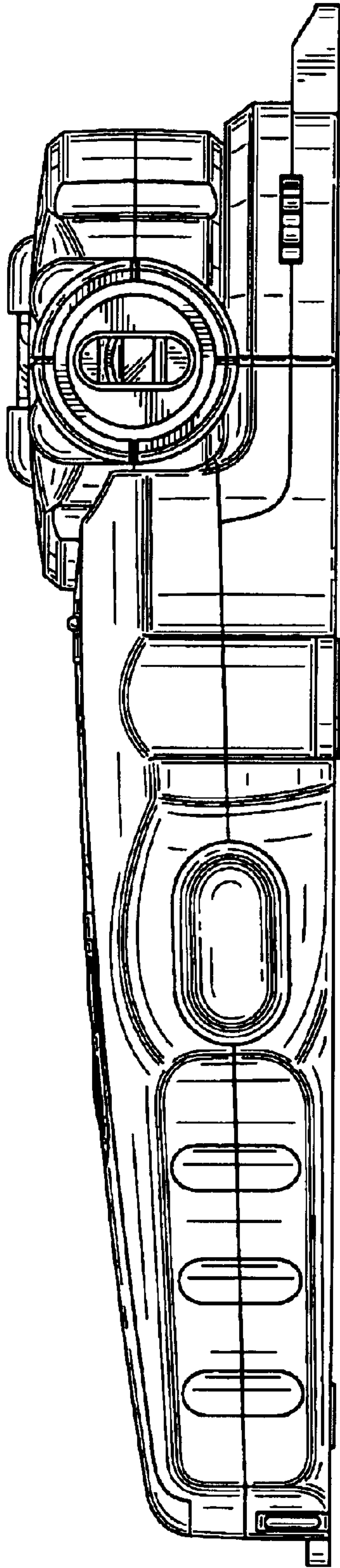


FIG. 4

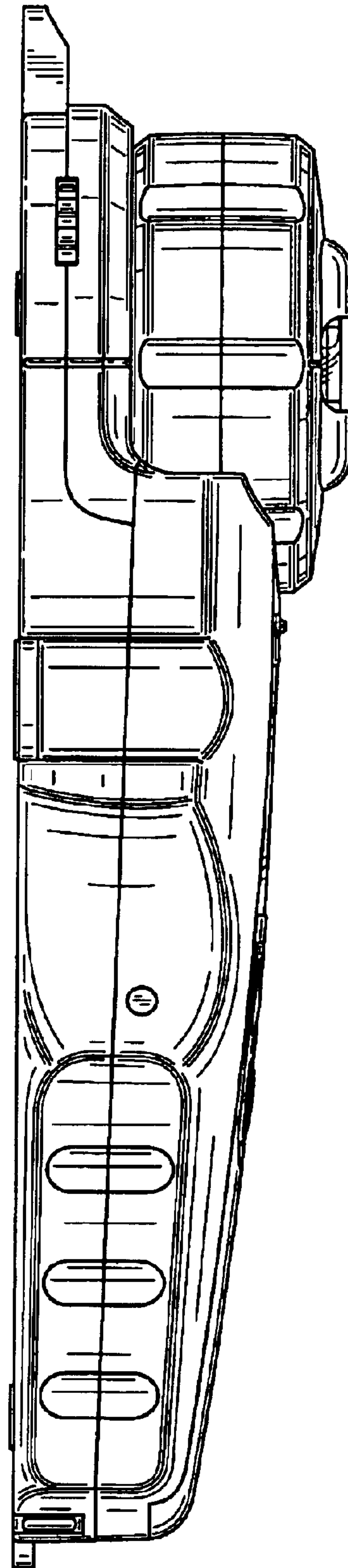


FIG. 5

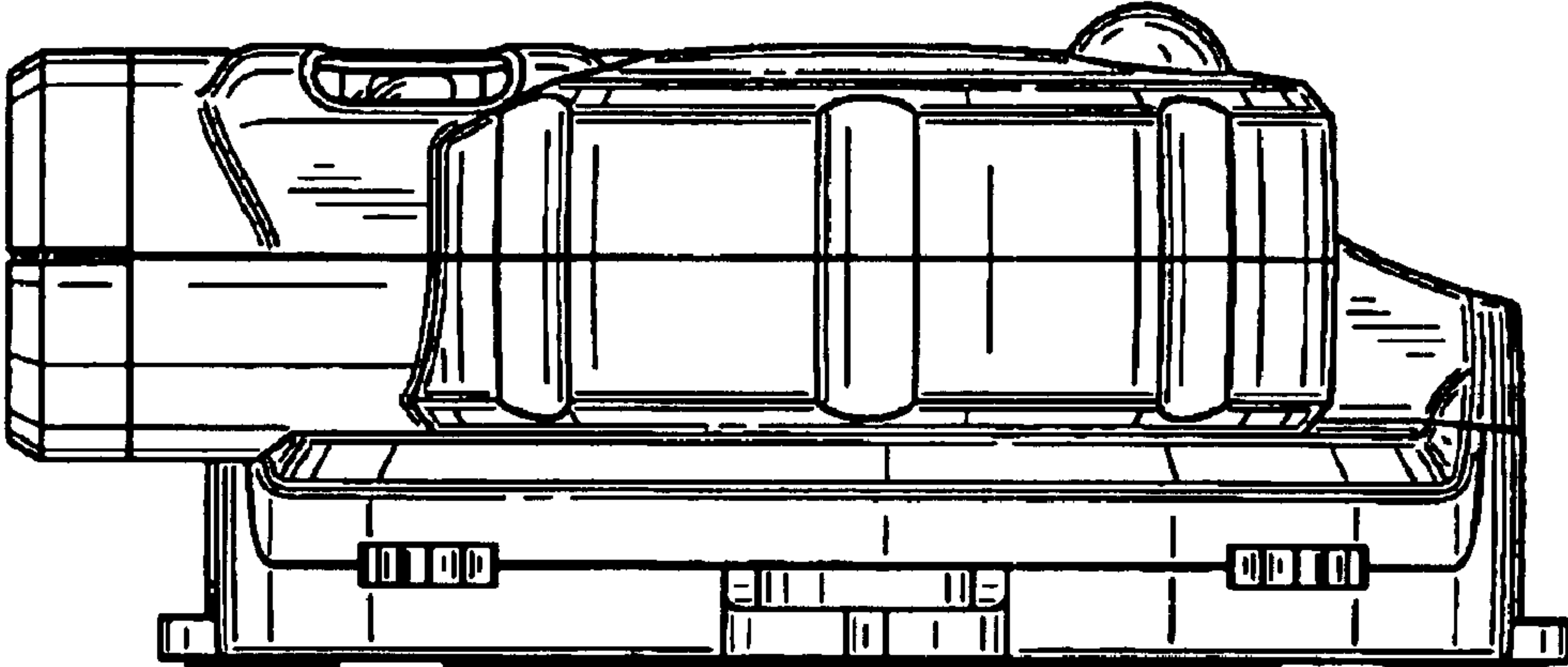


FIG. 6

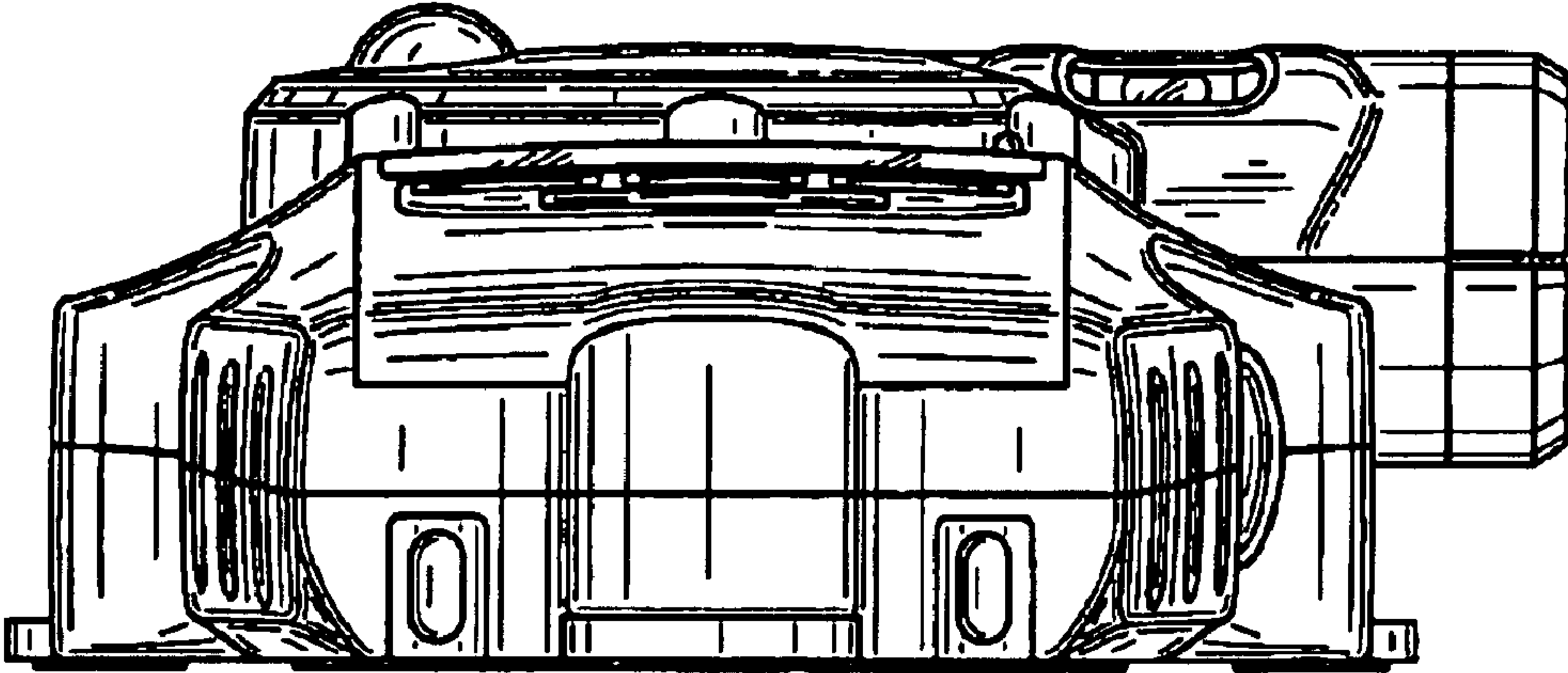


FIG. 7

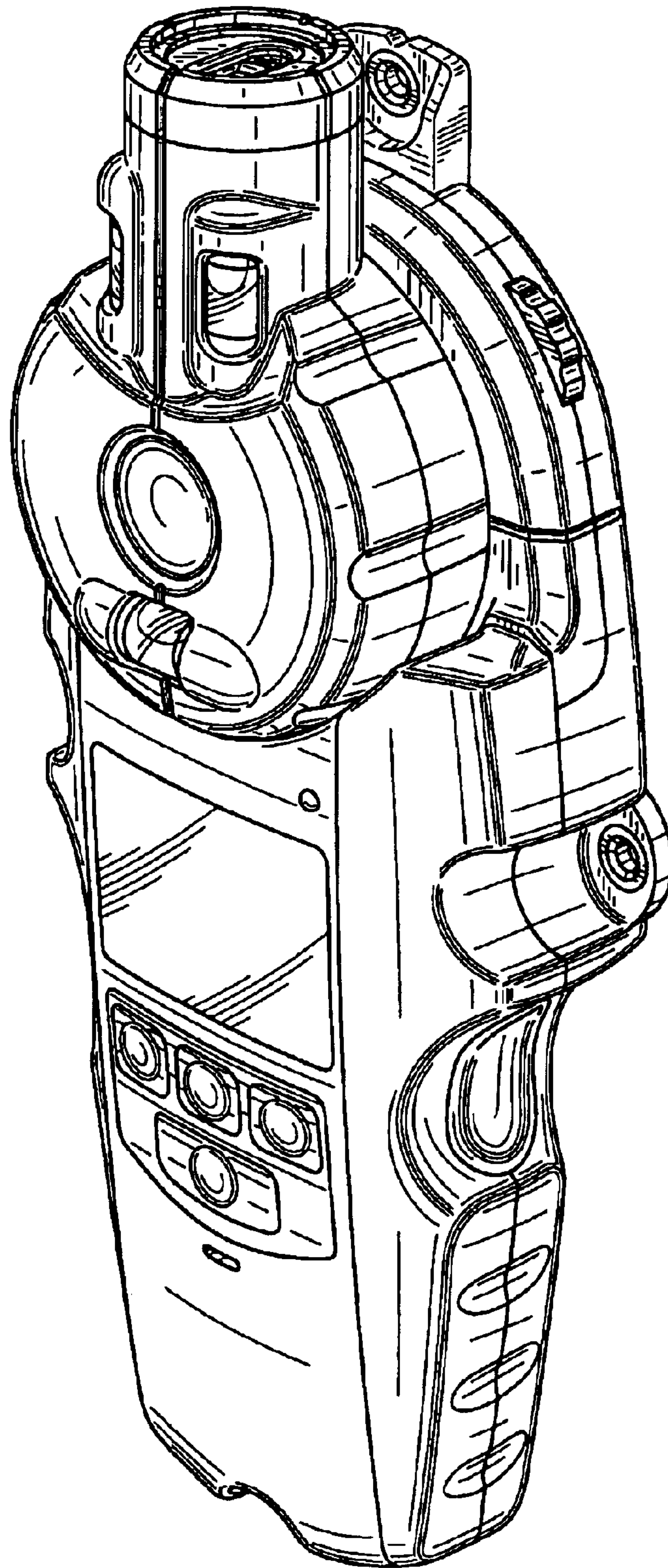


FIG. 8