

US00D498147S

(12) **United States Design Patent** (10) **Patent No.:** **US D498,147 S**
Hampf et al. (45) **Date of Patent:** **** Nov. 9, 2004**

(54) **ALARM CLOCK**

(75) Inventors: **Jan Hampf**, Saro (SE); **Pär Bergström**, Göteborg (SE)

(73) Assignee: **Bellman & Symfon AB** (SE)

(**) Term: **14 Years**

(21) Appl. No.: **29/190,134**

(22) Filed: **Sep. 16, 2003**

(51) **LOC (7) Cl.** **10-01**

(52) **U.S. Cl.** **D10/23**

(58) **Field of Search** D10/1-40, 122-132;
368/276-277, 285, 316-317

(56) **References Cited**

U.S. PATENT DOCUMENTS

D73,467 S	*	9/1927	Weiss	D26/105
D93,523 S	*	10/1934	Schlenker	D10/23
D109,210 S	*	4/1938	Darrot	D10/23
D122,309 S	*	9/1940	Bruce	D10/23
D144,210 S	*	3/1946	Murray	D10/23
D162,523 S	*	3/1951	Danz	D10/23
D172,914 S	*	8/1954	Weisz	D10/23
D236,591 S	*	9/1975	Daher	D10/23
D270,900 S	*	10/1983	Kanouji	D10/23
D312,578 S	*	12/1990	Kumakura	D10/22
D319,022 S	*	8/1991	Hirota	D10/28
D330,517 S	*	10/1992	Takashima	D10/23
D354,004 S	*	1/1995	Brown	D10/23

FOREIGN PATENT DOCUMENTS

SE 75316 10/2002

* cited by examiner

Primary Examiner—Nelson C. Holtje

(74) *Attorney, Agent, or Firm*—Watts Hoffman Co., L.P.A.

(57) **CLAIM**

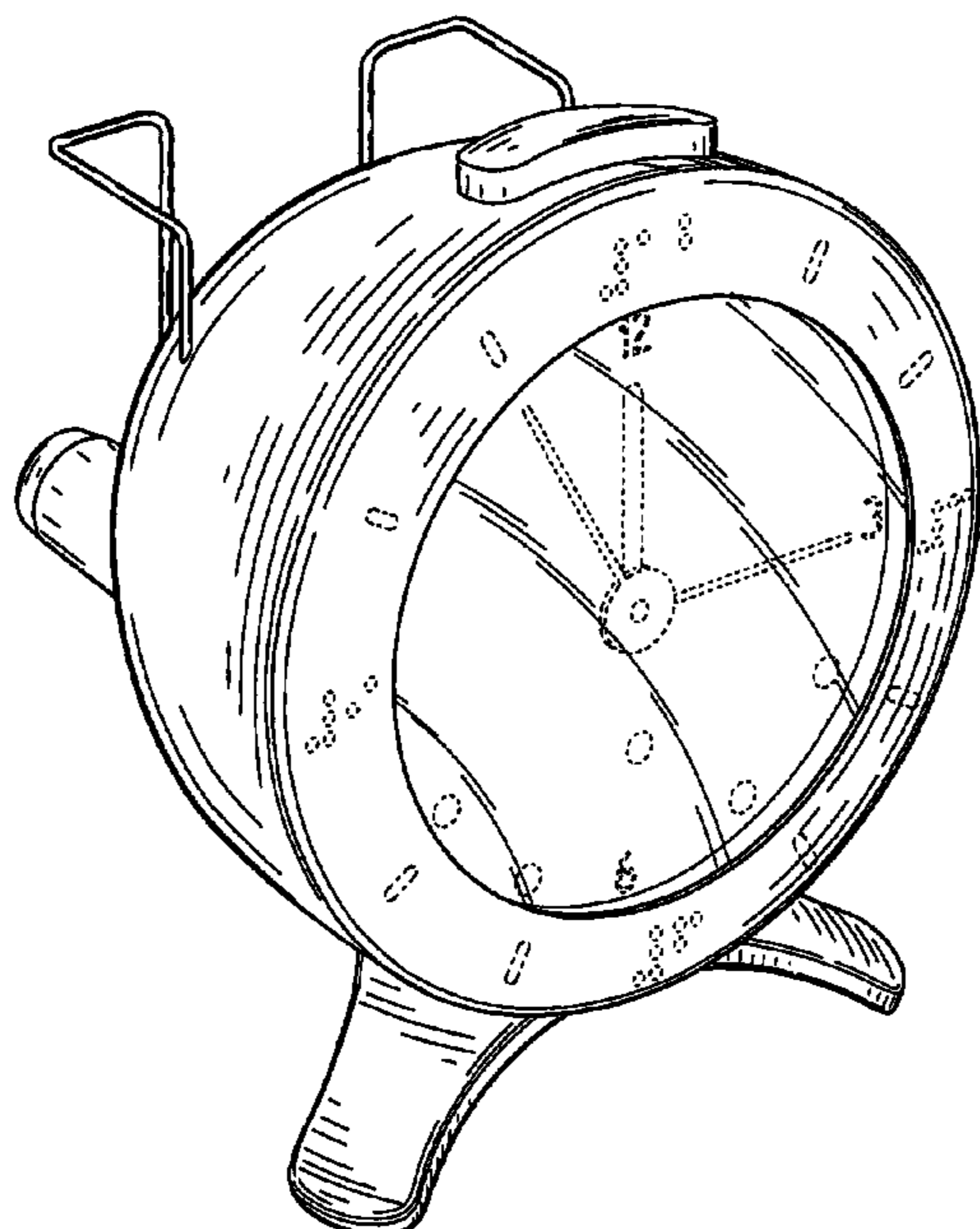
We claim the ornamental design for an alarm clock, as shown and described.

DESCRIPTION

FIG. 1 is a perspective view of the alarm clock of a first embodiment our new design;
 FIG. 2 is a front elevational view of the alarm clock of the first embodiment;
 FIG. 3 is a rear elevational view of the alarm clock of the first embodiment;
 FIG. 4 is a right side elevational view of the alarm clock of the first embodiment;
 FIG. 5 is a top plan view of the alarm clock of the first embodiment;
 FIG. 6 is a bottom plan view of the alarm clock of the first embodiment;
 FIG. 7 is a perspective view of the alarm clock of a second embodiment our new design;
 FIG. 8 is a front elevational view of the alarm clock of the second embodiment;
 FIG. 9 is a rear elevational view of the alarm clock of the second embodiment;
 FIG. 10 is a right side elevational view of the alarm clock of the second embodiment;
 FIG. 11 is a left side elevational view of the alarm clock of the second embodiment;
 FIG. 12 is a top plan view of the alarm clock of the first embodiment; and,
 FIG. 13 is a bottom plan view of the alarm clock of the first embodiment.

The broken lines shown are for illustrative purposes only and form no part of the claimed design.

1 Claim, 7 Drawing Sheets



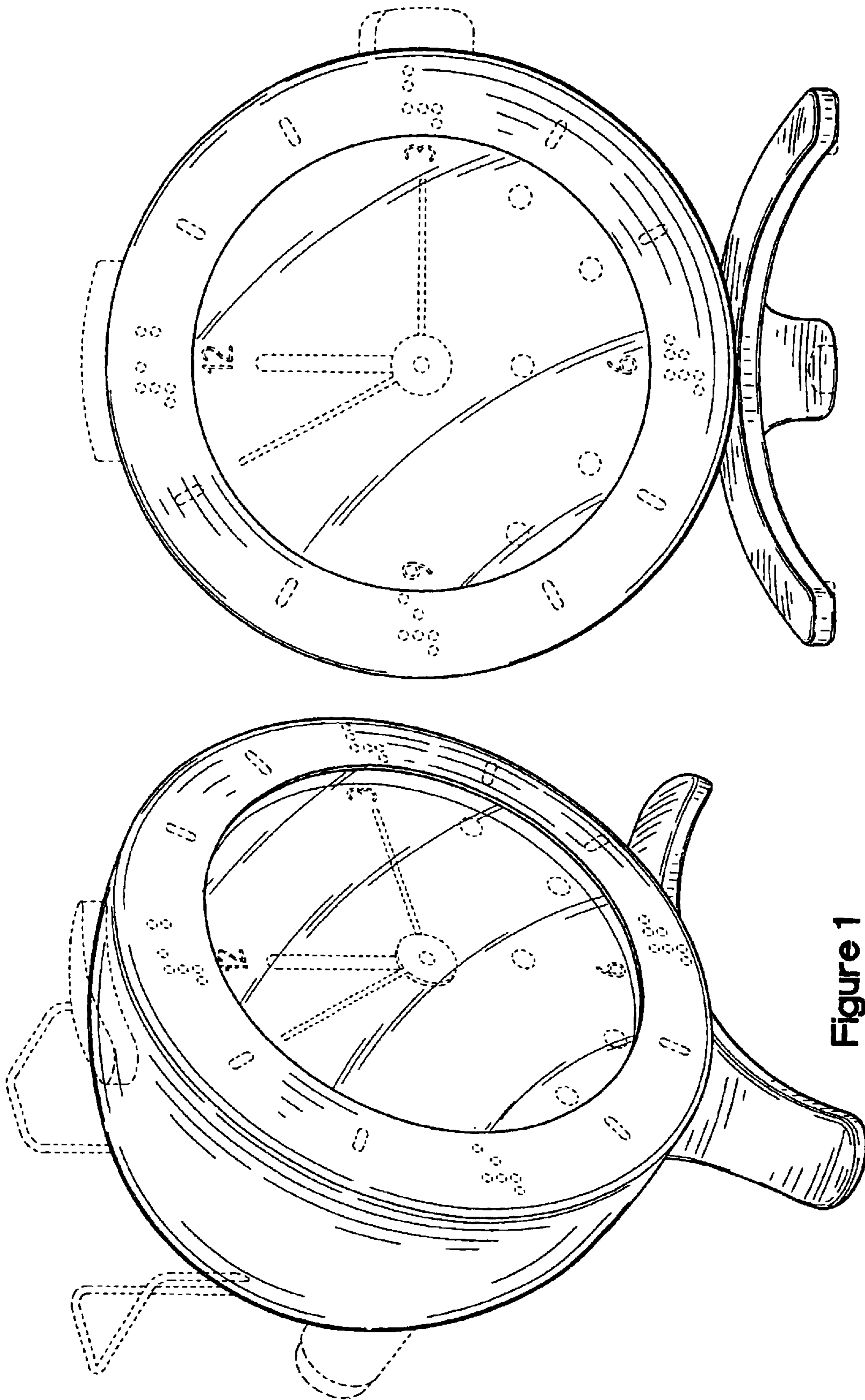


Figure 2

Figure 1

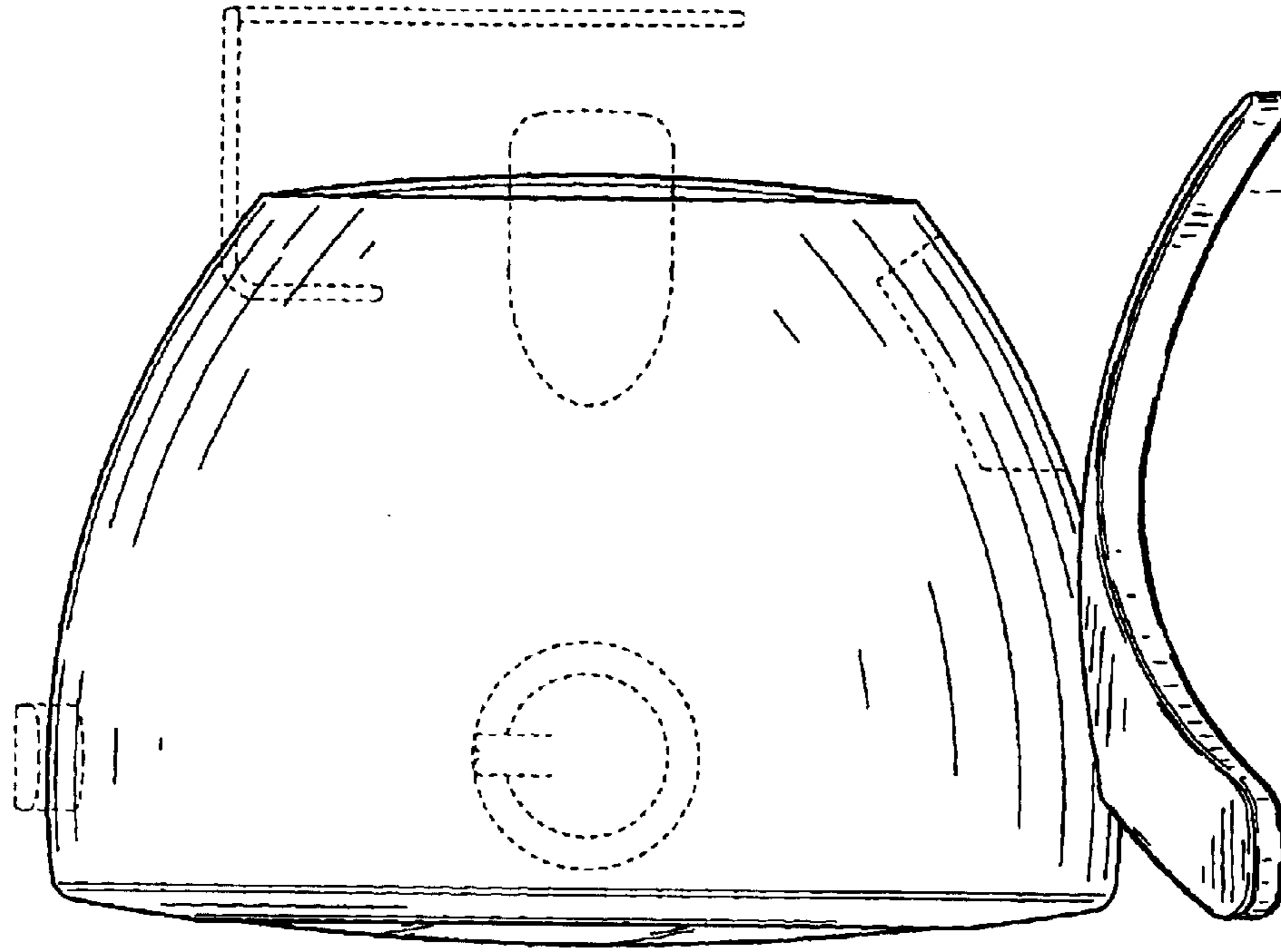


Figure 4

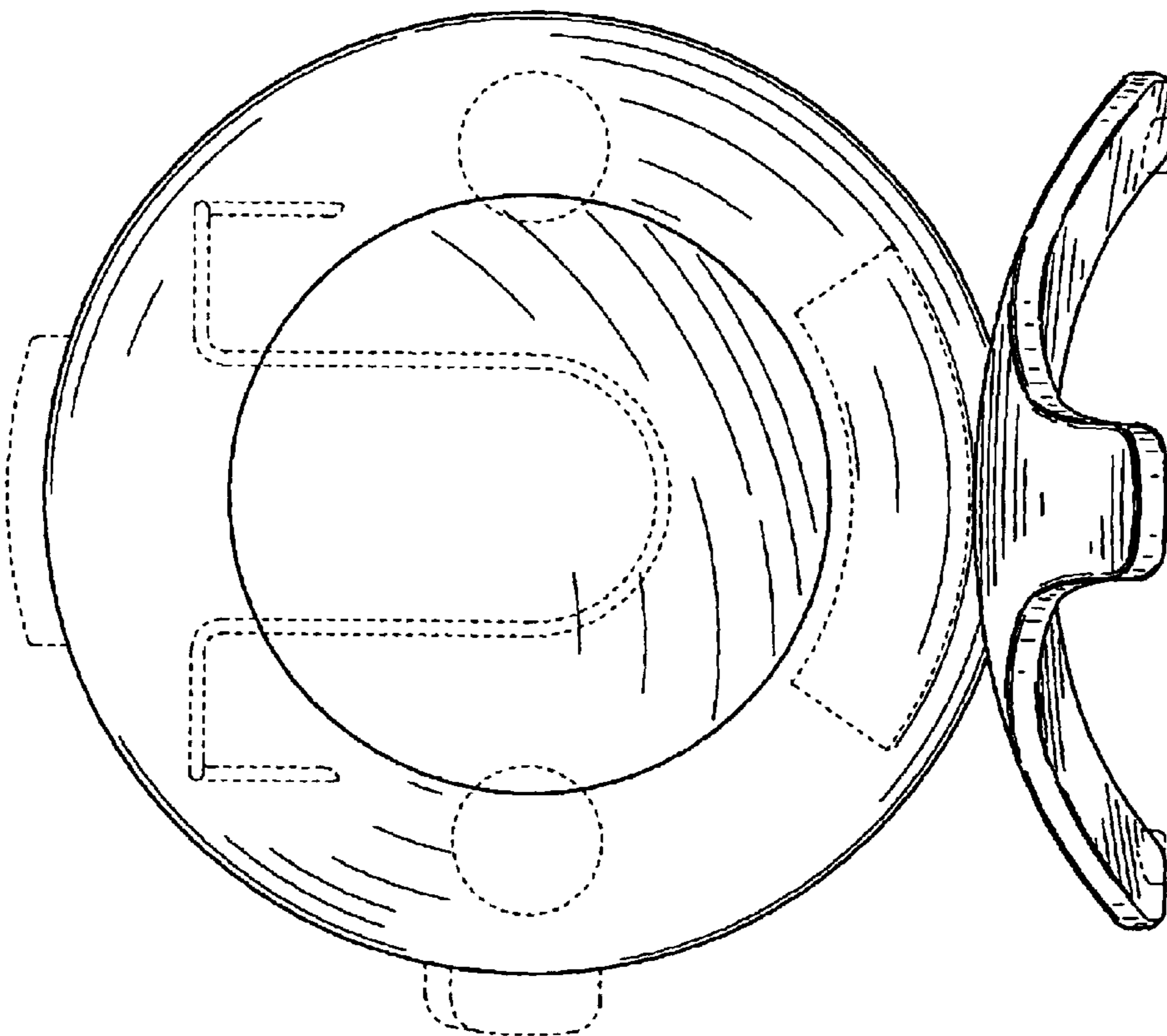


Figure 3

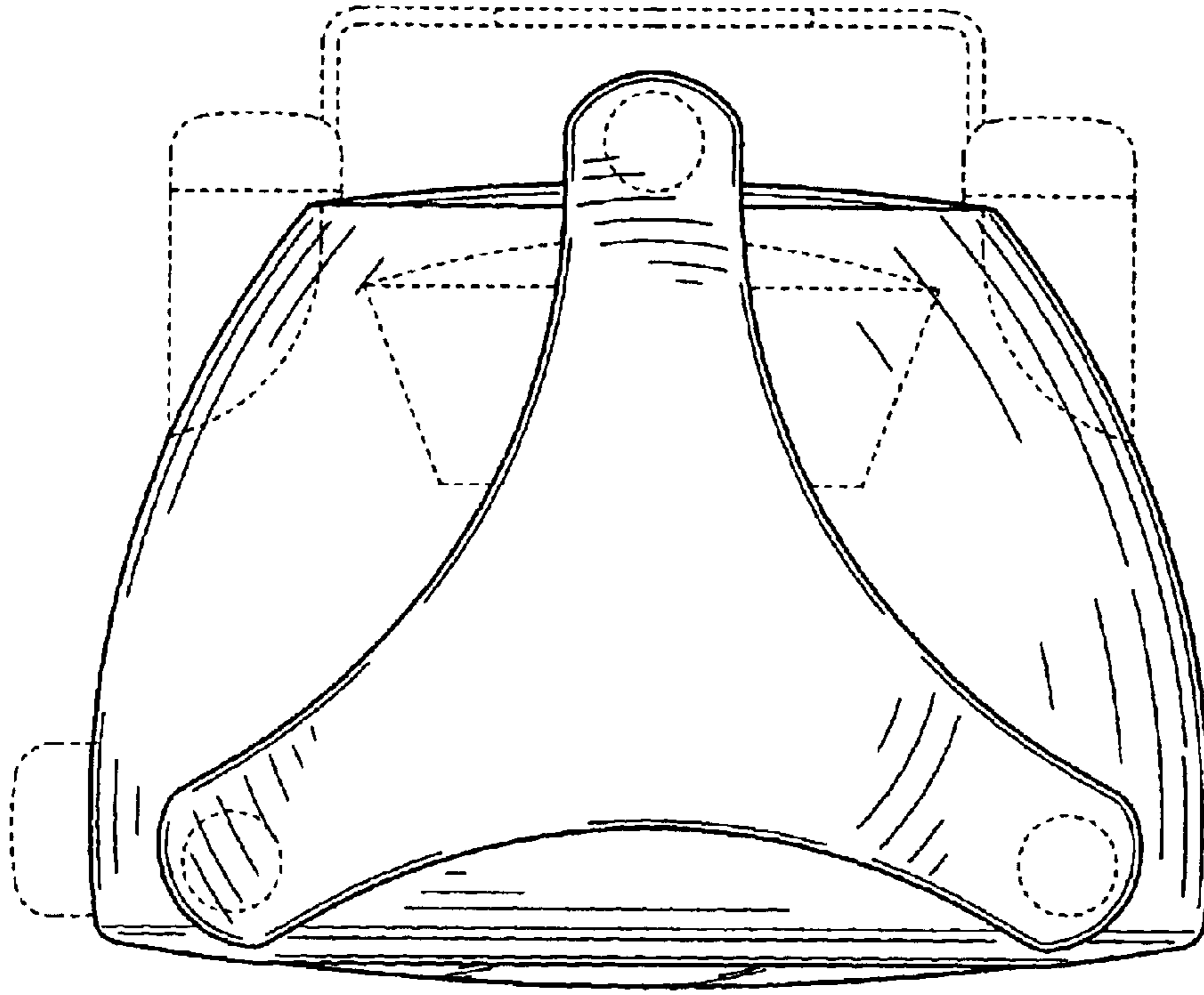


Figure 6

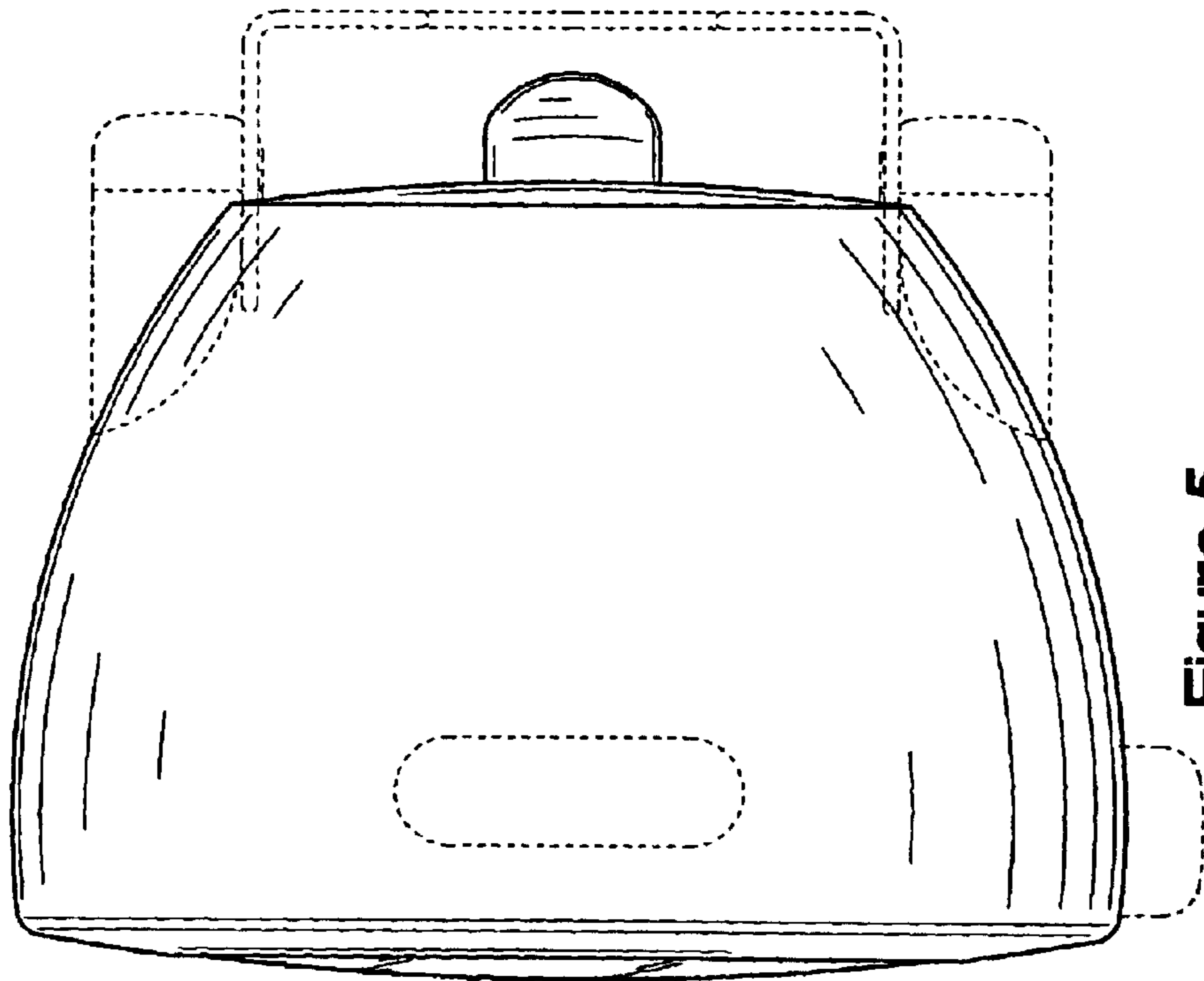


Figure 5

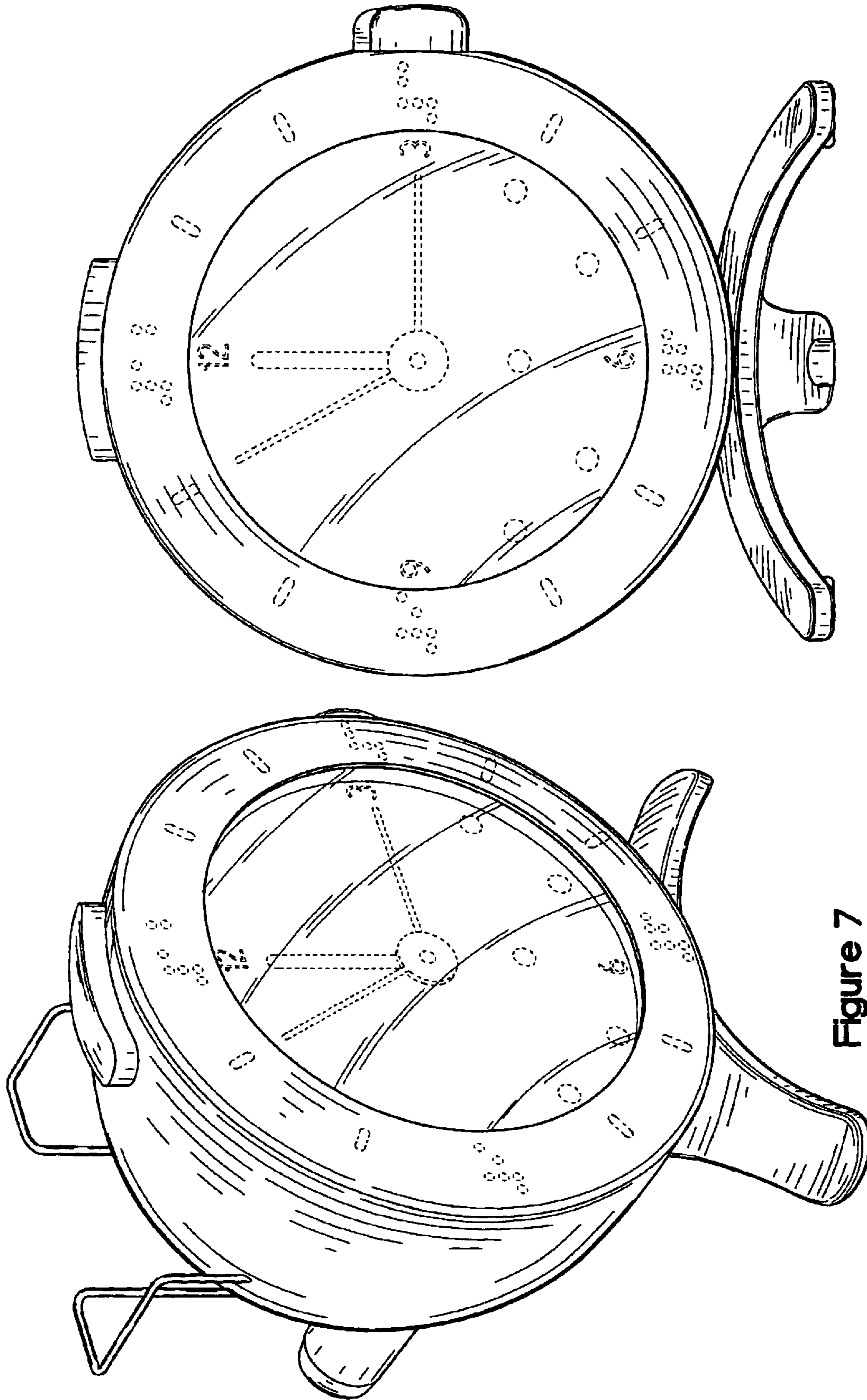


Figure 8

Figure 7

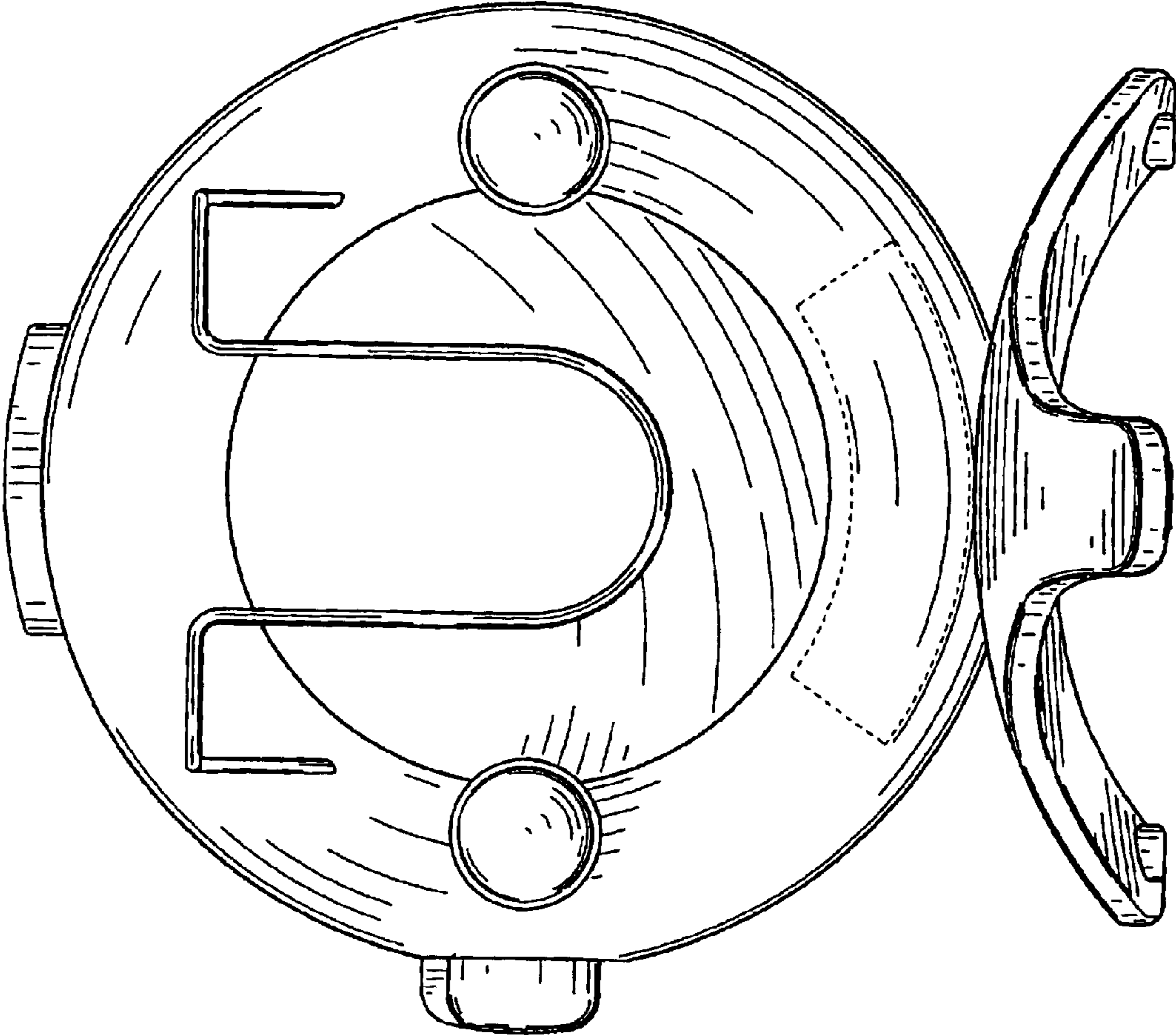


Figure 9

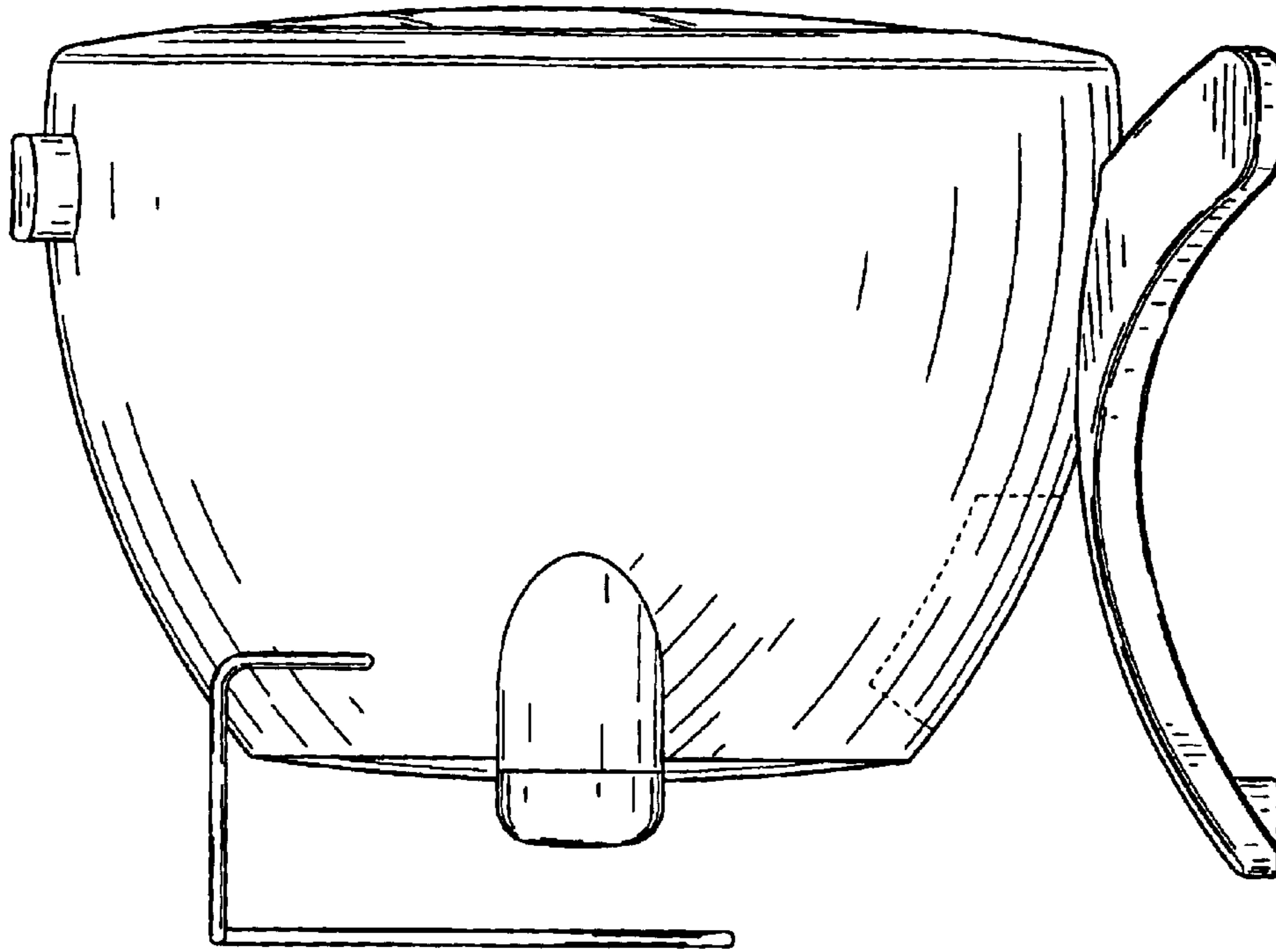


Figure 11

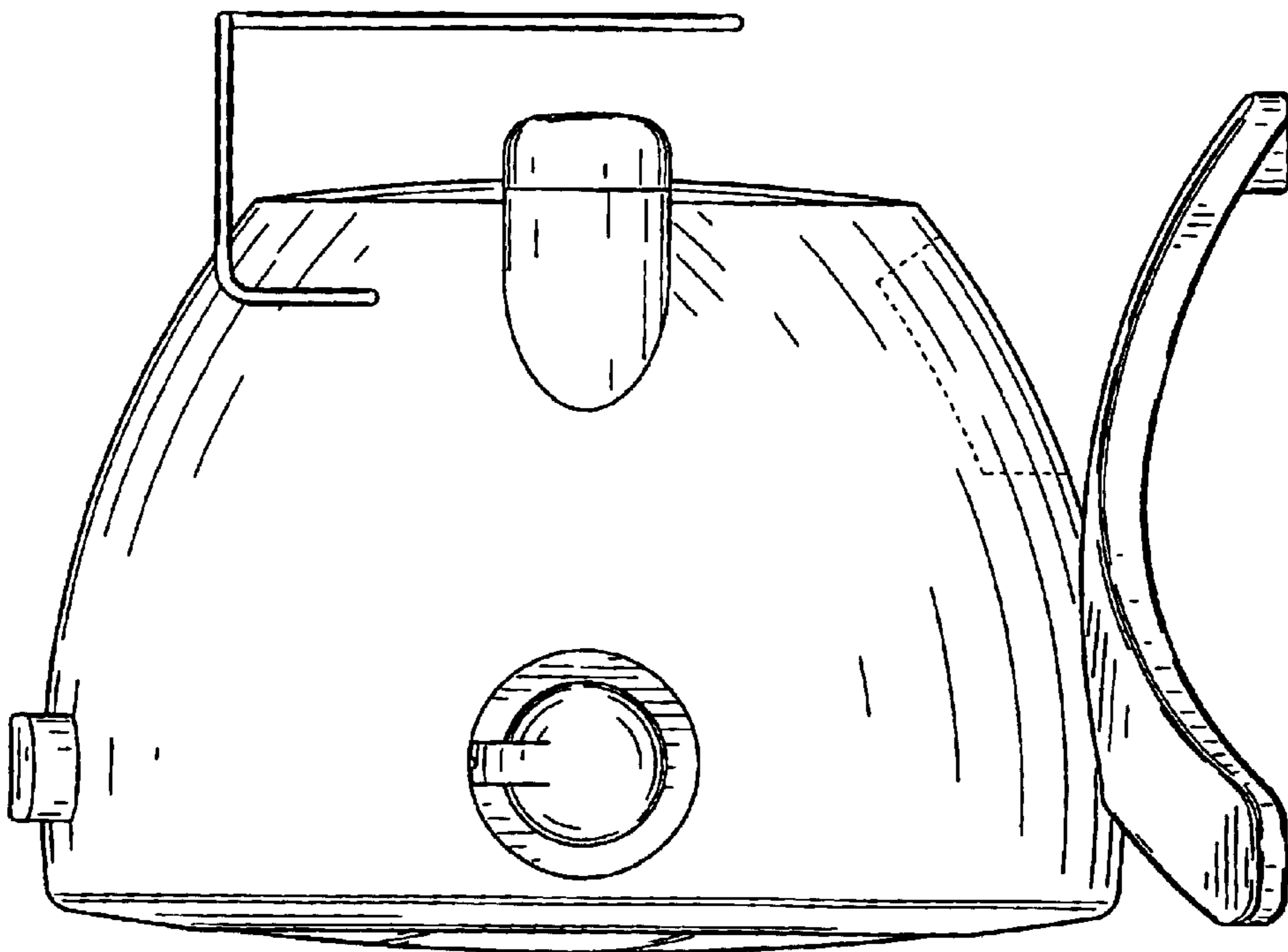


Figure 10

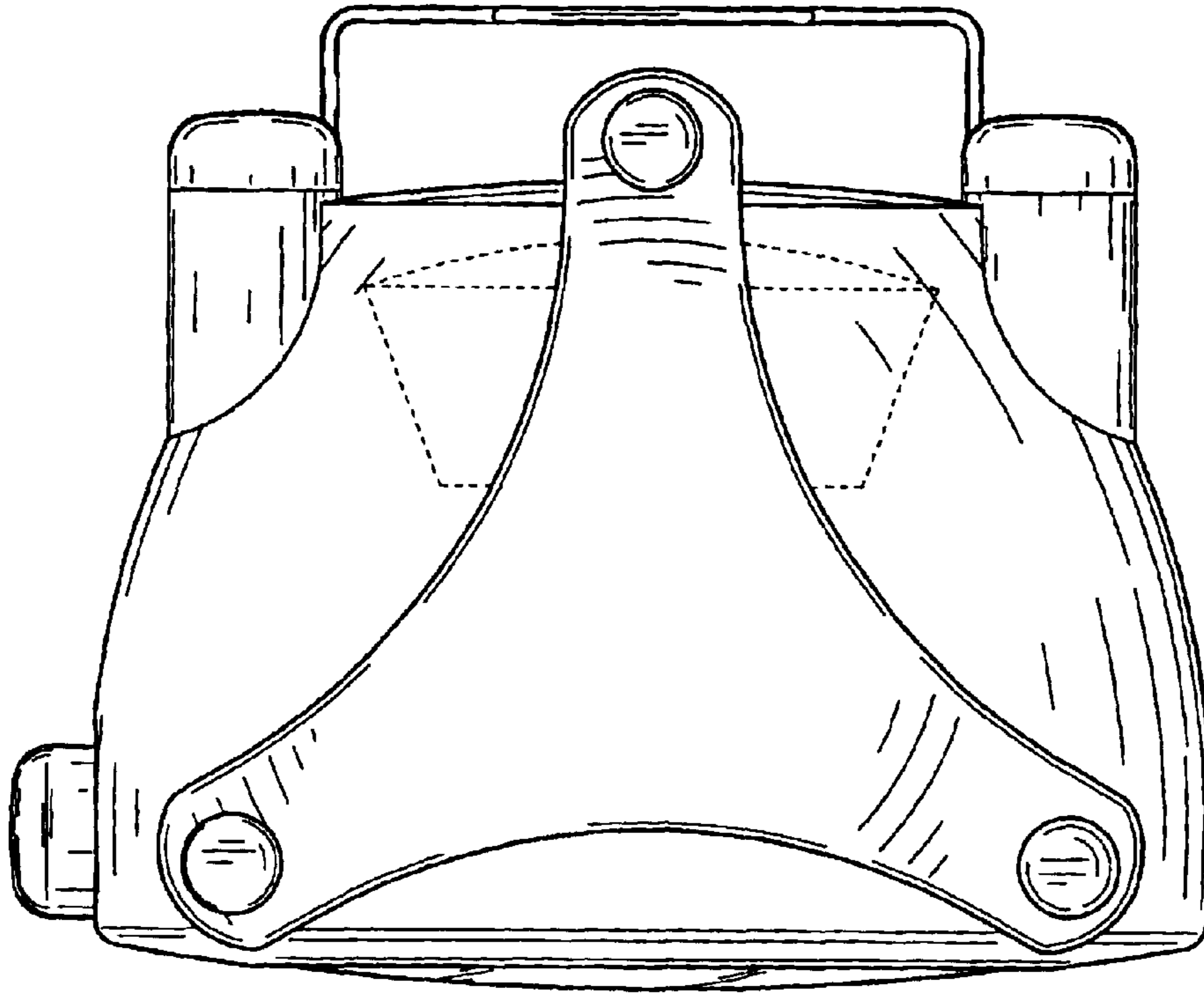


Figure 13

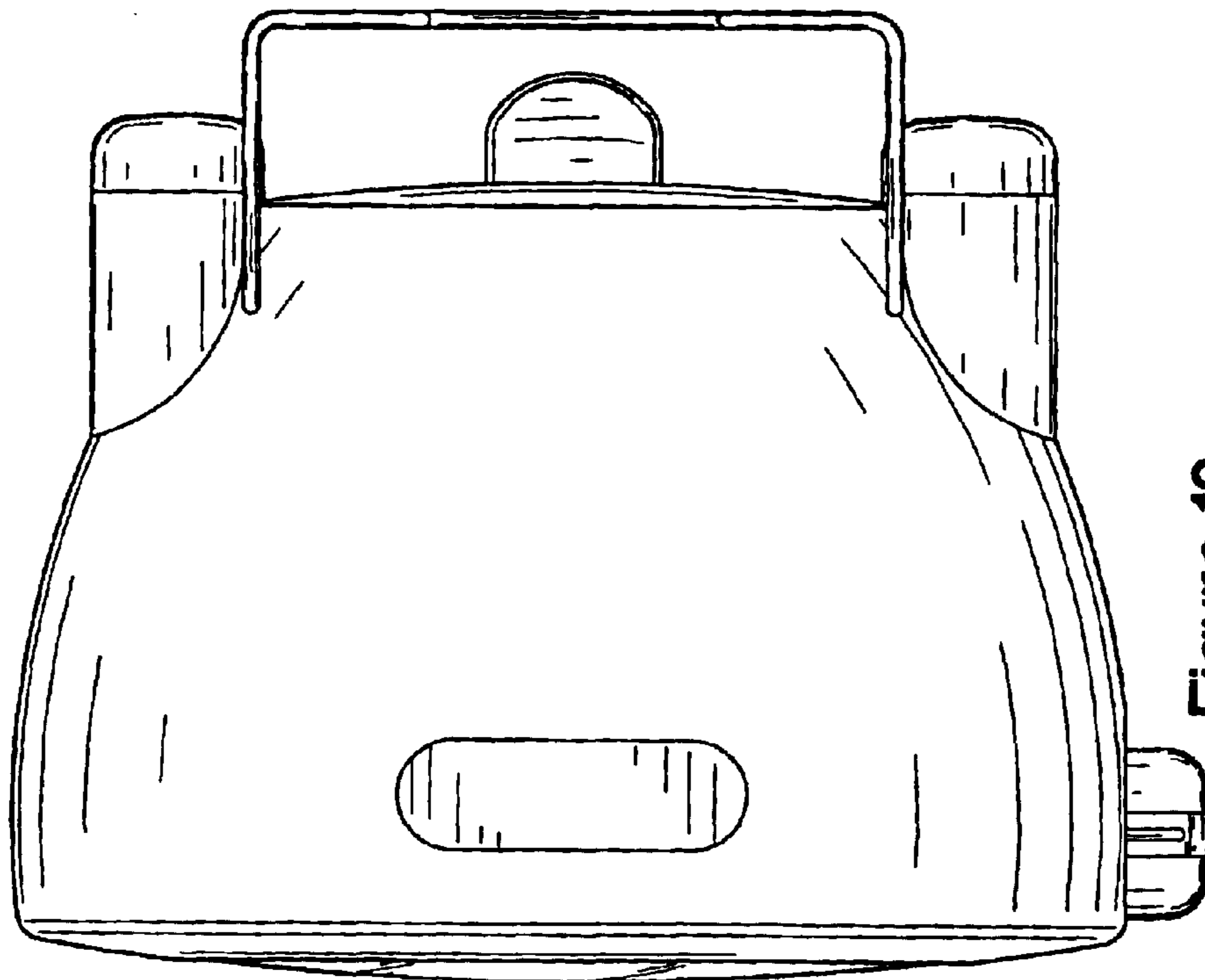


Figure 12