

US00D498140S

(12) **United States Design Patent**  
**Lin**

(10) **Patent No.:** **US D498,140 S**

(45) **Date of Patent:** **\*\* Nov. 9, 2004**

(54) **CARTON**

(75) **Inventor:** **Fu-Chi Lin, Taipei (TW)**

(73) **Assignee:** **Youth Toy Enterprise Co., Ltd., Taipei Hsien (TW)**

(\*\*) **Term:** **14 Years**

(21) **Appl. No.:** **29/166,678**

(22) **Filed:** **Sep. 3, 2002**

(51) **LOC (7) Cl.** ..... **09-03**

(52) **U.S. Cl.** ..... **D9/430**

(58) **Field of Search** ..... D9/414, 416, 430,  
D9/499; 206/551, 223, 457, 458, 527, 822;  
220/578, 579, 9.1, 890; 229/100, 106, 107,  
108, 109, 116, 115, 111-114, 902-903,  
938

(56) **References Cited**

**U.S. PATENT DOCUMENTS**

- 658,849 A \* 10/1900 Kinner ..... 229/116
- D192,941 S \* 5/1962 Schneider ..... D9/414
- D199,935 S \* 12/1964 Dykes ..... D9/414
- 3,359,657 A \* 12/1967 Hedberg ..... 434/211

- 3,661,290 A \* 5/1972 Davenport ..... 220/890
- 3,885,266 A \* 5/1975 Nafziger ..... 294/1.3
- D363,455 S \* 10/1995 Shryock ..... D11/164
- 5,842,630 A \* 12/1998 Remer ..... 229/116

\* cited by examiner

*Primary Examiner*—Philip S. Hyder  
*Assistant Examiner*—Daniel Bui

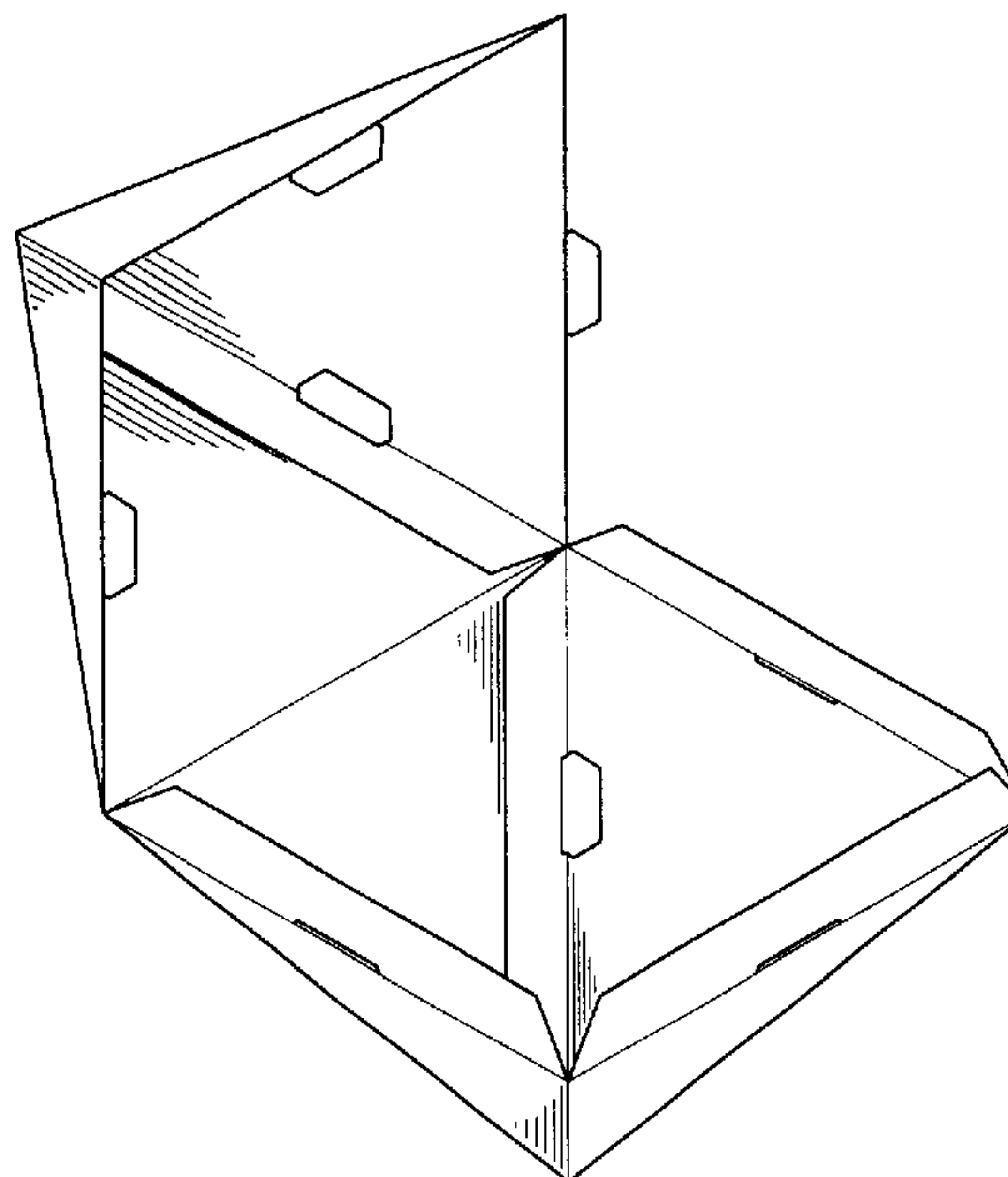
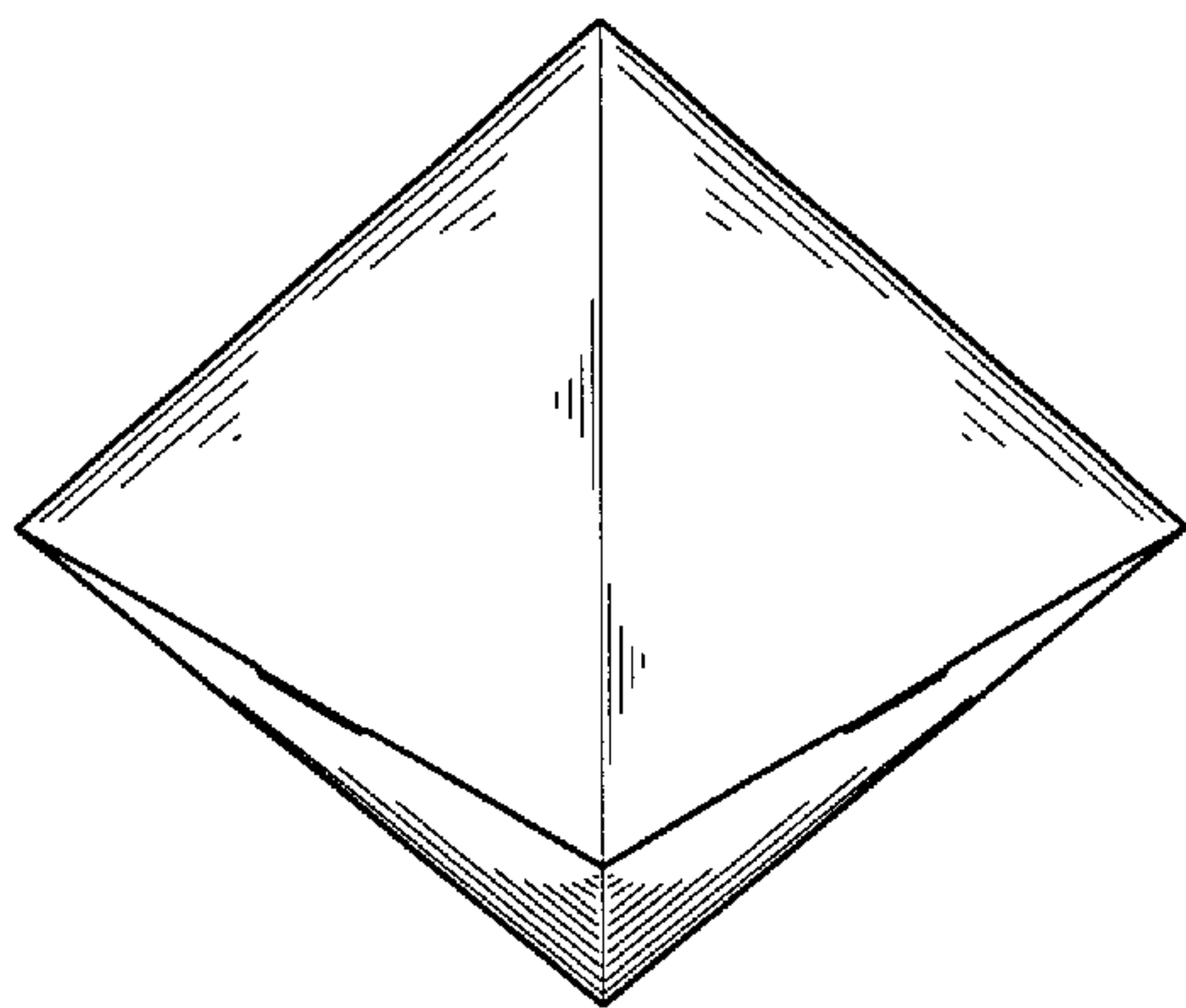
(57) **CLAIM**

The ornamental design for a carton, as shown and described.

**DESCRIPTION**

FIG. 1 is a front elevation of the carton;  
 FIG. 2 is a left side elevation thereof;  
 FIG. 3 is a right side elevation thereof;  
 FIG. 4 is a top plan view thereof;  
 FIG. 5 is a bottom plan view thereof;  
 FIG. 6 is a rear elevation thereof;  
 FIG. 7 is a perspective view thereof;  
 FIG. 8 is a perspective view thereof, in an open condition;  
 and,  
 FIG. 9 is a cross-sectional view taken along line 9—9 shown in FIG. 4.

**1 Claim, 5 Drawing Sheets**



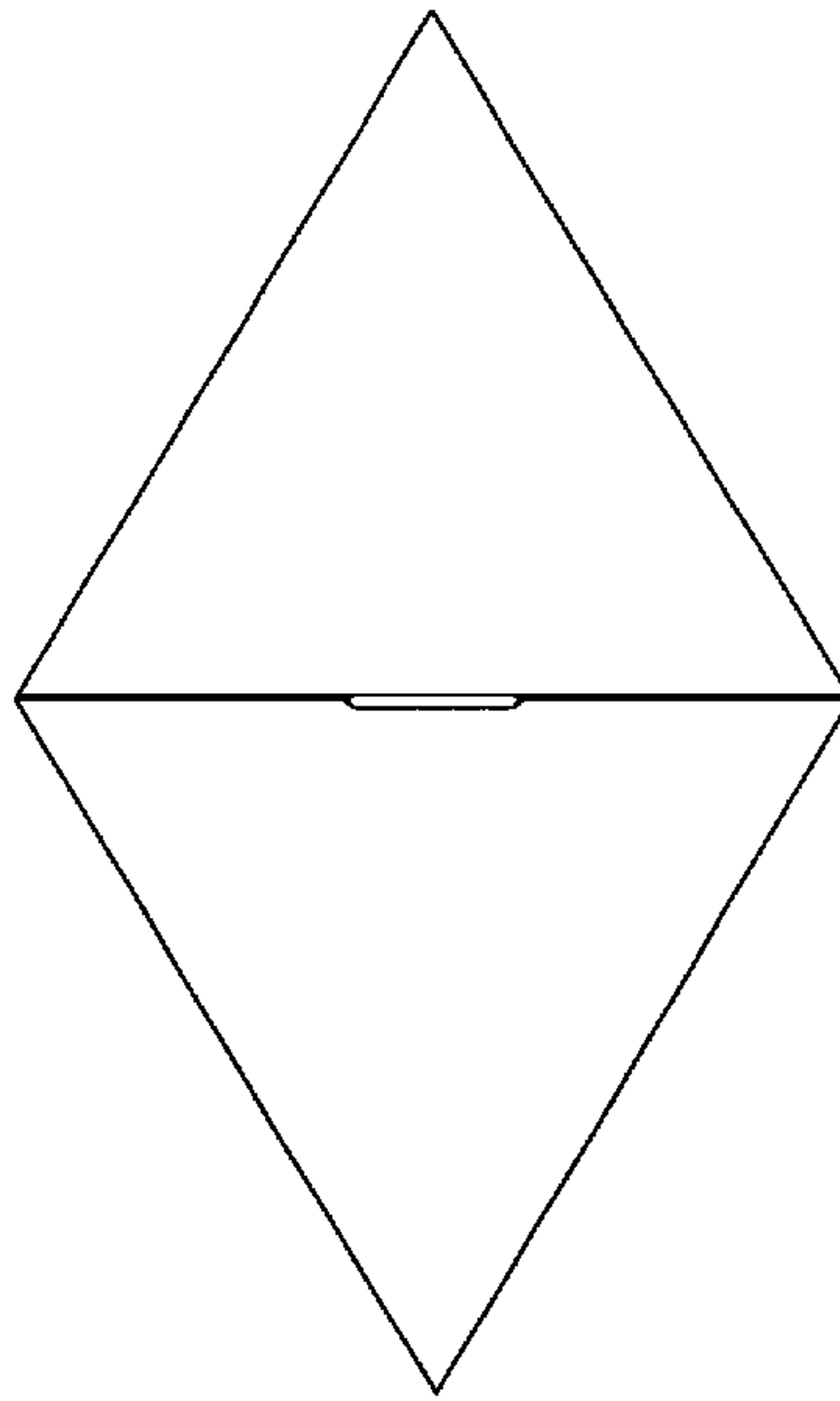


Fig. 1

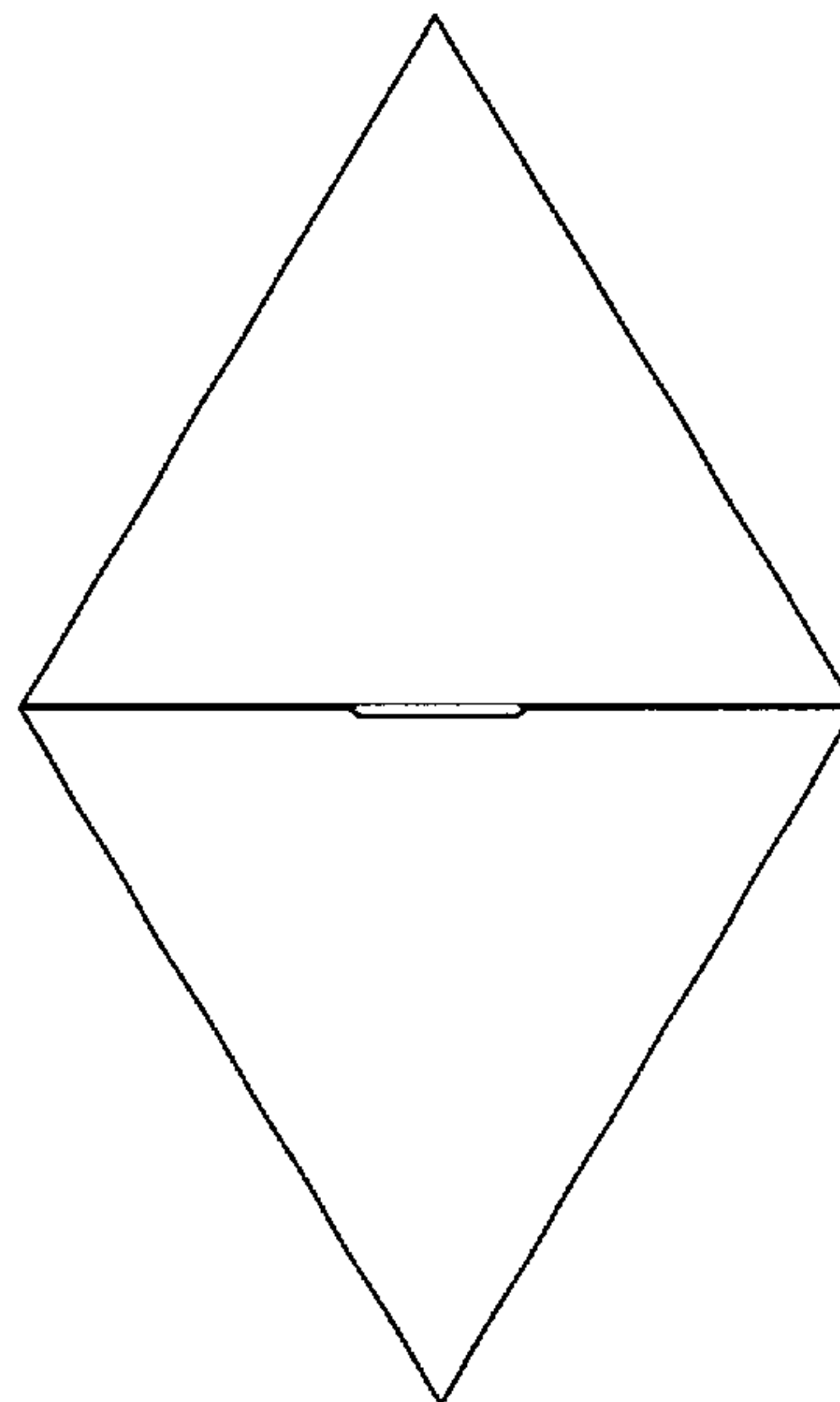


Fig. 2

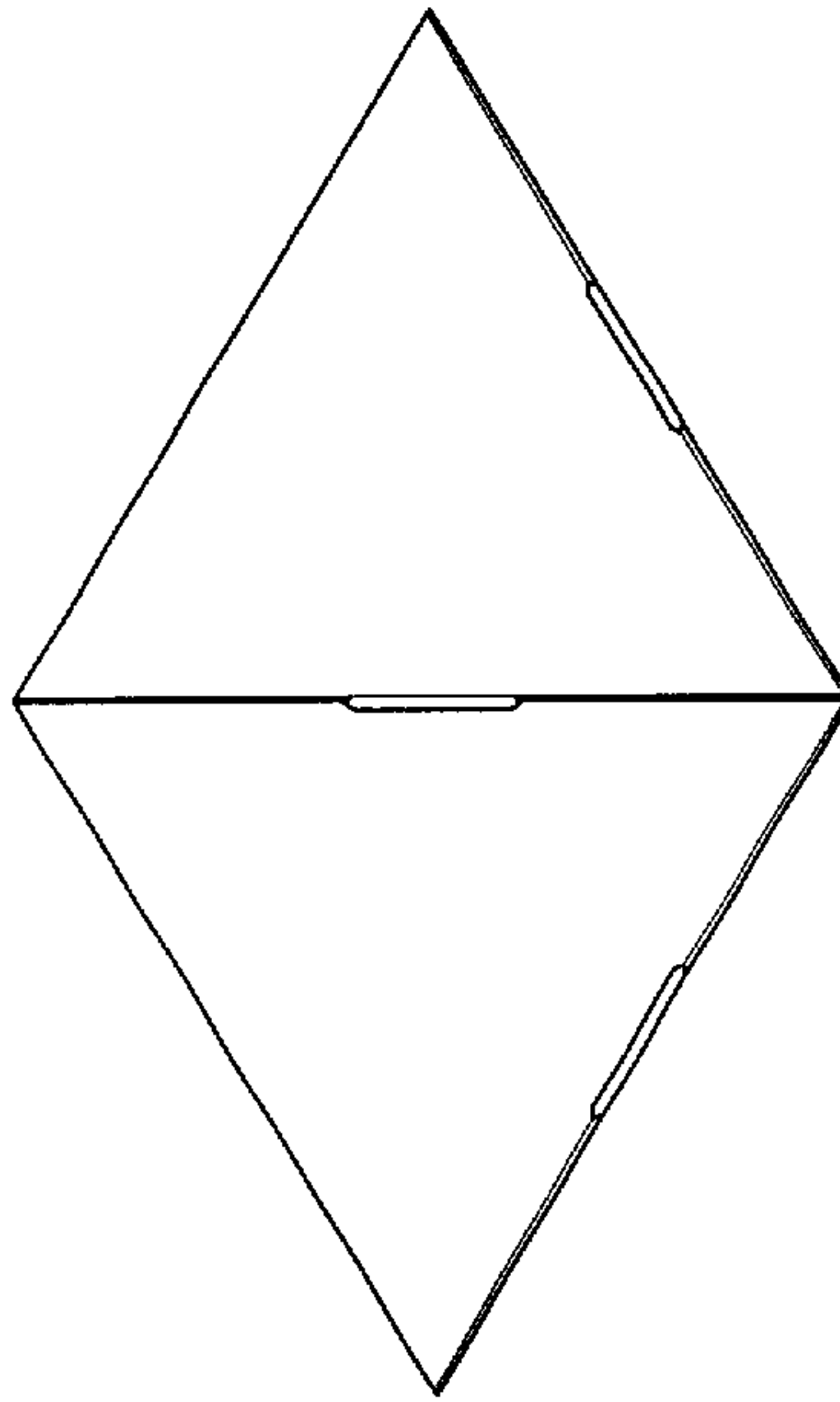


Fig. 3

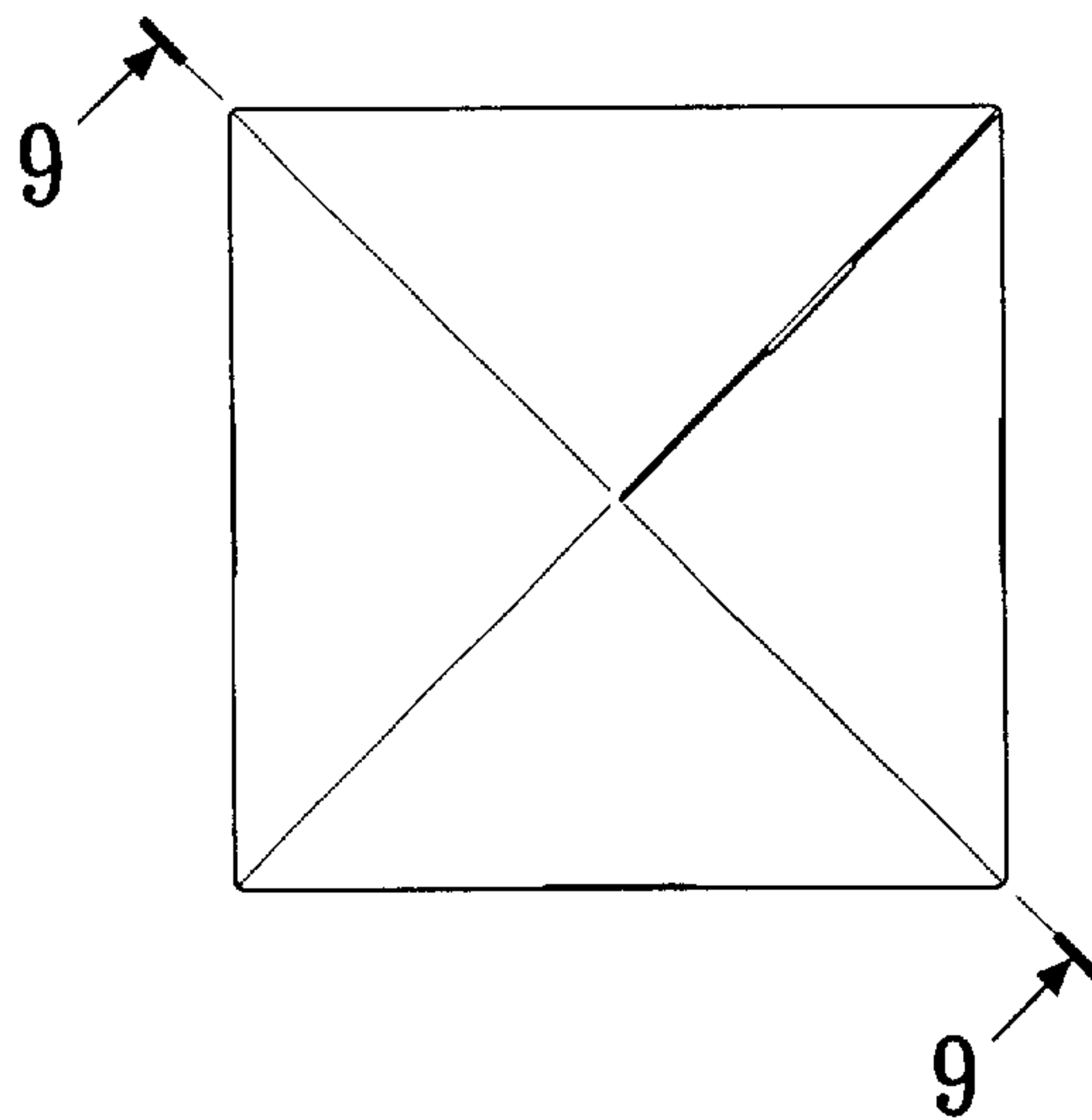


Fig. 4

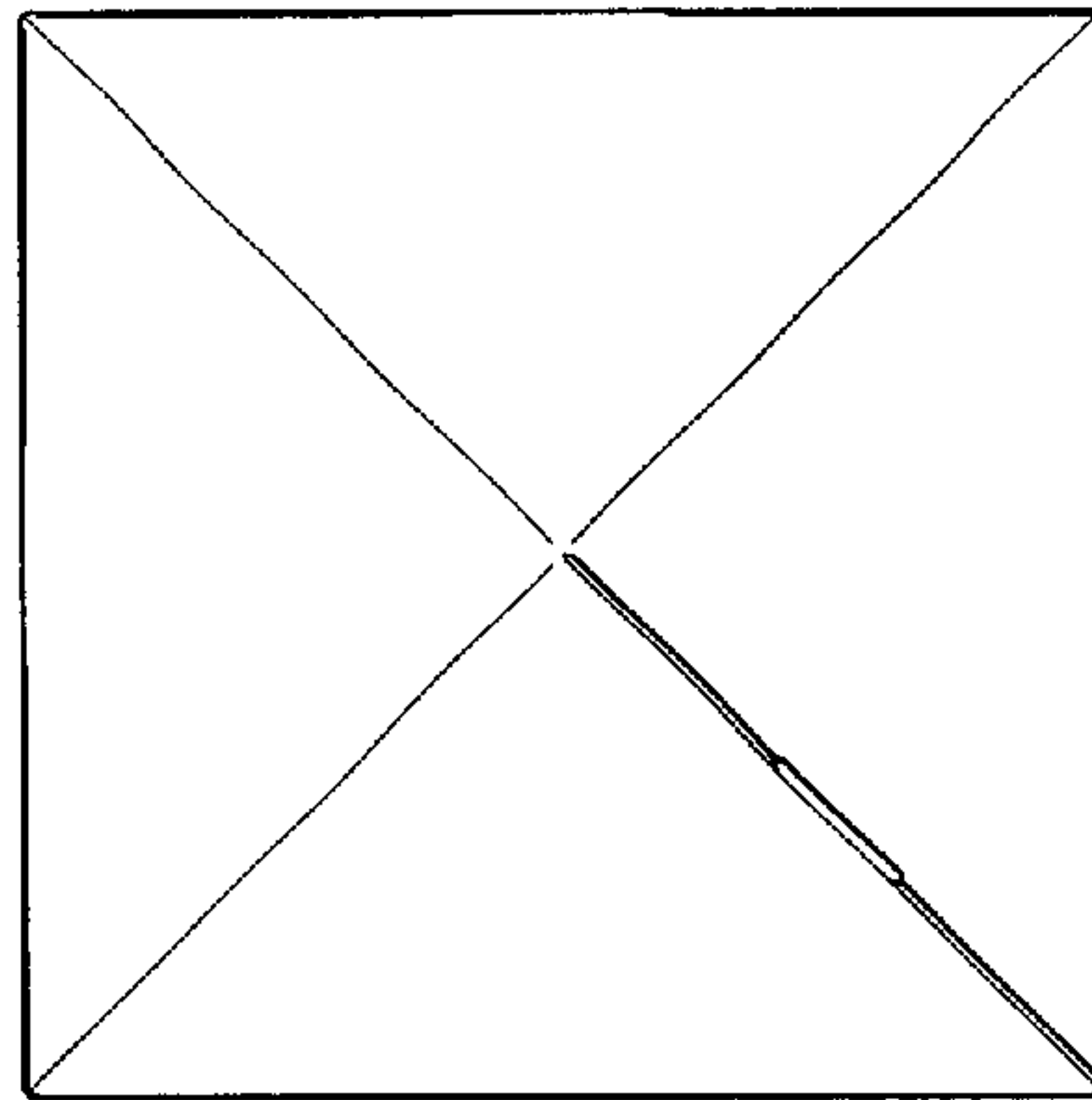


Fig. 5

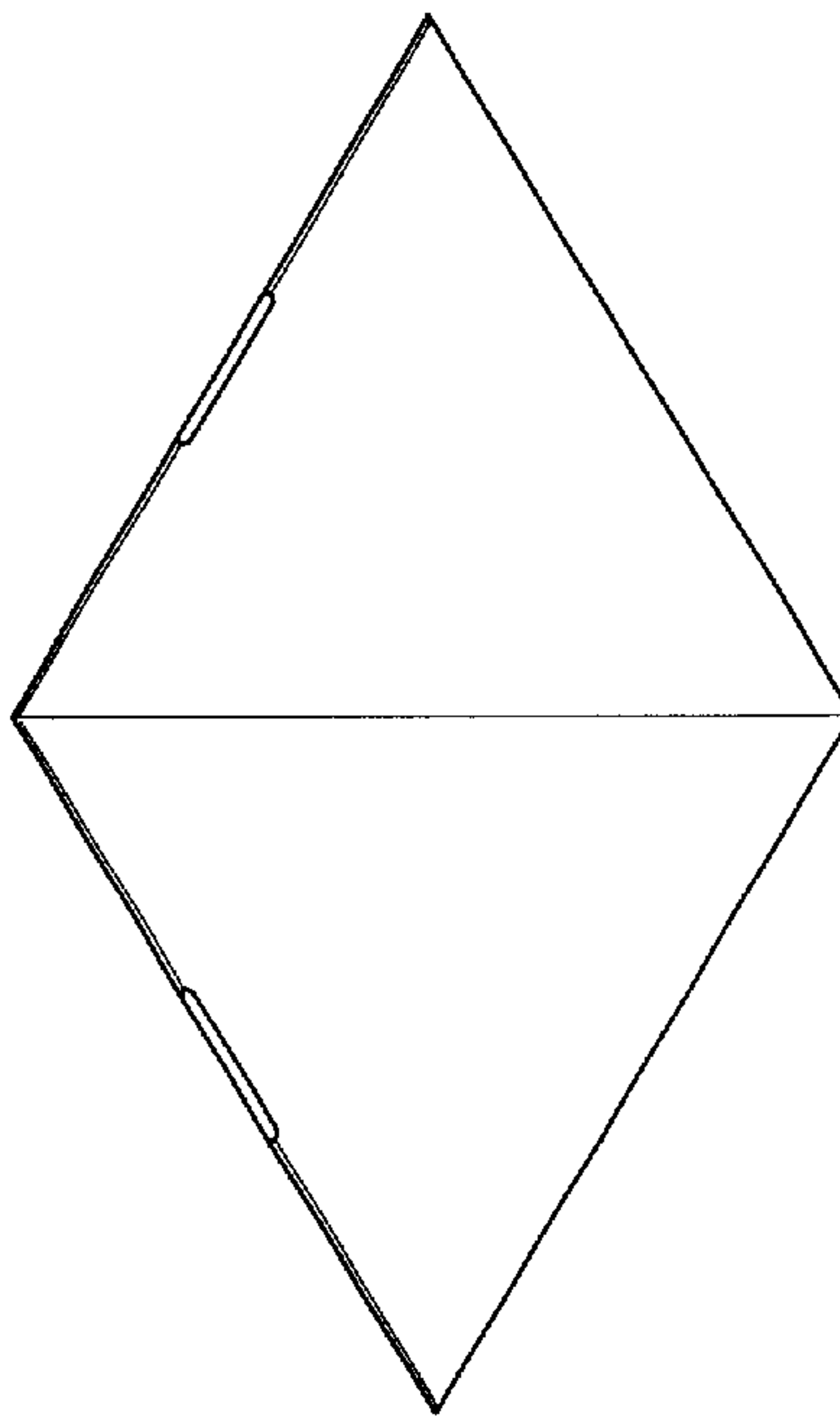


Fig. 6

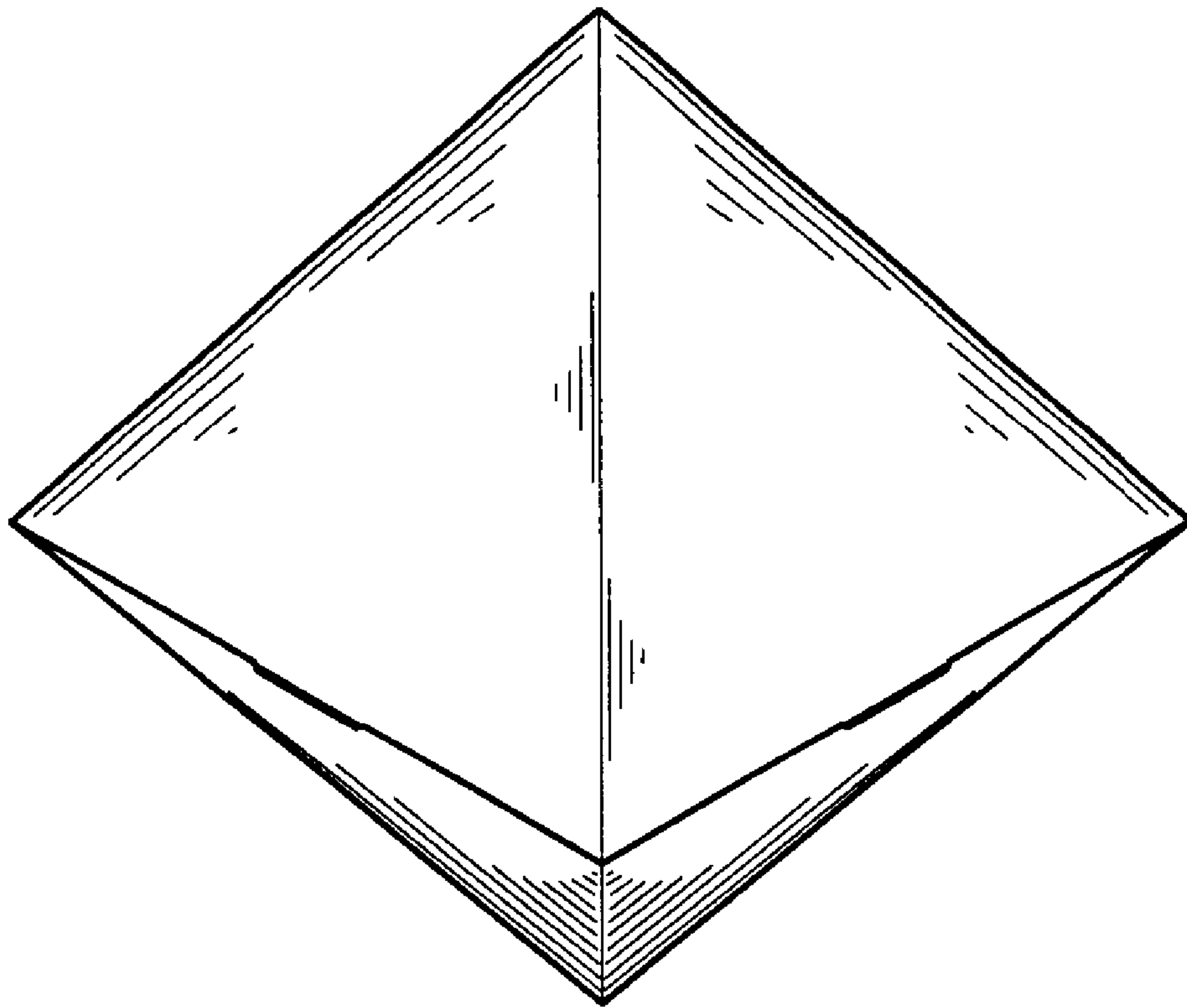


Fig. 7

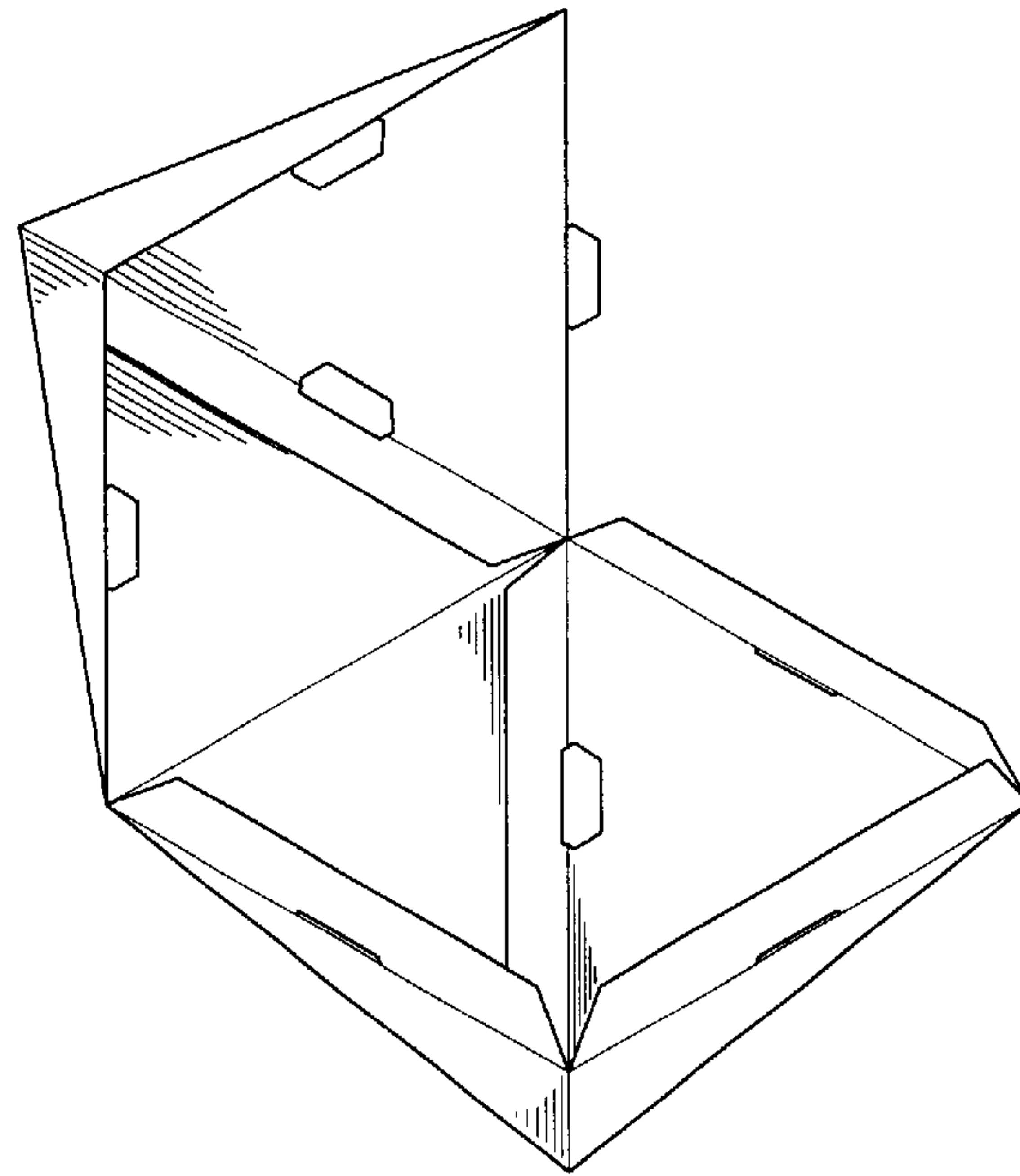
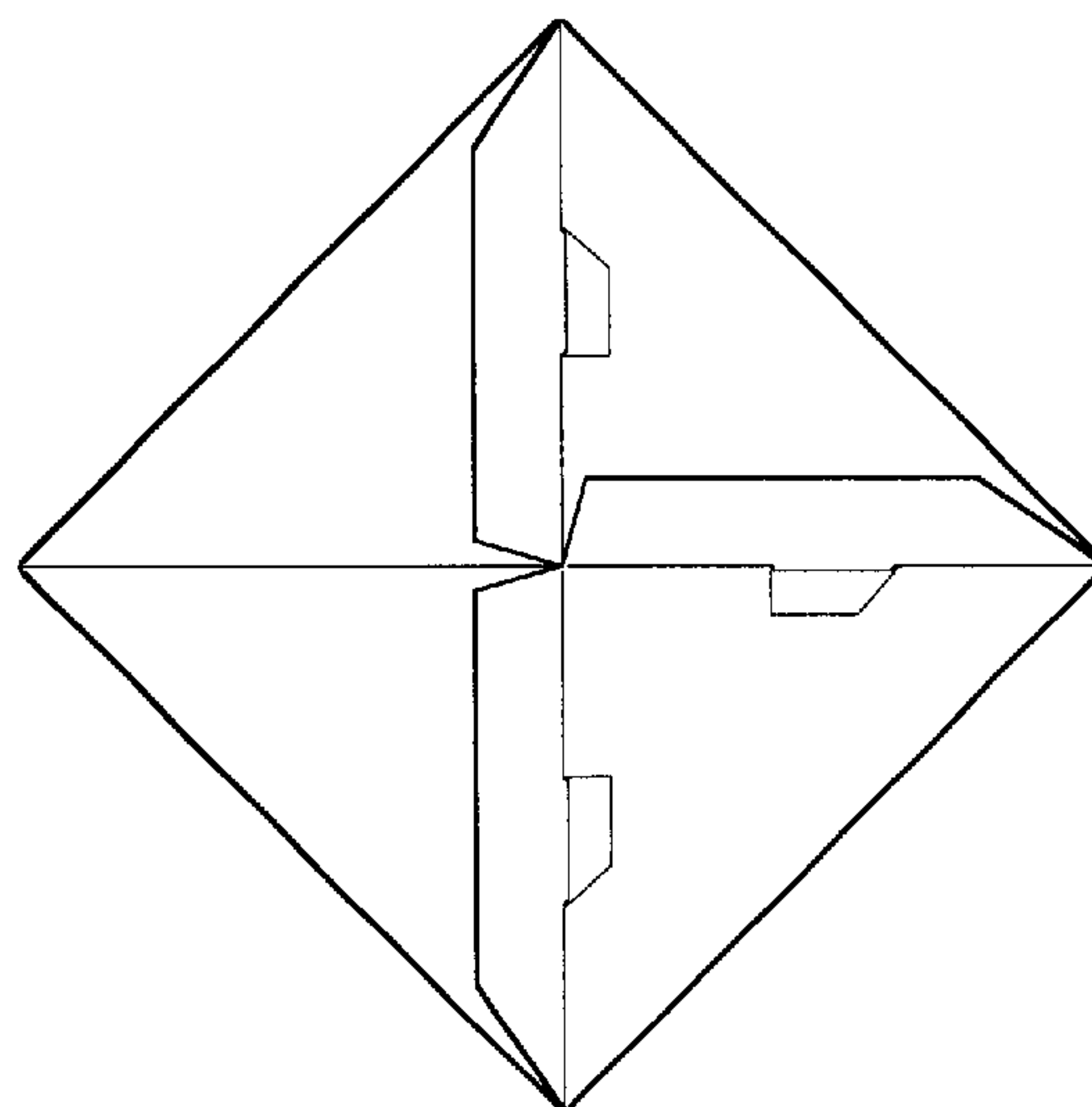


Fig. 8



9-9

Fig. 9