

US00D498135S

(12) **United States Design Patent** (10) **Patent No.:** **US D498,135 S**
Rodrigue (45) **Date of Patent:** **** Nov. 9, 2004**

(54) **LATERAL HOOK MERCHANDISING BAR AND DISPLAY STRIP**

(75) Inventor: **Michael Rodrigue**, Rancho Cucamonga, CA (US)

(73) Assignee: **Bradshaw International, Inc.**, Rancho Cucamonga, CA (US)

(**) Term: **14 Years**

(21) Appl. No.: **29/191,309**

(22) Filed: **Oct. 7, 2003**

Related U.S. Application Data

(62) Division of application No. 29/156,774, filed on Mar. 8, 2003, now Pat. No. Des. 485,157.

(51) **LOC (7) Cl.** **08-05**

(52) **U.S. Cl.** **D8/372; D6/323**

(58) **Field of Search** D8/372, 367, 370; 248/302-304, 558, 309.2, 200; 211/106.01, 113, 123, 118, 67.01; D6/566, 320, 569, 513, 323

(56) **References Cited**

U.S. PATENT DOCUMENTS

| | | |
|-------------|---------|----------|
| 177,936 A | 5/1876 | Haines |
| 565,525 A | 8/1896 | Tucker |
| D43,289 S | 11/1912 | Sternau |
| 1,998,243 A | 4/1935 | Krueger |
| 3,411,633 A | 11/1968 | Magnuson |
| 4,264,013 A | 4/1981 | Vollmer |

| | | |
|-------------|----------|--------------------------|
| 4,372,450 A | 2/1983 | Licari et al. |
| D291,031 S | 7/1987 | Luongo |
| D291,154 S | 8/1987 | Owen |
| 4,834,248 A | 5/1989 | Lee |
| D348,165 S | 6/1994 | Walaski |
| D355,841 S | 2/1995 | Goodman et al. |
| D378,252 S | 3/1997 | Smith |
| D390,013 S | * 2/1998 | Ho D6/323 |
| D411,701 S | * 6/1999 | Klein et al. D6/513 |
| D423,269 S | 4/2000 | Laga et al. |

* cited by examiner

Primary Examiner—Pamela Burgess

(74) *Attorney, Agent, or Firm*—Birch, Stewart, Kolasch & Birch, LLP

(57) **CLAIM**

The ornamental design for a lateral hook merchandising bar and display strip, as shown and described.

DESCRIPTION

FIG. 1 is a front, right perspective view of the lateral hook merchandising bar and display strip showing my new design with the lateral hook merchandising bar detached from the display strip;

FIG. 2 is a front, right perspective view of the lateral hook merchandising bar and display strip of FIG. 1 with the lateral hook merchandising bar attached to the display strip;

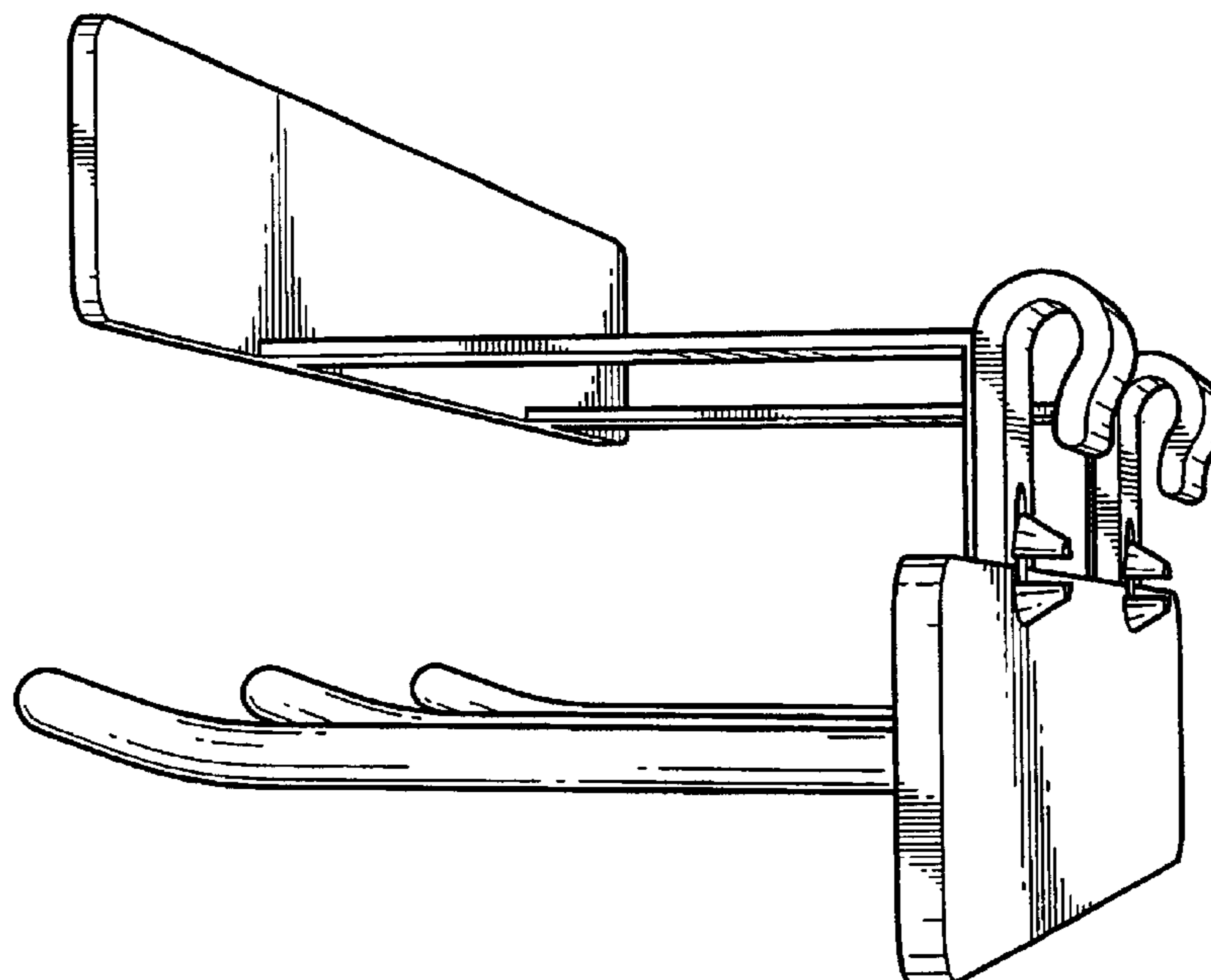
FIG. 3 a bottom plan view of FIG. 2;

FIG. 4 is a top plan view thereof; and,

FIG. 5 is a rear, right perspective view thereof.

The back views are substantially flat and unornamented.

1 Claim, 5 Drawing Sheets



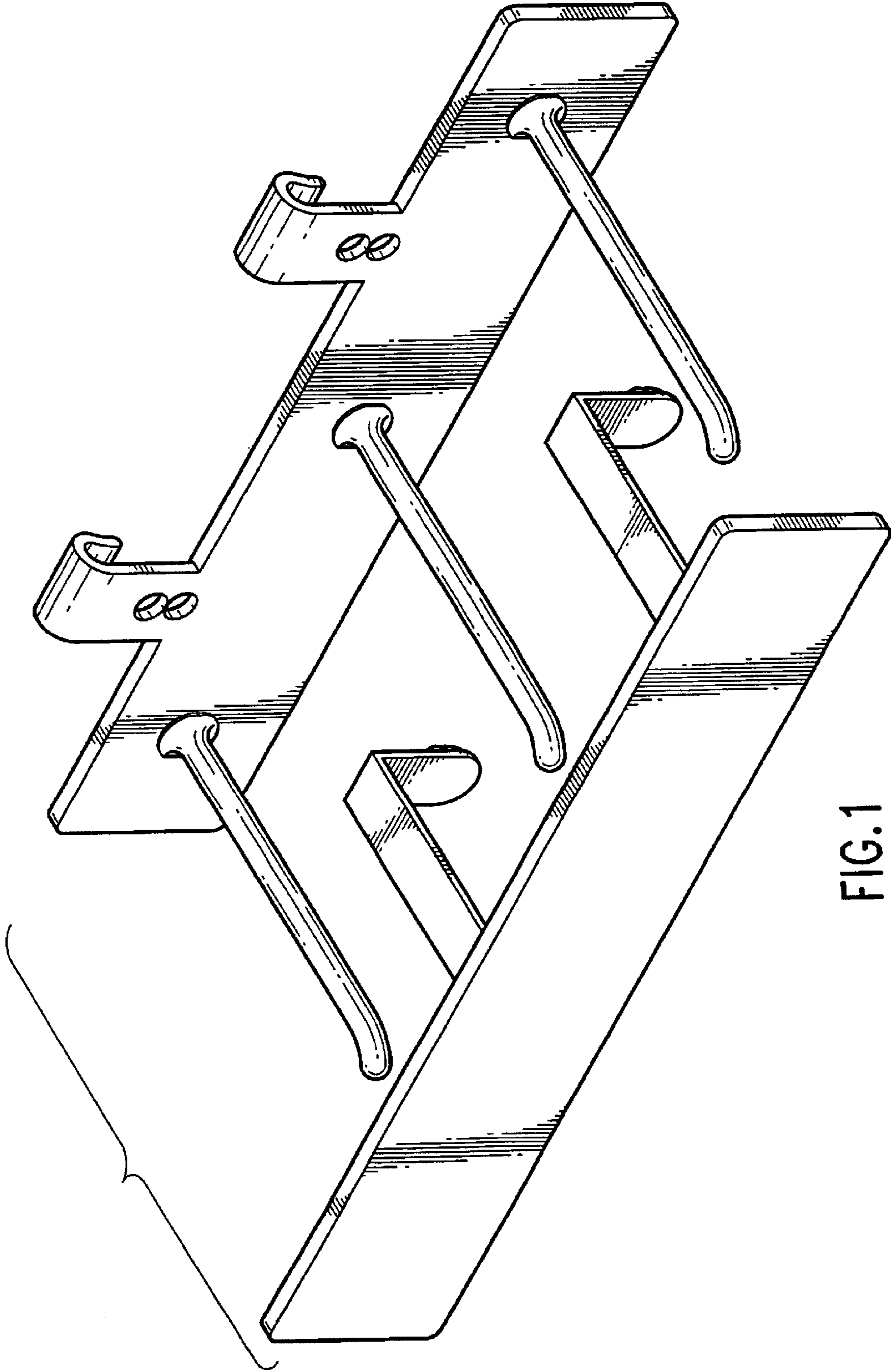


FIG. 1

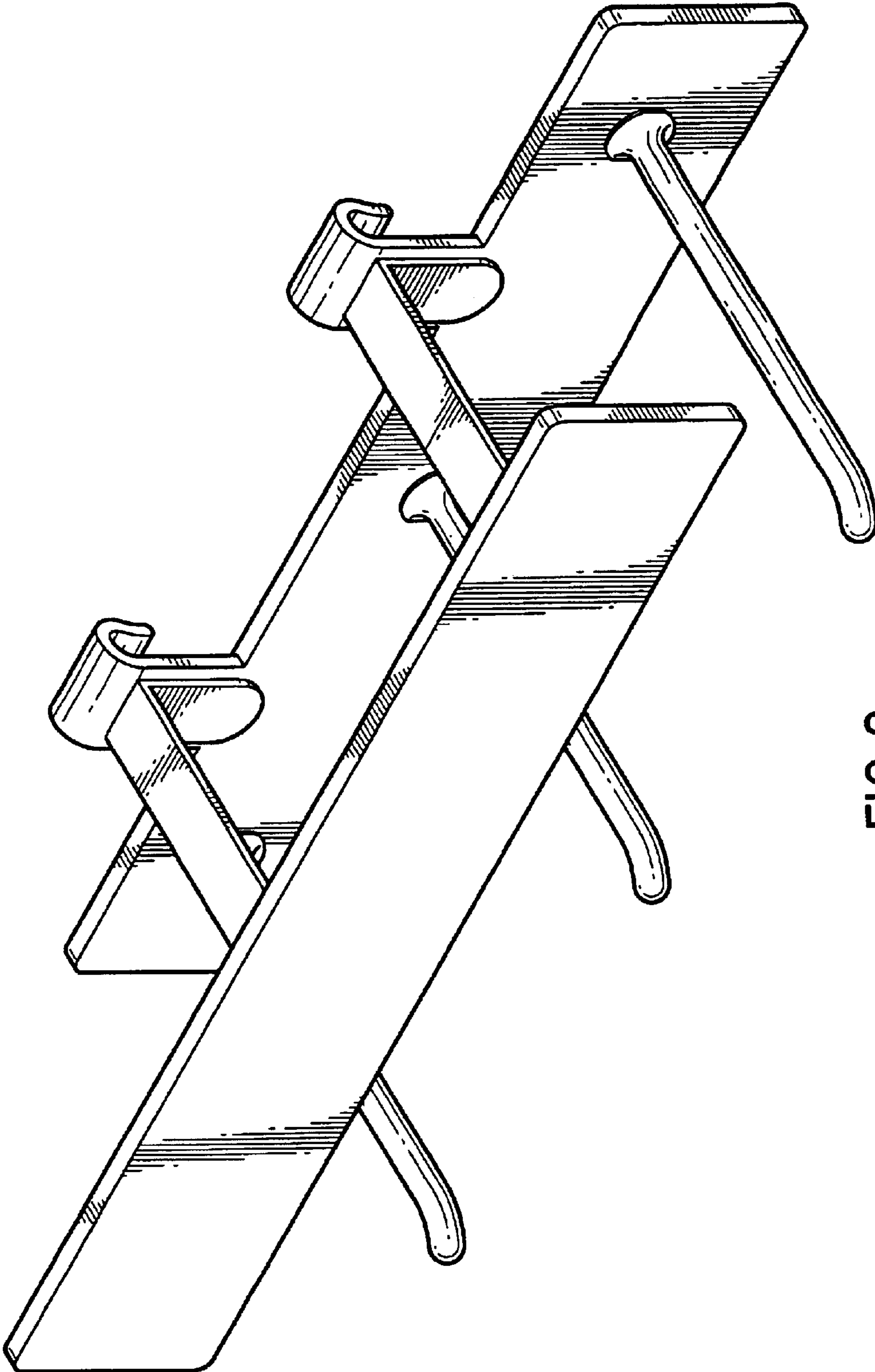


FIG.2

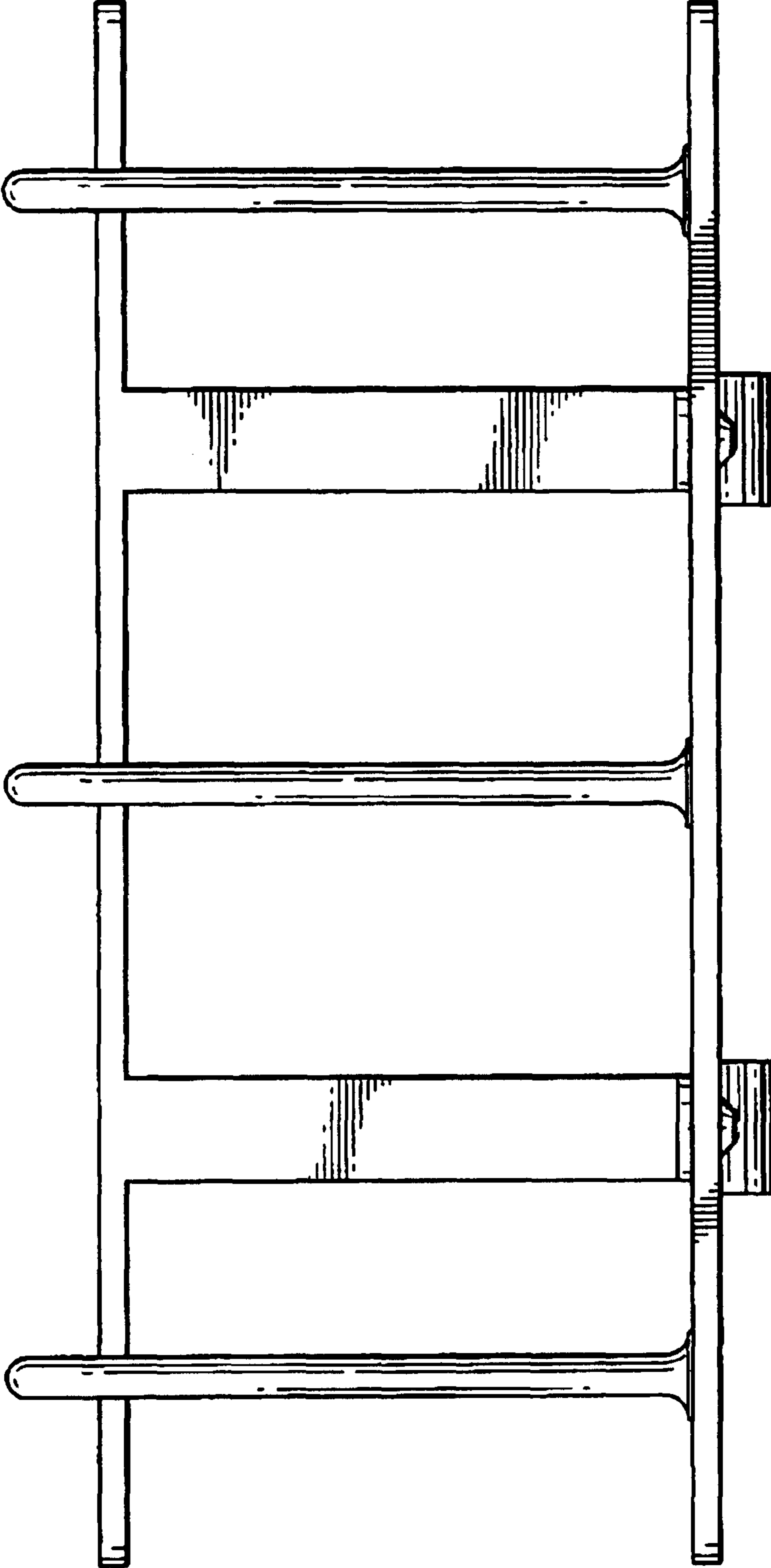


FIG. 3

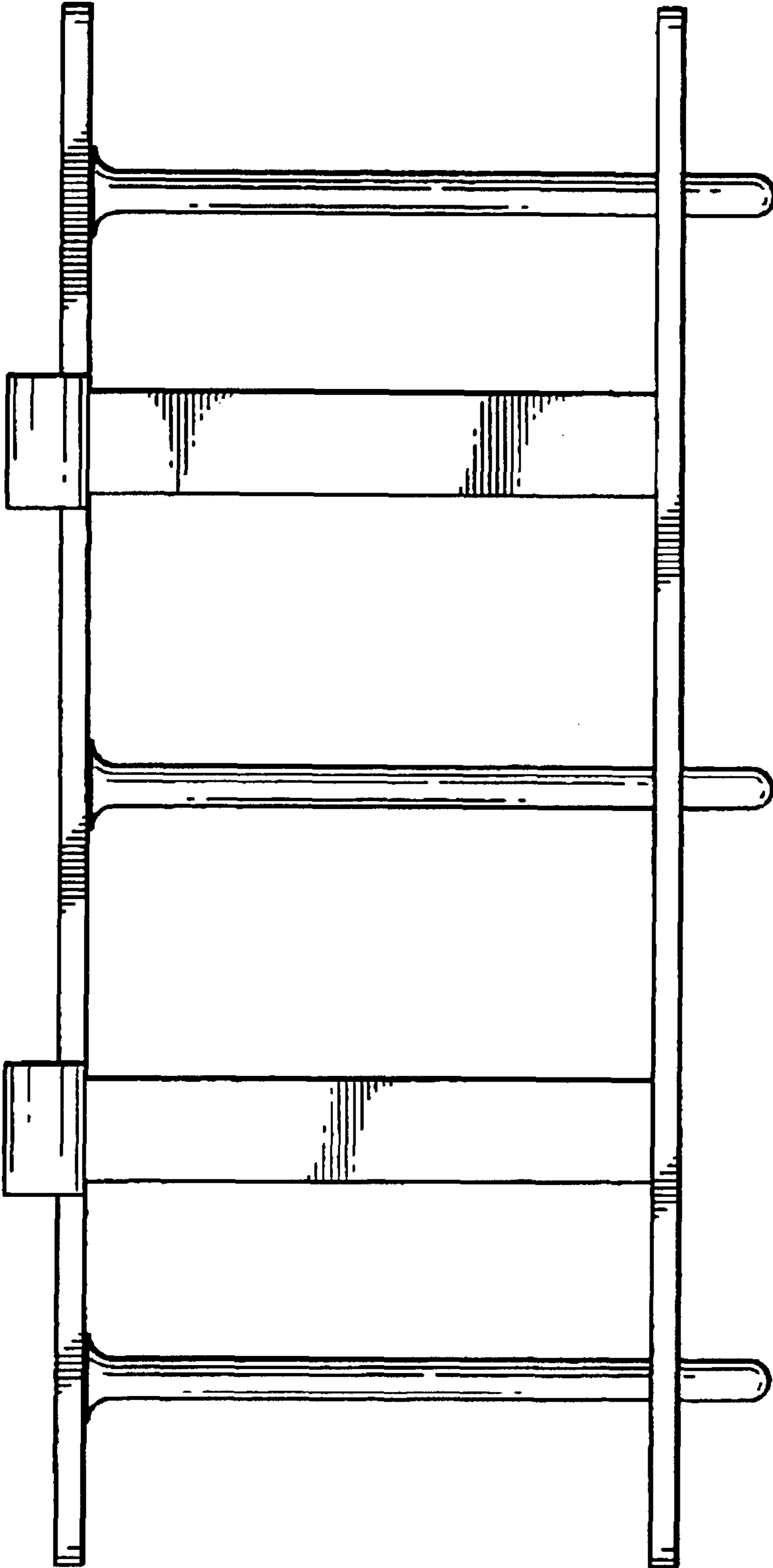


FIG.4

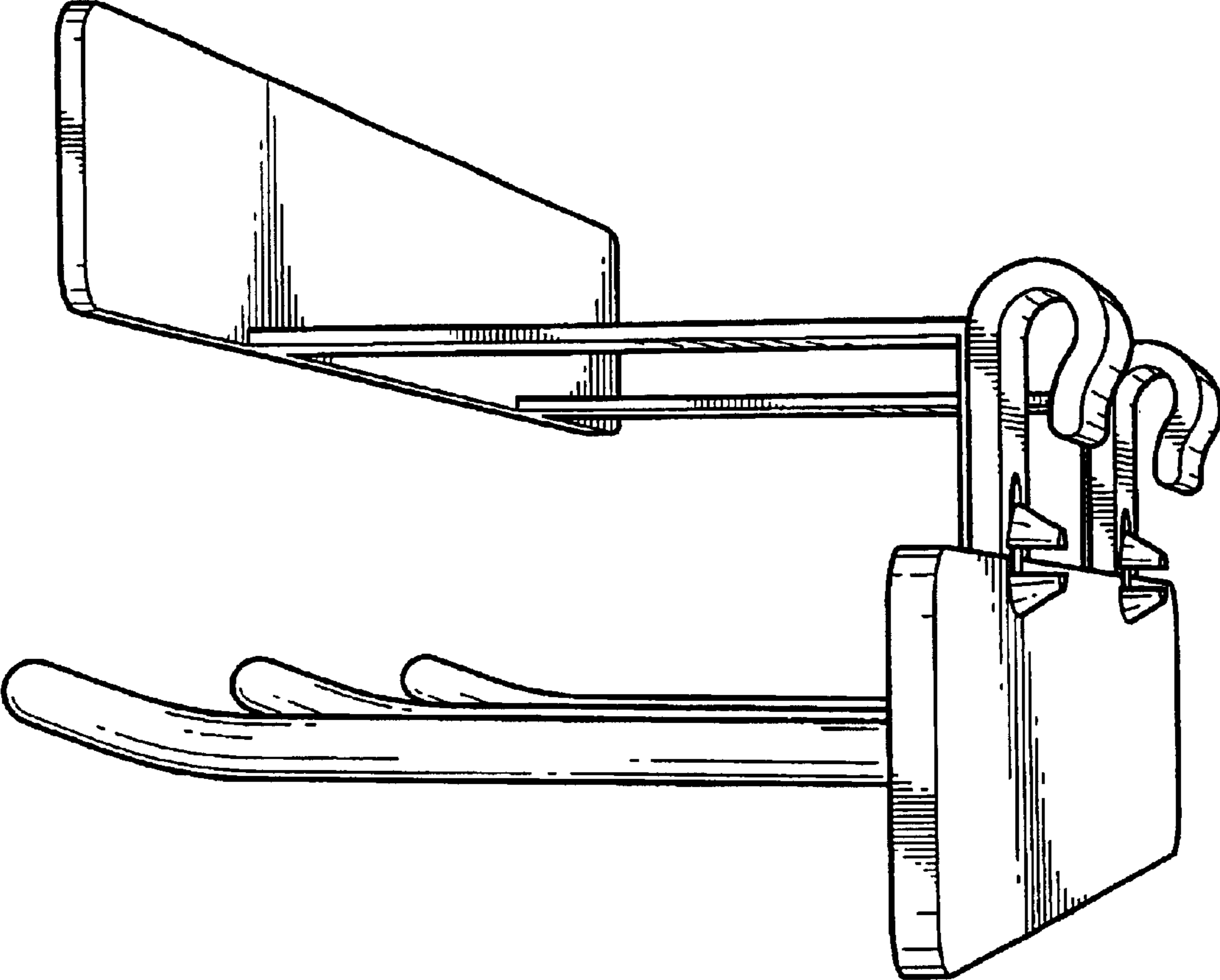


FIG. 5