

US00D498134S

(12) **United States Design Patent**
Fujiwara

(10) **Patent No.:** **US D498,134 S**
(45) **Date of Patent:** **** Nov. 9, 2004**

(54) **RUBBER VIBRATION INSULATOR**

(75) Inventor: **Nobuhiro Fujiwara**, Chuo-ku (JP)

(73) Assignee: **Bridgestone Corporation**, Tokyo (JP)

(**) Term: **14 Years**

(21) Appl. No.: **29/186,875**

(22) Filed: **Jul. 24, 2003**

(30) **Foreign Application Priority Data**

Jan. 28, 2003 (JP) 2003-001856

(51) **LOC (7) Cl.** **08-05**

(52) **U.S. Cl.** **D8/354**

(58) **Field of Search** D8/349, 354, 360,
D8/394, 395, 396; D15/138; 180/300; 248/562,
573, 634, 635, 636, 638, 659; 267/35, 140,
140.11, 140.12, 140.13, 141, 153; 384/536

(56) **References Cited**

U.S. PATENT DOCUMENTS

1,977,896	A	*	10/1934	Saurer	248/635
2,787,914	A	*	4/1957	Nelson	474/168
3,838,850	A	*	10/1974	Chorkey	267/141
4,632,372	A	*	12/1986	Nakajima et al.	267/140.11
4,669,711	A	*	6/1987	Beer	267/140.13
4,767,105	A	*	8/1988	Caspers	267/140
D333,606	S	*	3/1993	Kanemitsu et al.	D8/360

D372,662	S	*	8/1996	Atkinson	D8/354
D392,547	S	*	3/1998	Nakamura	D8/356
D403,949	S	*	1/1999	Nakamura	D8/356
6,616,130	B2	*	9/2003	Hokazono et al.	267/141.1
2001/0019099	A1	*	9/2001	Okanaka et al.	248/562
2003/0151250	A1	*	8/2003	Miura et al.	285/62

* cited by examiner

Primary Examiner—James Gandy

Assistant Examiner—Elizabeth Albert

(74) *Attorney, Agent, or Firm*—Sughrue Mion, PLLC

(57) **CLAIM**

The ornamental design for a rubber vibration insulator, as shown and described.

DESCRIPTION

FIG. 1 is a perspective view of the top, front and right side a rubber vibration insulator showing my new design;
 FIG. 2 is a top plan view thereof;
 FIG. 3 is a front elevational view thereof, the rear elevational view being identical thereto;
 FIG. 4 is a bottom plan view thereof;
 FIG. 5 is a left side elevational view thereof, the right side elevational view being identical thereto; and,
 FIG. 6 is a cross sectional view with the thick line illustration indicating rubber parts taken along the lin “6—6” in FIG. 2.

1 Claim, 6 Drawing Sheets

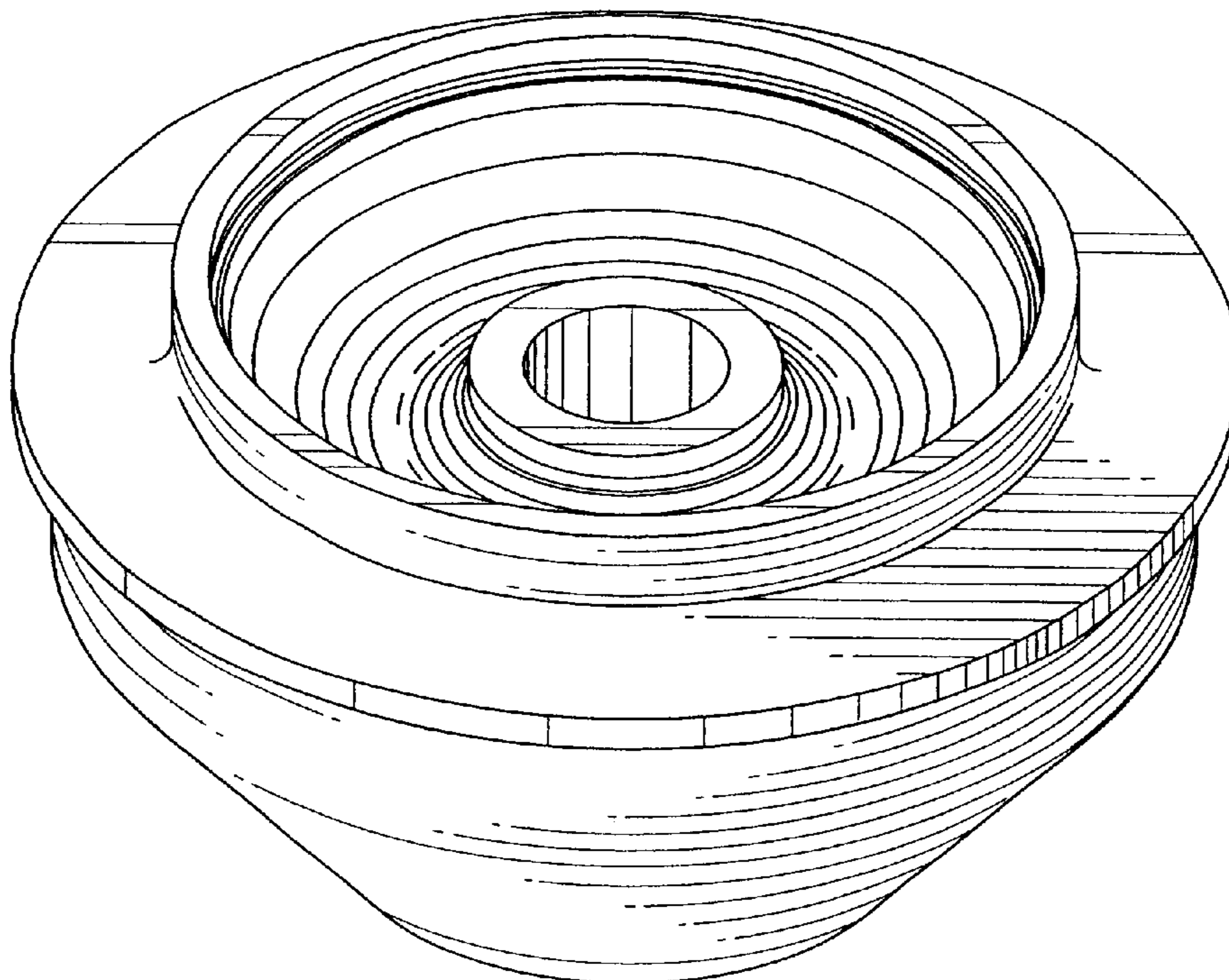


Fig. 1

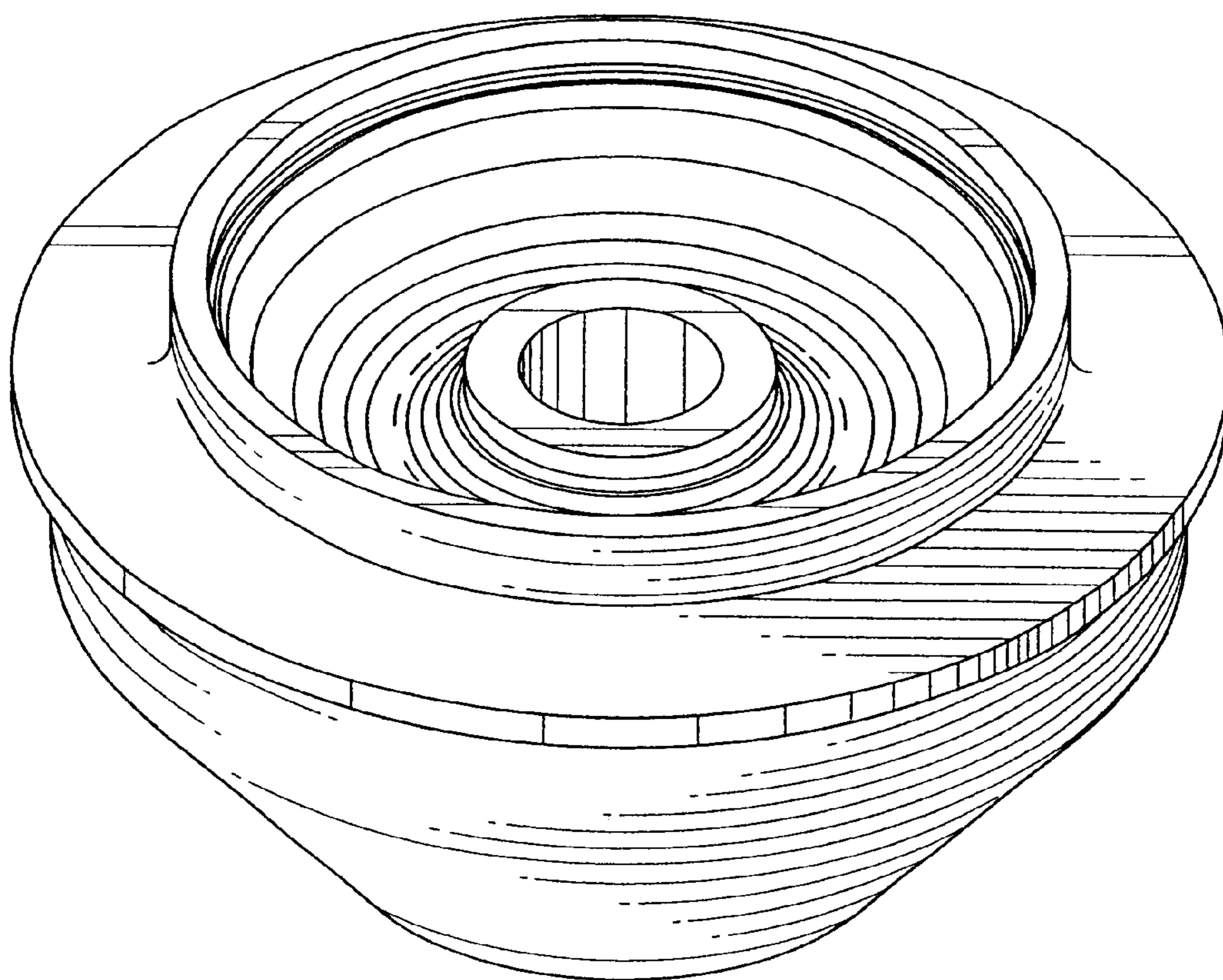


Fig.2

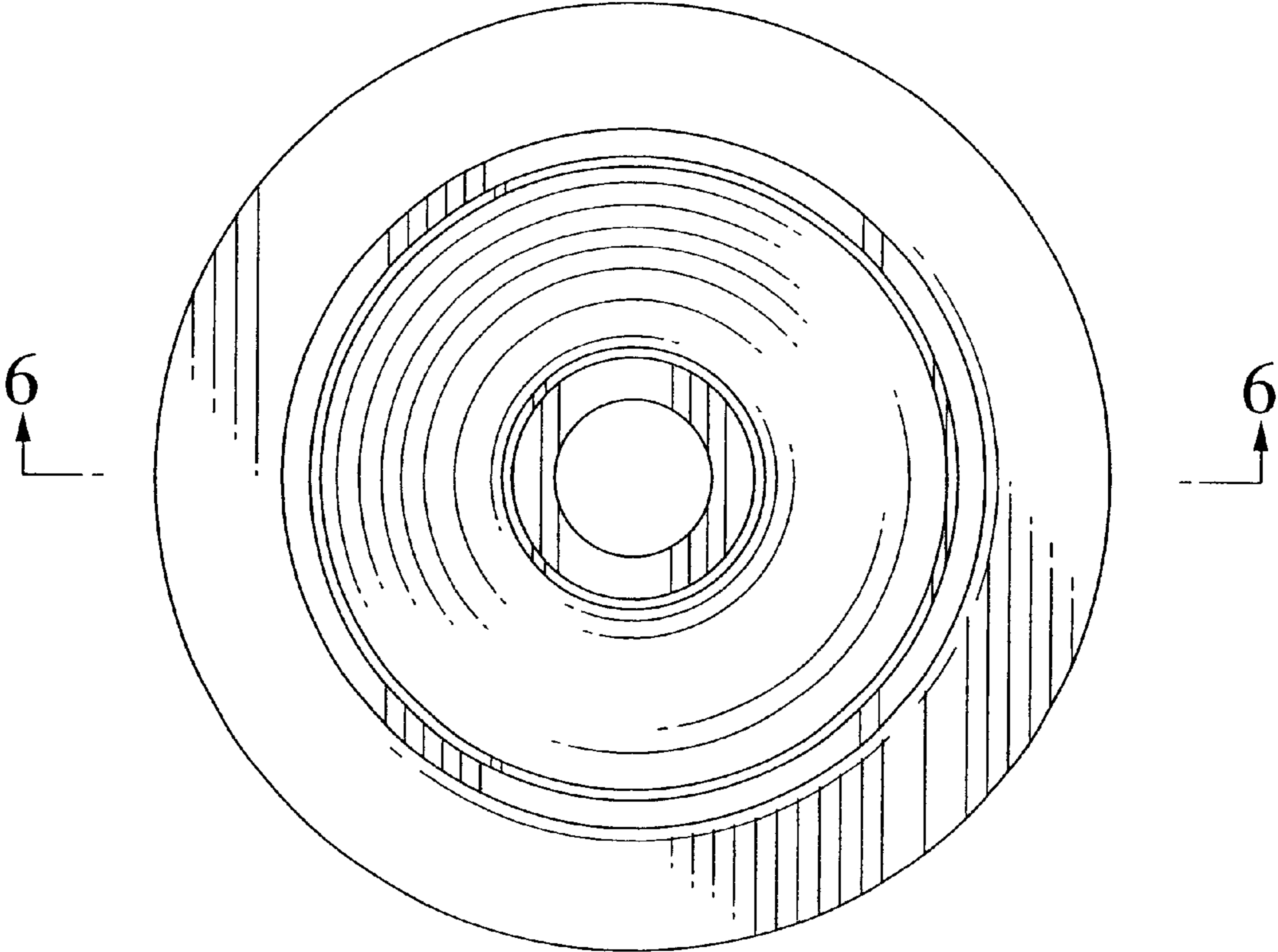


Fig.3

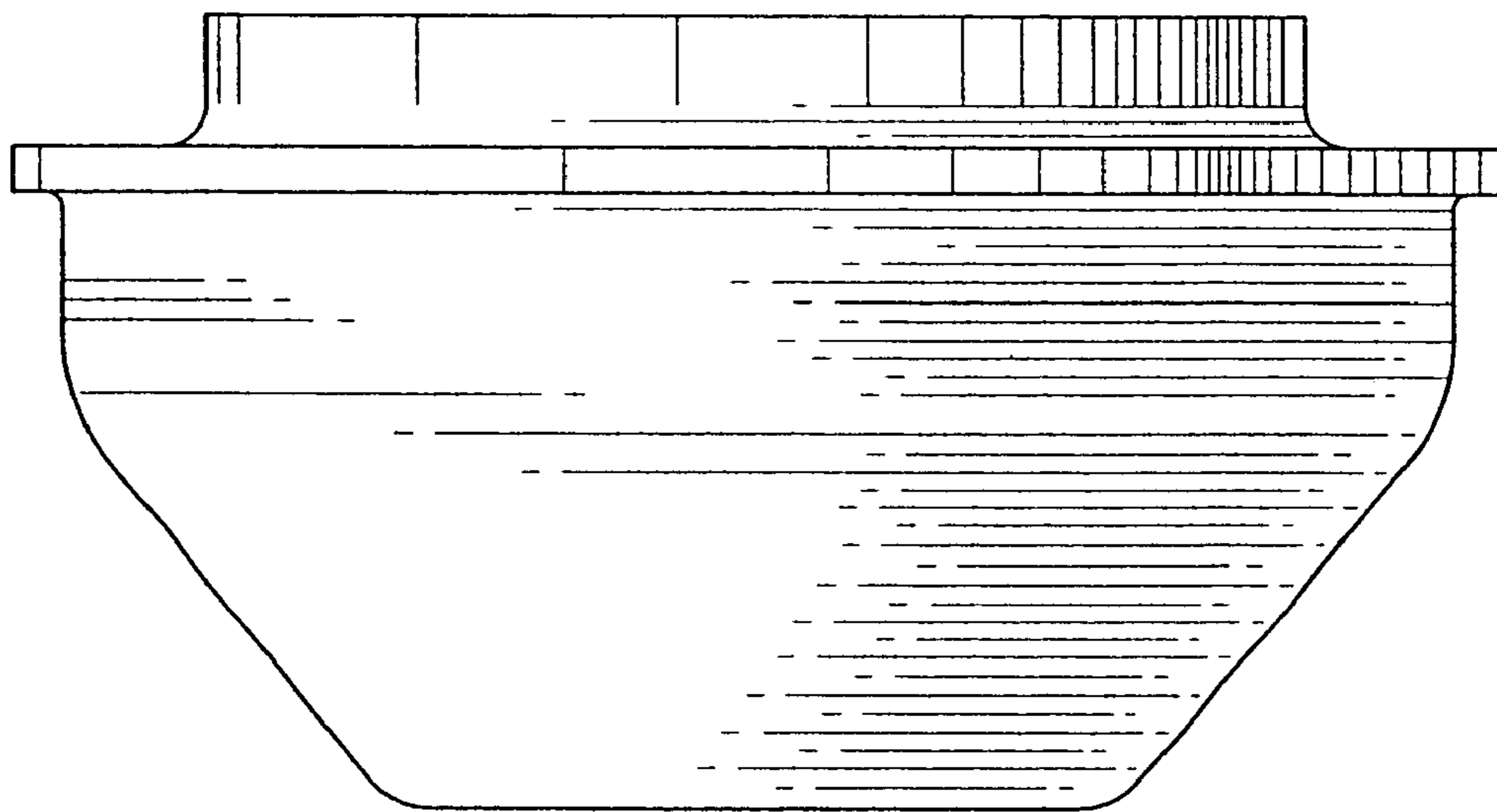


Fig.4

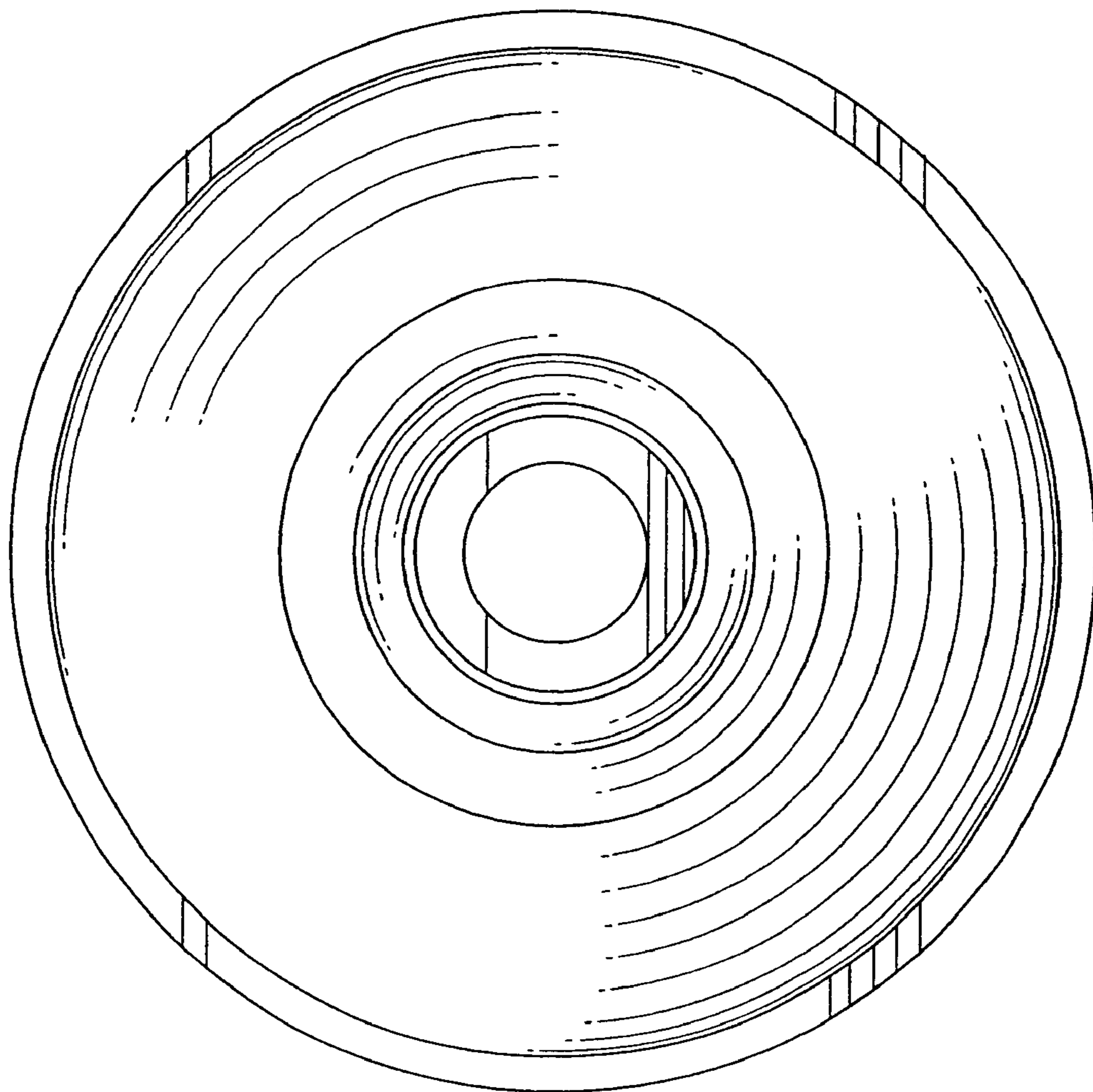


Fig.5

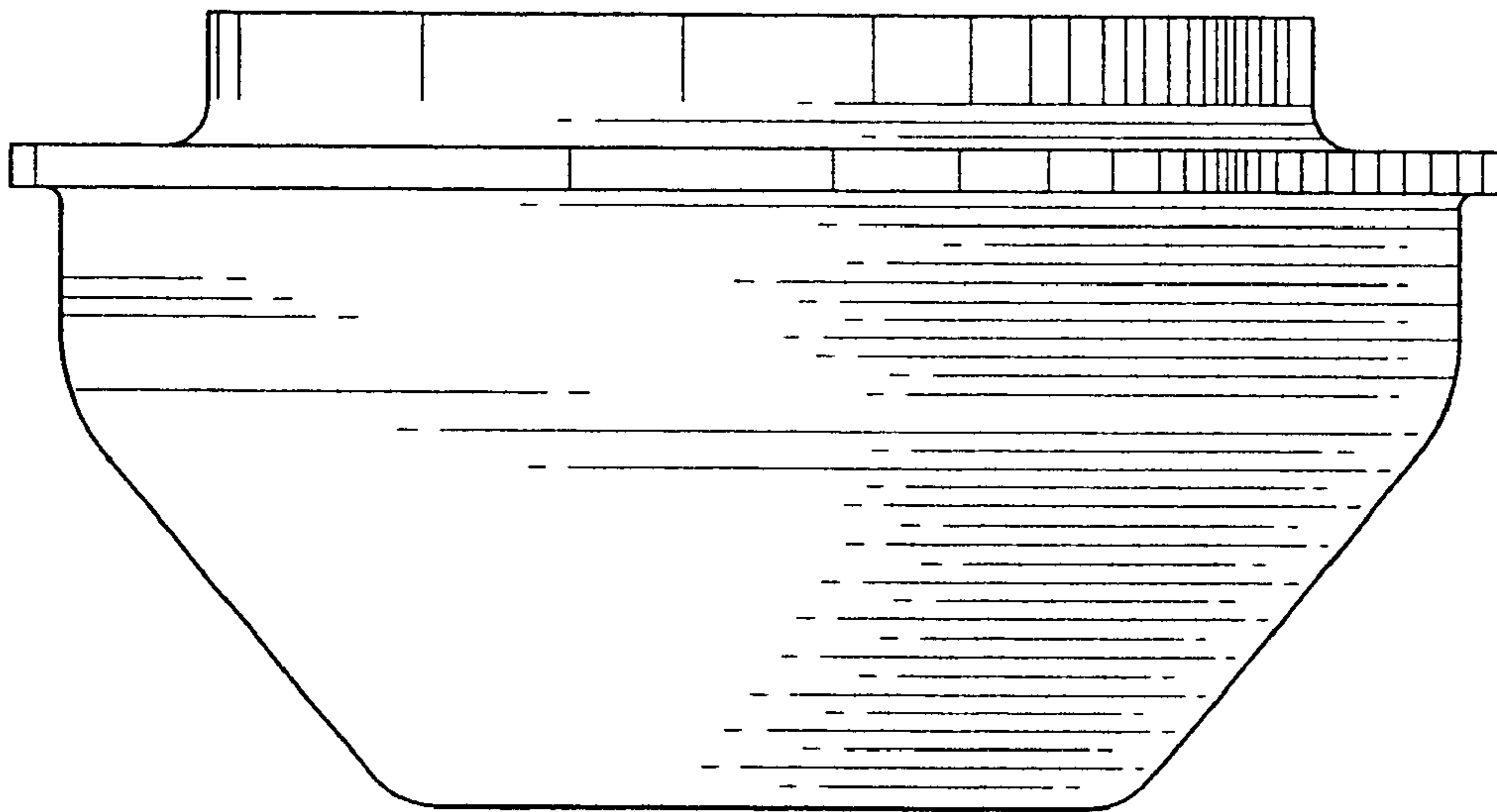


Fig.6

