

US00D498133S

(12) **United States Design Patent**  
**Sargent**

(10) **Patent No.:** **US D498,133 S**

(45) **Date of Patent:** **\*\* Nov. 9, 2004**

(54) **BASE FOR A PIPE SUPPORTING DEVICE**

6,502,791 B2 \* 1/2003 Parker ..... 248/70

6,520,456 B1 2/2003 Neider et al.

6,592,093 B2 \* 7/2003 Valentz ..... 248/346.01

(75) **Inventor:** **Nathan M. Sargent**, Coalville, UT  
(US)

**OTHER PUBLICATIONS**

(73) **Assignee:** **Miro Industries, Inc.**, Sandy, UT (US)

Co-pending U.S. Design patent application Ser. No. 29/171,  
260 filed Nov. 18, 2002, Neider et al.

(\*\*) **Term:** **14 Years**

Co-pending U.S. Design patent application Ser. No. 29/175,  
211 filed Jan. 31, 2003, Neider et al.

(21) **Appl. No.:** **29/176,163**

Co-pending U.S. Design patent application Ser. No. 29/178,  
222 filed Mar. 20, 2003, Neider et al.

(22) **Filed:** **Feb. 18, 2003**

(51) **LOC (7) Cl.** ..... **08-05**

\* cited by examiner

(52) **U.S. Cl.** ..... **D8/354**

*Primary Examiner*—Joel Sincavage

(58) **Field of Search** ..... D8/349, 354, 355,  
D8/356, 373, 380, 382; 211/22; 248/49,  
55, 58, 65, 188.1, 310, 346.01, 346.02,  
346.03, 346.04, 346.05, 405, 406.1, 519,  
523, 529, 676, 677, 678, 903

*Assistant Examiner*—Elizabeth Albert

(74) *Attorney, Agent, or Firm*—Kenneth E. Horton; Kirton  
& McConkie

(56) **References Cited**

(57) **CLAIM**

The ornamental design for a base for a pipe supporting  
device, as shown and described.

**U.S. PATENT DOCUMENTS**

**DESCRIPTION**

D427,049 S	6/2000	Neider et al.	
6,076,778 A	* 6/2000	Brown	248/49
D433,615 S	11/2000	Neider et al.	
D436,522 S	1/2001	Neider et al.	
6,364,256 B1	4/2002	Neider et al.	
D463,250 S	* 9/2002	Valentz	D8/349
D466,393 S	12/2002	Neider et al.	
D466,394 S	12/2002	Neider et al.	

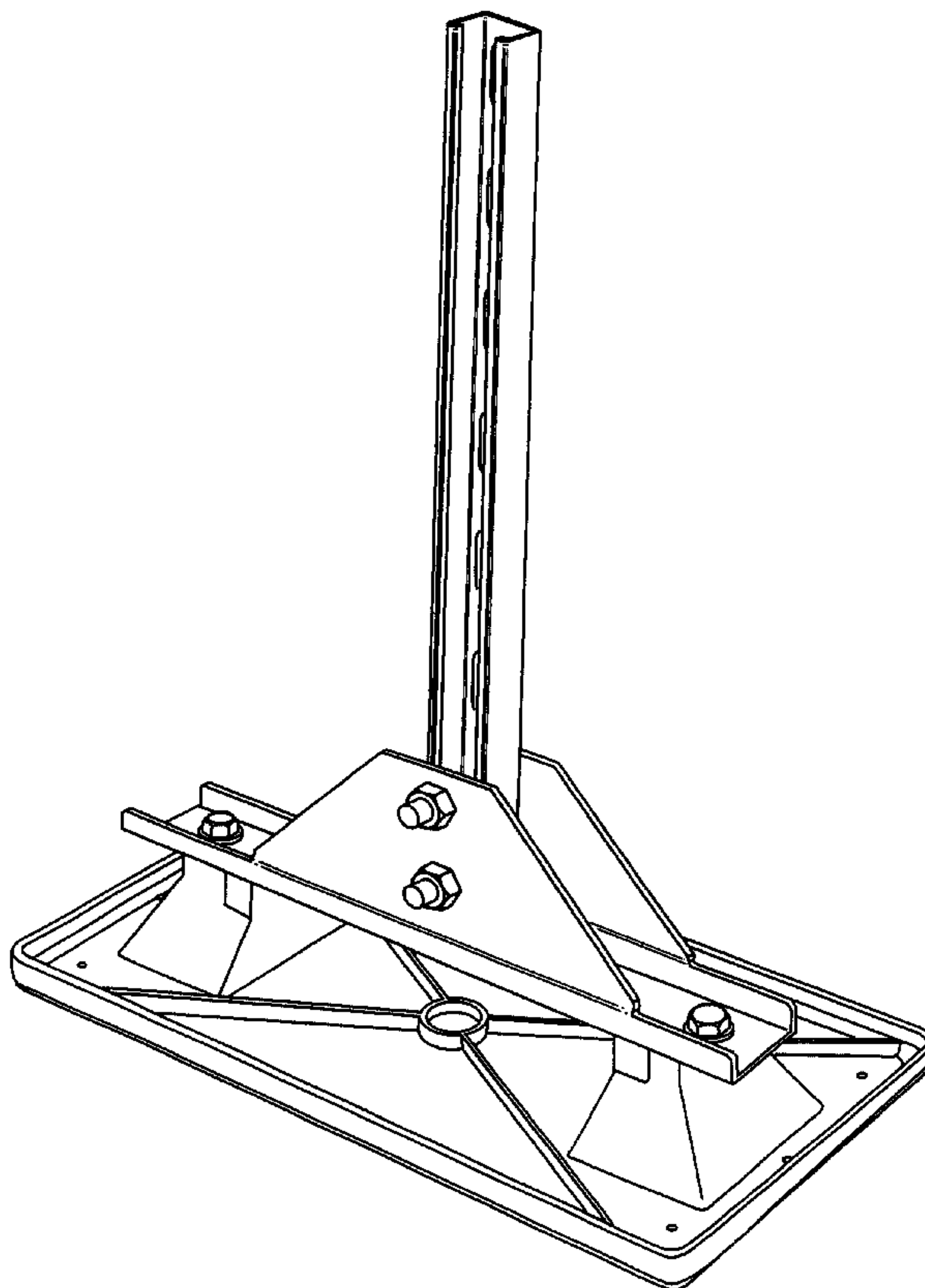
FIG. 1 is a front view showing our design, which is also  
shown in FIGS. 2-4;

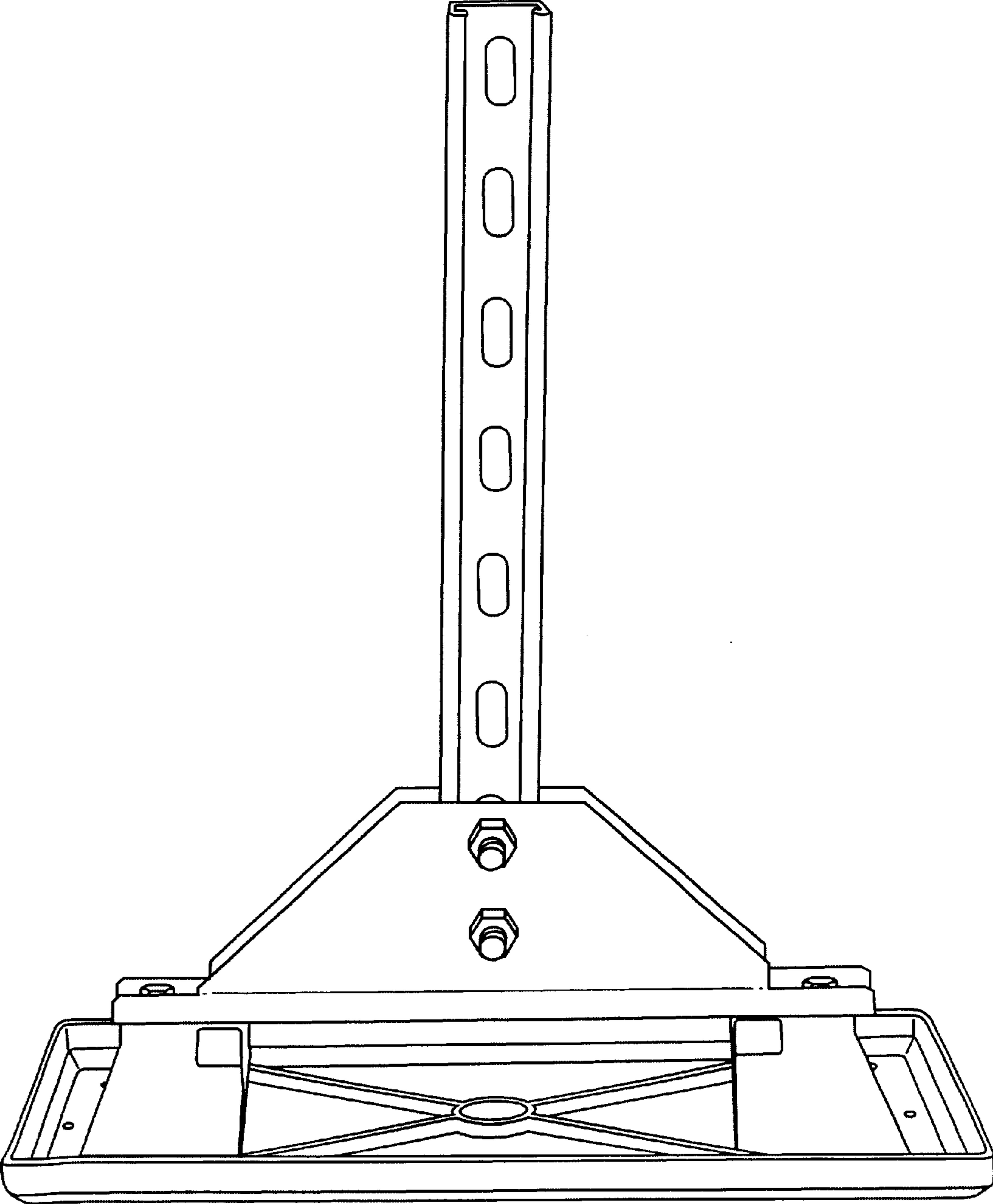
FIG. 2 is an angled view;

FIG. 3 is a top view; and,

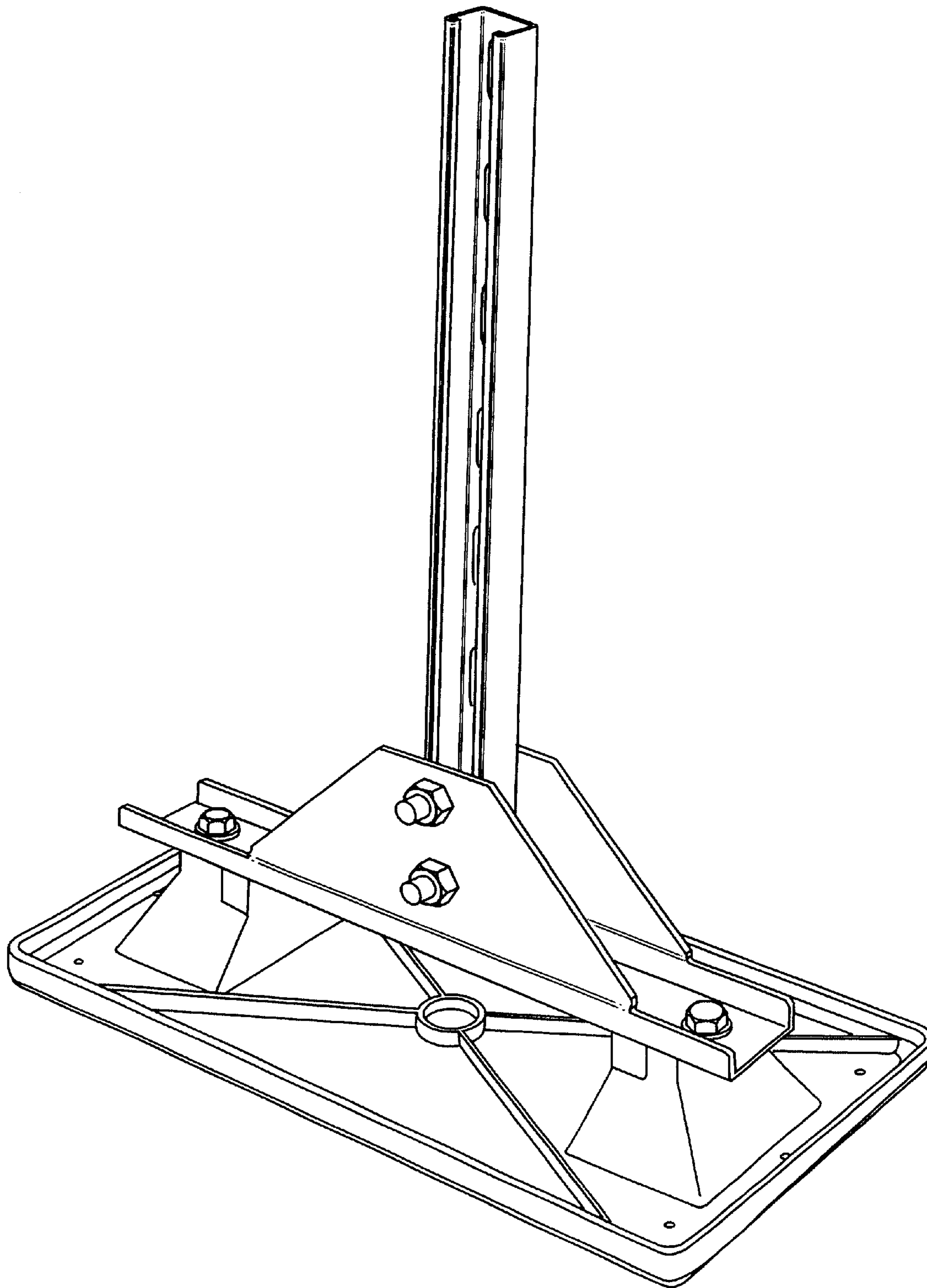
FIG. 4 is a side view.

**1 Claim, 4 Drawing Sheets**





**Fig. 1**



**Fig. 2**

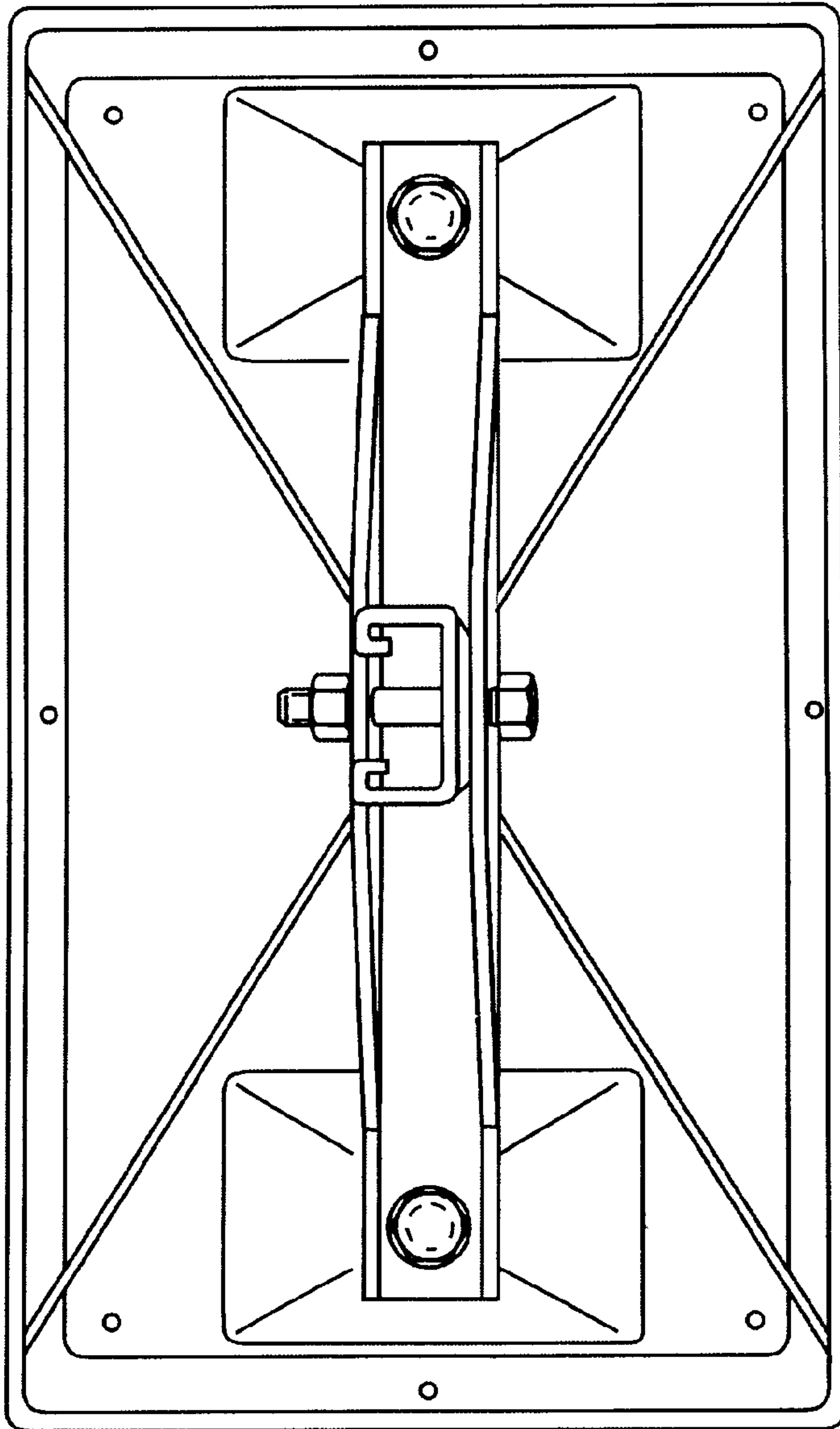
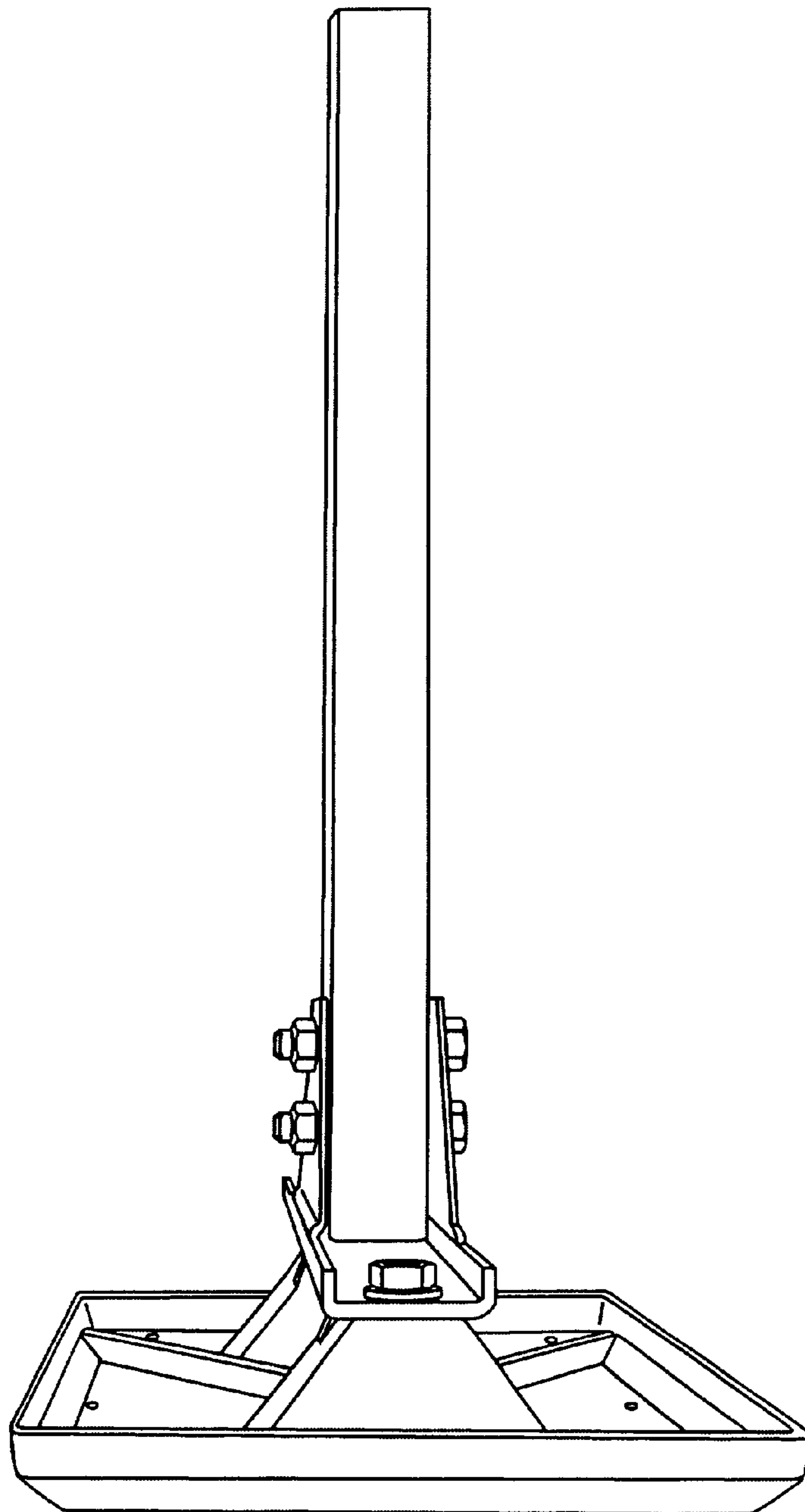


Fig. 3



**Fig. 4**