



US00D498131S

(12) **United States Design Patent** (10) **Patent No.:** **US D498,131 S**  
**Peacock et al.** (45) **Date of Patent:** **\*\* Nov. 9, 2004**

- (54) **MANHOLE LIFT INSERT WITH FRANGIBLE POSITIONER**
- (75) Inventors: **Bobbie Don Peacock**, Peachtree City, GA (US); **Charles McInvale**, Tyrone, GA (US)
- (73) Assignee: **M.A. Industries, Inc.**, Peachtree City, GA (US)
- (\*\*) Term: **14 Years**
- (21) Appl. No.: **29/185,527**
- (22) Filed: **Jun. 26, 2003**
- (51) **LOC (7) Cl.** ..... **08-07**
- (52) **U.S. Cl.** ..... **D8/331**
- (58) **Field of Search** ..... D8/330, 331, 339, D8/341, 337, 338, 336, 307, 347, 29; 70/232, 346, 404, 259; 411/137, 110

- (56) **References Cited**  
U.S. PATENT DOCUMENTS  
3,930,428 A \* 1/1976 Hale ..... 81/124.6  
D298,605 S \* 11/1988 Colgan et al. .... D8/382  
(List continued on next page.)

*Primary Examiner*—Paula A. Greene  
(74) *Attorney, Agent, or Firm*—Kilpatrick Stockton; John S. Pratt; Michael J. Turton

(57) **CLAIM**

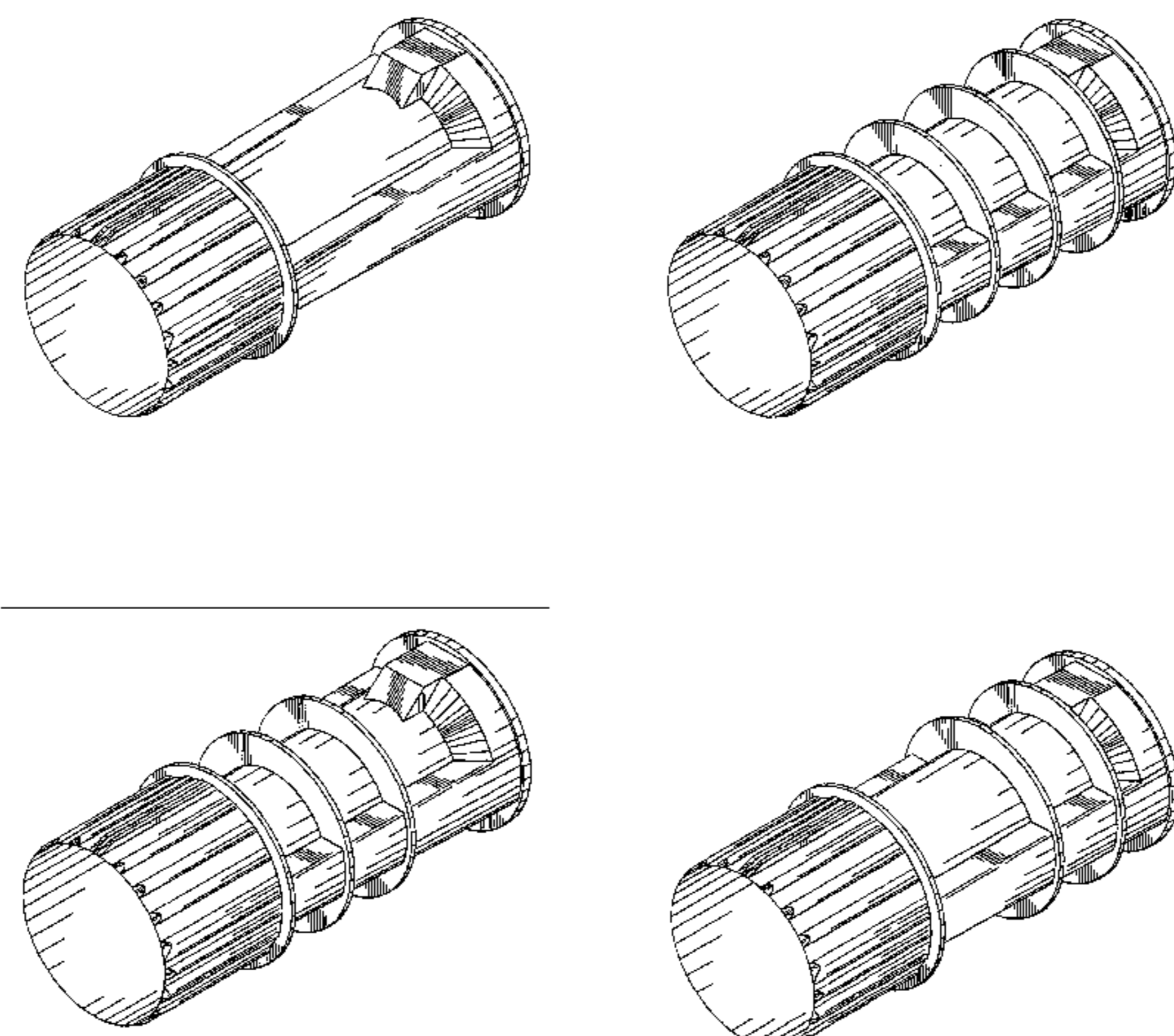
The ornamental design for a manhole lift insert with frangible positioner, as shown and described.

**DESCRIPTION**

FIG. 1 is a perspective view of the manhole lift insert with frangible positioner of this invention.  
 FIG. 2 is a front view of the manhole lift insert with frangible positioner shown in FIG. 1.  
 FIG. 3 is a right side view of the manhole lift insert with frangible positioner shown in FIG. 1.  
 FIG. 4 is a rear view of the manhole lift insert with frangible positioner shown in FIG. 1.  
 FIG. 5 is a left side view of the manhole lift insert with frangible positioner shown in FIG. 1.  
 FIG. 6 is a top plan view of the manhole lift insert with frangible positioner shown in FIG. 1.  
 FIG. 7 is a bottom plan view of the manhole lift insert with frangible positioner shown in FIG. 1.

FIG. 8 is a perspective view of an alternative embodiment of the manhole lift insert with frangible positioner of this invention. The front view of the alternative embodiment shown in FIG. 8 is the same as FIG. 2.  
 FIG. 9 is a right side view of the manhole lift insert with frangible positioner shown in FIG. 8.  
 FIG. 10 is a rear view of the manhole lift insert with frangible positioner shown in FIG. 8.  
 FIG. 11 is a left side view of the manhole lift insert with frangible positioner shown in FIG. 8.  
 FIG. 12 is a top plan view of the manhole lift insert with frangible positioner shown in FIG. 8.  
 FIG. 13 is a bottom plan view of the manhole lift insert with frangible positioner shown in FIG. 8.  
 FIG. 14 is a perspective view of an alternative embodiment of the manhole lift insert with frangible positioner of this invention. The front view of the alternative embodiment shown in FIG. 14 is the same as FIG. 2 and the rear view of the alternate embodiment shown in FIG. 14 is the same as FIG. 10.  
 FIG. 15 is a right side view of the manhole lift insert with frangible positioner shown in FIG. 14.  
 FIG. 16 is a left side view of the manhole lift insert with frangible positioner shown in FIG. 14.  
 FIG. 17 is a top plan view of the manhole lift insert with frangible positioner shown in FIG. 14.  
 FIG. 18 is a bottom plan view of the manhole lift insert with frangible positioner shown in FIG. 14.  
 FIG. 19 is a perspective view of an alternative embodiment of the manhole lift insert with frangible positioner of this invention. The front view of the alternative embodiment shown in FIG. 20 is the same as FIG. 2. The rear view of the alternate embodiment shown in FIG. 19 is the same as FIG. 10.  
 FIG. 20 is a right side view of the manhole lift insert with frangible positioner shown in FIG. 19.  
 FIG. 21 is a left side view of the manhole lift insert with frangible positioner shown in FIG. 19.  
 FIG. 22 is a top plan view of the manhole lift insert with frangible positioner shown in FIG. 19; and,  
 FIG. 23 is a bottom plan view of the manhole lift insert with frangible positioner shown in FIG. 19.

**1 Claim, 12 Drawing Sheets**



# US D498,131 S

Page 2

---

## U.S. PATENT DOCUMENTS

5,097,686	A	*	3/1992	Plumer	.....	70/232	D410,190	S	*	5/1999	Freck	.....	D8/331
D356,493	S	*	3/1995	Holzapfel et al.	.....	D8/397	D421,707	S	*	3/2000	Gregory	.....	D8/341
5,426,963	A	*	6/1995	Tafoya et al.	.....	70/259	D446,111	S	*	8/2001	Hussaini	.....	D8/397
D398,823	S	*	9/1998	Hsieh	.....	D8/29	D467,787	S	*	12/2002	Linares	.....	D8/331

\* cited by examiner

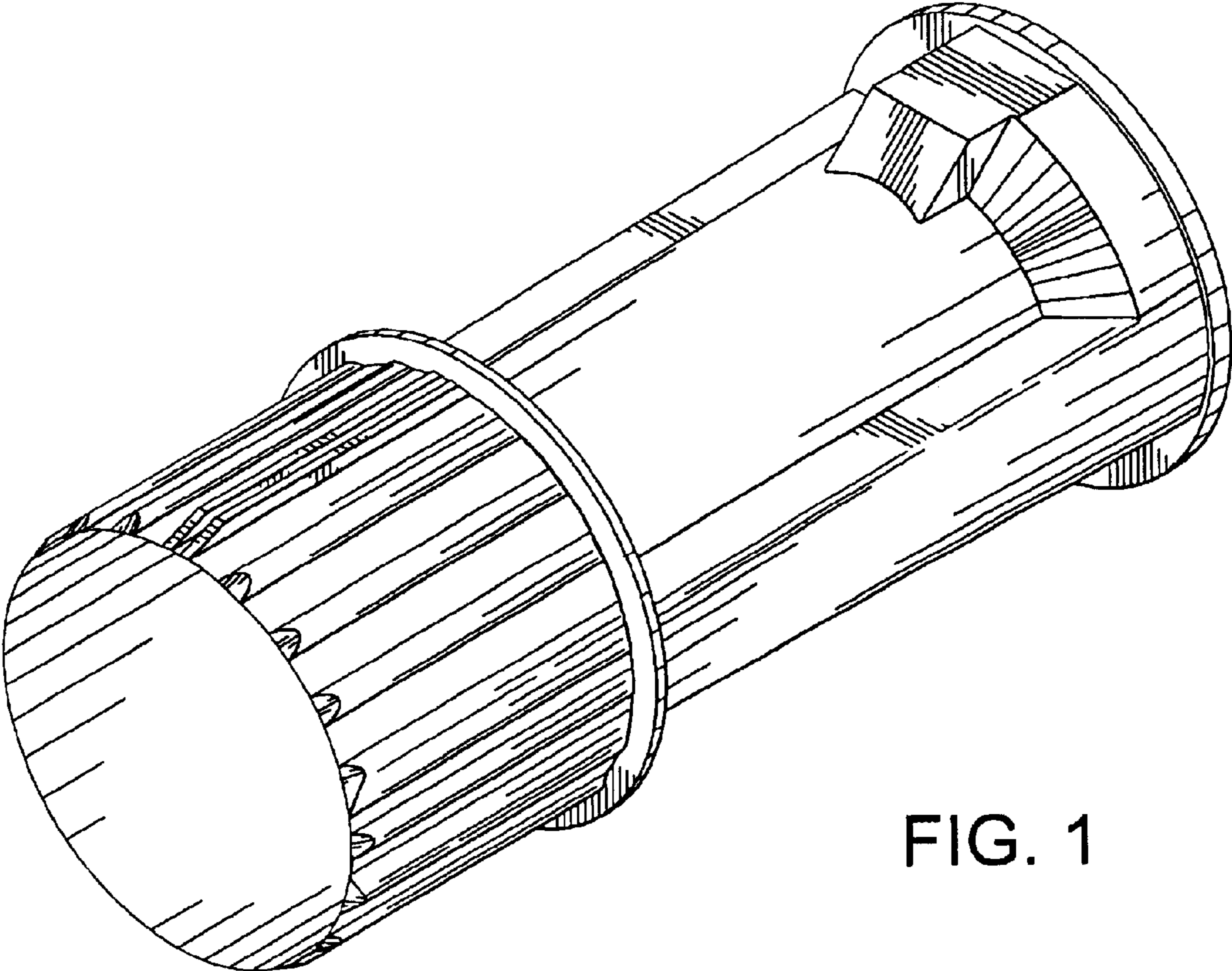


FIG. 1

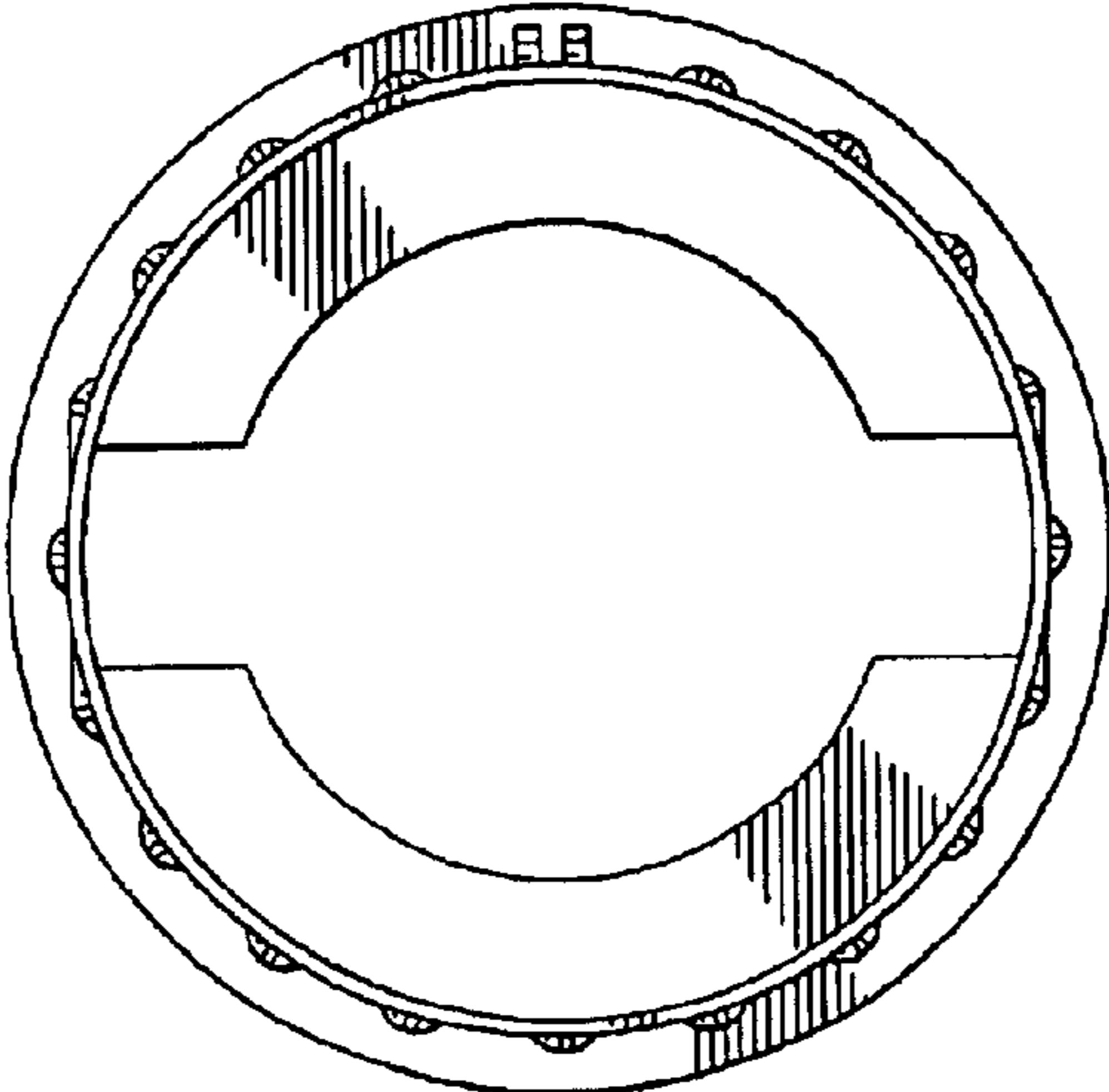


FIG. 2

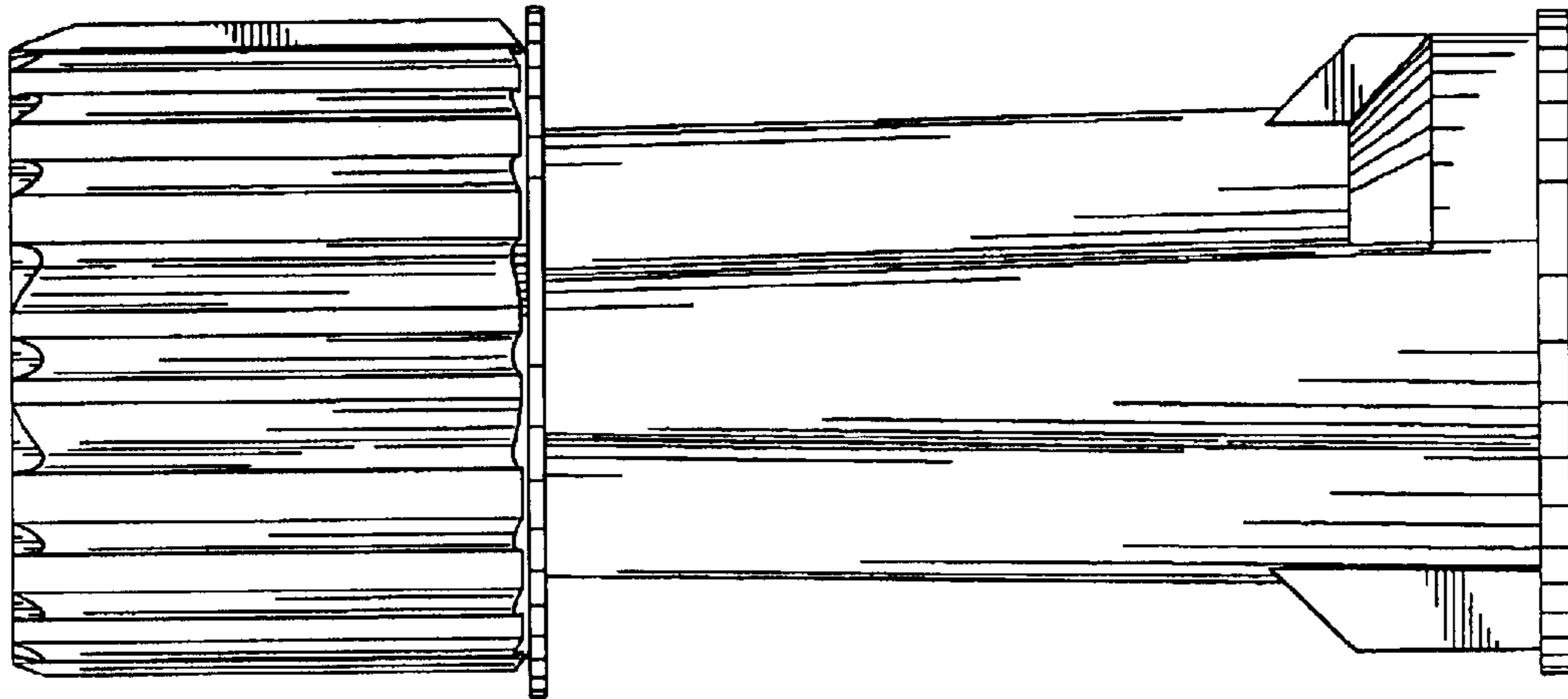


FIG. 3

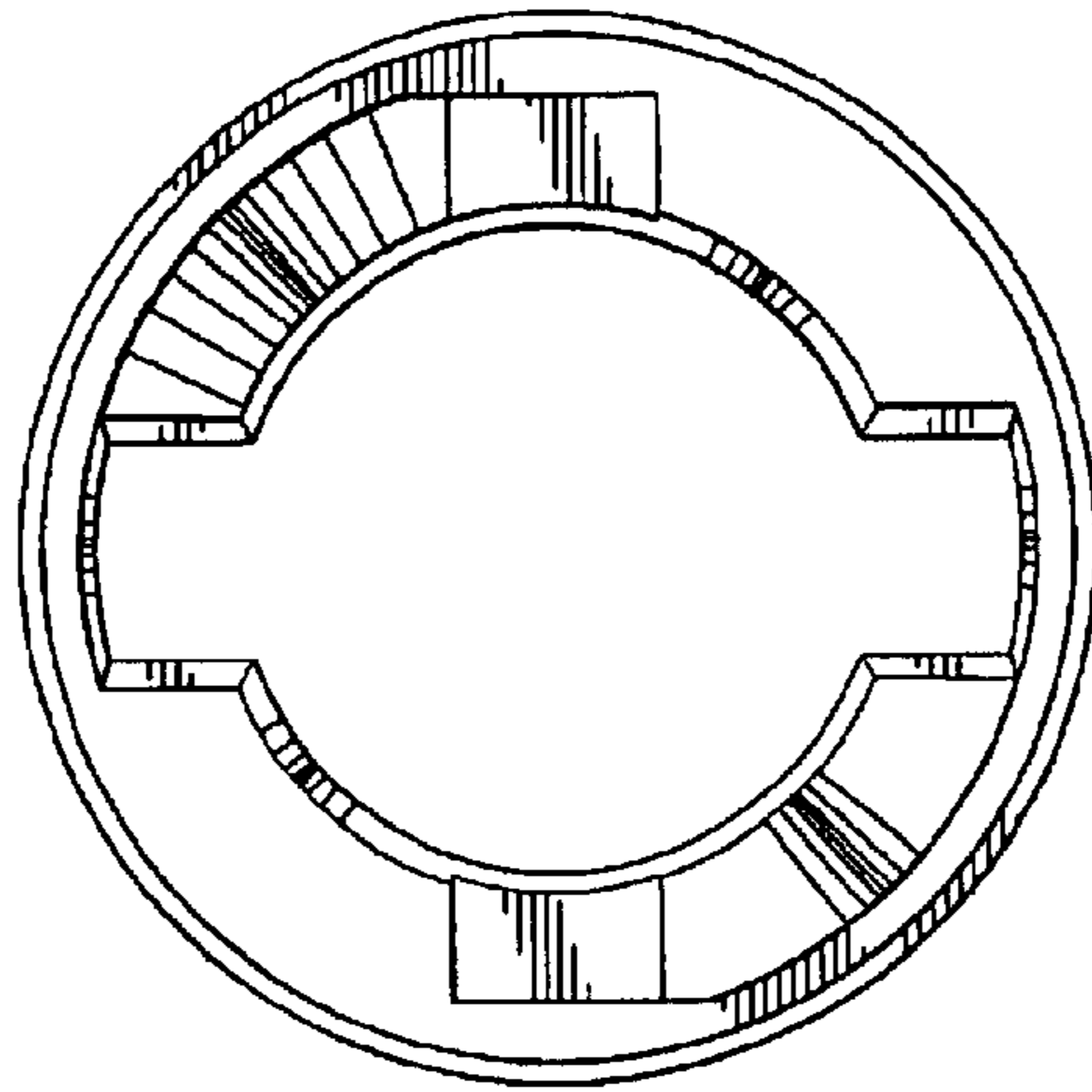


FIG. 4

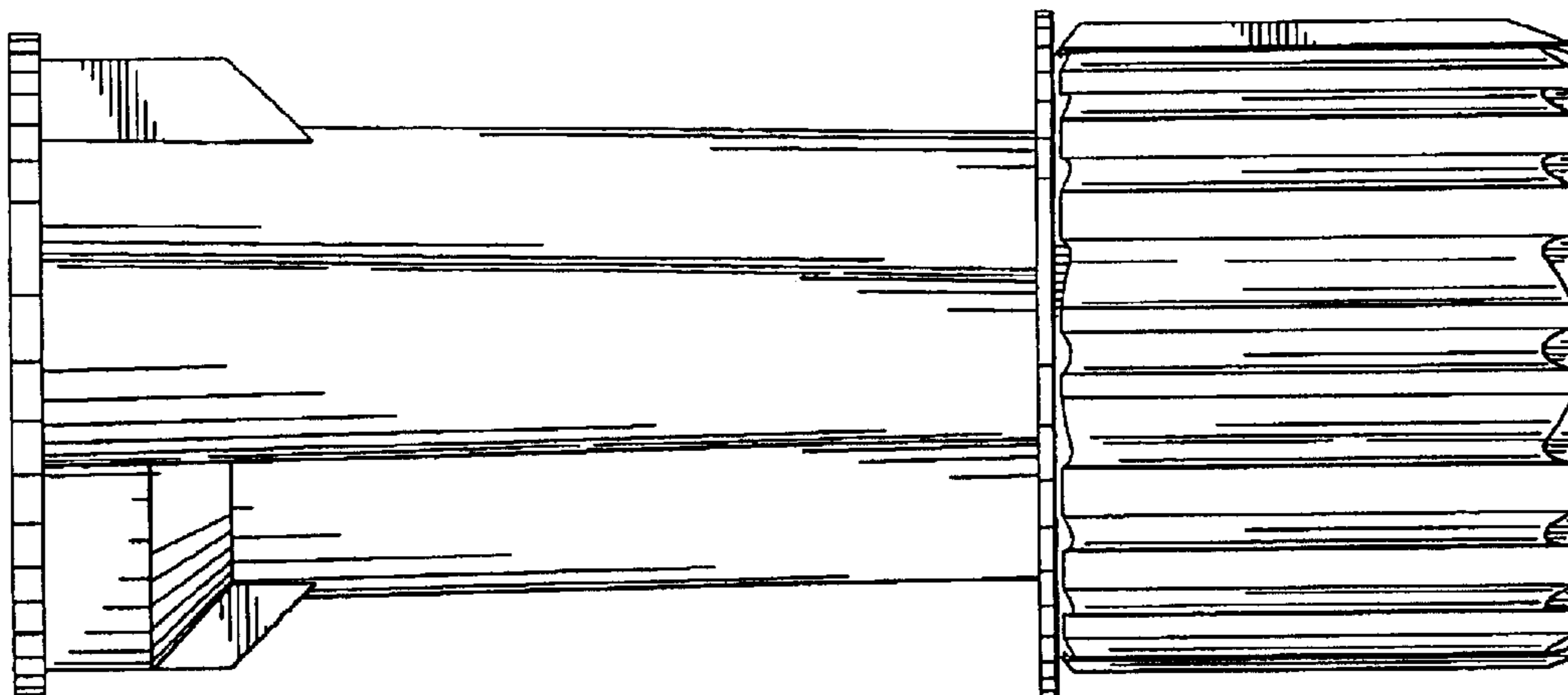


FIG. 5

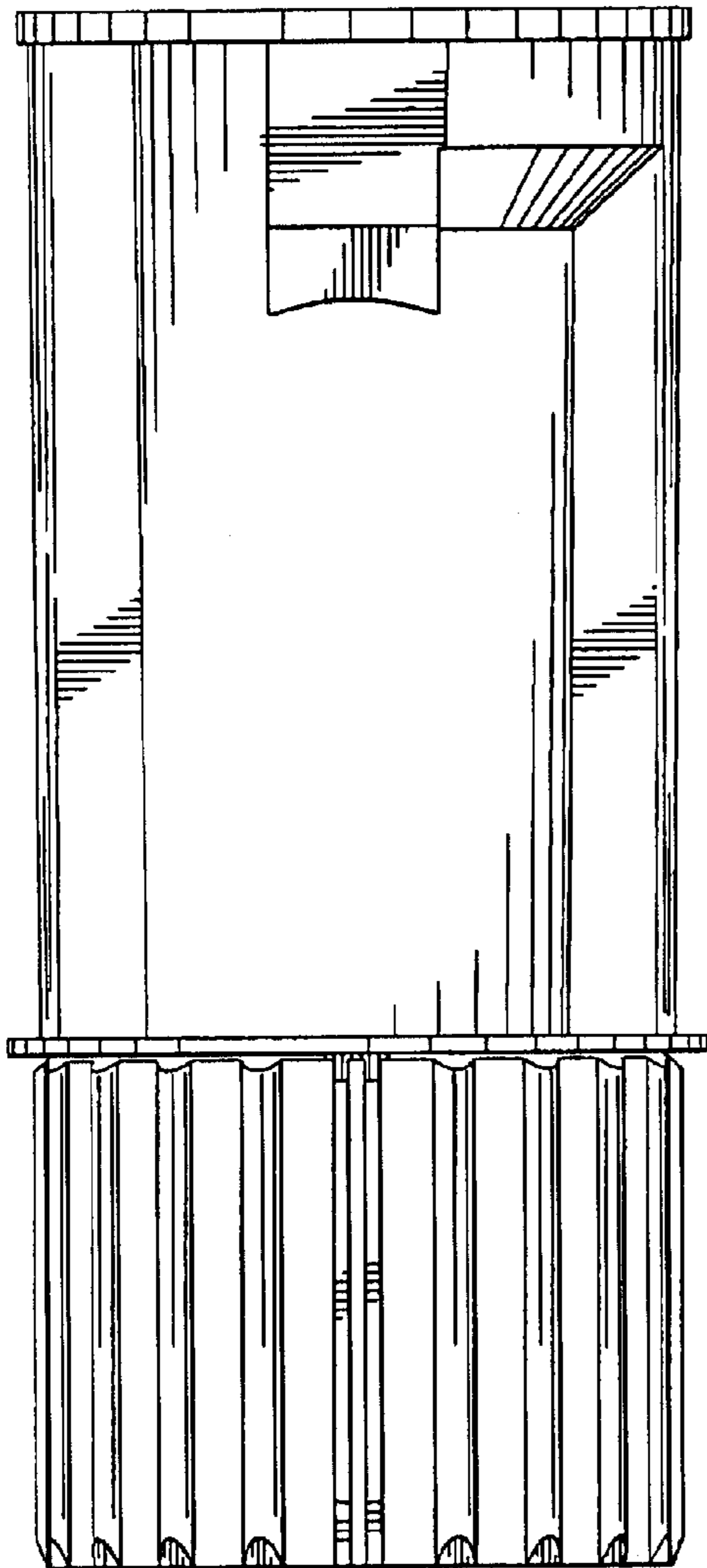


FIG. 6

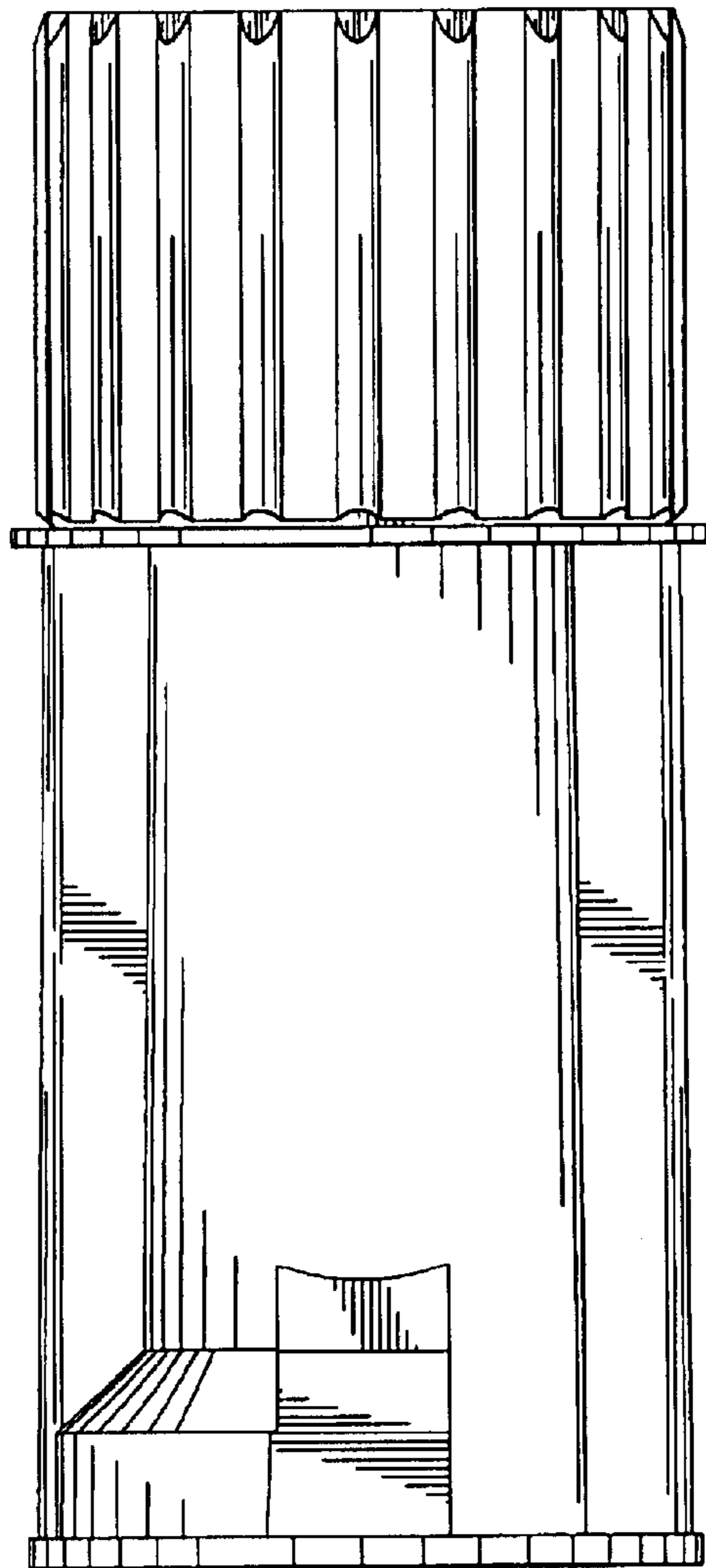


FIG. 7

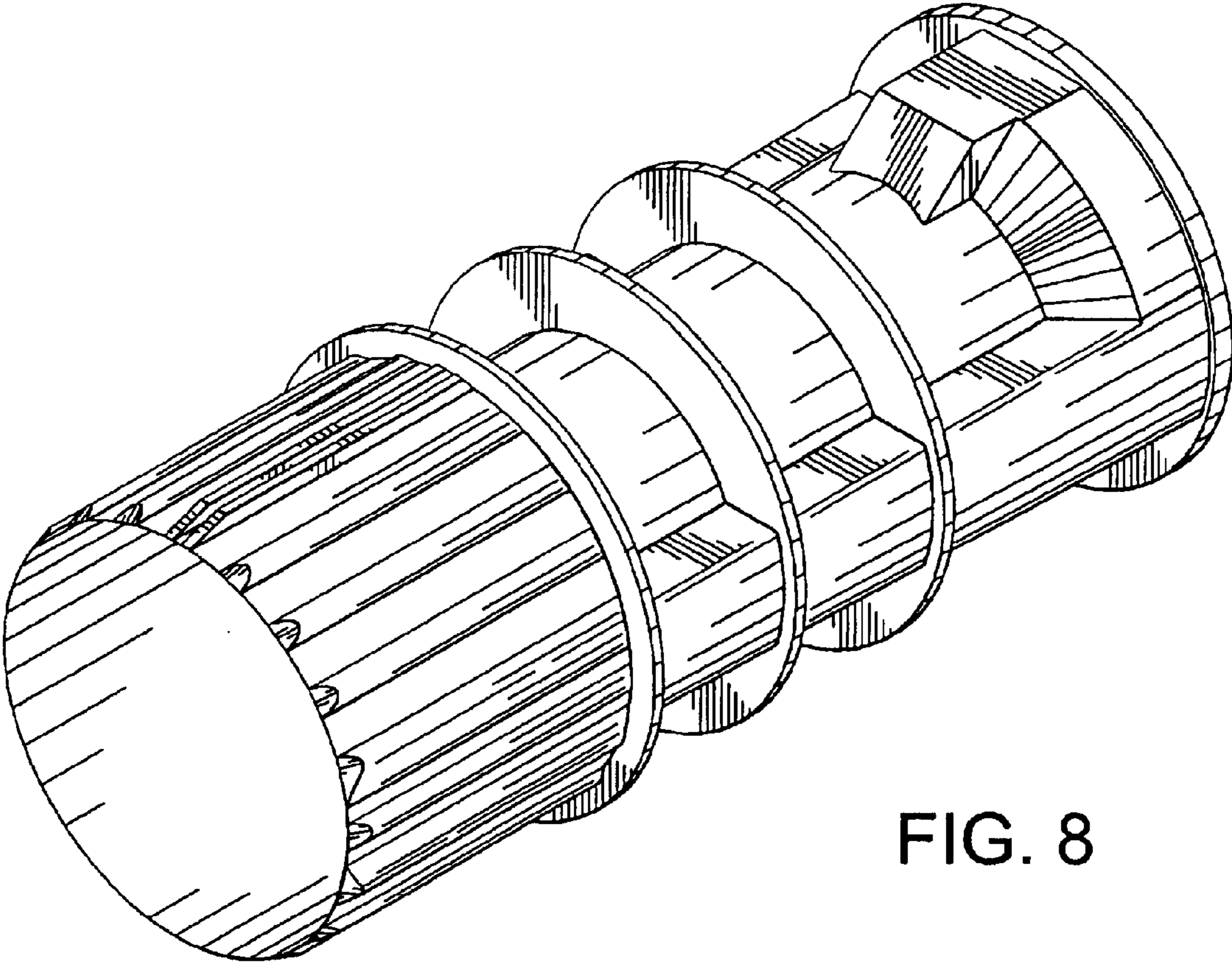


FIG. 8

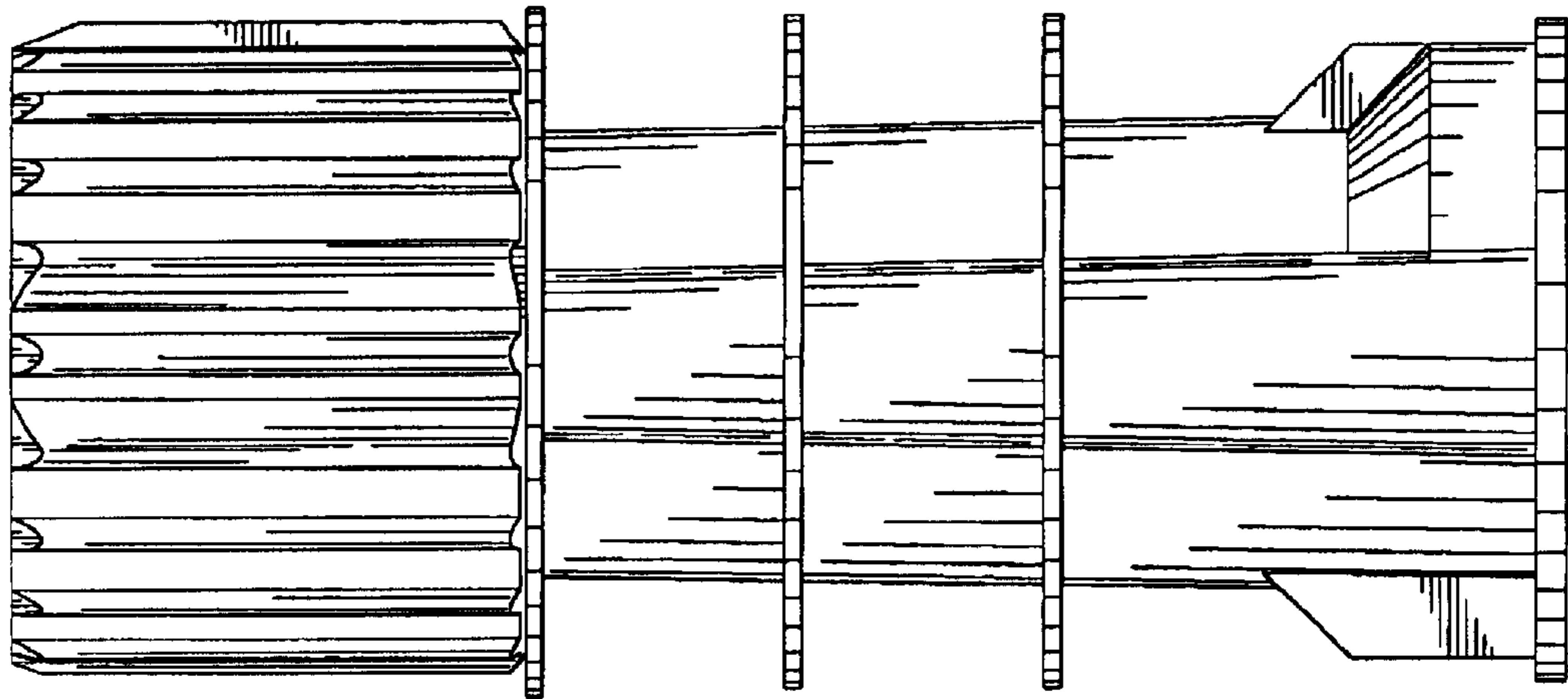


FIG. 9

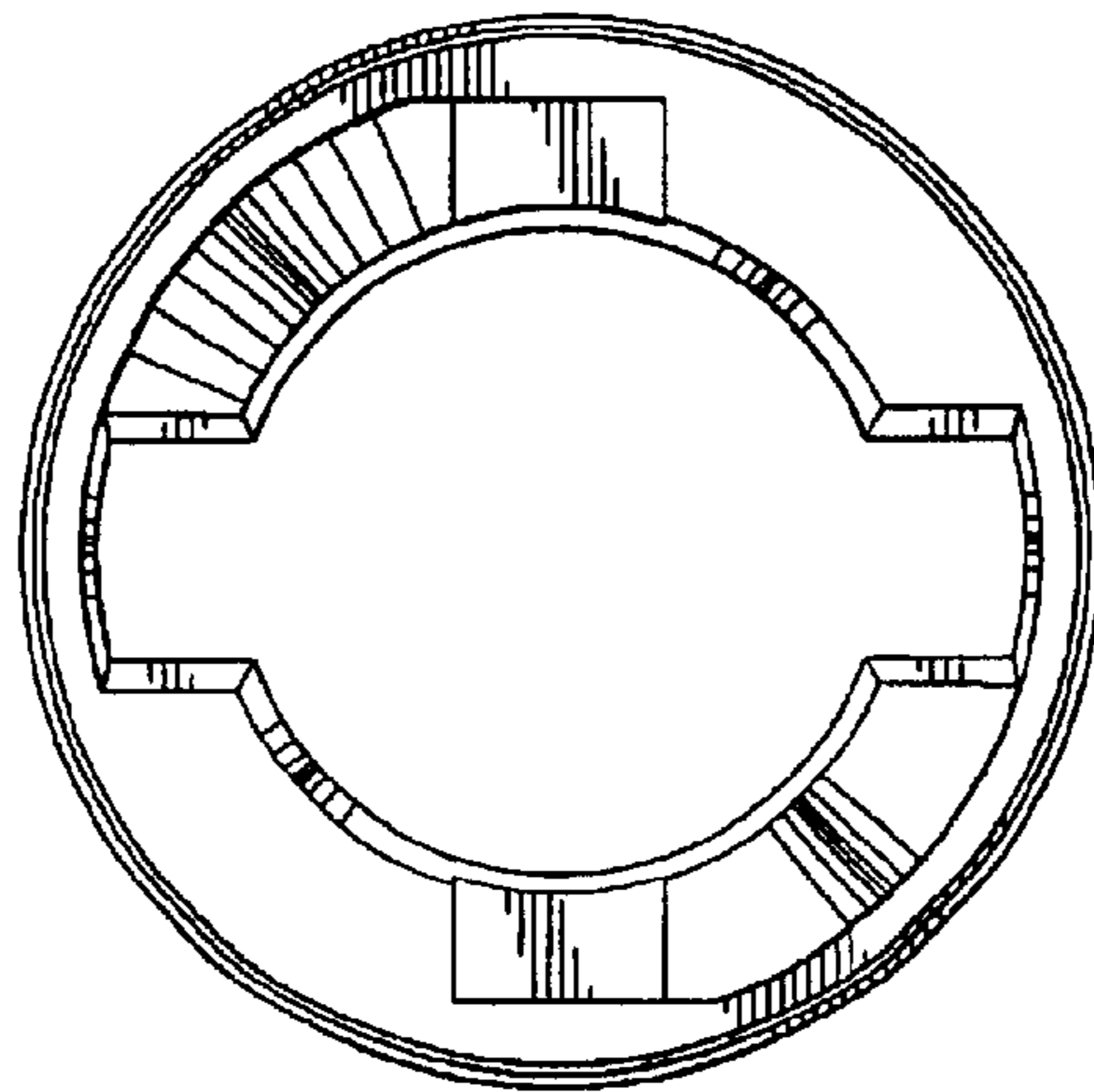


FIG. 10

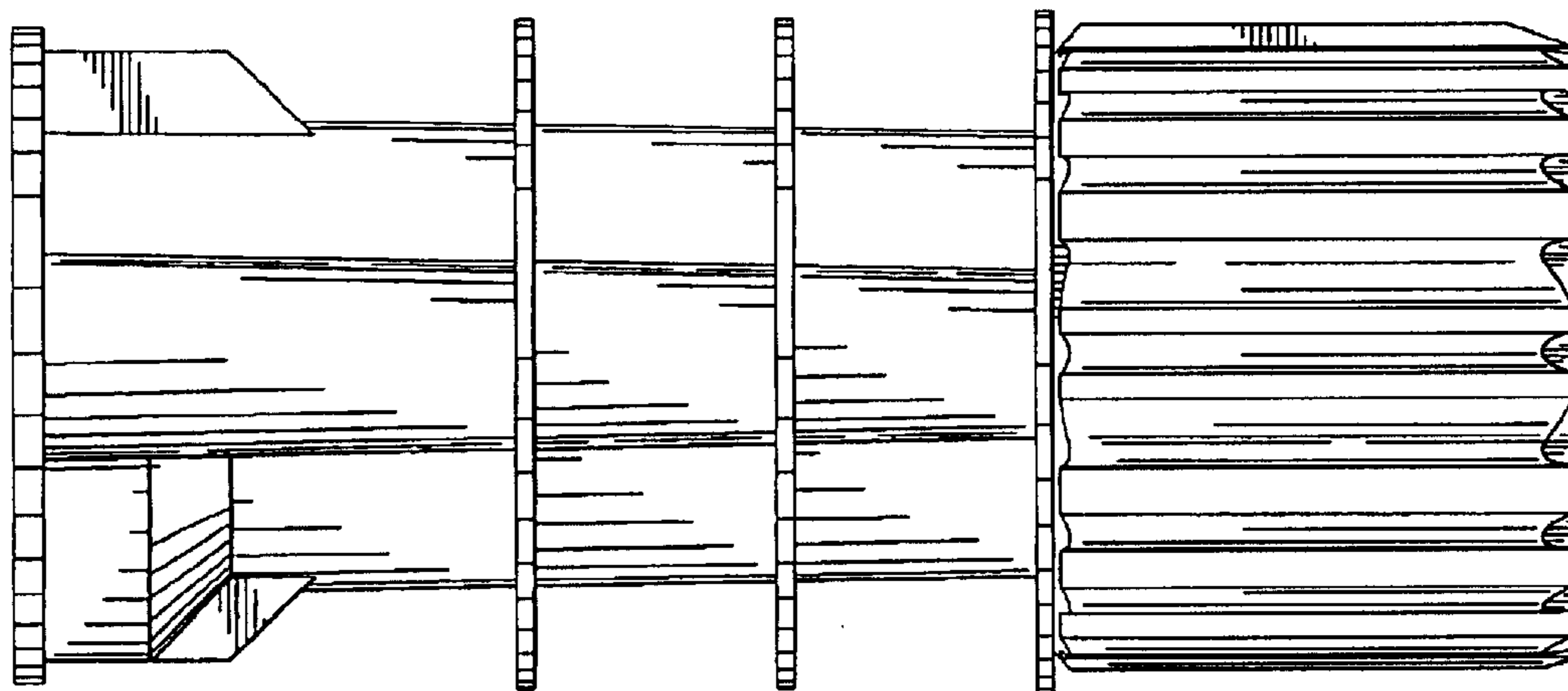


FIG. 11

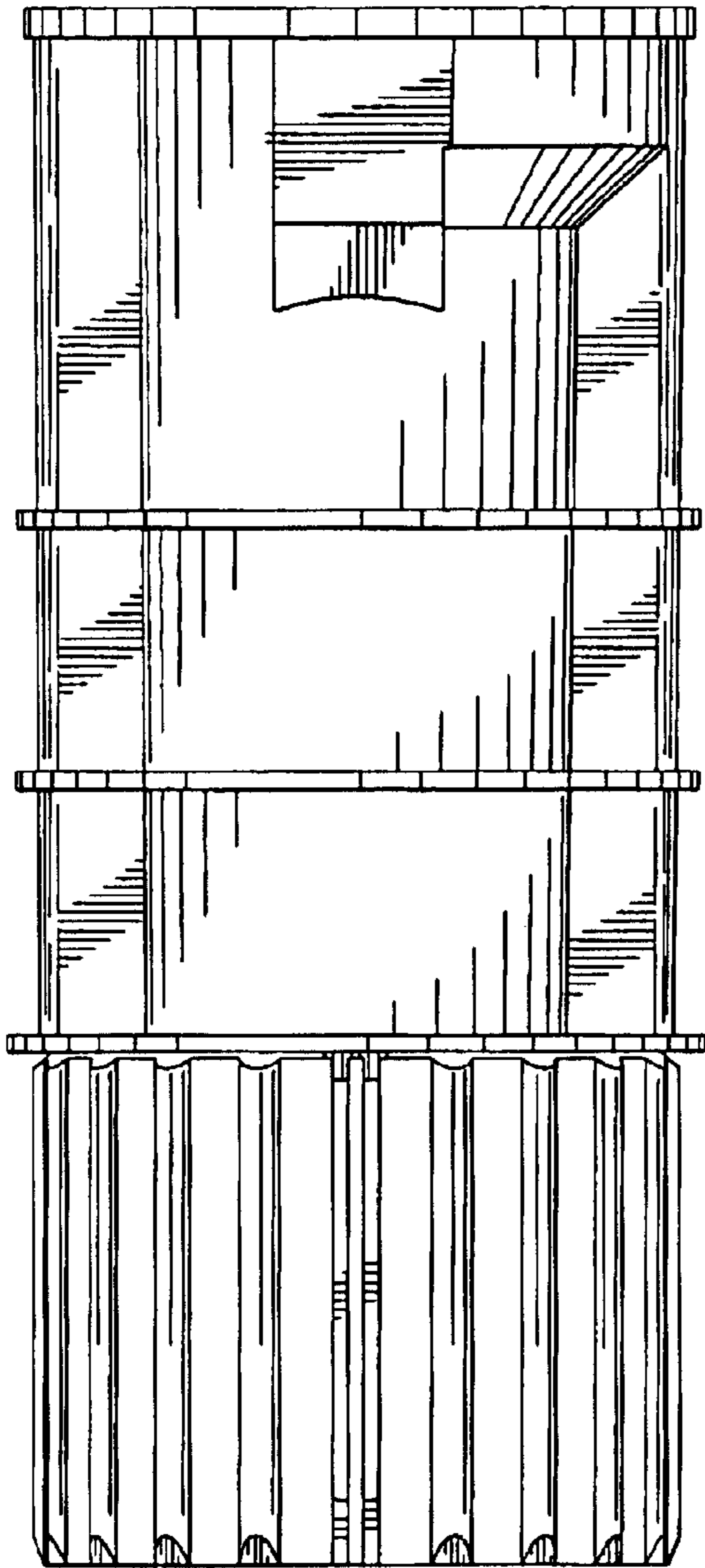


FIG. 12

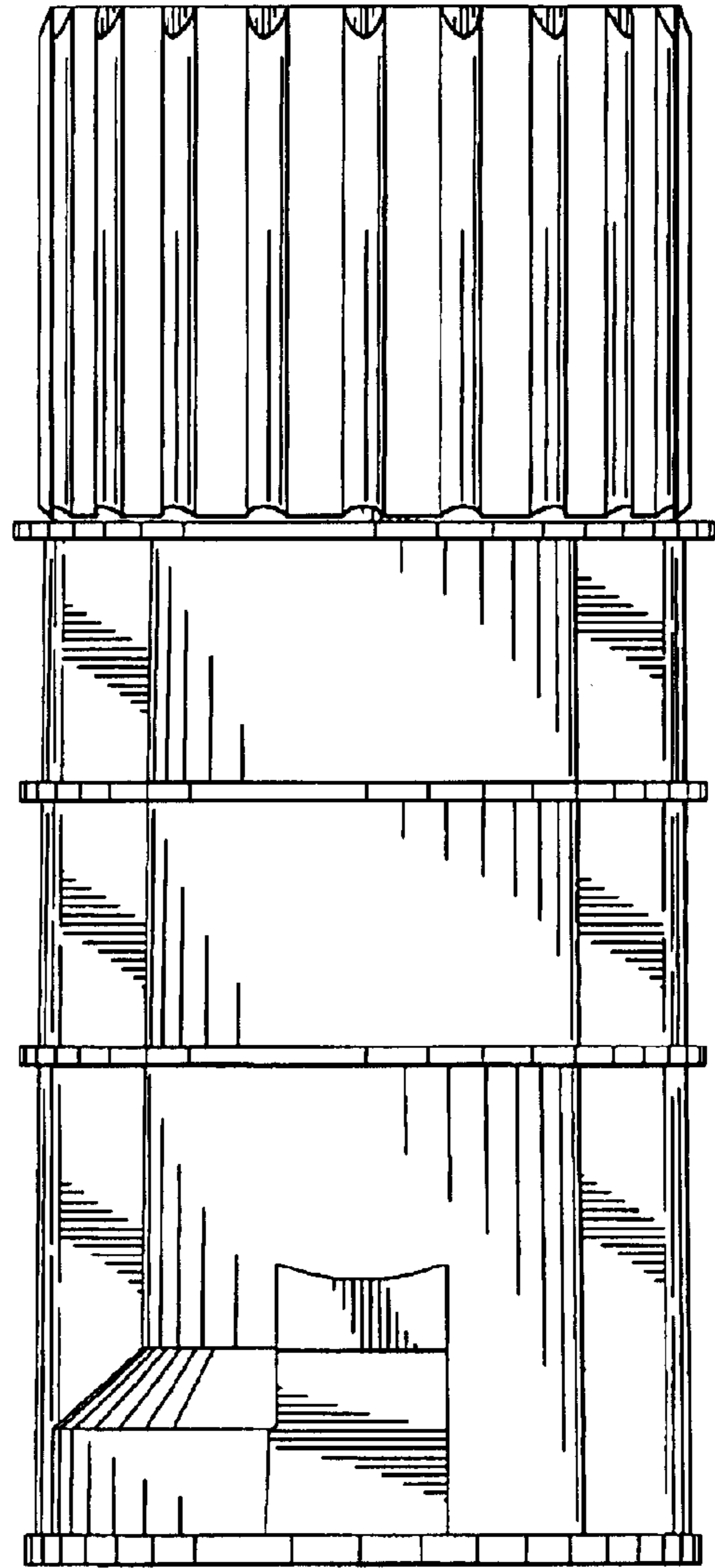


FIG. 13



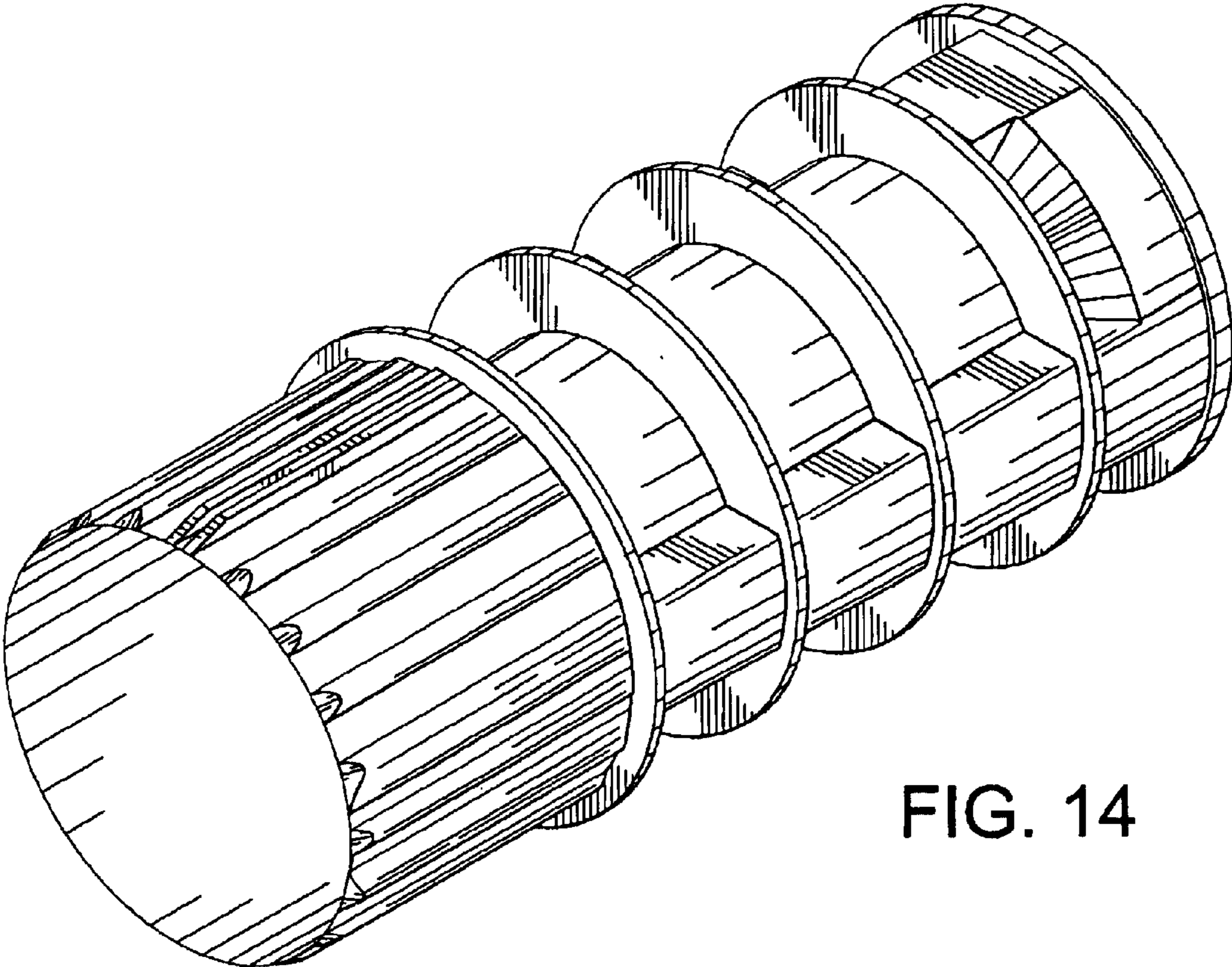


FIG. 14

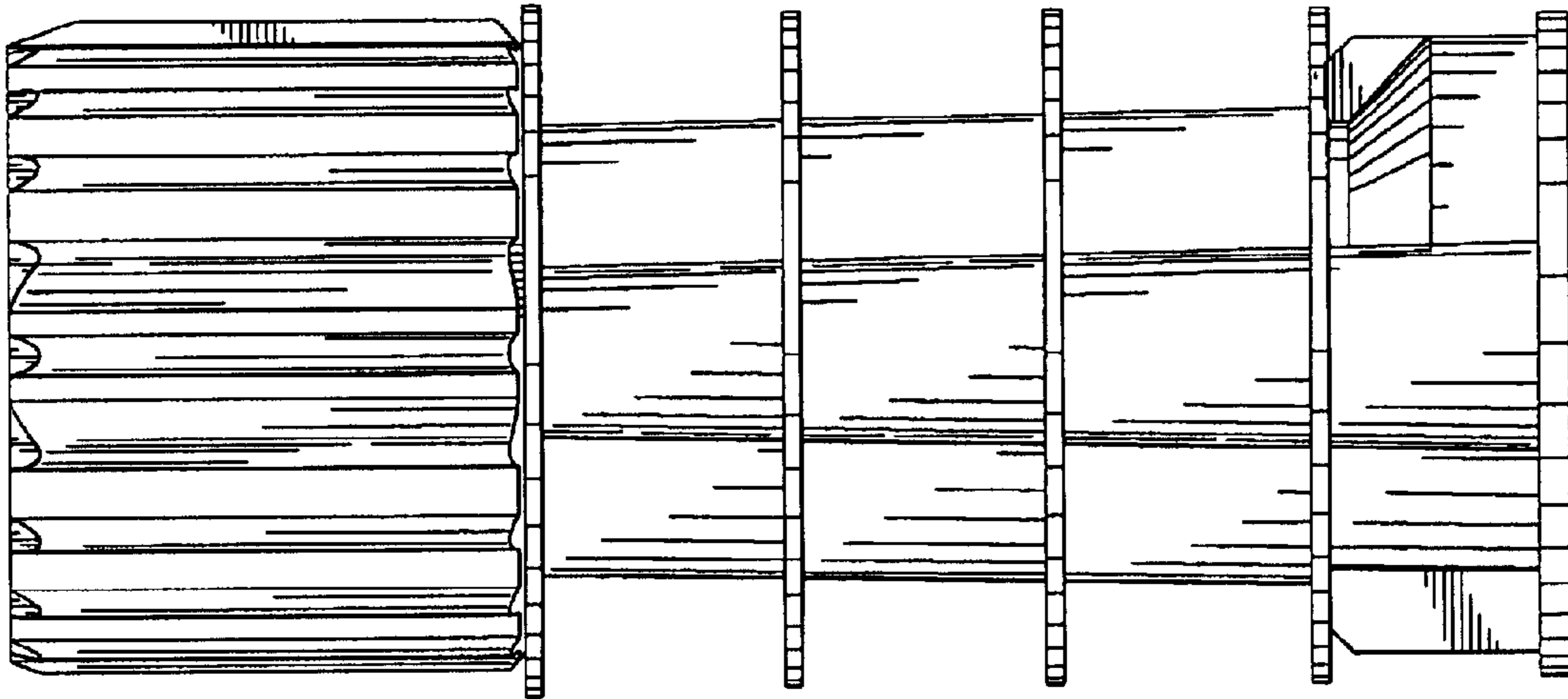


FIG. 15

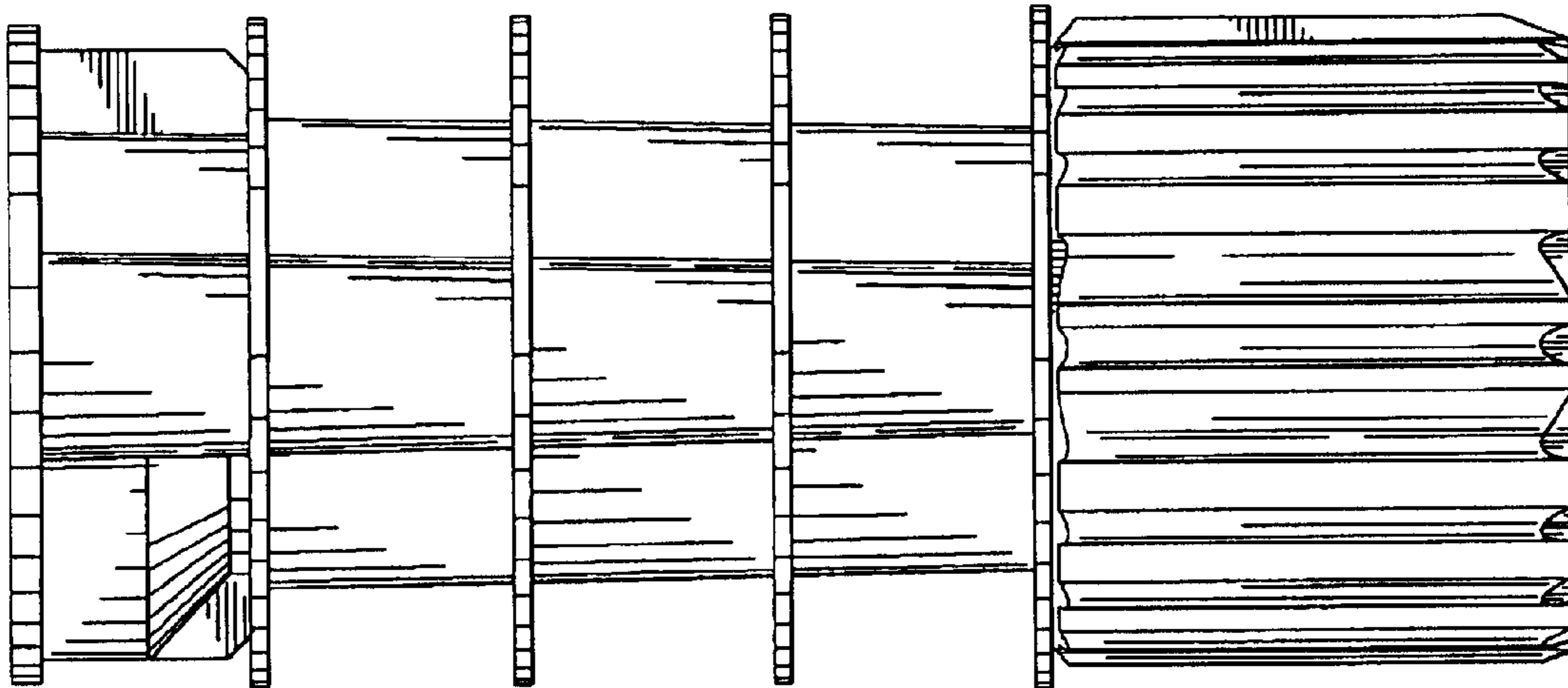


FIG. 16

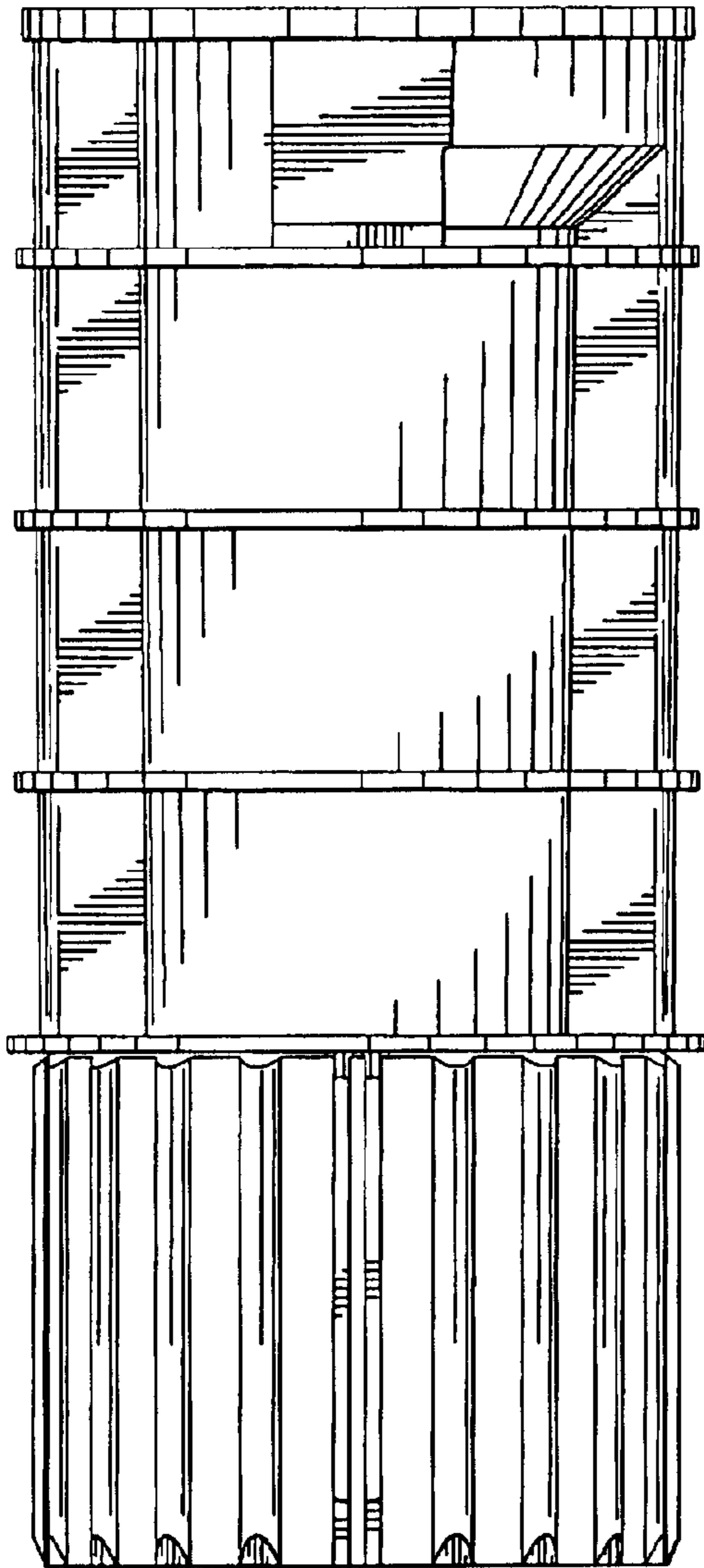


FIG. 17

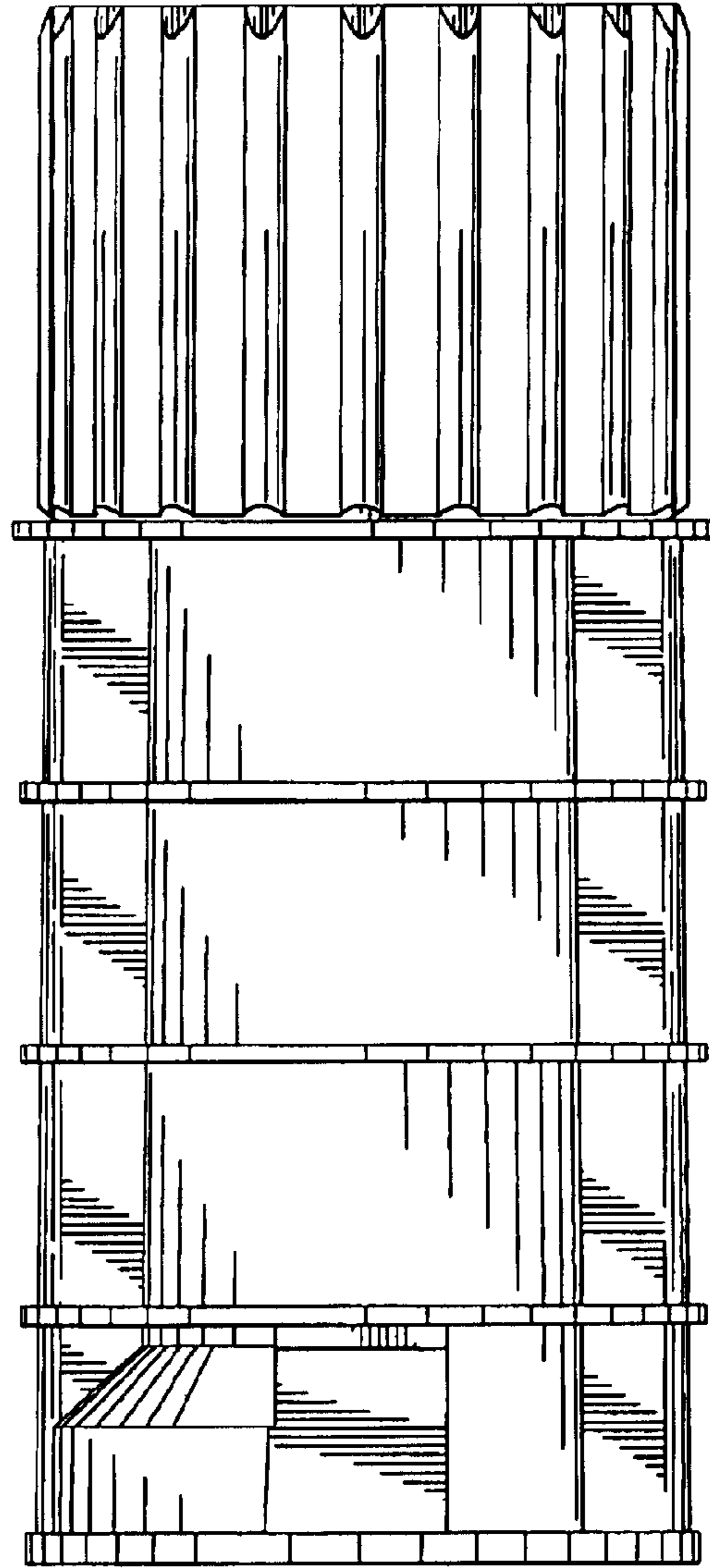


FIG. 18

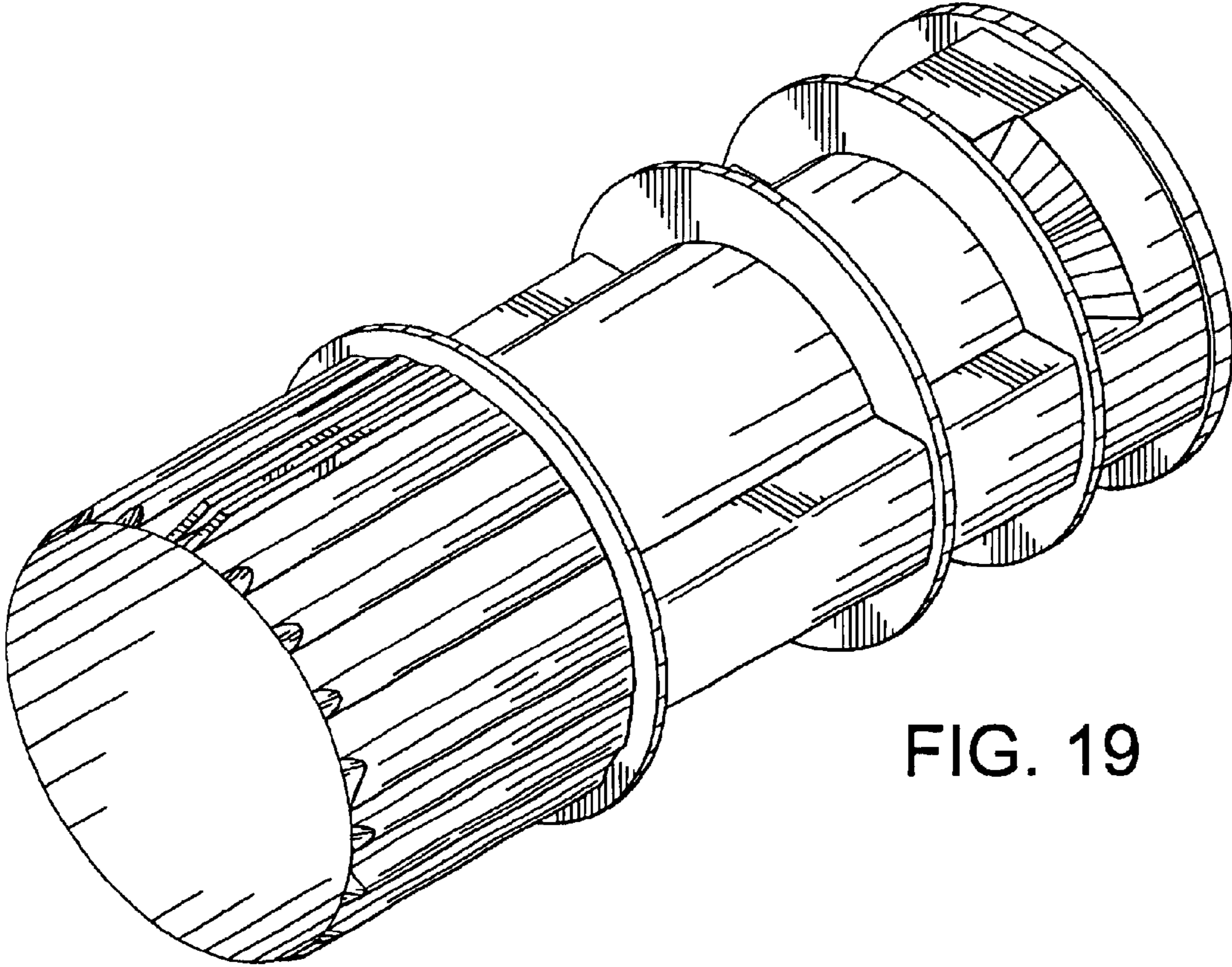


FIG. 19

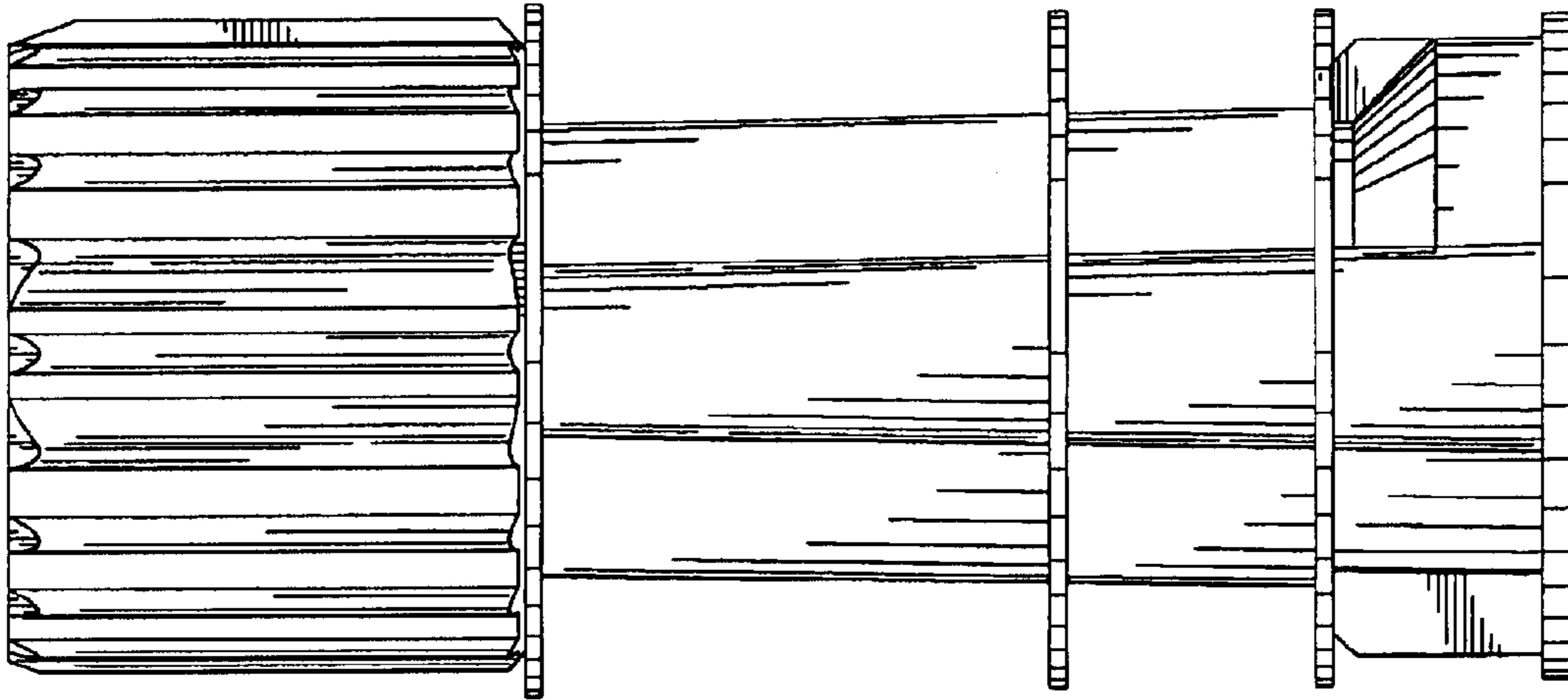


FIG. 20

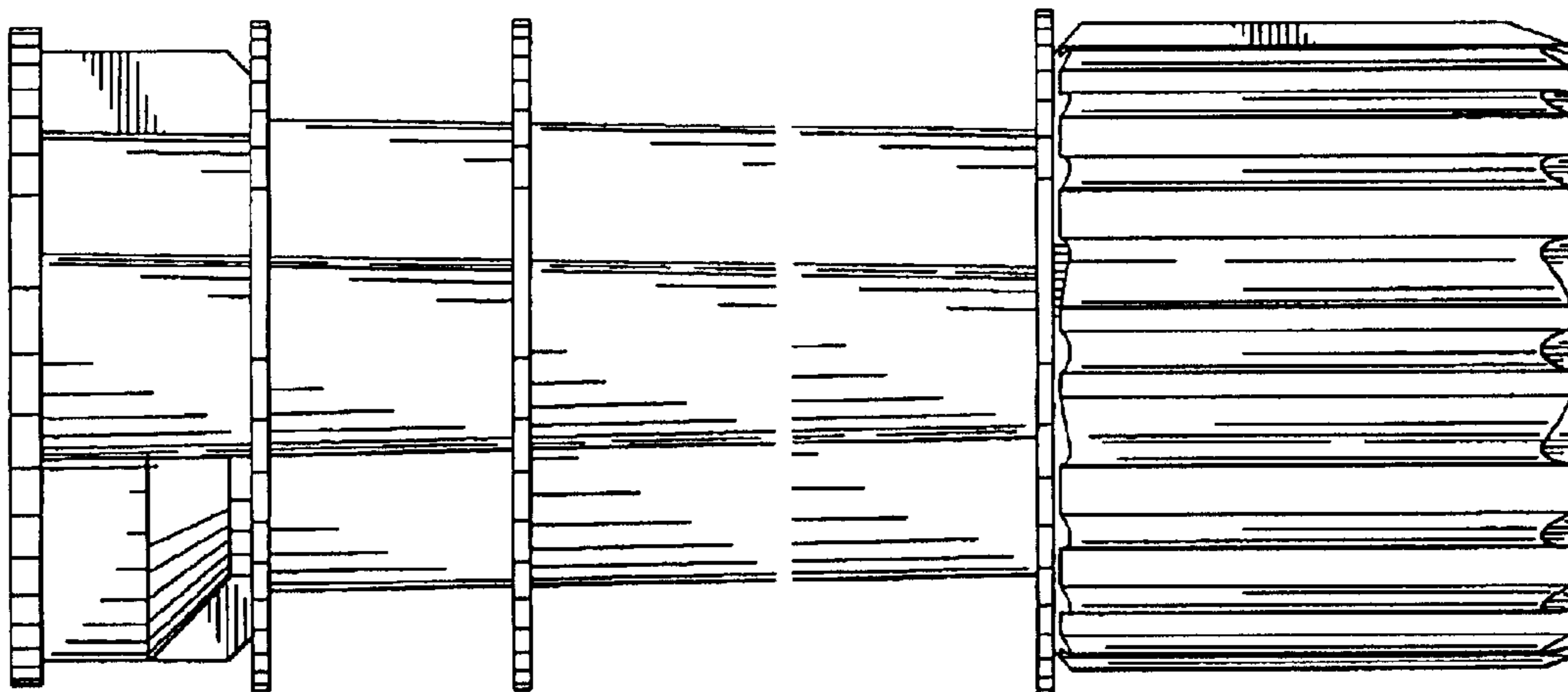


FIG. 21

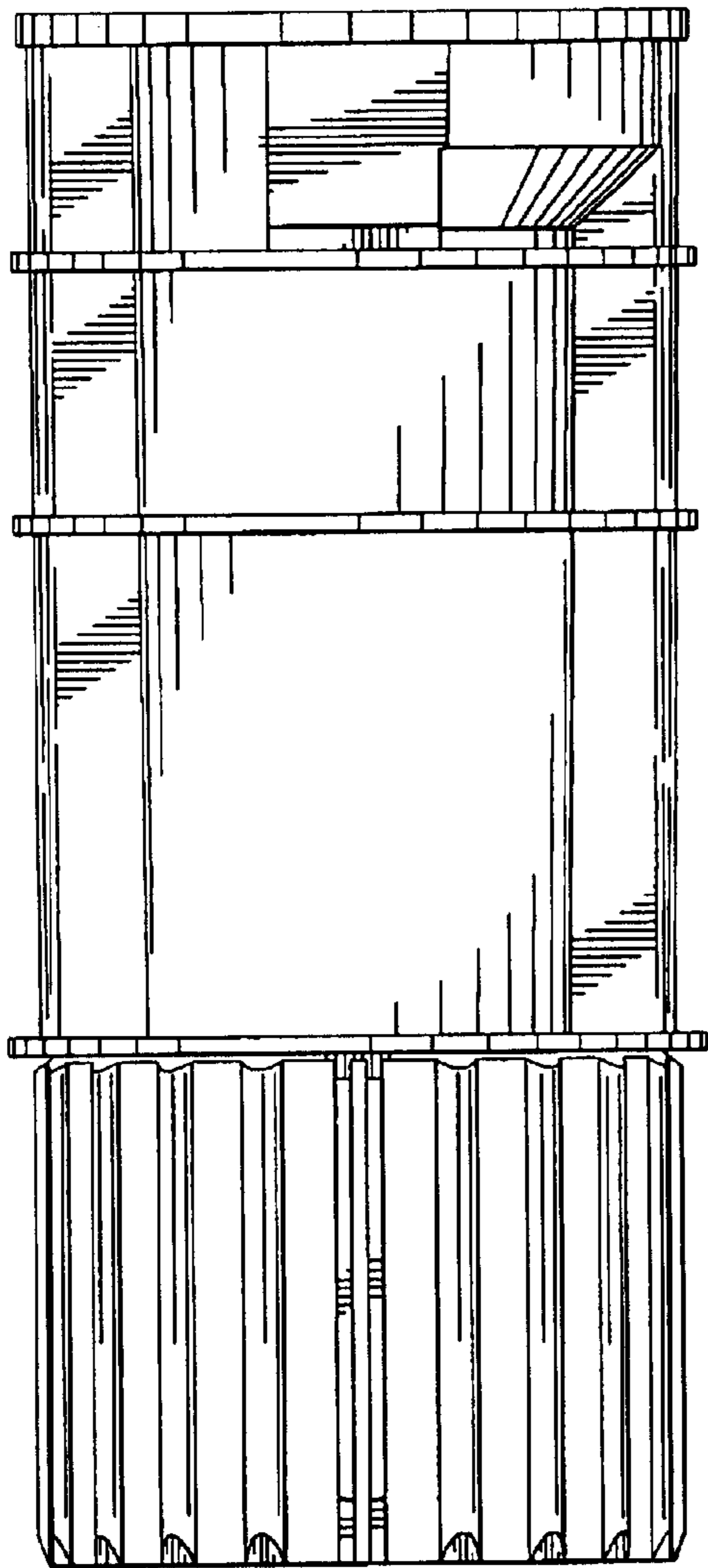


FIG. 22

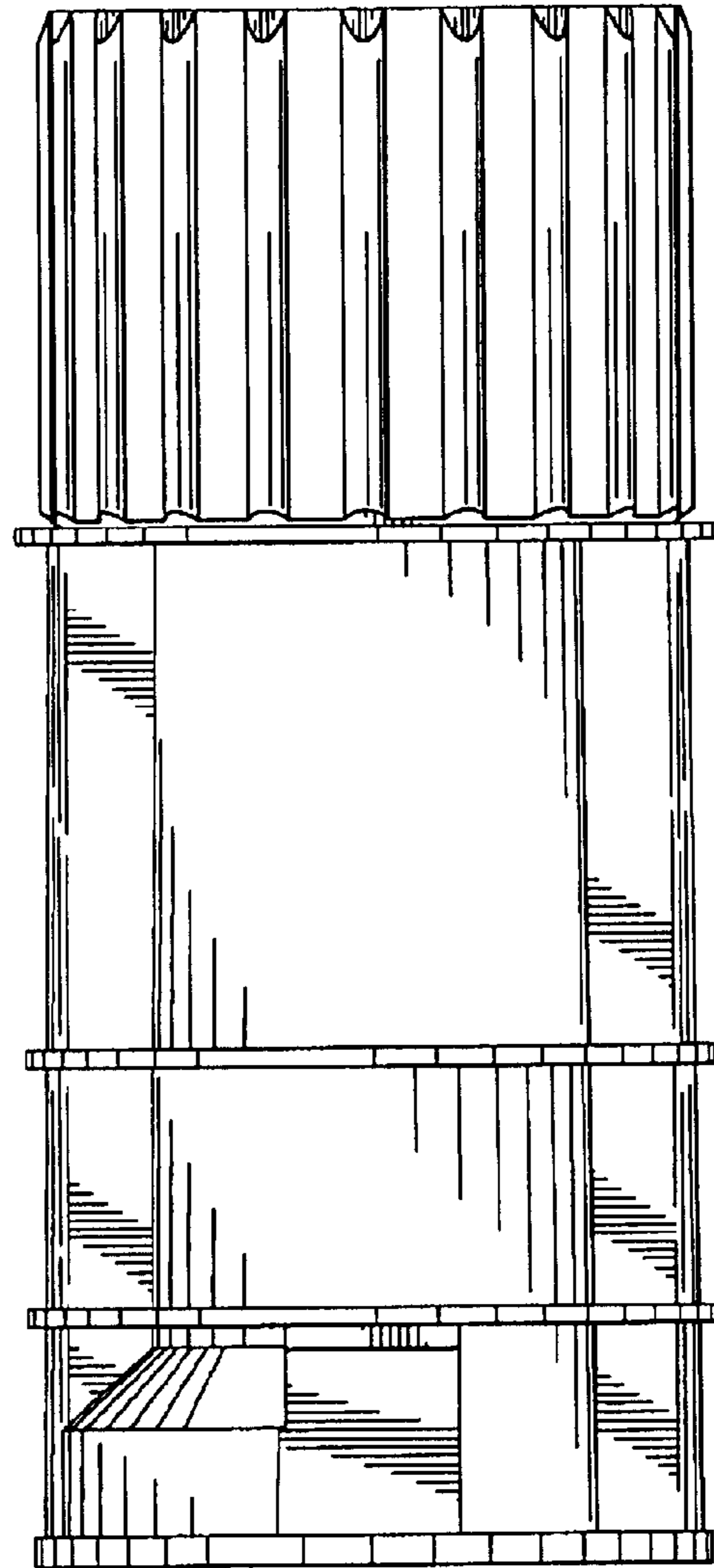


FIG. 23